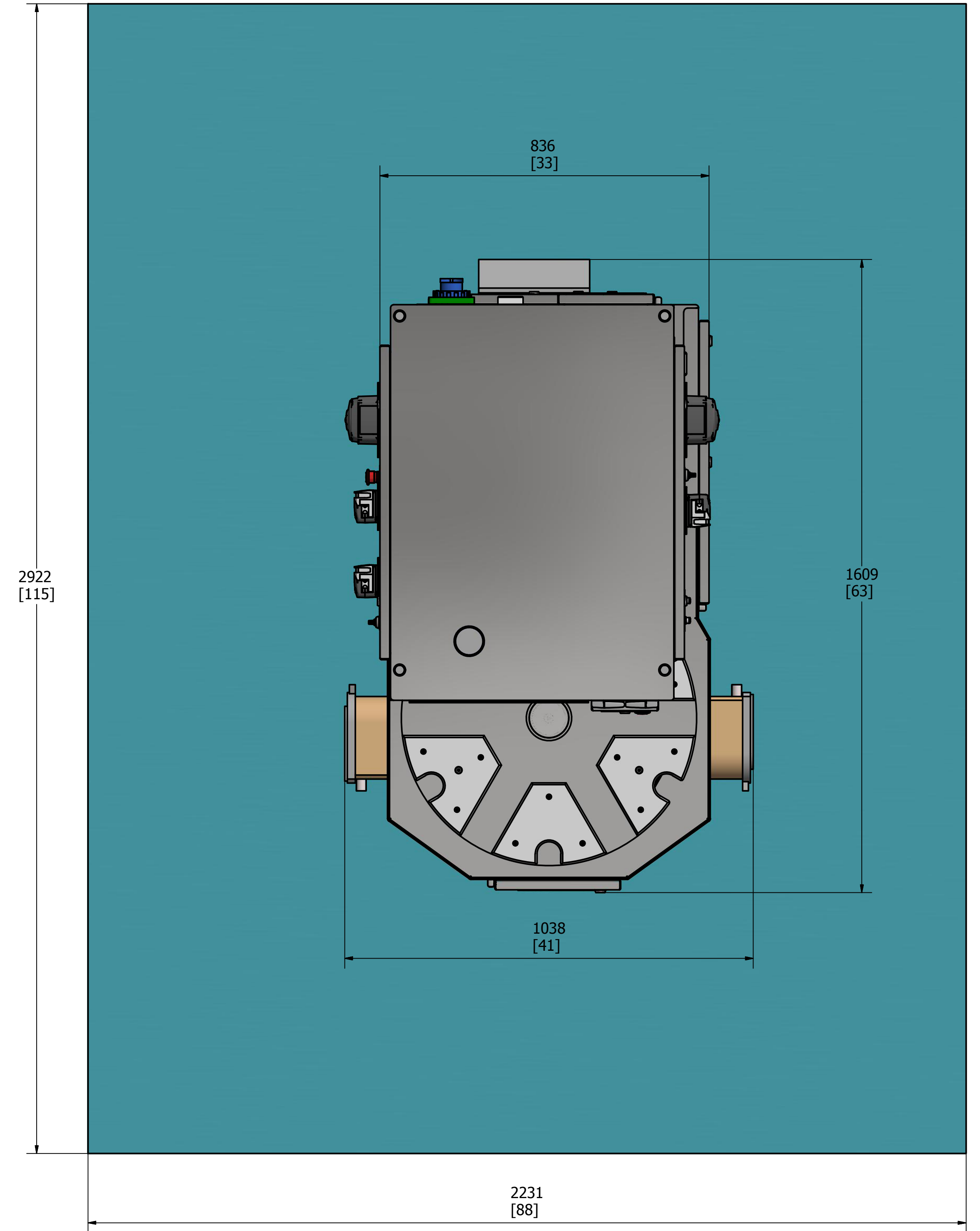
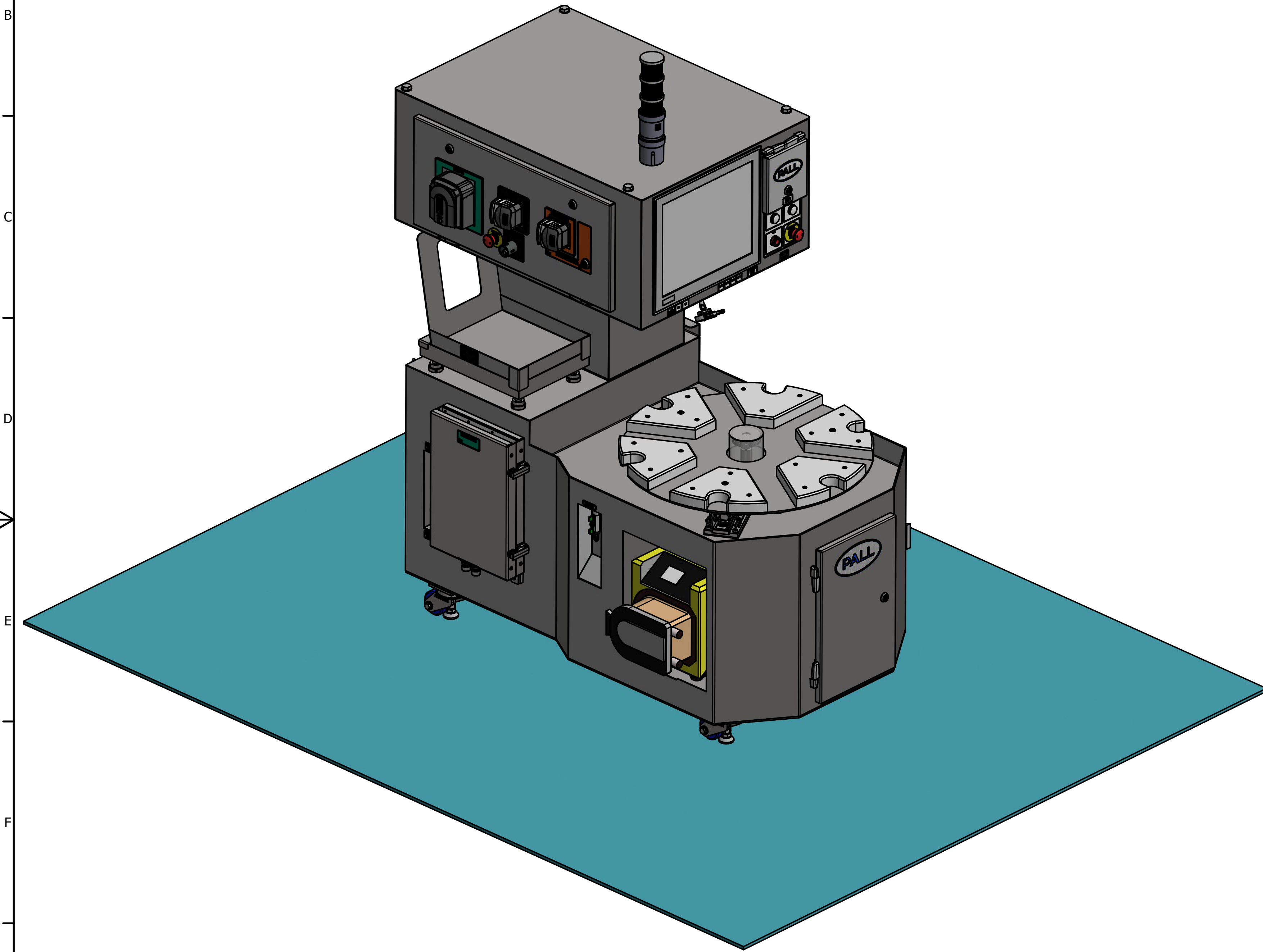


MINIMUM RECOMMENDED SPACE FOR THE ICELLIS 500+ CONTROL SYSTEM [mm] : 2922 X 2231
 [in] : [115] [88]



FOOT PRINT

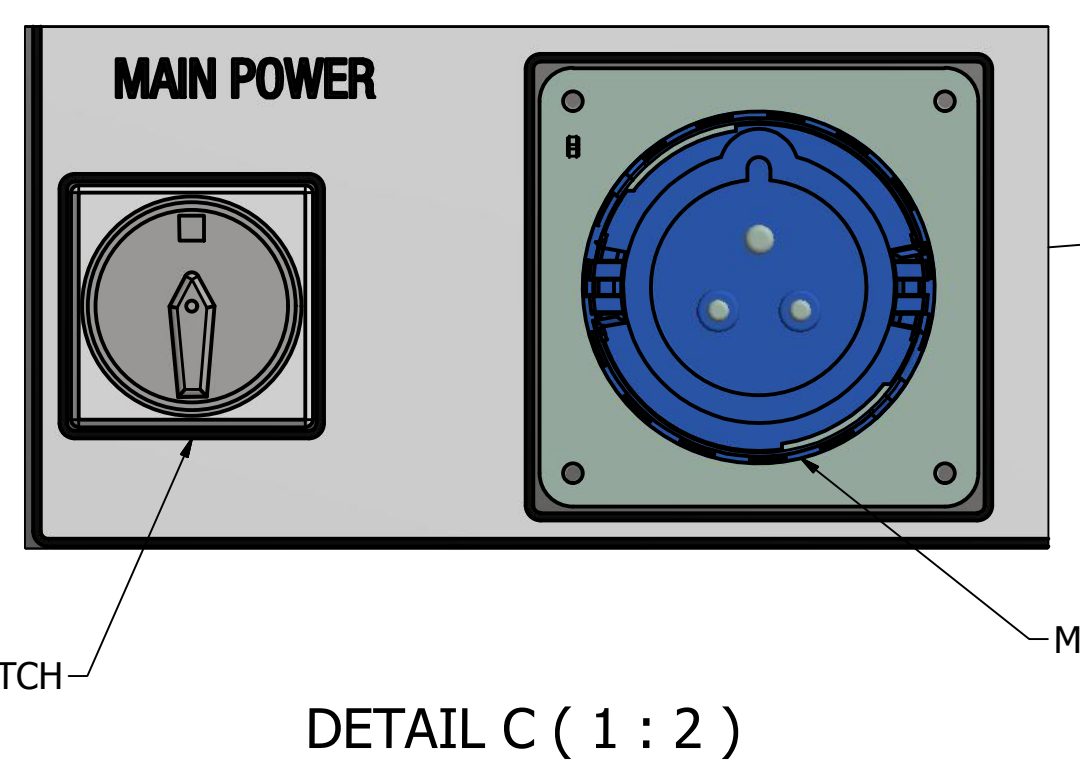
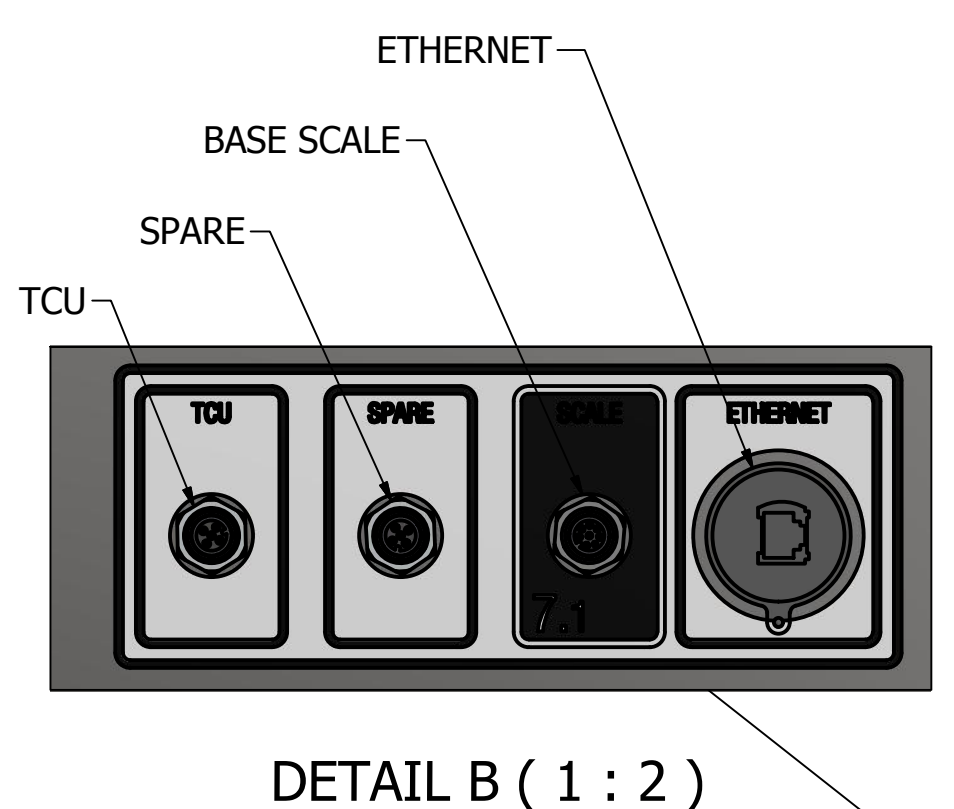
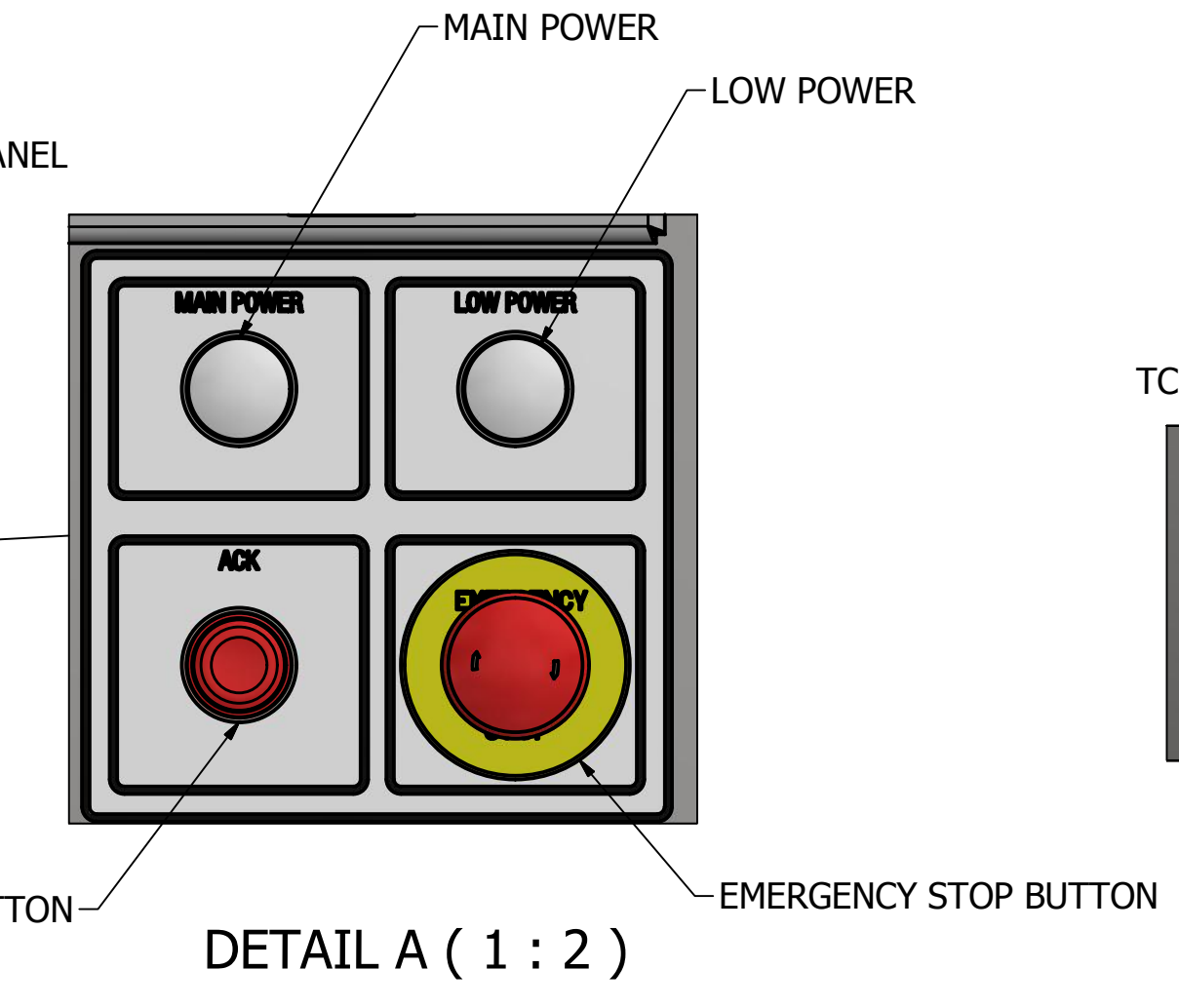
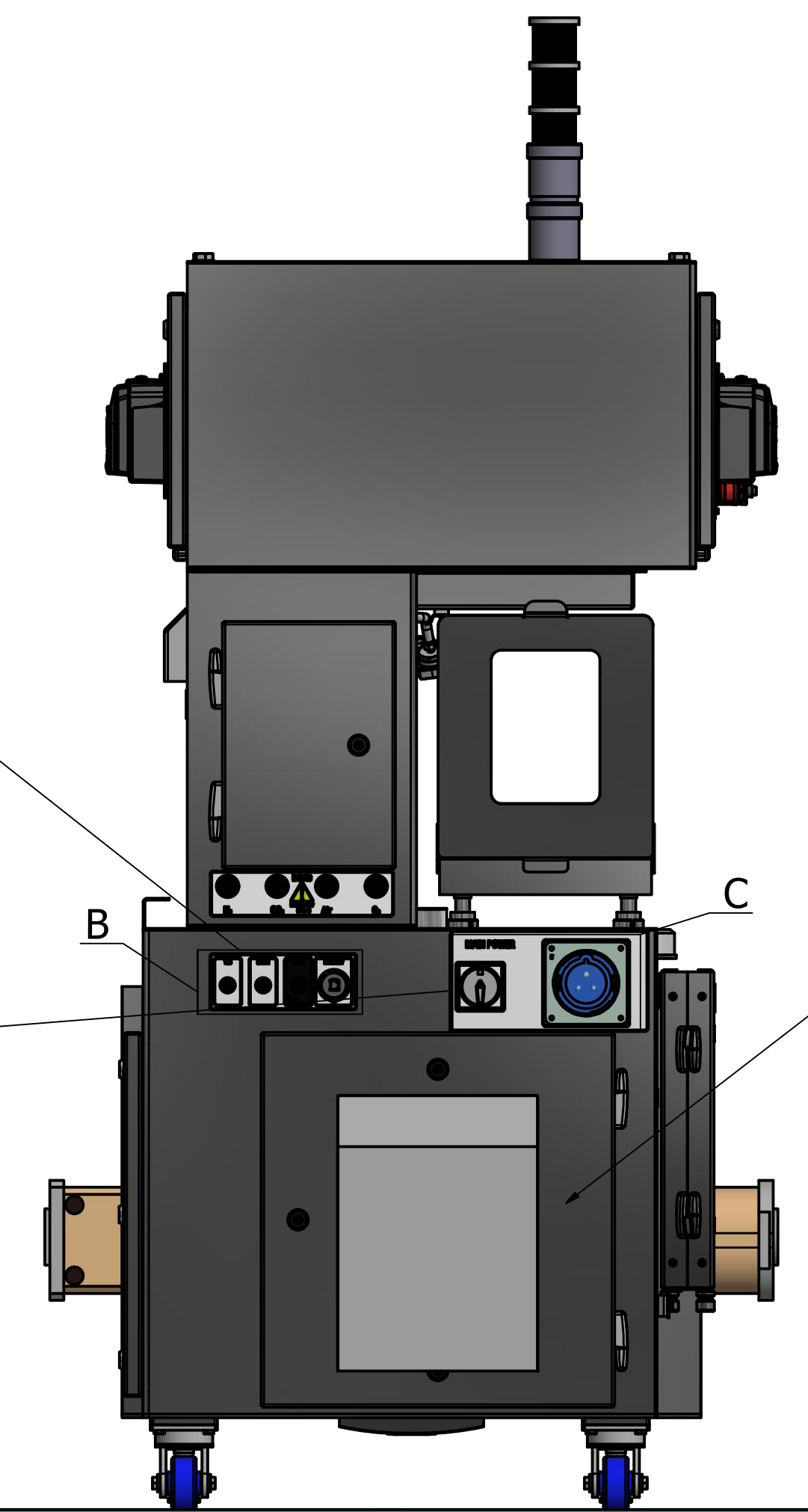
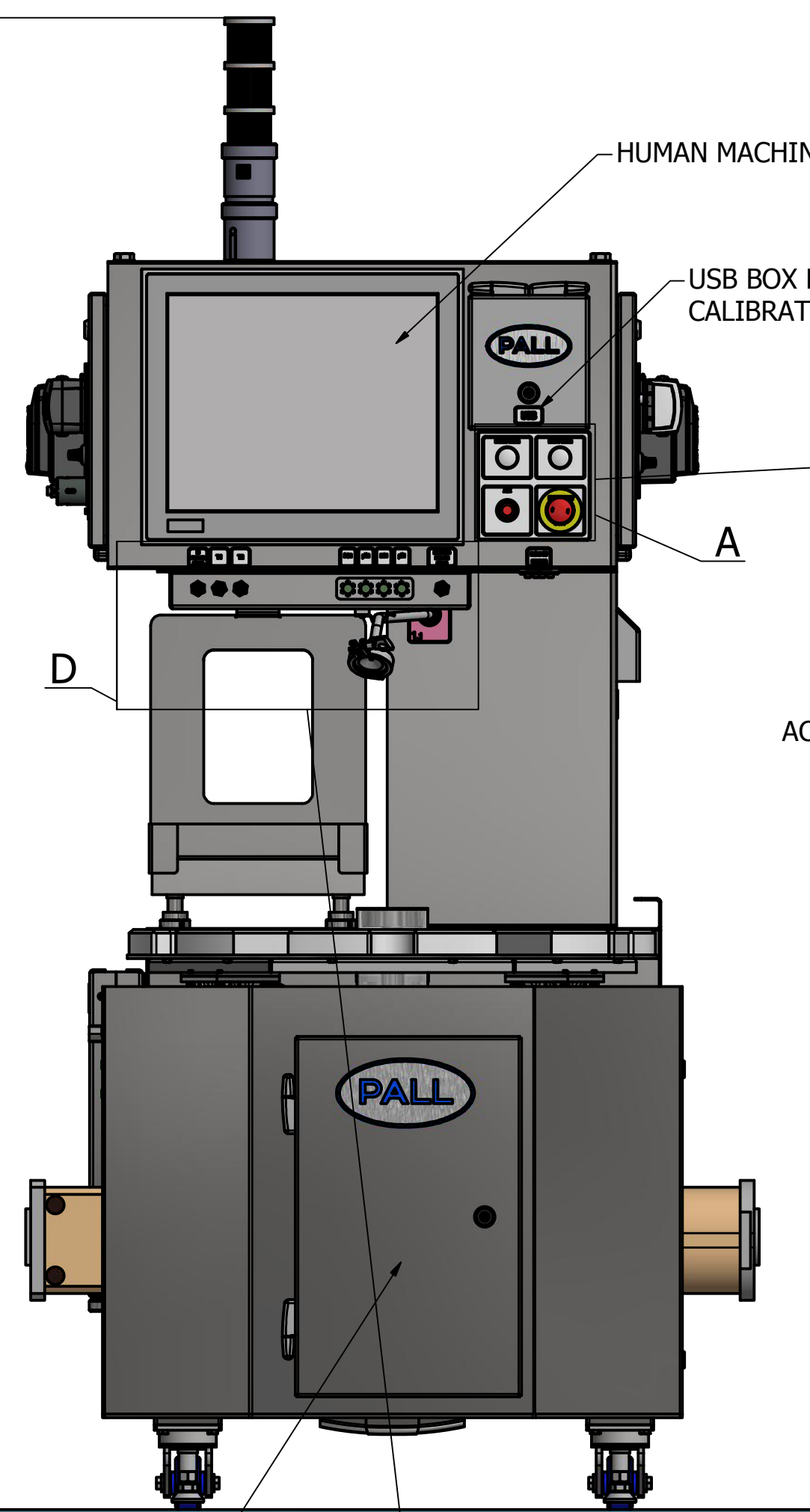
NOTES:

- ELECTRICAL REQUIREMENT:
 - 208/230VAC - 50/60HZ
 - MAX POWER CONSUMPTION: 4000W
 - POWER CABLES INCLUDED IN ICL500CSSSIP:
 - NEMA L6-30P
 - 2P+E 32A
- MAIN CONSTRUCTION MATERIAL: SS 316L & SS 304
- WEIGHT:
 - 650KG (EXCLUDING OPTIONAL HIGH FLOW FILL AND DRAIN PUMPS, MANIFOLDS, BIOREACTOR)
 - OPTIONAL HIGH FLOW FILL AND DRAIN PUMPS ARE NOT INCLUDED IN ICL500CSSSIP.
 - A SEPARATE PART NUMBER IS USED FOR BOTH PUMPS: ICL500HFLPUMP
- THERMAL CONTROL UNIT (TCU) IS NOT INCLUDED IN ICL500CSSSIP. A SEPARATE PART NUMBER IS USED:
 - ICL500TCU120 FOR 120VAC - 60HZ
 - ICL500TCU230 FOR 230VAC - 50HZ
- CONTROLLER UNIT, CRATE DIMENSIONS : 2135(H) X 1120(W) X 1760(L) APPROX. WEIGHT 850 KG
- ACCESSORIES, CRATE DIMENSIONS : 1800(H) X 800(W) X 1200(L) APPROX. WEIGHT 300 KG
- IP RATING : IP-55

DRAWN	© 2018 PALL CORPORATION	ALL DIMENSIONS IN MILLIMETRES (INCHES) DO NOT SCALE DRAWING	TOLERANCE: mm (in)		NAME	DATE	iCELLis 500+ CONTROLLER
			RANGE	TOLERANCE			
CHECKED	This document may contain confidential technical data, including trade secrets proprietary to Pall Corporation and/or one or more of its affiliated companies ("PALL"). The document, design rights and all other disclosures in this document are the property of PALL. Unauthorized sale, copying, distribution to third parties, manufacture or reproduction in whole or in part is prohibited.	THIRD ANGLE PROJECTION	0 [0] - 100 [4]	± 2 [±0.08]	CHECKED BY	3/07/2018	PROJECT NUMBER
			100 [4] - 500 [20]	± 5 [±0.2]	APPROVED BY	3/07/2018	
			> 500 [20]	± 10 [±0.4]			PART NUMBER
			TYPICAL FINISH: Ra				ICL500CSSSIP
							SHEET 1/8
							ISS. A04

FRONT VIEW

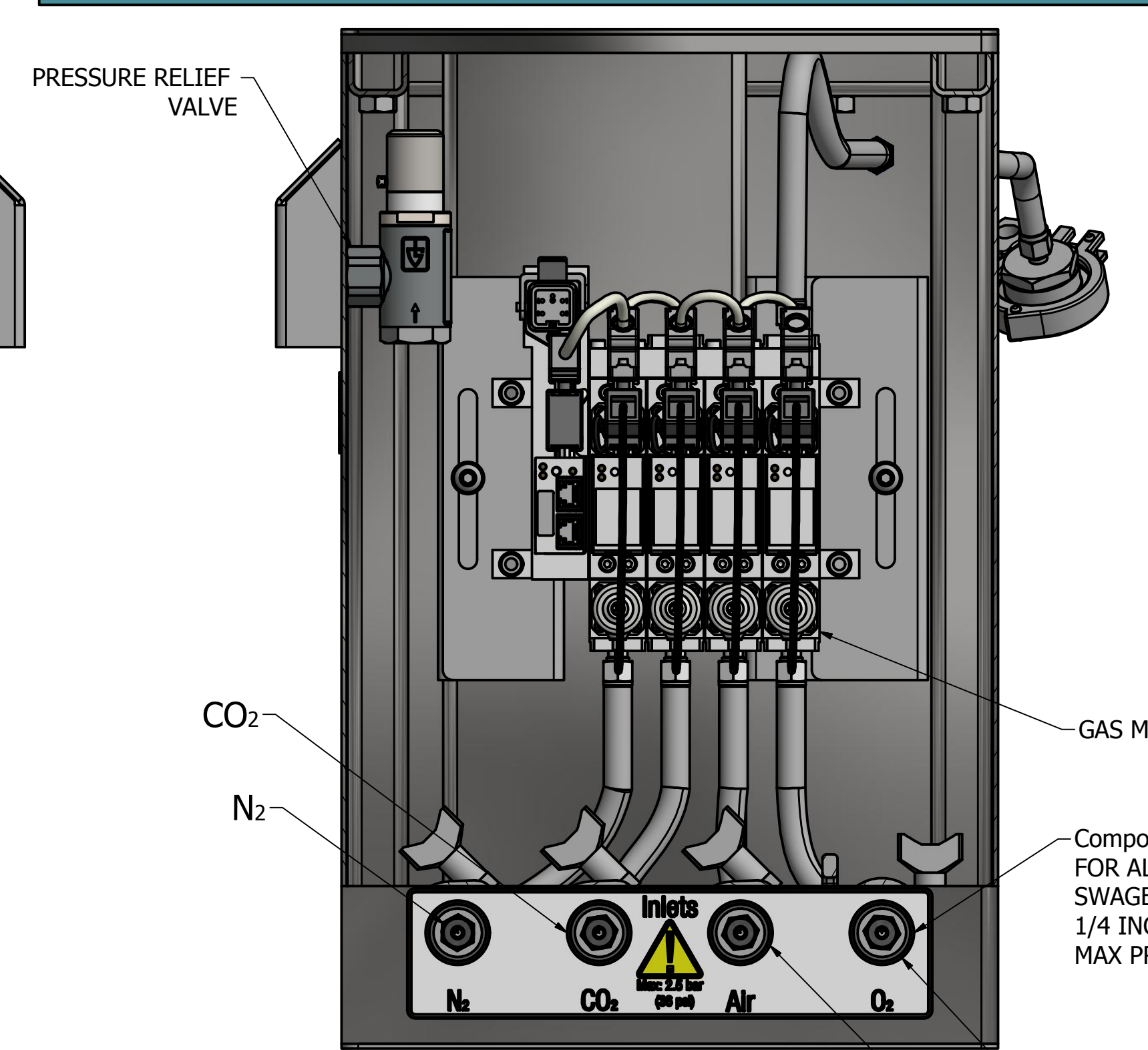
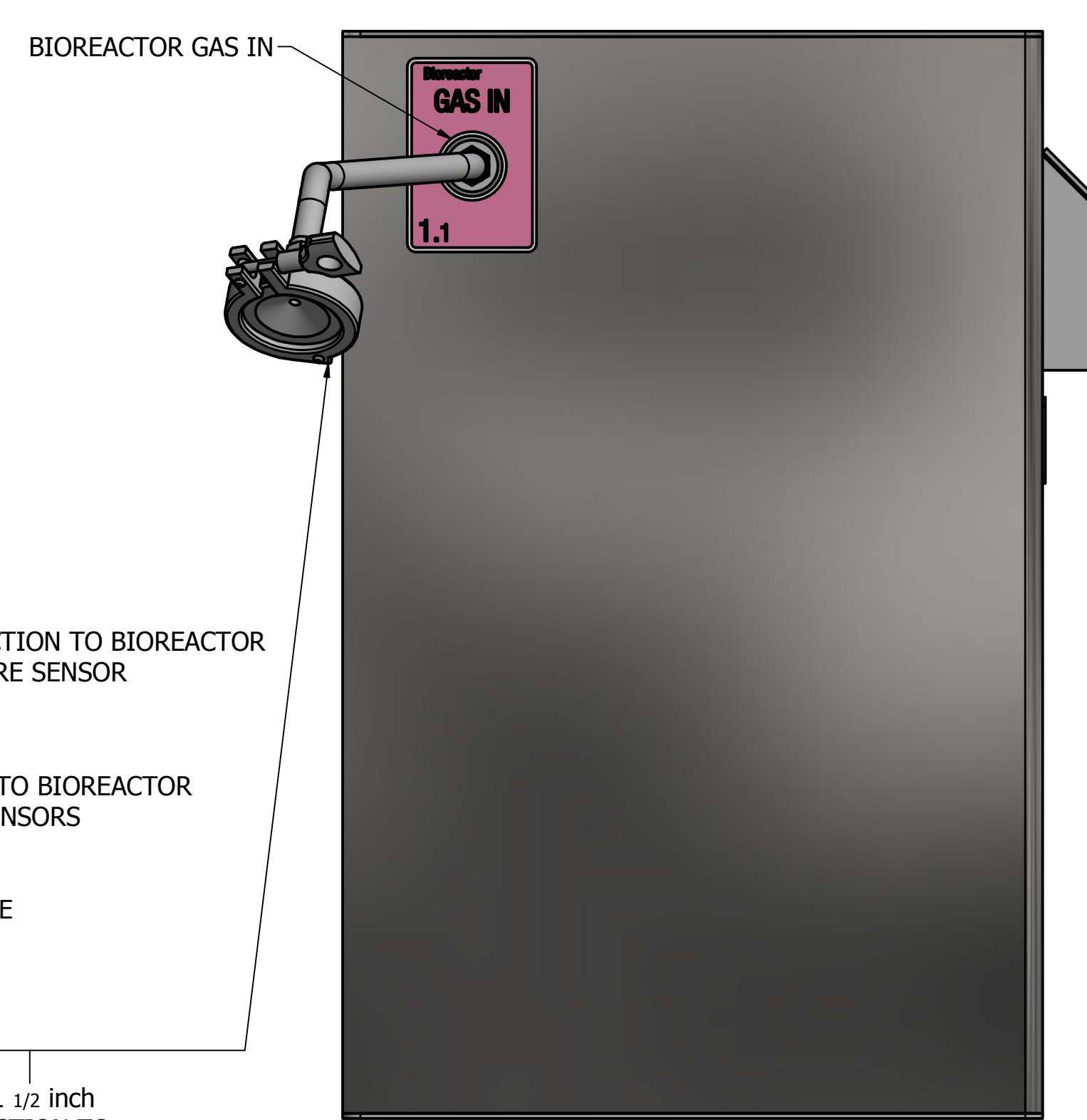
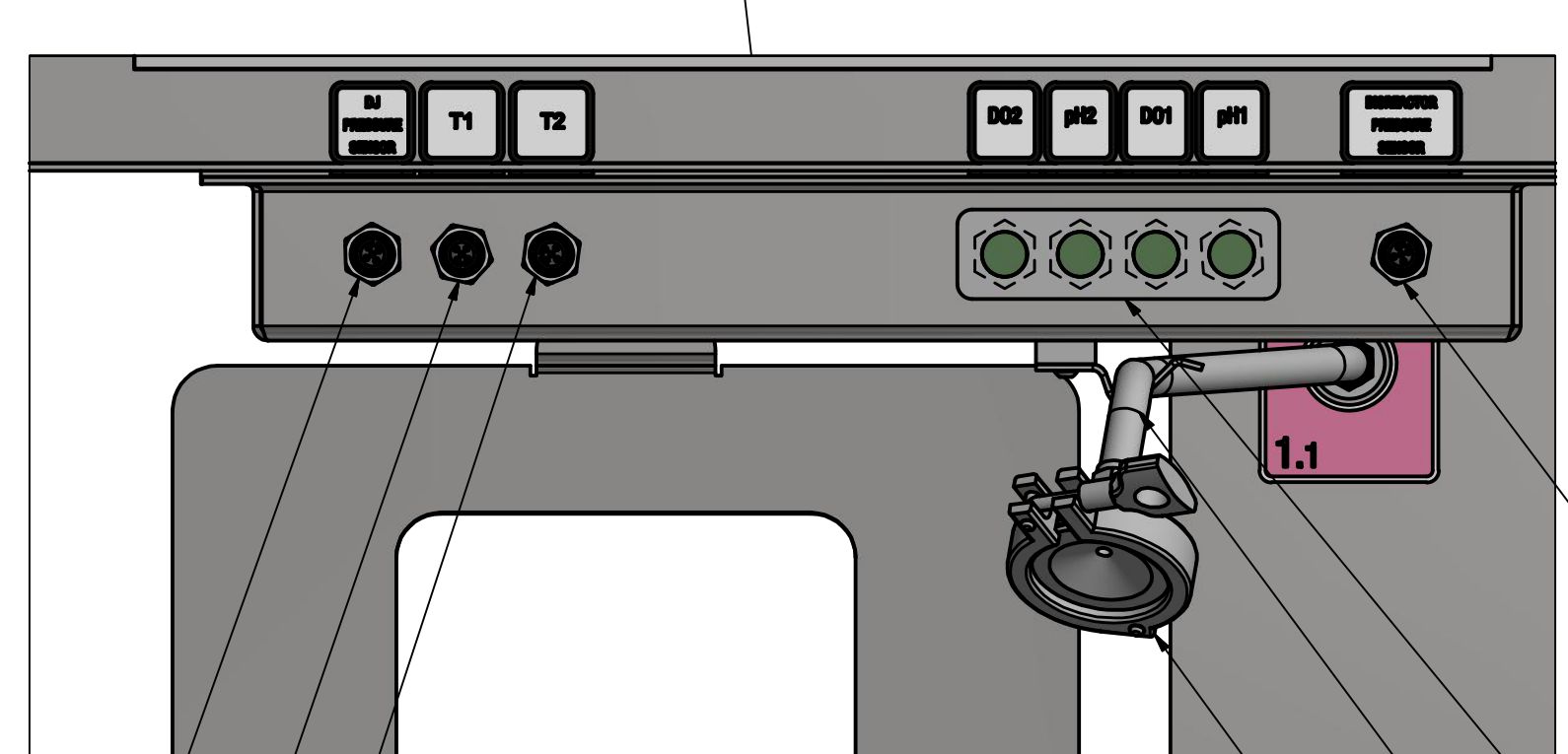
REAR VIEW



2112
[83,1]

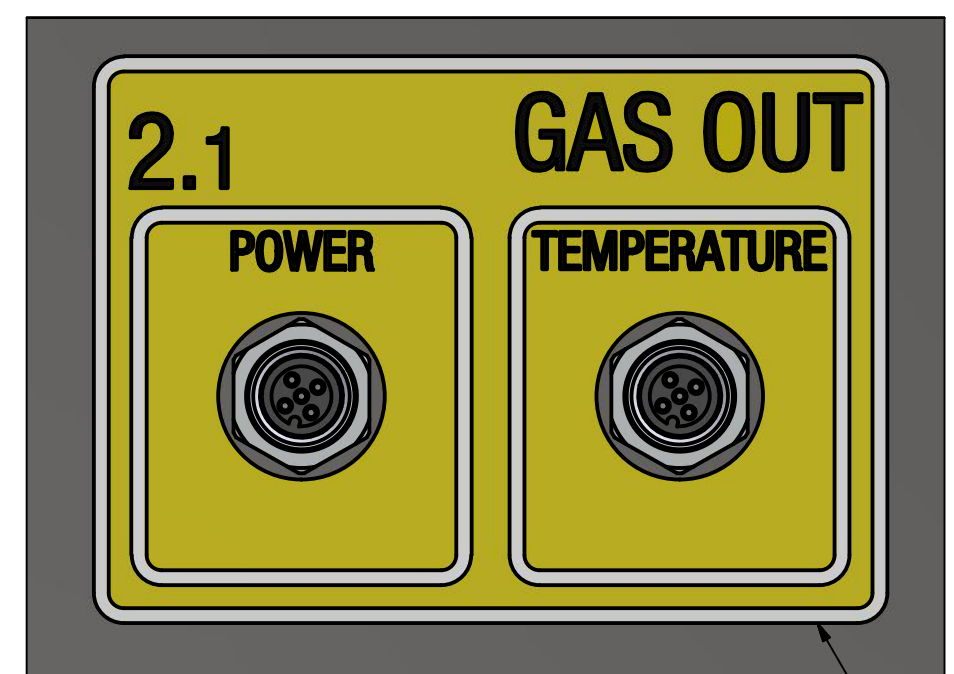
THIS DOOR GIVES ACCESS TO COMPONENTS UNDER 208/230VAC - 50/60Hz

THIS DOOR GIVES ACCESS TO COMPONENTS UNDER 208/230VAC - 50/60Hz



MIDDLE ASSEMBLY

DRAWN	© 2018 PALL CORPORATION	ALL DIMENSIONS IN MILLIMETRES (INCHES) DO NOT SCALE DRAWING	TOLERANCE: mm (in)	NAME	DATE	iCELLis 500+ CONTROLLER
	This document may contain confidential technical data, including trade secrets proprietary to Pall Corporation and/or one or more of its affiliated companies ("PALL"). The document, design rights and all other disclosures in this document are the property of PALL. Unauthorized sale, copying, distribution to third parties, manufacture or reproduction in whole or in part is prohibited.	THIRD ANGLE PROJECTION	RANGE TOLERANCE 0 [0] - 100 [4] ± 2 [±0.08] 100 [4] - 500 [20] ± 5 [±0.2] > 500 [20] ± 10 [±0.4]	CREATED BY FABIO GHIDINI 18/10/2017	CHECKED BY Kévin MOISSAN 3/07/2018	
CHECKED			TYPICAL FINISH: Ra	PALL Life Sciences		PART NUMBER ICL500CSSIP
				PROJECT NUMBER		SHEET ISS. 4 / 8 A04



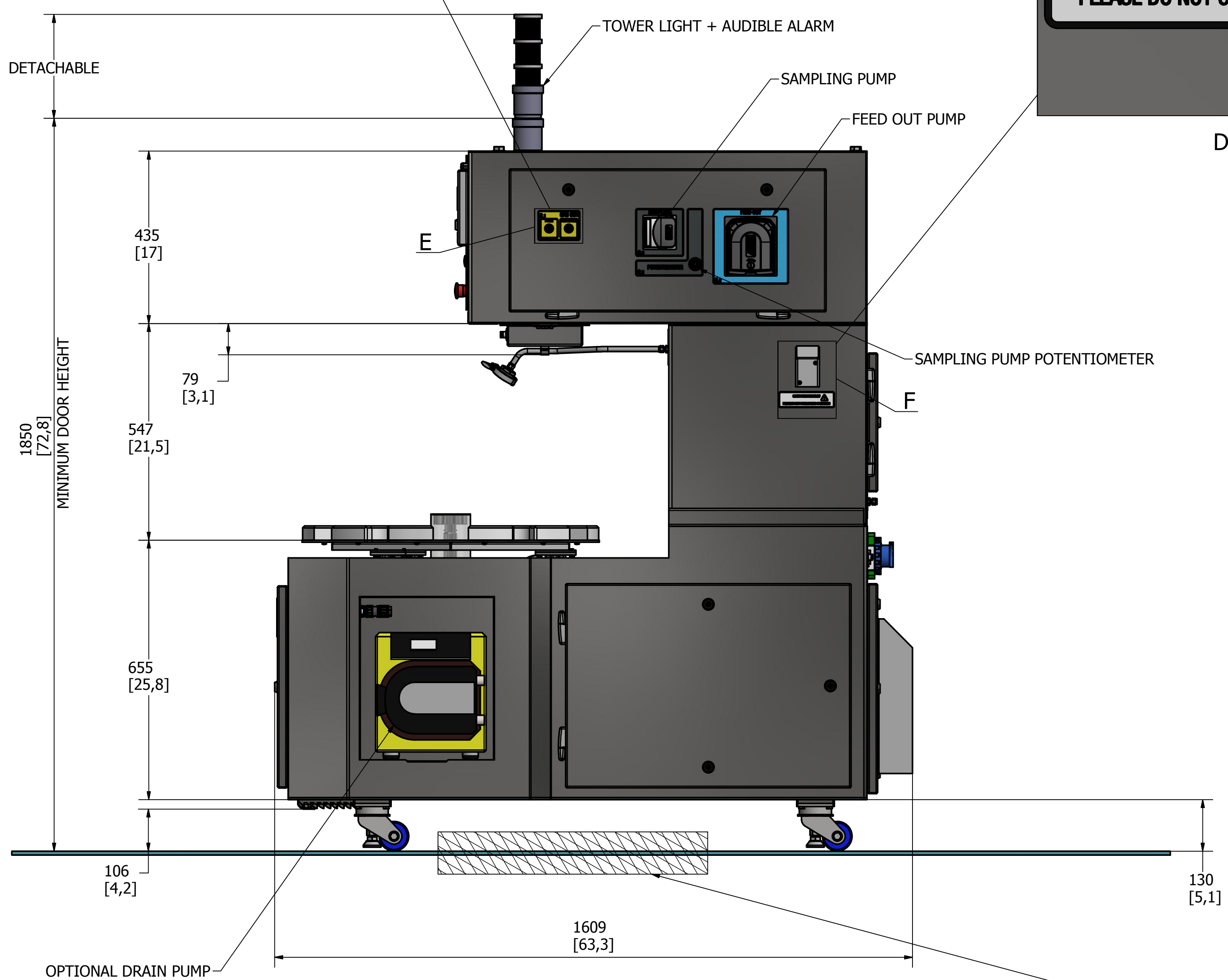
Detail E (1:1)

GAS OUT FILTER HEATER CONNECTORS

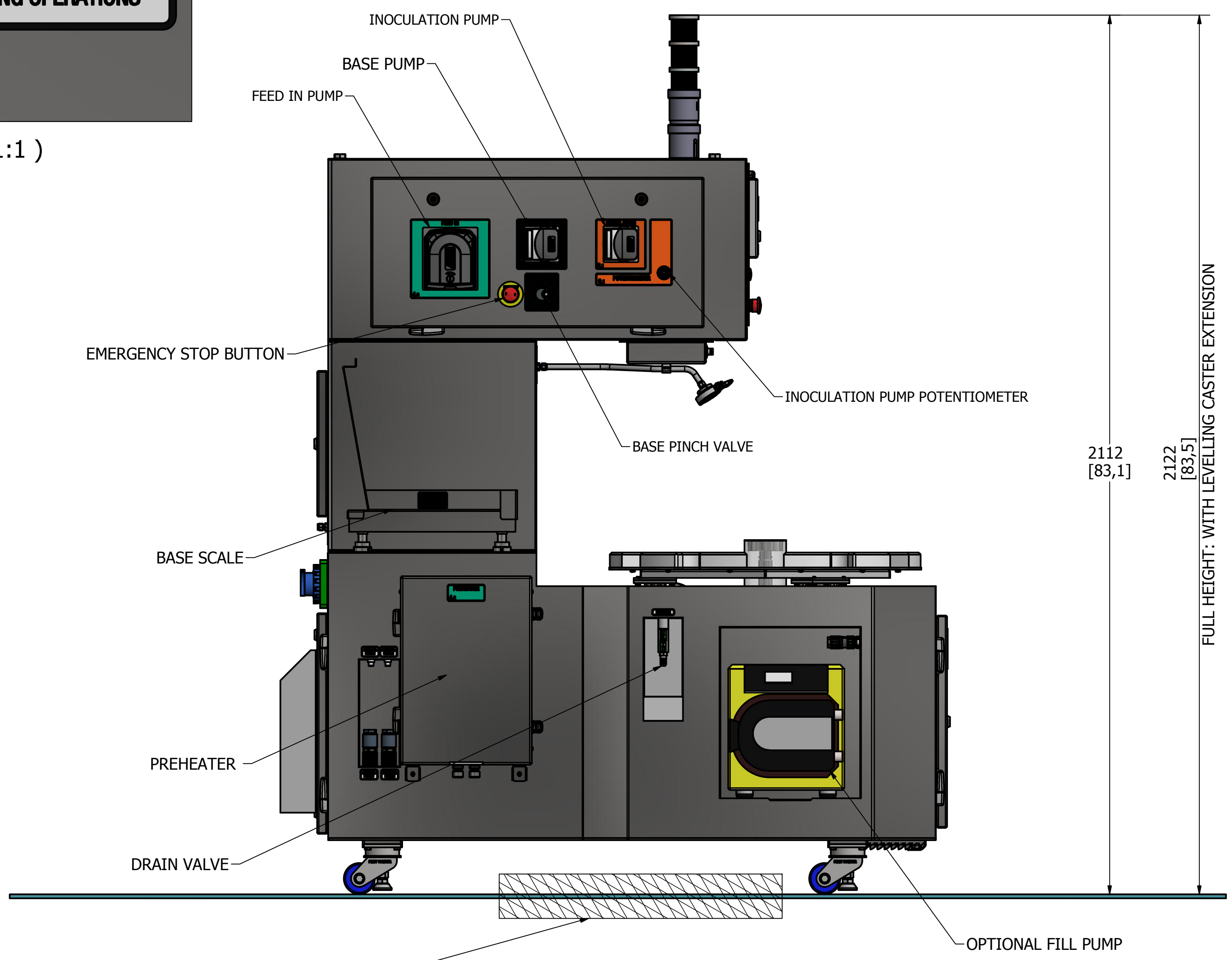


Detail F (1:1)

PRESSURE RELIEF VALVE EXHAUST



RIGHT VIEW

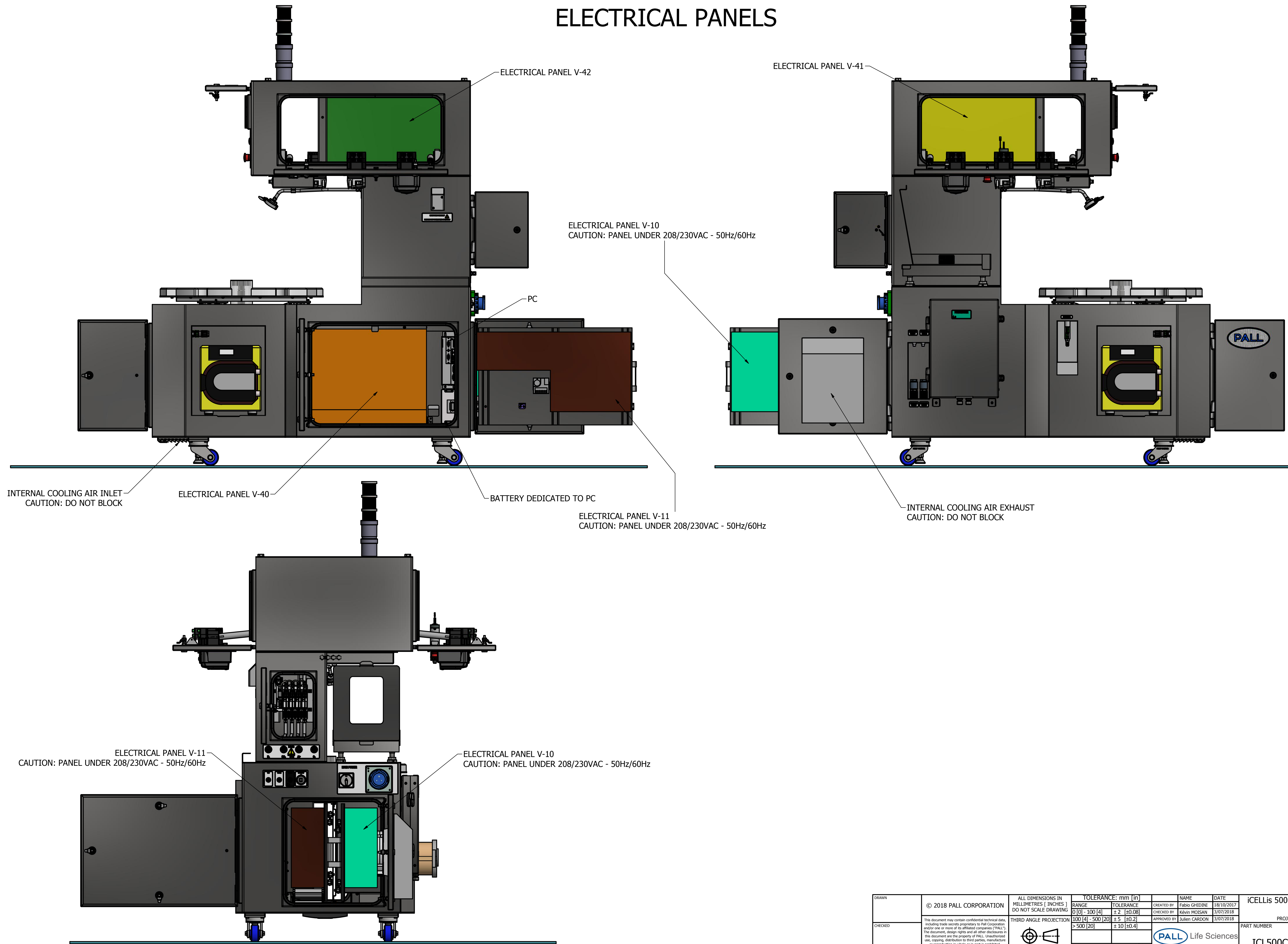


LEFT VIEW

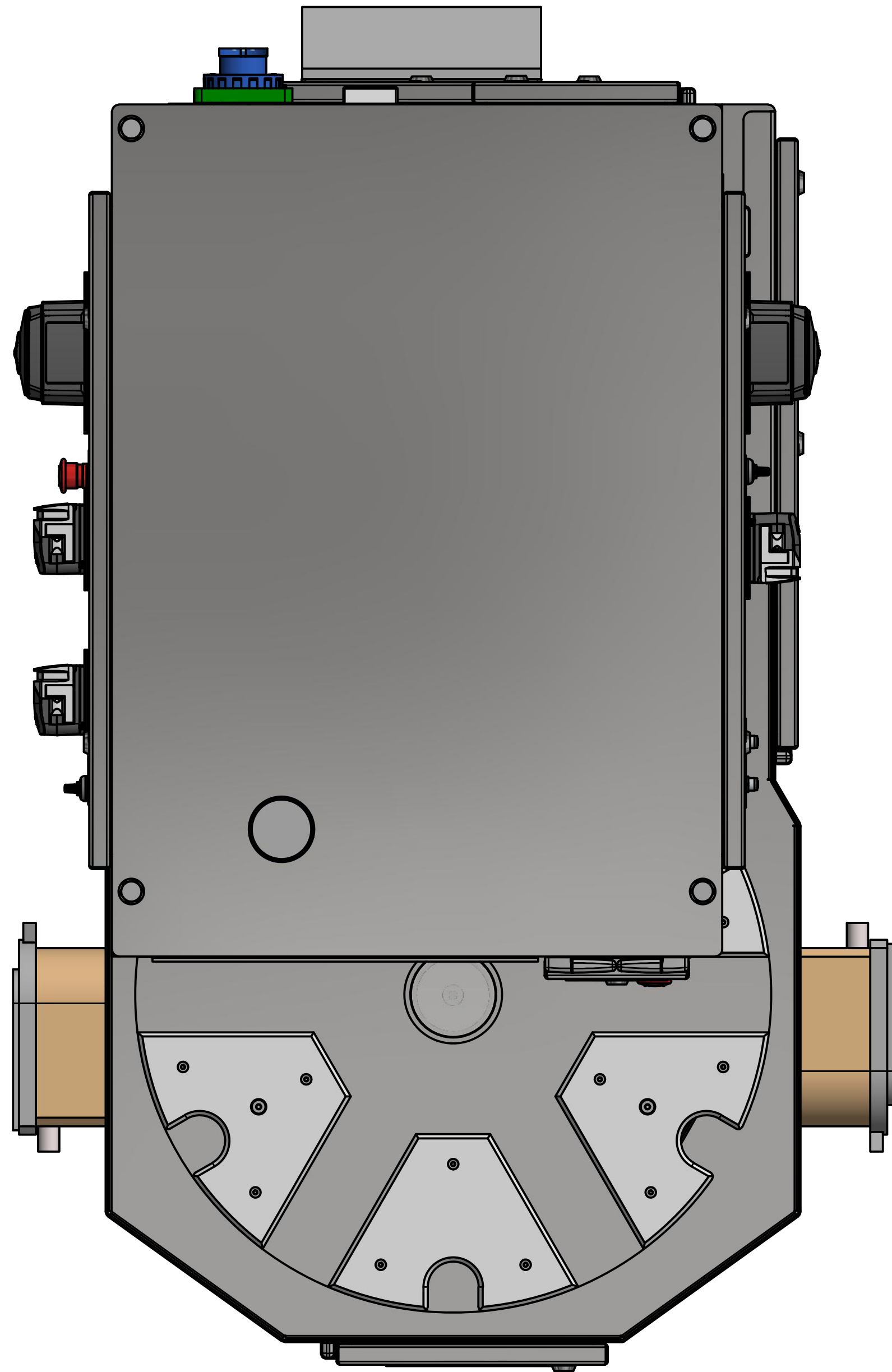
Area to be used by a forklift, Approximately [mm] : 690 [in] [27,2]

DRAWN	© 2018 PALL CORPORATION	TOLERANCE: mm [in]		NAME	DATE	iCELLis 500+ CONTROLLER	
	<small>This document may contain confidential technical data, including trade secrets proprietary to Pall Corporation and/or one or more of its affiliated companies ("PALL"). The document, design rights and all other disclosures in this document are the property of PALL. Unauthorized sale, copying, distribution to third parties, manufacture or reproduction in whole or in part is prohibited.</small>	ALL DIMENSIONS IN MILLIMETRES (INCHES) DO NOT SCALE DRAWING	RANGE	TOLERANCE	CREATED BY	18/10/2017	PROJECT NUMBER
THIRD ANGLE PROJECTION		0 [0] - 100 [4]	± 2 [±0.08]	CHECKED BY	3/07/2018	PART NUMBER	SHEET ISS.
CHECKED		100 [4] - 500 [20]	± 5 [±0.2]	APPROVED BY	3/07/2018	ICL500CSSSIP	5 / 8 A04
		> 500 [20]	± 10 [±0.4]				
		TYPICAL FINISH: Ra					

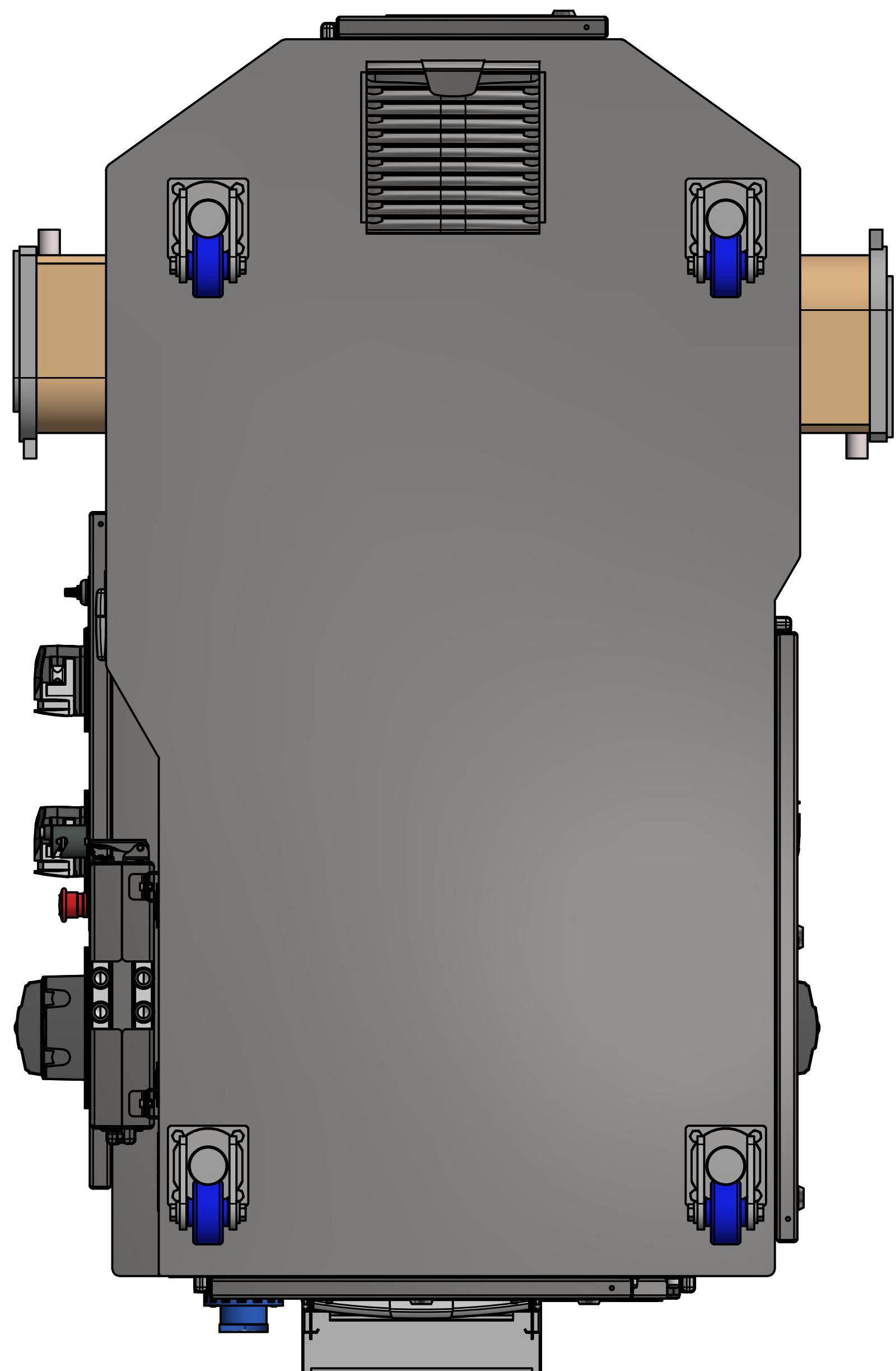
ELECTRICAL PANELS




DRAWN	© 2018 PALL CORPORATION <small>This document may contain confidential technical data, including trade secrets proprietary to Pall Corporation and/or one or more of its affiliated companies ("PALL"). The document, design rights and all other disclosures in this document are the property of PALL. Unauthorized sale, copying, distribution to third parties, manufacture or reproduction in whole or in part is prohibited.</small>	ALL DIMENSIONS IN MILLIMETRES (INCHES) DO NOT SCALE DRAWING	TOLERANCE: mm (in)		NAME	DATE	iCELLis 500+ CONTROLLER
			RANGE	TOLERANCE			
CHECKED		THIRD ANGLE PROJECTION	0 [0] - 100 [4]	± 2 [±0.08]	CHECKED BY	3/07/2018	PROJECT NUMBER
			100 [4] - 500 [20]	± 5 [±0.2]	APPROVED BY	3/07/2018	
			> 500 [20]	± 10 [±0.4]	PALL Life Sciences		PART NUMBER
			TYPICAL FINISH, Ra				ICL500CSSSIP
							SHEET 6/8
							ISS. A04




TOP VIEW



BOTTOM VIEW

DRAWN	© 2018 PALL CORPORATION	ALL DIMENSIONS IN MILLIMETRES [INCHES] DO NOT SCALE DRAWING	TOLERANCE: mm [in]		NAME	DATE	iCELLis 500+ CONTROLLER		
			RANGE	TOLERANCE	CREATED BY	Fabio GHIDINI			18/10/2017
CHECKED	This document may contain confidential technical data, including trade secrets proprietary to Pall Corporation and/or one or more of its affiliated companies ("PALL"). The document, design rights and all other disclosures in this document are the property of PALL. Unauthorized use, copying, distribution to third parties, manufacture or reproduction in whole or in part is prohibited.	THIRD ANGLE PROJECTION	0 [0] - 100 [4]	±2 [±0.08]	CHECKED BY	Kévin MOISAN	3/07/2018	PROJECT NUMBER	
			100 [4] - 500 [20]	±5 [±0.2]	APPROVED BY	Julien CARDON	3/07/2018		
			> 500 [20]	±10 [±0.4]			PART NUMBER	SHEET	ISS.
			TYPICAL FINISH, Ra				ICL500CSSSIP	7 / 8	A04

REVISION HISTORY				
REV	DESCRIPTION	ZONE	DATE	APPROVED
A01	Initial release		2/14/2018	FGH
A02	components change		3/07/2018	FGH
A03	iCELLis500+ renaming		5/31/2018	FGH
A04	Revision table added		7/3/2018	FGH

DRAWN	© 2018 PALL CORPORATION	ALL DIMENSIONS IN MILLIMETRES [INCHES] DO NOT SCALE DRAWING	TOLERANCE: mm [in]		NAME	DATE	iCELLis 500+ CONTROLLER		
			RANGE	TOLERANCE	CREATED BY	Fabio GHIDINI	18/10/2017	PROJECT NUMBER	
CHECKED	This document may contain confidential technical data, including trade secrets proprietary to Pall Corporation and/or one or more of its affiliated companies ("PALL"). The document, design rights and all other disclosures in this document are the property of PALL. Unauthorized use, copying, distribution to third parties, manufacture or reproduction in whole or in part is prohibited.	THIRD ANGLE PROJECTION	0 [0] - 100 [4]	± 2 [±0.08]	CHECKED BY	Kévin MOISAN	3/07/2018	PART NUMBER ICL500CSSSIP	
			100 [4] - 500 [20]	± 5 [±0.2]	APPROVED BY	Julien CARDON	3/07/2018		
			> 500 [20]	± 10 [±0.4]	TYPICAL FINISH, Ra				
								SHEET	ISS.
								8 / 8	A04