

# AF SERIES



AUTOMATIC SOLID ENCAPSULATION TECHNOLOGIES

## Not just encapsulation equipment. A complete encapsulation solution.

ACG brings you the benefit of synergy between hard capsules and capsule filling machines - a benefit that probably no other company in the world can provide.

**We provide the world with an all integrated encapsulation solution.** Leading innovative and high-quality capsule manufacturing from our group company ACG Associated Capsules, combined with cutting edge, globally renowned encapsulation capabilities from ACG Pam, results in shorter timelines, faster processing, sourcing and manufacturing. Not to mention the relief from the inaccuracies associated with machinability.

**AF Series. Understanding capsule filling technology better than everyone.**





## THE AF SERIES

Intelligent with the capsule.

ACG Pam, the makers of AF with over five decades of experience, understand capsule making technology as well as it does capsule filling. This has helped us design and equip our machines intelligently, offering unchallenged machinability and performance with every type of capsule.

The AF is a diverse product line, starting from 6,000 capsules an hour to 200,000 capsules an hour, each designed and tailored for specific needs.

Backed with a state-of-the-art manufacturing facility and a sales and service network in over 50 countries, support for the AF series is just a call away. Our sales and service engineers are trained in capsule filling technology, each with many years of experience.

In the area of encapsulation, the GMP environment is growing. Our machines are designed with precision to be PAT compliant and meet GMP requirements.

Encapsulation of multiple products in a capsule, can be done with the extensive array of CODE (Customized Oral Dosage Encapsulation) Series' special purpose attachments. These can be retro-fitted onto the AF to help service your needs for special formulations.

The AF series from ACG Pam has emerged as a global leader with new and innovative formulation capabilities. Pharmaceutical companies look up to the AF series to encapsulate a wide range of formulations, enhance existing product lines and take new launches to success.

**AF remains an intelligent and efficient encapsulation machine, yet simple and reliable.**

# THE AF BRAND

Preferred by customers worldwide.

We bring to you an integrated 'capsules & encapsulation' solution. This is powered by the wealth of knowledge that ACG Pam has, having supported encapsulation of over 3,000 formulations worldwide.

The AF, with its cost-effective proposition, on-site set up and service, warranty and spares support and GMP & PAT compliant features make it the most sought after capsule filling system in the world.

The fact that there are over a thousand AF installations currently encapsulating varied formulations across continents, proves the reliability and robustness of the AF Series.

*This communication in the next few pages will take you through what makes AF the "largest selling" encapsulation machine in the world.*

**AF Series. The most sought after encapsulation system in the world.**





## Encapsulation advantage

Capsules and capsule fillers from one source is the biggest advantage you have.

When it comes to capsule filling, as a global leader no other company has more experience than ACG Pam and no other machine series more sold than the AF. Arguably the largest selling encapsulation machine in the world, AF incorporates over three decades of manufacturing expertise and formulations experience. Each AF machine meets all major international standards of quality and safety compliances parameters.

## Revenue optimization

When you have an integrated solution provider for your brands, it positively impacts quicker production cycles and enhances revenues.

We also constantly innovate our encapsulation technologies, which has resulted in customers exceeding their growth prospects. The total cost of ownership of our machines is much less when compared to the European counterparts, which makes your investment in ACG Pam capsule fillers more fruitful.

## Experience & performance with formulations

The AF series has managed over 3,000 different formulations successfully. This wealth of knowledge and unrivalled expertise with various formulations gives us that unique edge over competition: a knowledge base, which every customer of the AF Series can benefit from.

## Dosing capabilities

The AF can be built using both encapsulation principles: Dosator and Tamping.

Also, across its different models, it is tailored to fill product options in a single capsule with a wide assortment of filling systems, offering you capabilities to fill powder, granules, pellets, tablets and capsule in a capsule.

To fill multiple combinations in a capsule, the AF can be retro-fitted with the extensive array of CODE (Customized Oral Dosage Encapsulation) Series 'special purpose' attachments.



## Technical expertise

The AF has more than 1000 successful installations operating worldwide. The company has a state-of-the-art manufacturing facility that complies with major international compliances and regulations.

The AF is known for its robustness over longer production runs. It is designed for easy clean-ability in a GMP environment. The AF is an audit friendly system and is in operation on production shop floors of hundreds of US FDA, MMRA & TGA approved factories around the world.

## Peripheral equipment support

The productivity enhancers that can support the AF machines with minimization of manual handling of capsules and an assurance of quality, reliability and repeatability of the final products.

### **Elevating**

FCE-100

SE-100

### **Polishing**

DP-100

ADU-100

### **Sorting**

Tablet/Capsule Sorter

MCS-100

FS-100

ECS-100

### **De-Blistering**

DBM-40

### **Product Conveying System**

PCS-200

### **Online-check Weigher**

### **Metal Detection System**





## Global footprint

You will find an AF in almost every continent.

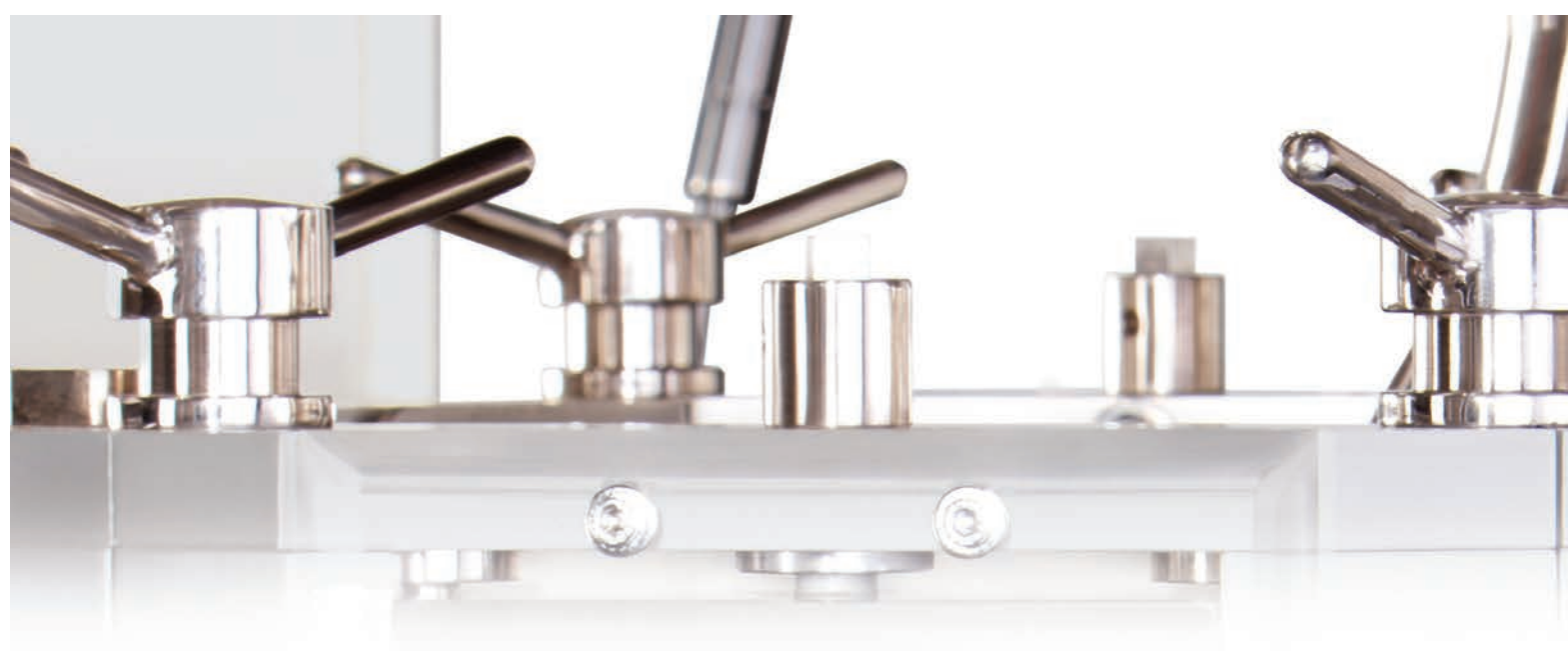
With over a thousand installations across the world, the AF series machine has a presence in America, Europe, Asia, Africa and the Middle East region.

## Sales & Service Support

We understand our customers' needs and possess the infrastructure and manpower to respond with prompt information and quick service. The company has a dedicated team of sales and service personnel in place, catering exclusively to AF customers for service and spares. As an AF owner, you can log on to our website to post your requests for service, spares and equipment support and our team will respond promptly.

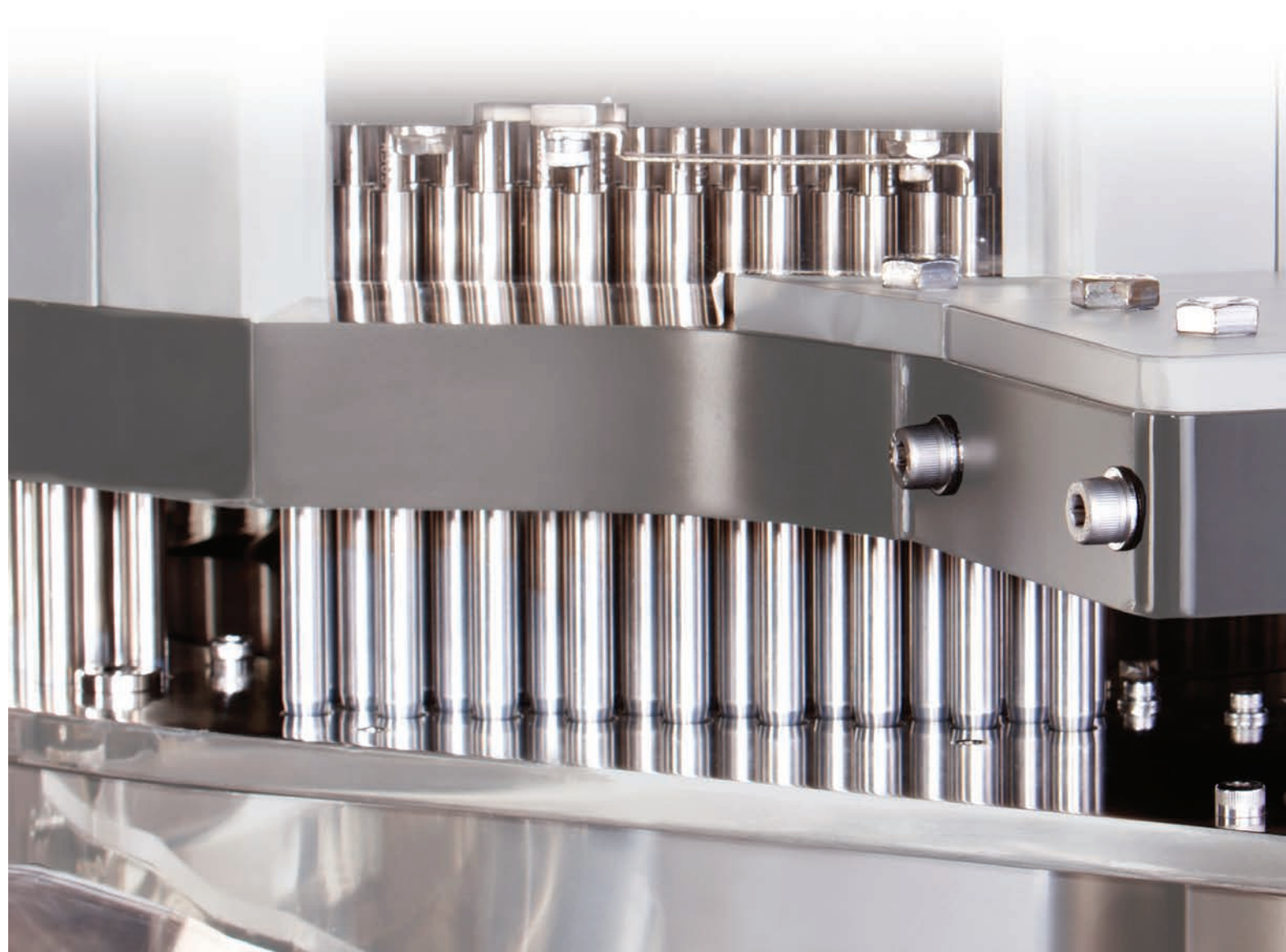
AF engineers are trained to work with your machine operators not only to resolve problems, but also to train them to increase machine productivity by carrying out preventive maintenance.





### Patented ZRO technology

The ZRO technology is a factory fitted mechanism, developed and patented by ACG Worldwide. This technology improves manufacturing efficiency by minimizing powder segregation during operation at 130 strokes per minute. ZRO technology is suitable for full filling operations and partial filling for quantities as low as 15 mg +/- 2 mg. With the ZRO technology, the dust is arrested in filling and the machine remains almost totally clean during the operation, thereby increasing the yield.





## Empty hard capsule support

ACG Associated Capsules Private Limited (ACG ACPL) and Lukaps d.o.o., Croatia (group companies) together are amongst the largest producers in pharmaceutical hard gelatin capsules in the world. ACG ACPL is Asia's largest, and the world's second largest, manufacturer of high quality empty hard gelatin capsules used primarily for pharmaceutical and dietary supplement applications. We have three state-of-the-art manufacturing plants near Mumbai, India and one at Ludbreg, Croatia.

ACG has subsidiary offices in Brazil, China, Europe, Indonesia, North America and Philippines. Most of these locations are well-equipped with top-of-the-range warehousing facilities to ensure quick deliveries to customers worldwide. The global business division services customers in all five continents, in over 50 countries with active support from local offices and representatives.



ACG-Associated Capsules



The capsule companies of ACG Worldwide produce over 40 billion capsules annually and are working on expanding capacities in order to meet the increasing demands of our customers. ACG ACPL caters to global multinationals and big Pharma generic pharmaceutical companies across the globe. High speed machines at the manufacturing facilities are capable of producing both gelatin and cellulose capsules with the widest possible size range (000, 00el, 00, 0xel, 0el, 0el+, 0, 1el, 1, 2el, 2, 3, 4 & 5) in an large variety of colours, with linear and oriented circular (Brandshield) printing on indigenously developed, high speed printing machines.

Another 'value add' is that we can customize the capsules upon requirements specified by customers.



**EZEEFIT™** : High quality two-piece gelatin capsules

**FLOFIT™** : Hard capsules to fill liquids

**PEARLZ™** : Capsules with aesthetic pearl finish

**BRANDSHIELD™ 360°** : 360° circular oriented two-colour printing on the capsules

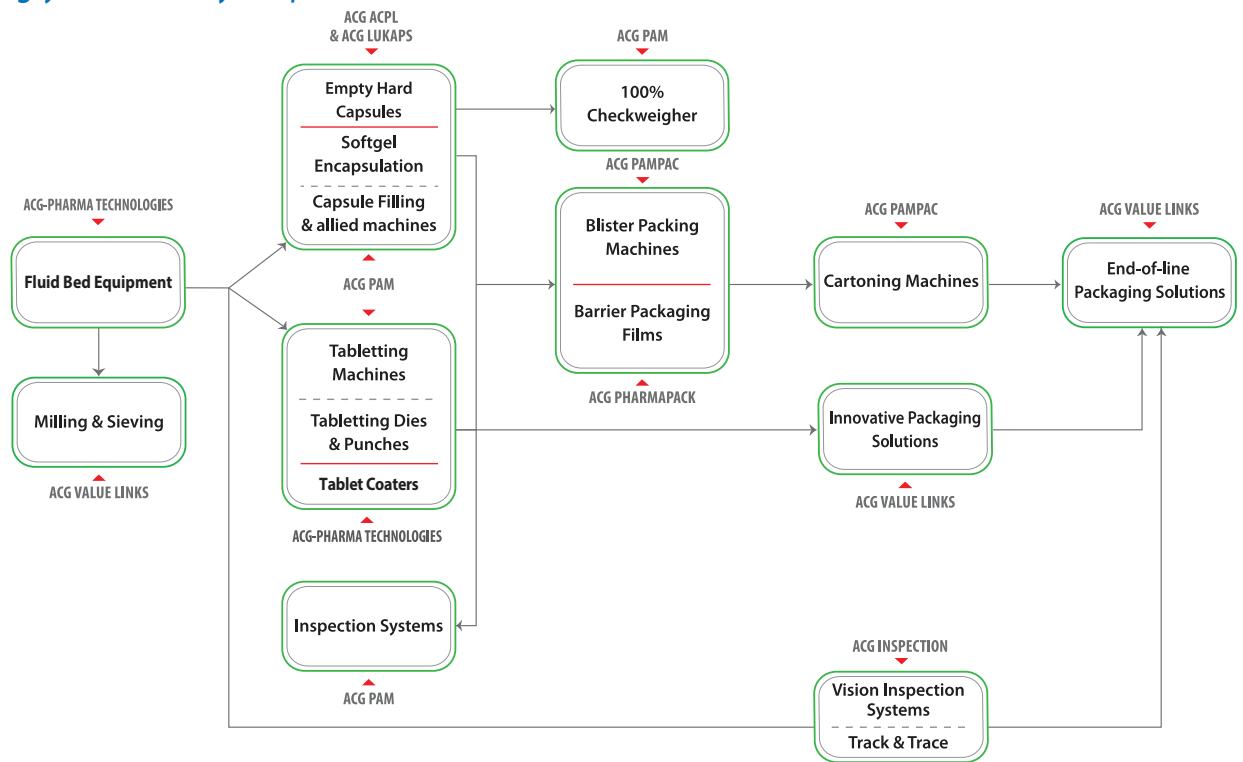
**BRANDSHIELD™ 4C** : Imprint four colour logos, icons, graphics on the capsules

**NATURECAPS™** : HPMC. Capsules made from cellulose

**MARINECAPS™** : Capsules made from fish gelatin

**CLINICAPS™** : Capsules for 'double-blind' trials

Partnering you at every step



**Biotech Solutions:** Lyophilizers | cGMP Pharma Washers | Prefilled Syringe Lines | Ampoule & Vial Filling Lines



ACG Worldwide is one of the world's largest and most reputed manufacturers of pharmaceutical empty hard capsules, pharmaceutical & packaging machinery as well as packaging films.

ACG Worldwide works in technical / financial collaboration with the world's leading companies, exporting its products to over 100 countries. It has warehouses, marketing establishments and service centres in several countries, across the globe.

ACG - Your global partner for manufacturing, packaging and R&D solutions.

## OUR GROUP COMPANIES

Synergy at Work

**ACG Pharma Technologies**  
(Formerly known as Pam Clatt Pharma Technologies Pvt Ltd)

**ACG-Associated Capsules**

**ACG-LUKNPS**  
Croatia

**ACG-pam**

**ACG-pharmapack**  
INNOVATION

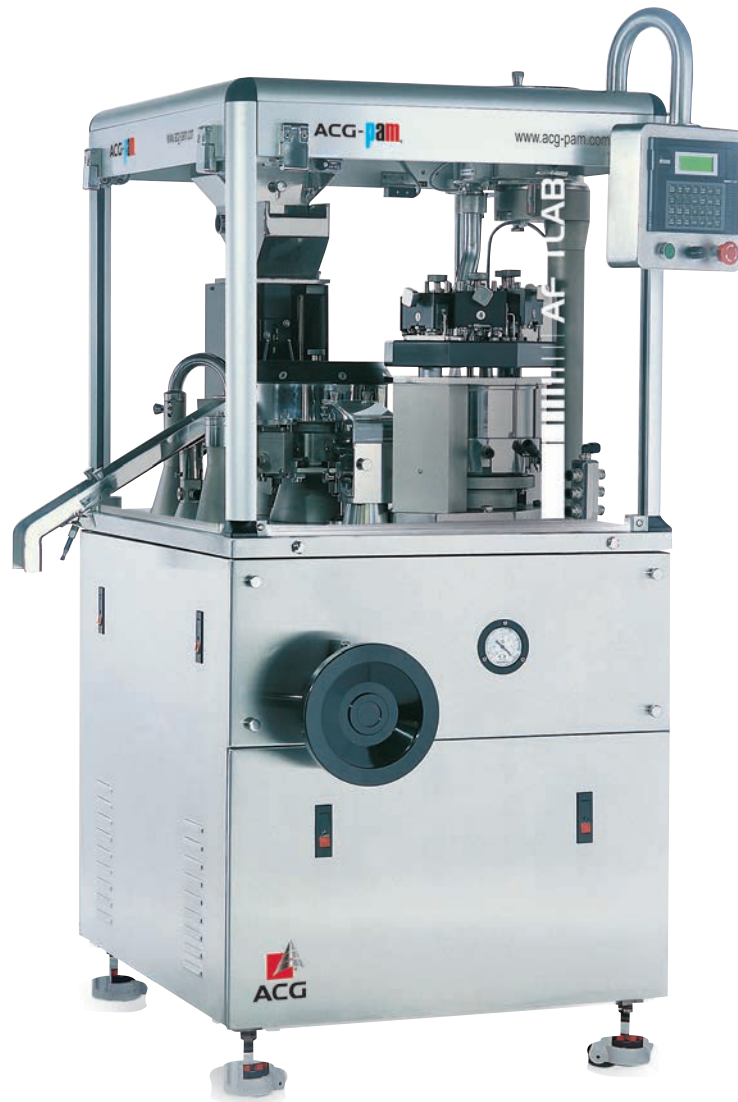
**ACG-pampac**

**ACG-Inspection**

**ACG Value Links**

## THE AF range : One for every requirement

Machine	Dosing principle	Output caps/h	Filling Capabilities
AFT LAB	Tamping	6000	powder / tablet / pellet
AF 25 T	Tamping	25000	powder / tablet / pellet
AF 40 T	Tamping	40000	powder / micro-tablets / pellet
AF 40 D	Dosator	40000	powder / micro-tablets / pellet
AF 90 T	Tamping	90000	powder / micro-tablets / pellet / capsule
AF 150 T	Tamping	150000	powder / micro-tablets / pellet / capsule
AF 200 T	Tamping	200000	powder / micro-tablets / pellet / capsule



## **AF-T Lab. The Perfect Capsule-Filling Machine for Labs.**

AF-T Lab is a fully-automatic capsule-filling machine that's suitable for laboratories. It ensures greater flexibility to experiment various combinations of dosage forms such that resultant formulations are production-line ready.

It is one-of-its-kind machine that allows any four sizes of the capsules with a single format part. Not only does this simple changeover save time and efforts, but also enables the scaling-up of the development process without any modification in formulations.

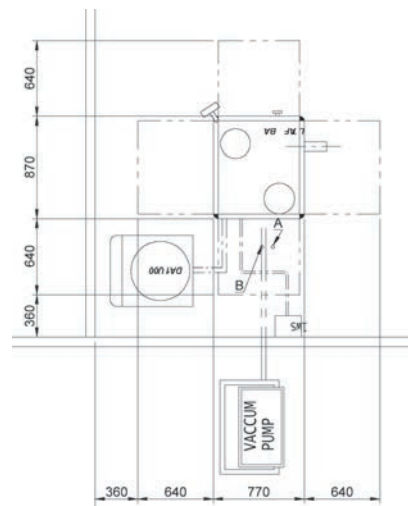
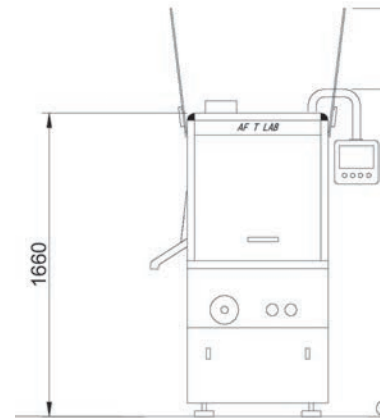
### ***Features:***

- Fully-automatic capsule-filling machine for laboratories
- Single format part allowing experiments with up to four capsule sizes
- Easy and quick changeover
- Fills powder/pellets/tablets/micro-tablets/capsule-in-capsule and other combinations
- Conforms with cGMP guidelines

# AF-T Lab Automatic Capsule Filling Machine

## Technical Data

Output	: Up to 6,000 capsules per hour (for Powder Filling) Up to 5,000 capsules per hour (for Pellet Filling)
Electric Supply	: 415V, 3 Phase, +N +E, 50 Hz, A. C. (or according to customer specification)
Main Motor	: 1.1 kW variable speed
Vacuum Required (Capsule Separation)	: 1000 LPM at 26" of mercury
Compressed Air	: 225 LPM at 6kg/cm <sup>2</sup>
Connected Load	: 1.3 kW approximately for machine only 8.0 kW approximately for machine with vacuum pumps, vacuum cleaner and air compressor.
Dimensions (L x W x H)	: 1210mm x 955mm x 1750mm
Gross Weight	: 1,000 kgs
Shipping Dimensions (L x W x H)	: 1600mm x 1400mm x 1900mm
Shipping Weight	: 1,200 kgs



Due to continuous product improvement and customer interaction, designs and specifications may be modified or updated without notice.

More than 3 decades of service to pharmaceuticals industry and over 1000 ACG PAM machines installed and operating worldwide speak of our technology and commitment to quality.



## ACG-pam®

**ACG Pam Pharma Technologies Pvt Ltd**

127 Kandivli Industrial Estate Kandivli (W) Mumbai - 400 067

India Tel : 91 22 3078 0701 / 02. Fax : 91 22 2868 3091

Email : sales.pam@acg-world.com Website : www.acg-pam.com





### **AF 25 T. Compact machine for small to medium size batches.**

The AF-25 T is a compact and fully automatic capsule-filling machine that can fill a large variety of powder formulations into hard capsules.

**Output :** 25,000 capsules per hour for powders

**Filling :** Powders / Pellets / Micro-tablets

For multiple combination fillings, ask for CODE (Customized Oral Dosage Encapsulation) Series attachments. CODE Series attachments can be retro-fitted (can be fitted even after the AF machine is installed)

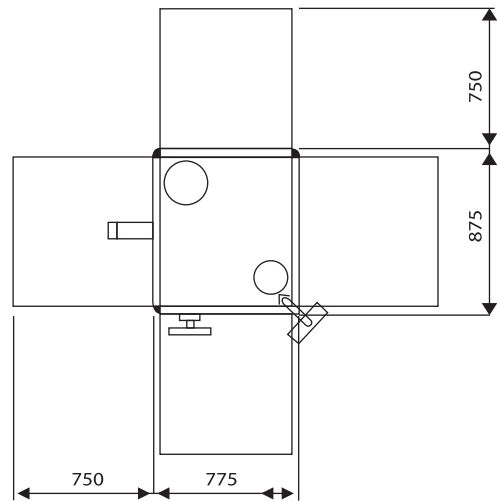
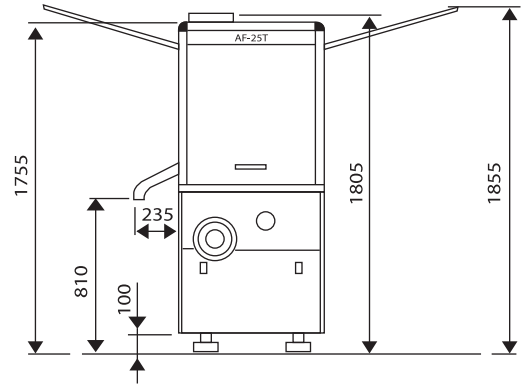
#### **Salient features :**

- Conforms to cGMP guidelines
- High filling accuracy due to precise slug dosing principle
- Better yield due to high filling accuracy and less powder wastage
- Fills powder/ pellets/ tablets/ micro-tablets/ capsule in capsule
- Easy and quick capsule size and product changeover
- Easy to operate touch screen
- Machine control from main panel
- Auto shut off for any malfunction with audio-visual message display
- Filled capsule sorting
- ACG Pam Accura, an online, 100% check weigher can be integrated onto the machine and is optional

# AF-25 T Automatic Capsule Filling Machine.

## Technical Data

Output	: Upto 25,000 capsules / hour for powder filling : Upto 23,000 capsules / hour for pellet filling : Upto 13,000 capsules for tablet filling ( single tablet )
Electric Supply	: 415V, 3 Phase +N +E, 50 Hz, A.C.
Main Motor	: 1.1 kW ( 1.5 HP ) at 750 rpm.
Vacuum Required ( Capsule Separation )	: 575 LPM at 18" of Hg
Vacuum Required ( Cleaning )	: 2800 LPM at 4" of Hg
Compressed Air	: 140 LPM at 6kg/cm <sup>2</sup>
Connected Load	: 1.5kW ( 2 HP ) approx. for machine only
Connected Load	: 7.5 kW ( 10 HP ) approx. for machine with vacuum pump, vacuum cleaner and air compressor.
Dimensions ( L x W x H )	: 1210mm x 955mm x 1900mm
Gross Weight	: 1000 kgs
Shipping Dimensions ( L x W x H )	: 1500mm x 1200mm x 2200mm
Shipping Weight	: 1200kgs Approx.



Due to continuous product improvement and customer interaction, designs and specifications may be modified or updated without notice.

More than 3 decades of service to pharmaceuticals industry and over 1000 ACG PAM machines installed and operating worldwide speak of our technology and commitment to quality.



## ACG-pam®

**ACG Pam Pharma Technologies Pvt Ltd**

127 Kandivli Industrial Estate Kandivli (W) Mumbai - 400 067 India Tel : 91 22 3078 0701 / 02. Fax : 91 22 2868 3091  
Email : sales.pam@acg-world.com Website : www.acg-pam.com





### **AF 40 D. Enhanced dose weight accuracy.**

The model AF-40(D) is an automatic capsule-filling machine to fill powder formulations, in the form of a slug, into hard gelatin capsules of various sizes. It is the only automatic machine where filling is based on the dosator system.

**Out put:** 40,000 capsules per hour for powders

**Filling :** Powders / Pellets / Micro-tablets / Capsules

For multiple combination fillings, ask for CODE (Customized Oral Dosage Encapsulation) Series attachments. CODE Series attachments can be retro-fitted (can be fitted later even after the AF machine is installed)

#### **Salient features :**

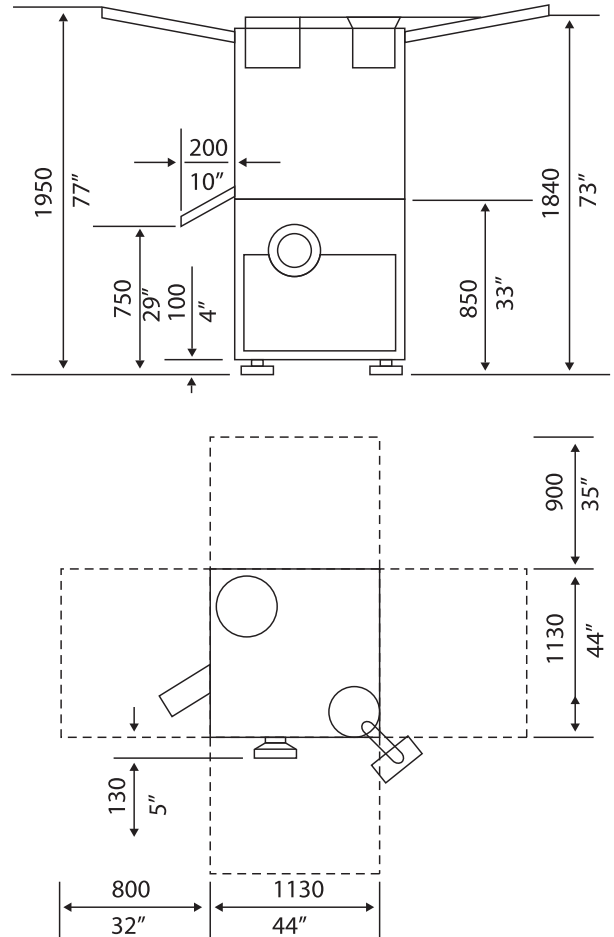
- Conforms to cGMP guidelines
- High filling accuracy due to precise slug dosing principle
- Better yield due to high filling accuracy and less powder wastage
- Partial filling capability (up to 25 mg) for any size of capsule from # 000 to 5 / DB Caps
- Fills powder/ pellets/ tablets/ micro-tablets/ capsule in capsule
- Easy and quick capsule size and product changeover
- Easy-to-operate touch screen
- Machine control from main panel
- Auto shut off for any malfunction with audio-visual message display
- Filled capsule sorting
- ACG Pam Accura: an online, 100% check weigher can be integrated into the machine and is optional
- For fluffy, sticky, heat sensitive non-slug forming and dry mixing formulations, the patented technology



# AF-40 D Automatic Capsule Filling Machine.

## Technical Data

Output	: Upto 40,000 capsules / hour for power filling & pallet filling : Upto 30,000 capsules / hour for tablet / combination
Electric Supply	: 415V, 3 Phase 50 Hz,
Main Motor	: 1.5 kW ( 8HP ) Variable Speed
Power Feed Motor	: 0.18kW ( 0.25 HP )
Connected Load	: 2.0kW ( 3HP ) approx for machine only 8.0 kW ( 11HP ) approx for machine with vacuum pumps, vacuum cleaner and air compressor.
Vacuum Required ( For Capsule Separations )	: 1100 LPM at 26" of Hg
Vacuum Required ( Powder Bed )	: 150 LPM at 24" of Hg.
Vacuum Required ( For Cleaning )	: 2800 LPM at 4" of Hg
Compressed Air Required	: 200 LPM at 5-7 kg/cm <sup>2</sup>
Dimensions ( L x W x H )	: 1610mm x 1290mm x 1950mm
Gross Weight	: 1870 kgs
Shipping Dimensions ( L x W x H )	: 2140mm x 1600mm x 2300mm
Shipping Weight	: 2350kgs Approx.



Due to continuous product improvement and customer interaction, designs and specifications may be modified or updated without notice.

More than 3 decades of service to pharmaceuticals industry and over 1000 PAM machines installed and operating worldwide speak of our technology and commitment to quality.



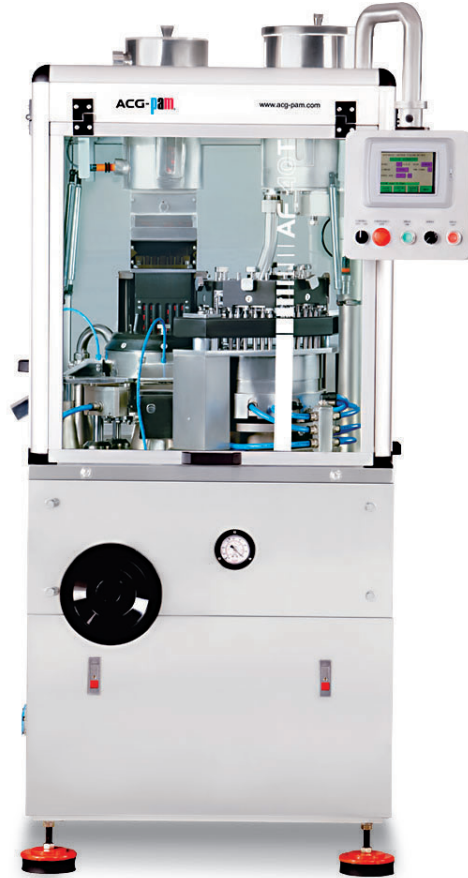
**ACG-pam**

**ACG Pam Pharma Technologies Pvt Ltd**

127 Kandivli Industrial Estate Kandivli (W) Mumbai - 400 067 India Tel : 91 22 3078 0701 / 02. Fax : 91 22 2868 3091

Email : sales.pam@acg-world.com Website : www.acg-pam.com





**AF 40 T. Small in size. Big in performance.**

The AF-40T is a very compact, fully automatic, capsule-filling machine that can fill a large variety of powder formulations into hard gelatin capsules.

**Output :** 40,000 capsules per hour for powders

**Filling :** Powders / Pellets / Micro-tablets

For multiple combination fillings, ask for CODE (Customized Oral Dosage Encapsulation) Series attachments. CODE Series attachments can be retro-fitted (can be fitted later even after the AF machine is installed)

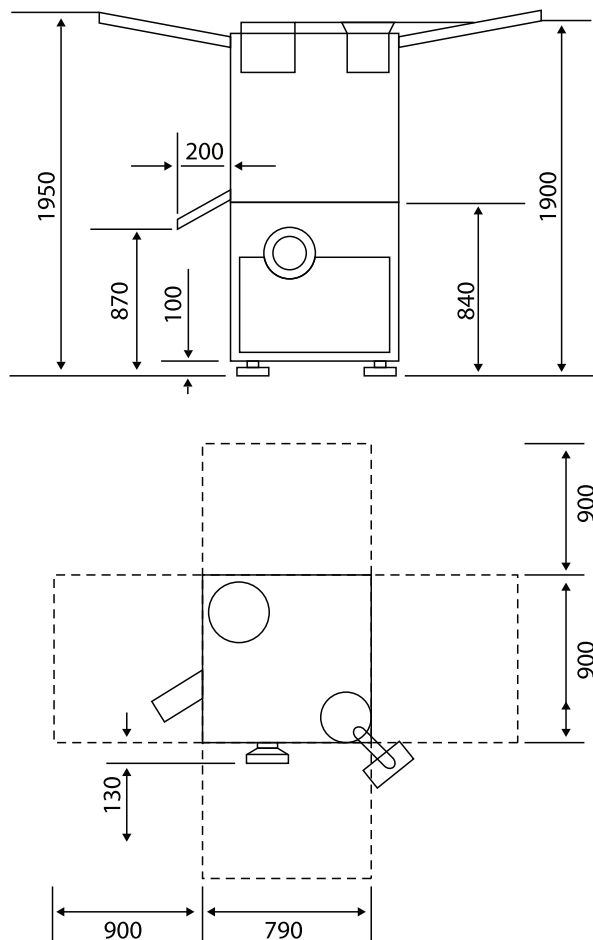
**Salient features :**

- Conforms to cGMP guidelines
- High filling accuracy due to precise slug dosing principle
- Better yield due to high filling accuracy and less powder wastage
- Partial filling capability (up to 25 mg) for any size of capsule from # 000 to 5
- Fills powder/ pellets/ tablets/ micro-tablets/ capsule in capsule
- Easy and quick capsule size and product changeover
- Easy to operate touch screen
- Machine control from main panel
- Auto shut off for any malfunction with audio-visual message display
- Filled capsule sorting
- ACG Pam Accura, an online, 100% check weigher can be integrated onto the machine and is optional
- For fluffy, sticky, heat sensitive non-slug forming and dry mixing formulations, the patented technology. ZRM variant - ZRO 40T is available.

# AF-40 T Automatic Capsule Filling Machine.

## Technical Data

Output	: Upto 40,000 capsules / hour for power filling : Upto 35,000 capsules / hour for pellet filling
Electric Supply	: 415V, 3 Phase, +N +E, 50 Hz, A.C. (or according to customer specification)
Main Motor	: 1.5 kW variable speed
Powder Feed Motor	: 0.18 kW
Connected Load	: 2.0kW ( approx ) for machine only 8.0 kW ( approx ) for machine with vacuum pump, vacuum cleaner and air compressor.
Vacuum Required ( Bush Cleaning )	: 2800 LPM at 37mm of mercury
Vacuum Required ( Capsule Separation )	: 1000 LPM at 660 mm of mercury
Compressed Air	: 200 LPM at 5-7 kg/cm <sup>2</sup>
Dimensions ( L x W x H )	: 1210mm x 955mm x 1900mm
Gross Weight	: 1100 kgs
Shipping Dimensions ( L x W x H )	: 1600mm x 1400mm x 2100mm
Shipping Weight	: 1300kgs Approx.



Due to continuous product improvement and customer interaction, designs and specifications may be modified or updated without notice.

More than 3 decades of service to pharmaceuticals industry and over 1000 PAM machines installed and operating worldwide speak of our technology and commitment to quality.



**ACG-pam**

**ACG Pam Pharma Technologies Pvt Ltd**

127 Kandivli Industrial Estate Kandivli (W) Mumbai - 400 067 India Tel : 91 22 3078 0701 / 02. Fax : 91 22 2868 3091

Email : sales.pam@acg-world.com Website : www.acg-pam.com





**AF 90 T. Execute large batches with lesser change-over time.**

The AF-90 T is a fully automatic capsule-filling machine that can fill a large variety of powder formulations into hard gelatin capsules.

**Output :** 90,000 capsules per hour for powders

**Filling :** Powders / Pellets / Micro-tablets / Capsule

For multiple combination fillings, ask for CODE (Customized Oral Dosage Encapsulation) Series attachments. CODE Series attachments can be retro-fitted (can be fitted later even after the AF machine is installed)

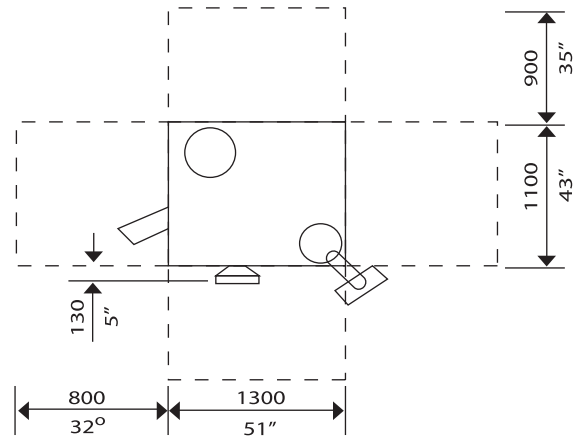
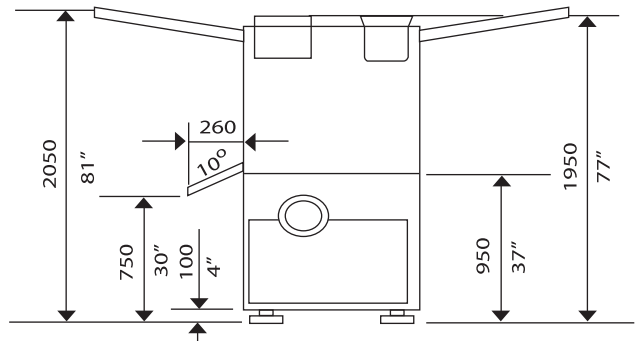
**Salient features :**

- Conforms to cGMP guidelines
- High filling accuracy due to precise slug dosing principle
- Better yield due to high filling accuracy and less powder wastage
- Partial filling capability (upto 25 mg) for any size of capsule from # 000 to 5
- Fills powder/ pellets/ tablets/ micro-tablets/ capsule in capsule
- Easy and quick capsule size and product changeover
- Easy to operate touch screen
- Machine control from main panel
- Auto shut off for any malfunction with audio-visual message display
- Filled capsule sorting
- ACG Pam Accura, an online, 100% check weigher can be integrated onto the machine and is optional
- For fluffy, sticky, heat sensitive non-slug forming and dry mixing formulations, the patented technology, ZRM variant - ZRO 90T is available.

# AF-90 T Automatic Capsule Filling Machine.

## Technical Data

Output	: Upto 90,000 capsules / hour for power filling : Upto 80,000 capsules / hour for pellet filling : Upto 50,000 capsules for Tablet filling ( Single tablet )
Electric Supply	: 415V, 3 Phase +N +E, 50 Hz, A.C.
Main Motor	: 1.5 kW ( 2 HP ) at 1440 rpm.
Vacuum Required ( Capsule Separation )	: 1100 LPM at 26° of mercury
Vacuum Required ( Cleaning )	: 2800 LPM at 4° of mercury
Compressed Air	: 300 LPM at 6kg/cm <sup>2</sup>
Connected Load	: 2.0kW ( 3 HP ) approx. for machine only
Connected Load	: 8.0kW ( 11 HP ) approx for machine with vacuum pump, air compressor & ADU.
Dimensions ( L x W x H )	: 1650mm x 1290mm x 2050mm
Gross Weight	: 2350 kgs
Shipping Dimensions ( L x W x H )	: 2140mm x 1600mm x 2200mm
Shipping Weight	: 2550kgs Approx.



Due to continuous product improvement and customer interaction, designs and specifications may be modified or updated without notice.

More than 3 decades of service to pharmaceuticals industry and over 1000 PAM machines installed and operating worldwide speak of our technology and commitment to quality.



**ACG Pam Pharma Technologies Pvt Ltd**

127 Kandivli Industrial Estate Kandivli (W) Mumbai - 400 067 India Tel : 91 22 3078 0701 / 02. Fax : 91 22 2868 3091

Email : sales.pam@acg-world.com Website : www.acg-pam.com





### **AF 150T. Higher Output with Greater Flexibility.**

The AF 150T offers great amount of flexibility in scaling-up your capsule filling operations with output of up to 150,000 capsules per hour. A complete solution for oral dosage with capabilities to fill pellets, powders, tablets, granules and combinations, the AF 150T is ideal for high-batch production.

For multiple combination fillings, ask for CODE (Customized Oral Dosage Encapsulation) Series attachments. CODE Series attachments can be retro-fitted (can be fitted later even after the AF machine is installed).

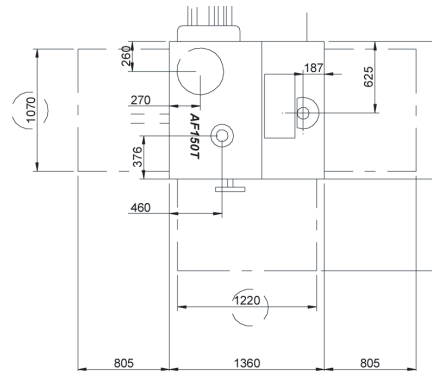
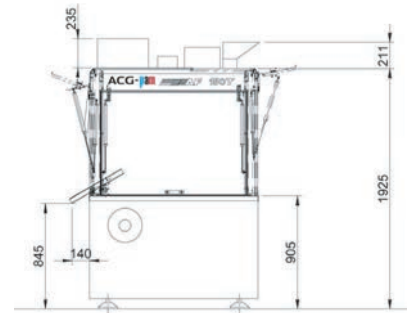
**Features:**

- High-filling accuracy due to precise slug dosing principle
- Better yield due to high-filling accuracy and less powder wastage
- Partial-filling capability (up to 25 mg) for any size of capsule from 000 to 5
- Fills powder/pellets/tablets/micro-tablets/capsule-in-capsule and other combinations
- Conforms with cGMP guidelines
- Easy and quick capsule size and product changeover
- Easy to operate touch screen
- Machine control from main panel
- Auto shut off for any malfunction with audio-visual message display
- Filled capsule sorting
- Can be integrated with Accura an online 100% checkweigher

# AF 150T Automatic Capsule Filling Machine

## Technical Data

Output	: Up to 150,000 capsules per hour (for Powder Filling) Up to 110,000 capsules per hour (for Pellet Filling)
Electric Supply	: 415V, 3 Phase, +N +E, 50 Hz, A. C. (or according to customer specification)
Main Motor	: 2.2 kW variable speed
Vacuum Required (Capsule Separation)	: 1100 LPM at 26" of mercury
Compressed Air	: 500 LPM at 6kg/cm <sup>2</sup>
Connected Load	: 2.6 kW approximately for machine only 14.0 kW approximately for machine with vacuum pumps, vacuum cleaner and air compressor.
Dimensions (L x W x H)	: 1350mm x 1200mm x 2350mm
Gross Weight	: 2,800 kgs
Shipping Dimensions (L x W x H)	: 2133mm x 1828mm x 2286mm
Shipping Weight	: 3,300 kgs



Due to continuous product improvement and customer interaction, designs and specifications may be modified or updated without notice.

More than 3 decades of service to pharmaceuticals industry and over 1000 ACG PAM machines installed and operating worldwide speak of our technology and commitment to quality.



## ACG-pam®

**ACG Pam Pharma Technologies Pvt Ltd**

127 Kandivli Industrial Estate Kandivli (W) Mumbai - 400 067

India Tel : 91 22 3078 0701 / 02. Fax : 91 22 2868 3091

Email : sales.pam@acg-world.com Website : www.acg-pam.com





### **ZRO 200 T. Maximize output with minimum product loss.**

The ZRO-200 T offers one of the fastest capsule filling speeds, of up to 200,000 capsules per hour for powder formulation and up to 170,000 capsules per hour for pellets. It offers feasibility of Microdosing up to 15 mg with an accuracy of  $\pm 2$ mg depending up on the formulation characteristics and flow properties.

The machine is equipped with ACG's globally patented ZRM technology, which minimizes segregation during operation, thereby reducing waste and fugitive dust.

**Output :** Up to 200,000 capsules per hour for powders

**Filling :** Powders / Pellets

For combination filling, feasibility will be confirmed by ACG Pam depending on the doses to be filled

#### **Salient features :**

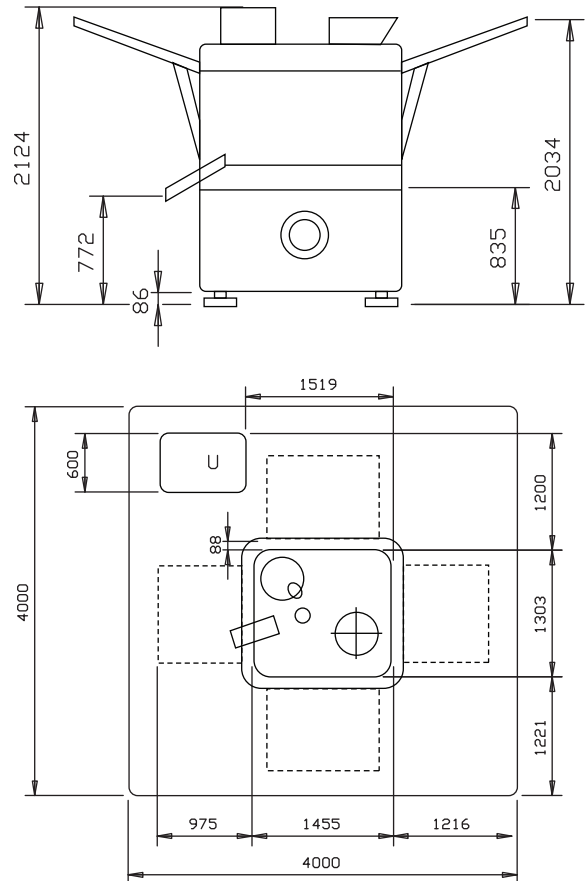
- Conforms to cGMP guidelines
- Precise slug dosing principle ensures high fill accuracy
- Better yield due to low dusting and minimal wastage
- Microdosing capability (up to 15 mg  $\pm$  2mg)
- Fills powder/ pellets in capsule of any size from # 000 to 5
- Easy and quick capsule size and product changeover
- Easy to operate touch screen (MMI)
- Smart in-built logic & alarm for operator safety



# ZRO-200 T Automatic Capsule Filling Machine.

## Technical Data

Output	: Upto 200,000 capsules / hour for powder filling : Upto 170,000 capsules / hour for pellet filling
Electric Supply	: 415V, 3 Phase +N +E, 50 Hz, A.C.
Main Motor	: 1.5 kW ( 2HP ) at 1440 rpm.
Vacuum Required	: 1100 LPM at 26° of mercury (Capsule Separation)
Vacuum Required	: 2800 LPM at 4° of mercury (Cleaning )
Compressed Air	: 45 Cu.mtr / hour.
Connected Load	: 2.0kW ( 3HP ) approx for machine only
Connected Load	: 8.0kW ( 11HP ) approx for machine with vacuum pump, air compressor & ADU.
Dimensions ( L x W x H )	: 1450mm x 1700mm x 2200mm
Gross Weight	: 3200 kgs
Shipping Dimensions ( L x W x H )	: 2100mm x 1950mm x 2400mm
Shipping Weight	: 3500kgs Approx.



Due to continuous improvement in design and customer interaction, designs and specifications are subject to change without prior notice.

More than 3 decades of service to the pharmaceutical industry and over a 1000 PAM machines installed and in operation globally speaks of our technology, service and commitment to quality.



## ACG-pam®

**ACG Pam Pharma Technologies Pvt Ltd**

127 Kandivli Industrial Estate Kandivli (W) Mumbai - 400 067 India Tel : 91 22 3078 0701 / 02. Fax : 91 22 2868 3091

Email : sales.pam@acg-world.com Website : www.acg-pam.com





**CODE Series. Combination filling on AF, just made easy.**

CODE stands for 'Customized Oral Dosage Encapsulation' and these are custom-made attachments for combination fillings, retro-fittable (can be fitted post machine installation) on AF machines.

The new CODE Series attachments are dependable and allow for gentle dosing of filling combinations. Fill granules, powders, mini & micro tablets or a capsule easily in a capsule, in combination.

***Some of the preferred filling possibilities are as follows:***

- Two different types of pellets in a single capsule
- Two different types of micro-tablets in a single capsule
- Tablet/capsule + powder in a single capsule
- Count-based micro-tablets in a single capsule
- Any other combination that can be designed based on feasibility and later custom-made to suit your requirements

**CODE**  
Backed by  
successful  
installations  
across the globe  
**Series**

## The special application is here.

The CODE SERIES from ACG PAM sets new standards in the encapsulation market. This new innovation in 'Special Purpose Products' builds on the success of AF Series machines and its innovative improvements to a number of the machine functions. Proven technology and a customer-friendly design guarantees you pharmaceutical safety, economic efficiency and highly efficient handling.

This innovative technology offers a number of major benefits. The most advantageous being the convenience of combination filling in a single capsule.

Remember, the CODE SERIES can be easily retro-fitted on the existing AF machine.

### Salient features:

- Disc type attachment for delivery of multiple micro-tablets
- Upto 2 attachments able to deliver at the same time
- Mini-tablet attachment
- Output in the range of 30-55 SPM depending upon the application
- Quick changeover to powders, pellets or combination fillings
- Dual Camera vision system for rejection
- Solution can be custom made as per your requirement
- Track record of successful installations across the globe
- Conforms to cGMP guidelines

Due to continuous improvement in design and customer interaction, designs and specifications are subject to change without prior notice.

More than 3 decades of service to the pharmaceutical industry and over a 1000 ACG PAM machines installed and in operation globally speaks of our technology, service and commitment to quality.



# ACG-pam<sup>®</sup>

**ACG Pam Pharma Technologies Pvt Ltd**

127 Kandivli Industrial Estate Kandivli (W) Mumbai - 400 067 India

Tel : 91 22 3078 0701 / 02. Fax : 91 22 2868 3091

Email : sales.pam@acg-world.com Website : www.acg-pam.com



**ACG Pam Pharma Technologies Pvt. Ltd.**

127, Kandivali Industrial Estate, Kandivali (West), Mumbai - 400 067, India

Tel: +91.22.3078.0701/02; Fax: +91.22.2868.3091

E-mail: sales.pam@acg-world.com

---

**BANGLADESH**

AGG Bangladesh Pvt. Ltd.

House No. 369, Road No. 28,

Flat No. 4A, New DOHS Mohakhali,

Dhaka-1206, Bangladesh

**BRAZIL**

ACG do Brasil S/A

1714, Rua Cristovão Pereira Campo Belo, São Paulo, 04620-013 Brazil

Tel: +55.11.5096.1704

Email: sales.brasil@acg-world.com

**CHINA**

ACG (Shanghai) Co. Ltd.

1607, Guoli Mansion, 1465 Beijing Rd, Shanghai 200040

Tel: +86.21.5212.0007; Fax: +86.21.5212.0042

Email: sales.china@acg-world.com

**EUROPE**

ACG Europe Ltd.

159 Princes Gardens, London, W3 0LS, UK

Tel: +44.208.932.0308

Email: sales.acpl@acg-world.com

**INDONESIA**

P.T. ACG Indonesia Ltd.

Jl. GadingKirana Barat IX, Blok C10 No. 26,

KelapaGading, Jakarta Utara -14240, Indonesia

Tel: +62.21.45874093; Fax: +62.21.45874011

Email: acg.indonesia@acg-world.com

**NORTH AMERICA**

ACG North America LLC

229, Durham Ave., South Plainfield, NJ 0780, USA

Tel: +1.908.7573425; Fax: +1.908.757.3287; Toll Free: +1.877.618.3344

Email: sales.acgna@acg-world.com

**THAILAND**

ACG Capsules (Thailand) Co. Ltd.

Ocean Tower 2,

17th Floor, Soi Sukhumvit 19 (Wattana)

Sukhumvit Rd, Kwaeng klongtoey Nua,

Khet Wattana, Bangkok 10110

Phone: +66.266.1777/+66.266.1772

Fax: +66.266.1773