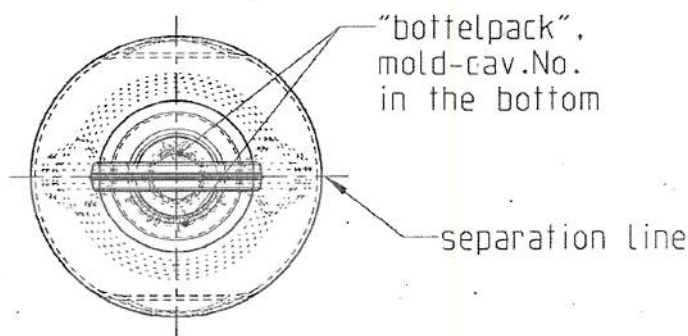
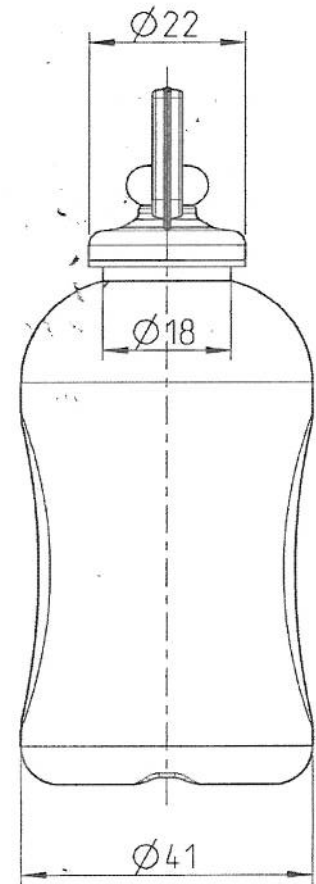
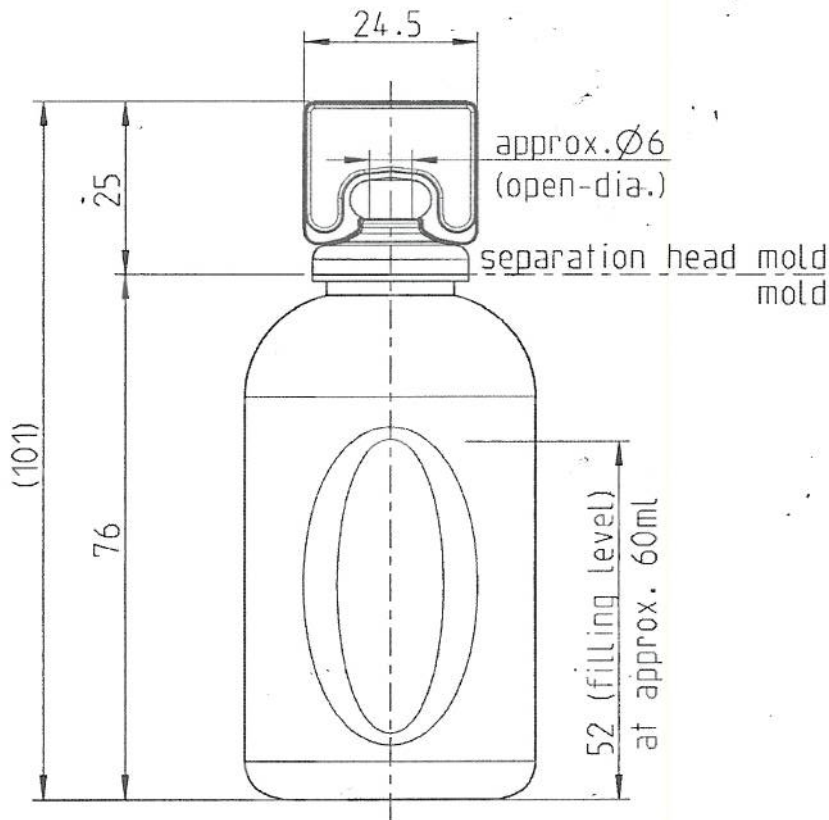


This Document is our Property and contains Proprietary and Confidential Information which must not be reproduced or disclosed for any purpose without our written authorization. We disclaim any warranty or representation that the goods discussed in this Document do not infringe the Intellectual Property Rights of third parties. This Document is covered by our General Terms and Conditions that are well known to the Customer.



APPROVED JUL 31 2013



1:2

2.Rev.:changed head: 2013-07-12 B00
 1.Rev.:80>76; 28>25; Ø39>Ø41; 56>52. 2013-04.03 Antal

		Maßstab: 1:1	Benennung: bottelpack-Flasche 4x14x60ml-364		
		Datum: 2013-03-05	Name: Holz	Zeich.-Nr.: 3417J-A34B10	
Körper-Plastik-Maschinenbau GmbH		Gepr.: 2013-03-05	Hammer	ZF: 4	Änd.: 02

