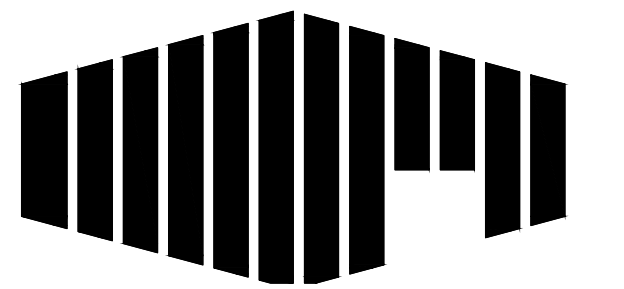
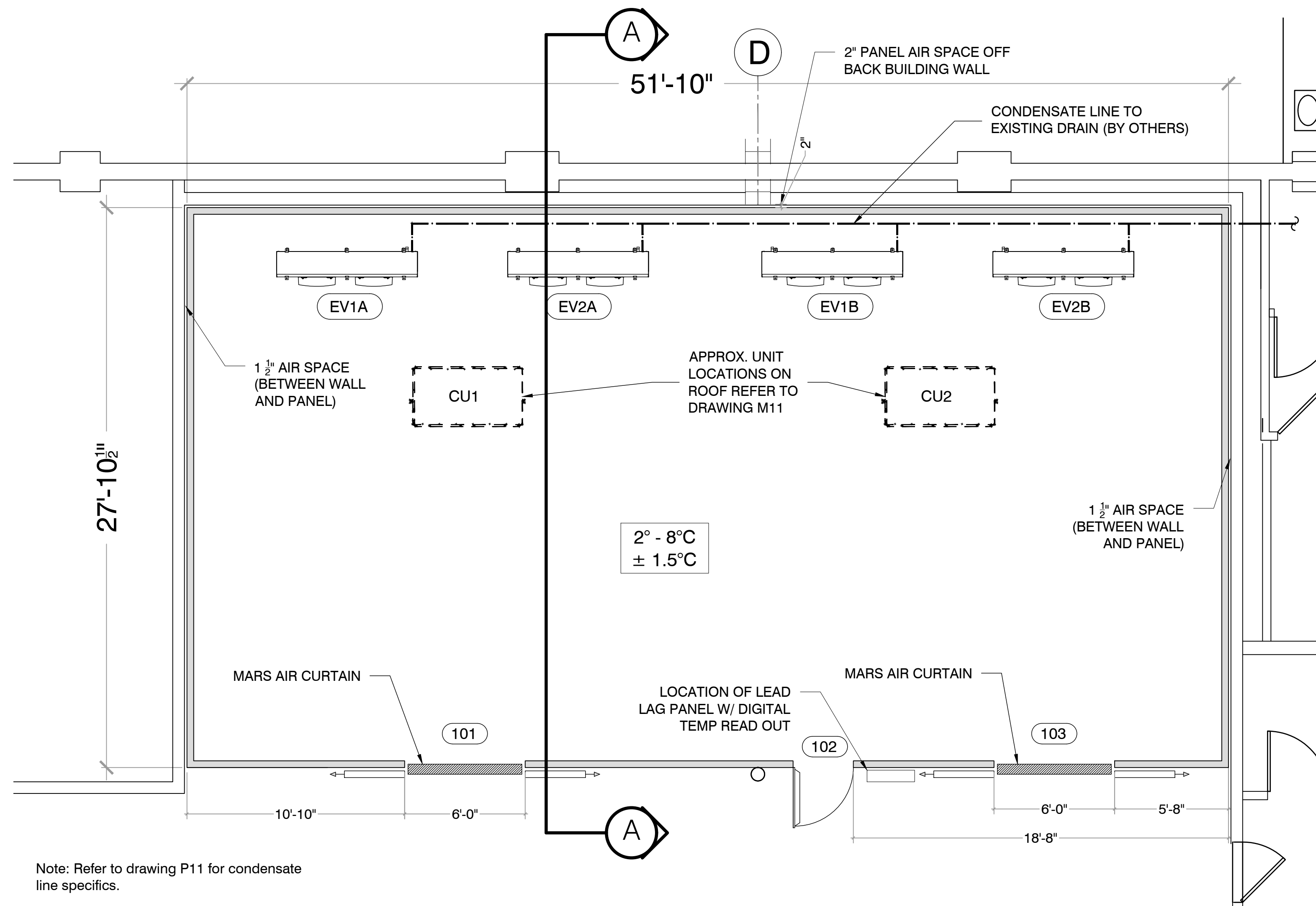


Contractor



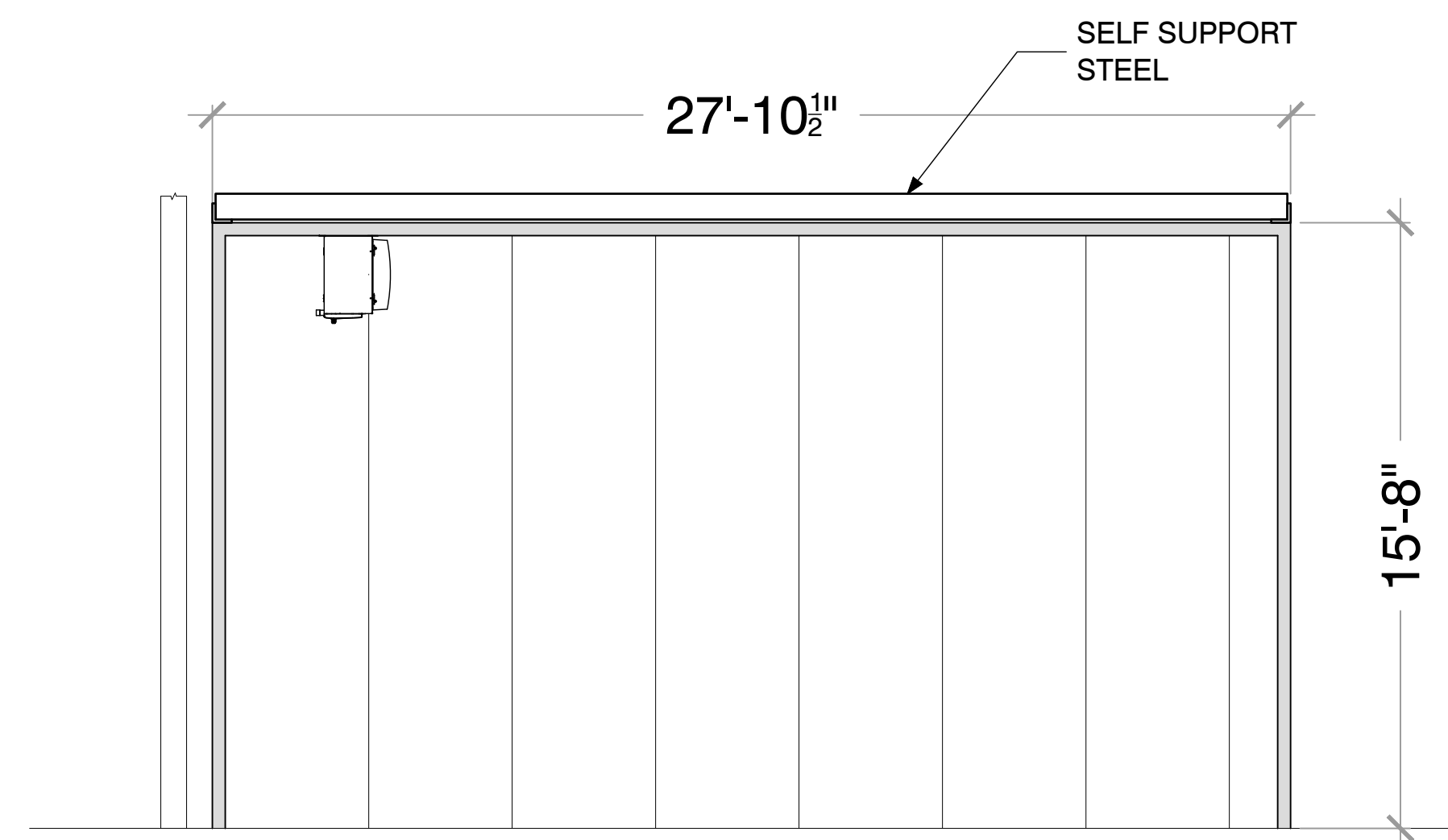
S&S Refrigeration Co.
733 Communipaw Ave.
Jersey City, NJ 07304
201-434-7266

General Notes

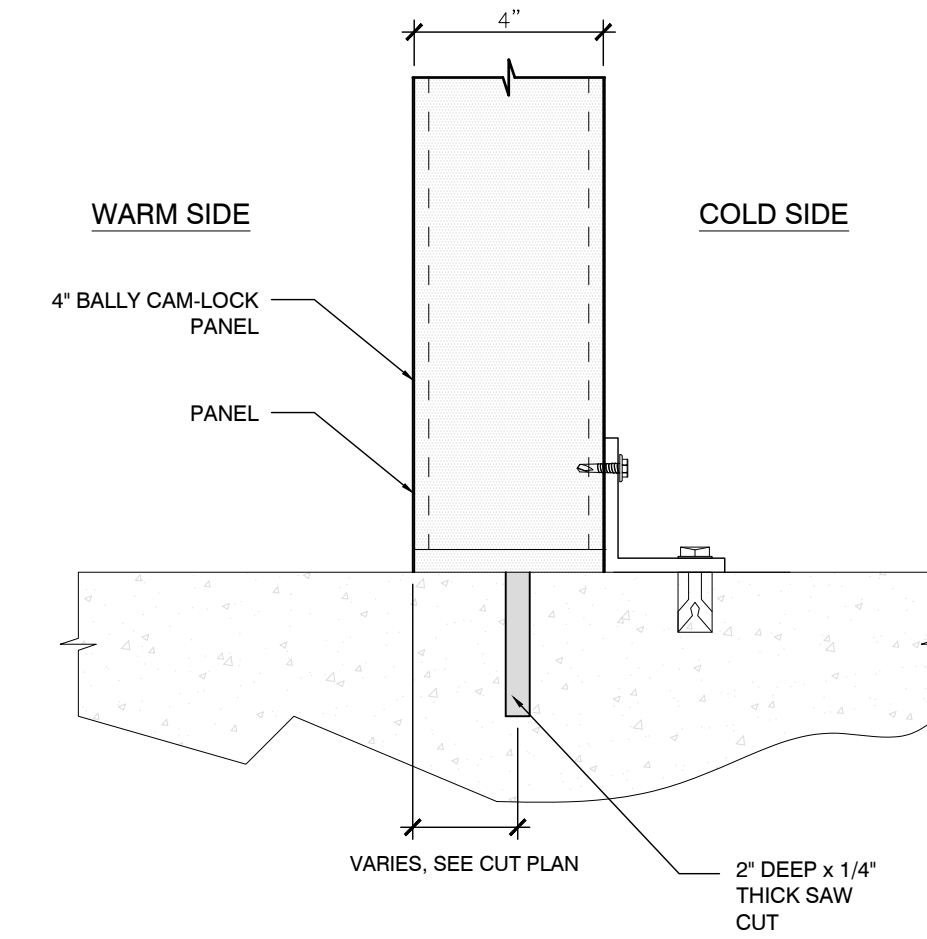


1 Floor Plan
SCALE: 1/4" = 1'-0"

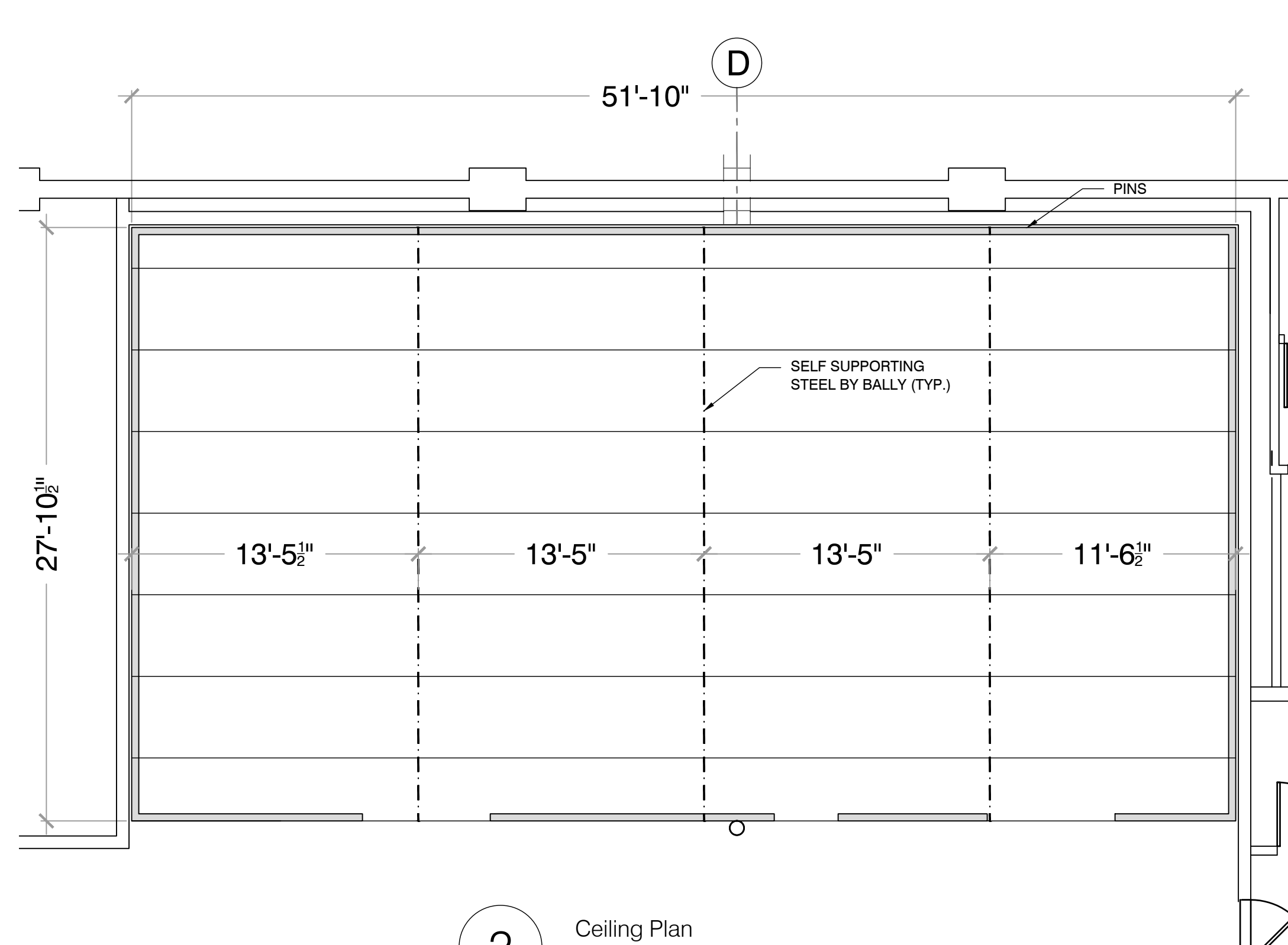
Note: Refer to drawing P11 for condensate line specifics.



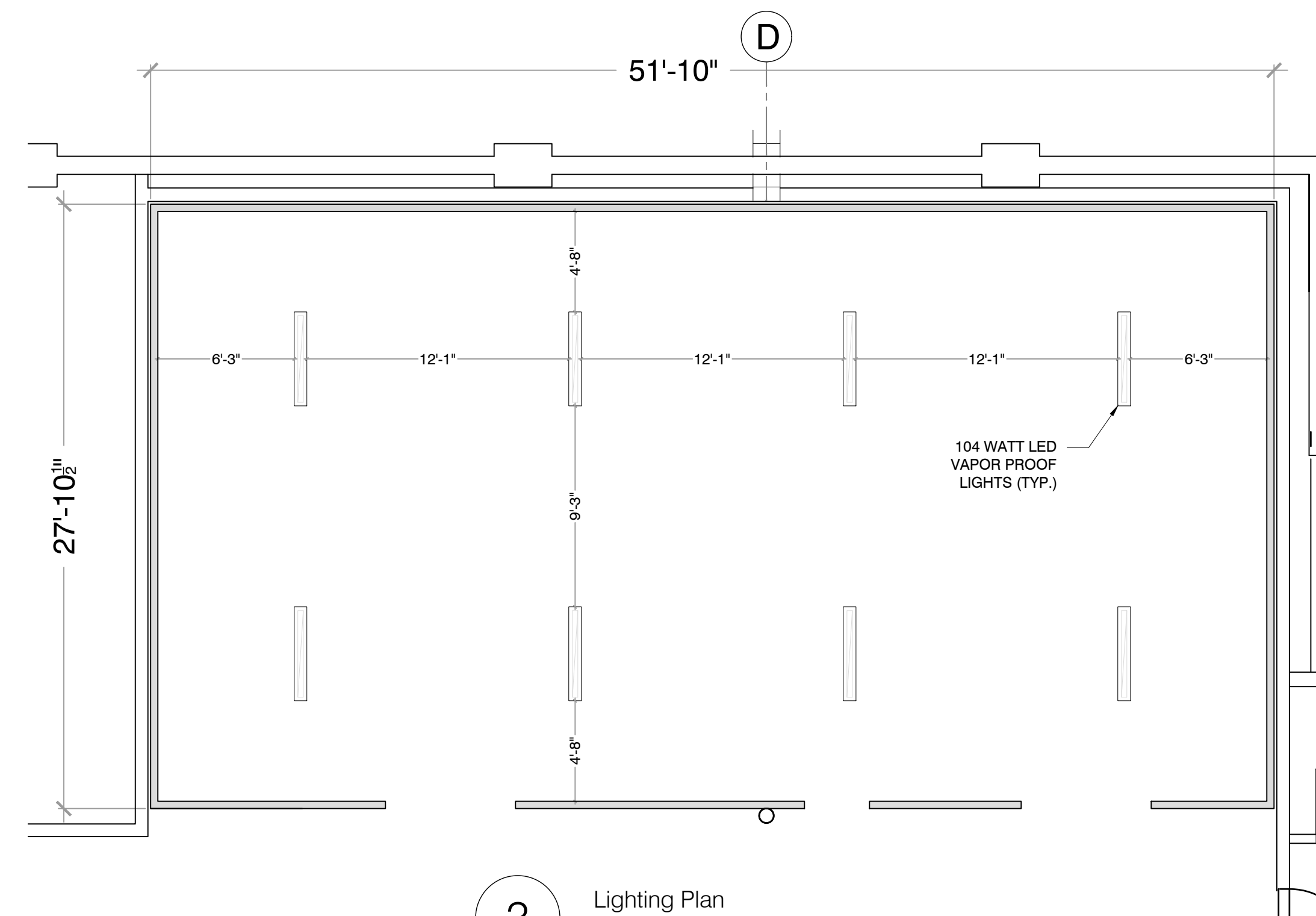
5 Section View A
SCALE: 1/4" = 1'-0"



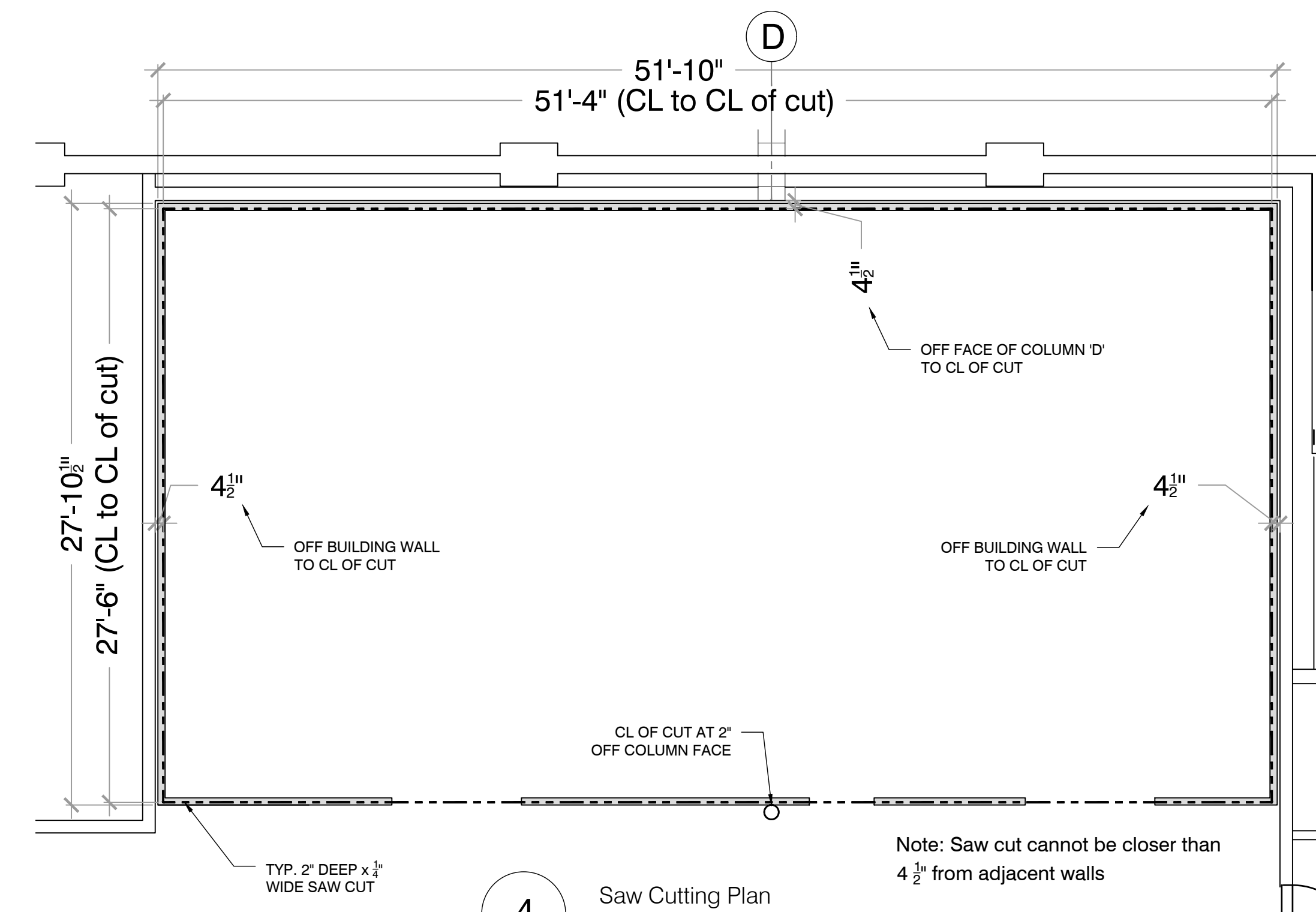
6 SawCut Detail
SCALE: NTS



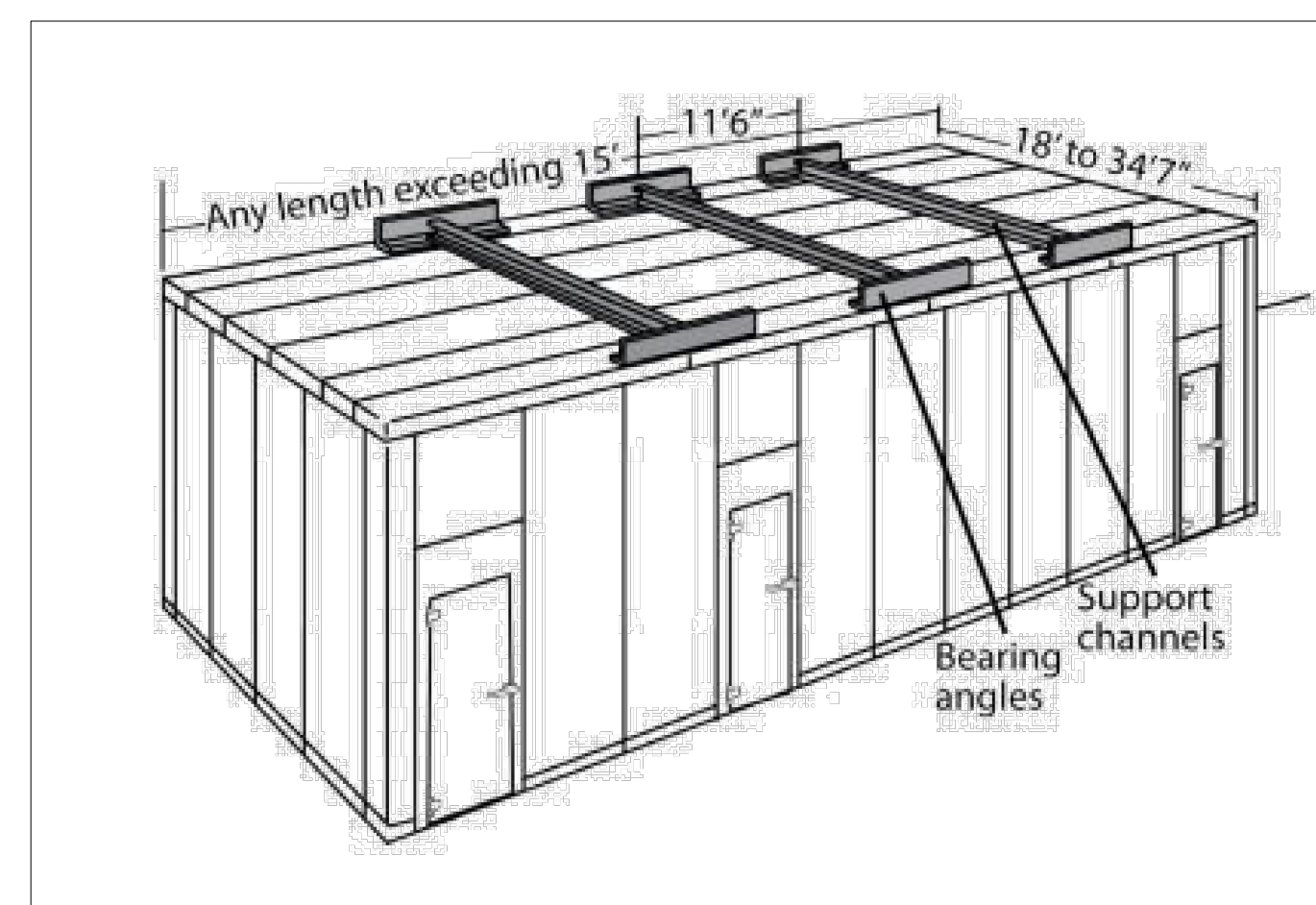
2 Ceiling Plan
SCALE: 3/16" = 1'-0"



3 Lighting Plan
SCALE: 3/16" = 1'-0"



4 Saw Cutting Plan
SCALE: 3/16" = 1'-0"



7 Typical Self Supporting Diagram
SCALE: NTS

Door Schedule - Immunomedics														
NO.	ROOM	DOOR TYPE	MANUFACTURER	SIZE	OPERATION	TYPE	HARDWARE	BUMPER	DOOR CLOSER	VOLTS	FRAME	COLOR	EGRESS	WINDOW
101	117A	Electric Bi-Part	Bally	6'-0"x8'-0"	Dual	Slide								
102	117B	Man Door	Bally	3'-0"x6'-6"	LHR	Swing								Yes
103	117B	Electric Bi-Part	Bally	6'-0"x8'-0"	Dual	Slide								

Machine #	Refrigerant	Unit Suction	Unit Liquid	Room/Area	Condenser								Evaporator				FAN				DEFROST				Unit Weight
					height (in)	Design Temp	Condenser	SST BTU/hr	Volts	Phase	MCA AMP	MOP AMP	Weight	Machine #	Evap	BTU/hr ea. ET	Volts	Phase	MOP Fan	Defrost Amp 1 phase	MOP DEF	MCA			
CU1	R407A	1 3/8"	5/8"	117A	49-7/8"	2'-8"	BEZA076-H8	77940	460	3	23.8	40	635 lbs	EV1a	BMP245-MA	43178	460	1	15		2.0	254			
														EV1b	BMP245-MA	43178	460	1	15		2.0	254			
CU2	R407A	1 3/8"	5/8"	117B	49-7/8"	2'-8"	BEZA076-H8	77940	460	3	23.8	40	635 lbs	EV2a	BMP245-MA	43178	460	1	15		2.0	254			
														EV2b	BMP245-MA	43178	460	1	15		2.0	254			

*Less A19 Thermostats

Project

Immunomedics/Gilead
300 The American Rd.
Morris Plains, NJ

Drawn By: ML
Checked By: DH
Approved By: ---

Sheet Name
New Cooler Plans

Date
7/26/2021

Project #
As Noted

Sheet

R1

No.	Revision Notes	Date
4	Updated per Arch A11 rev0	07.21.21