



X⁴ PipeLine X-ray Systems

www.loma.com

Versatile and proven X-ray detection for the food process industry



- **Versatile** Range of pipe diameters to suit a wide range of free flowing product
- **Easy to use** Intuitive full colour touch-screen
- **Sensitive** Each product run is independently analyzed with its own inspection profile
- **Fast** Throughput in excess of 10T/hr without loss in performance
- **Reliable** Heavy duty components, high quality electronics, waterproof to IP66

Metal Detection

X-ray Inspection

Checkweighers

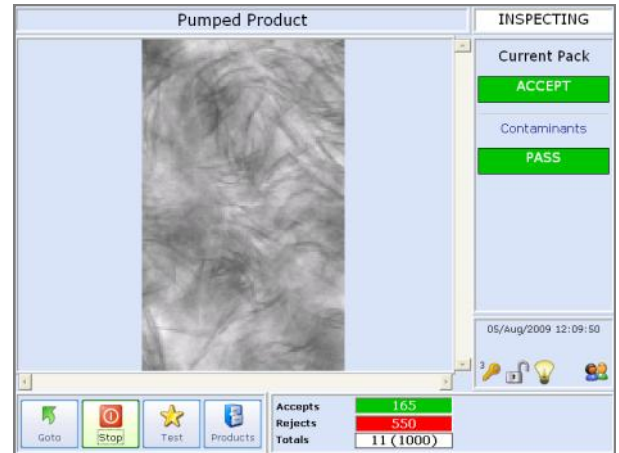
Data Capture

Designed to Survive



X-ray Inspection Systems

- Finish: 304 stainless steel with brushed finish
- Typical Line Height: 1050mm ± 100mm
- System Length: 850mm (without reject)
- Pipe Diameter: 64mm or 75mm
- Supply Voltages: 230/1ph/50Hz N+E or 110/1ph/60Hz N+E
- Air Supply: 5 to 8 bar
- Reject Options: ARC valve, signal only, others to suit
- Environment: IP 66
- Fittings: RD80, Tri-clamp, + range of adaptors
- Standard Inclusions: Adjustable feet, Remote Reports, Hinged interlocked covers
- Options: Variable speed tacho, Clip Inhibit, Survey meter, Remote diagnostics, Lockable wheels.



Technical Specification

Industrial Grade PC with modem, Ethernet and front access USB port

Embedded Windows XP operating system

Digitally controlled WASC (Wide Angle, Self Cooled) high performance X-ray tank. (Tube life estimated at 7 to 10 years)

Unique USB high speed, high stability, detector array with 0.8mm diode pitch.

Computer vision system utilising image processing and morphological techniques

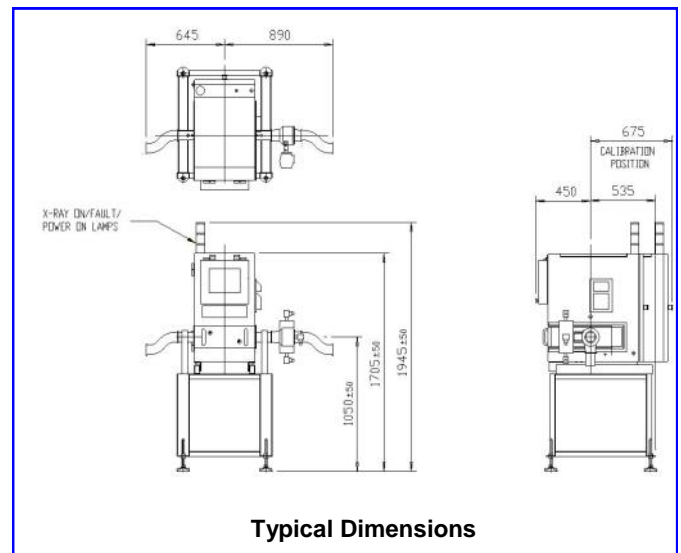
Pass Key protected set-up

USB Report and image archiving

Full diagnostic and system health monitoring with date and time stamp archiving, including remote support tools

Usage monitoring with planned maintenance prompts

Modular system with speed digital communications between major components



Loma Systems, Summit Ave, Southwood, Farnborough, Hampshire, GU14 0NY

Tel: +44 (0)1252 893300

Fax: +44 (0)1252 513322

Email: sales@loma.co.uk

