

# Large Cooler



**NATIONAL REFRIGERATION AND AIR CONDITIONING CANADA CORP.**  
 159 ROY BLVD, PO BOX 2020  
 BRANTFORD, ON  
 CANADA N3T 5Y6

(2)

**KEZA076H8-HT4C**  
**EZ-LINE SCROLL**  
**CONDENSING UNITS-AIR**

PURCHASER :	SUBMITTED BY : <b>Charles Sternberg</b>
PROJECT :	DATE : <b>13 Jun 2018</b>
ORDER # : <b>-A00</b>	ITEM # : <b>0</b>
QUOTE # :	ID # :
PURCHASER'S PO # :	TAGGING :

**MODEL FEATURES**

- Copper tubing secured with cushion clamps
- Crankcase heater
- Fixed Flooded head pressure control (unless otherwise indicated)
- High efficiency PSC fan motor with internal overload protection
- Outdoor weather-resistant housing made from G90 galvanized steel
- Pre-formed piping
- Receiver with fusible plug and liquid shut off valve
- Suction Service valve
- Units are shipped with Helium holding charge
- Weatherproof electrical control box with compressor contactor and fused control circuit
- High efficiency enhanced copper tube and aluminium fin coil design
- PrePainted steel cabinet

**MODEL OPTIONS ( \* = Shipped Loose )**

<p><b>PRE-ENGINEERED OPTION PACKAGE</b></p> <p><input type="checkbox"/> 1 A - STD</p> <p><input type="checkbox"/> B</p> <p><input type="checkbox"/> C</p> <p><input type="checkbox"/> D</p> <p><input type="checkbox"/> E</p> <p><input type="checkbox"/> F</p> <p><input type="checkbox"/> G</p> <p><input type="checkbox"/> H</p> <p><input type="checkbox"/> J</p> <p><b>DEFROST FUSING - SHOW SET QTY</b></p> <p><input type="checkbox"/> Up to 30 Amps</p> <p><input type="checkbox"/> 35 Amps to 60 Amps</p> <p><input type="checkbox"/> Over 60 Amps</p> <p><b>ELECTRIC DEFROST KIT (TIMECLOCK INCL.)</b></p> <p><input type="checkbox"/> Up to 40A Htrs, 30A Fans 1 Evap</p> <p><input type="checkbox"/> Up to 60A Htrs, 30A Fans 1 Evap</p> <p><input type="checkbox"/> Up to 40A Htrs, 30A Fans 2 Evap</p> <p><input type="checkbox"/> Up to 60A Htrs, 30A Fans 2 Evap</p> <p><input type="checkbox"/> Up to 80A Htrs, 30A Fans 2 Evap</p> <p><input type="checkbox"/> Up to 60A Htrs, 40A Fans 3 Evap</p> <p><input type="checkbox"/> Up to 80A Htrs, 50A Fans 3 Evap</p> <p><b>DEFROST KIT (USE WITH KE2)</b></p> <p><input type="checkbox"/> Up to 30A per Evap</p> <p><input type="checkbox"/> 35A to 50A per Evap</p> <p><b>115V Control Circuit</b></p> <p><input type="checkbox"/> 30A Contactor</p> <p><input type="checkbox"/> 40A Contactor</p> <p><input type="checkbox"/> 60A Contactor</p> <p><b>ADJUSTABLE PRESSURE CONTROLS</b></p> <p><input type="checkbox"/> Johnson Dual with flex hose</p> <p><input type="checkbox"/> Separate High/Low with flex hose</p> <p><b>BALL VALVE</b></p> <p><input type="checkbox"/> *Liquid Line</p> <p><input type="checkbox"/> Liquid Line</p> <p><input type="checkbox"/> *Suction Line</p> <p><input type="checkbox"/> Suction Line</p>	<p><b>CAPACITY CONTROL - HOT GAS BYPASS</b></p> <p><input type="checkbox"/> To Inlet of Evaporator</p> <p><input type="checkbox"/> To Suction Line</p> <p><input type="checkbox"/> Compressor Circuit Breaker</p> <p><input type="checkbox"/> Compressor Time Delay Relay</p> <p><b>CONDENSING UNIT PRISON PACKAGE</b></p> <p><input type="checkbox"/> Tamper Proof Screws</p> <p><input type="checkbox"/> Crankcase Pressure Regulator</p> <p><input type="checkbox"/> Discharge Air Hood</p> <p><input type="checkbox"/> Discharge Line Check Valve</p> <p><input type="checkbox"/> Discharge Line Thermostat</p> <p><b>DISCONNECT SWITCH</b></p> <p><input type="checkbox"/> Fused</p> <p><input type="checkbox"/> Non-Fused</p> <p><b>EC FAN MOTORS + SPEED CONTROLLER</b></p> <p><input type="checkbox"/> All Motors Variable Speed - 460V Units</p> <p><b>ELECTRONIC PRESSURE CONTROL</b></p> <p><input type="checkbox"/> Low Pressure Control</p> <p><input type="checkbox"/> High Pressure Control</p> <p><b>Export Crating</b></p> <p><input type="checkbox"/> Extended 4-Year Compressor Warranty</p> <p><input type="checkbox"/> Extended Leg Kit</p> <p><b>COIL COATING</b></p> <p><input type="checkbox"/> Heresite Coating</p> <p><input type="checkbox"/> ElectroFin Coating</p> <p><b>FIN AND MATERIAL</b></p> <p><input type="checkbox"/> Gold Coat Fins</p> <p><input type="checkbox"/> Copper Fins</p> <p><b>Hail Guard for Condenser</b></p> <p><input type="checkbox"/> Heated and Insulated Receiver</p> <p><input type="checkbox"/> Hoffmann Fan Speed Control</p> <p><b>HOUSING MATERIAL</b></p> <p><input type="checkbox"/> Stainless Steel</p> <p><input type="checkbox"/> Insulated Suction Line</p> <p><b>LIMITROL+ HEAD PRESS CTRL SYSTEM</b></p> <p><input type="checkbox"/> 460V Condensing Units</p>	<p><b>LIQUID LINE FILTER + SIGHT GLASS</b></p> <p><input type="checkbox"/> Sealed</p> <p><input type="checkbox"/> Replaceable</p> <p><input type="checkbox"/> Liquid Line Lock-Out Relay</p> <p><b>LIQUID LINE SOLENOID VALVE</b></p> <p><input type="checkbox"/> *Standard 230V Coil</p> <p><input type="checkbox"/> *Standard 115V Coil</p> <p><b>OIL SEPARATOR</b></p> <p><input type="checkbox"/> Standard</p> <p><input type="checkbox"/> With Oil Filter and Solenoid</p> <p><b>One Time Pump Down</b></p> <p><input type="checkbox"/> Oversized Receiver</p> <p><b>PHASE / VOLTAGE MONITOR</b></p> <p><input type="checkbox"/> 3-Lead</p> <p><input type="checkbox"/> 6-Lead (MotorSaver455)</p> <p><input type="checkbox"/> Pump Down Toggle Switch</p> <p><input type="checkbox"/> QuickVac Valves</p> <p><input type="checkbox"/> Receiver Inlet Ball Valve</p> <p><b>RECEIVER LEVEL INDICATOR</b></p> <p><input type="checkbox"/> Dual Sightglass</p> <p><input type="checkbox"/> Single Point Electrical</p> <p><input type="checkbox"/> Sub Cooling Circuit</p> <p><b>SUCTION ACCUMULATOR</b></p> <p><input type="checkbox"/> With Heat Exchanger</p> <p><input type="checkbox"/> Without Heat Exchanger</p> <p><b>SUCTION FILTER</b></p> <p><input type="checkbox"/> Sealed Type</p> <p><input type="checkbox"/> Replaceable Core</p> <p><b>TIME CLOCK</b></p> <p><input type="checkbox"/> Paragon 8145 Style</p> <p><input type="checkbox"/> *230V Paragon 8145 Style</p> <p><input type="checkbox"/> *115V Paragon 8145 Style</p> <p><input type="checkbox"/> Two Valve Adjustable Flooded Head Pressure Control</p> <p><input type="checkbox"/> Wind Guard</p> <p><input type="checkbox"/> Less Flooding Valve(s)</p>
--	--	--

<b>VOLTAGE</b>		<b>SYSTEM REFRIGERANT</b>		<b>RATING</b>	<b>SUCTION TEMP</b>	<b>AMBIENT TEMP</b>	<b>CAPACITY</b>
460/3/60		R407A		7.6Hp	26.2 °F	95 °F	77940 BTUH
<b>FANS</b>			<b>COMPRESSOR</b>			<b>CIRCUIT TOTAL</b>	
QTY	POWER	FLA/FAN	TYPE	QTY	RLA	LRA	AMPS
2	800W	1.1	ZB66K5E-TFD-260		17.3	114	19.5
<b>LIQUID</b>		5/8 in	<b>SOUND</b>	-		<b>REC CAPACITY</b>	
<b>SUCTION</b>		1 3/8 in	<b>WEIGHT</b>	635 lb		<b>REF CHARGE</b>	
						54 lb	



NOTES:  
 † MCA.. Minimum Circuit Ampacity, ‡ MOP.. Maximum Overcurrent Protection  
**MCA & MOP are for the condensing unit ONLY. Single point connections WILL show different on dataplate.**

**APPROVED BY :** \_\_\_\_\_ **DATE :** \_\_\_\_\_

Approval of this drawing signifies that the equipment is acceptable under the provision of the job specifications. Any change made hereon by any person whomsoever subject to acceptance by NATIONAL REFRIGERATION at its home office.

**NATIONAL REFRIGERATION AND AIR CONDITIONING CANADA CORP.**  
 159 ROY BLVD, PO BOX 2020  
 BRANTFORD, ON  
 CANADA N3T 5Y6



Order Item No: 0  
**KEZA076H8-HT4C**  
 EZ-LINE SCROLL  
 CONDENSING UNITS-AIR

(2)

DATE : 13 Jun 2018  
 PURCHASER :  
 PROJECT :  
 SUBMITTED BY : Charles Sternberg

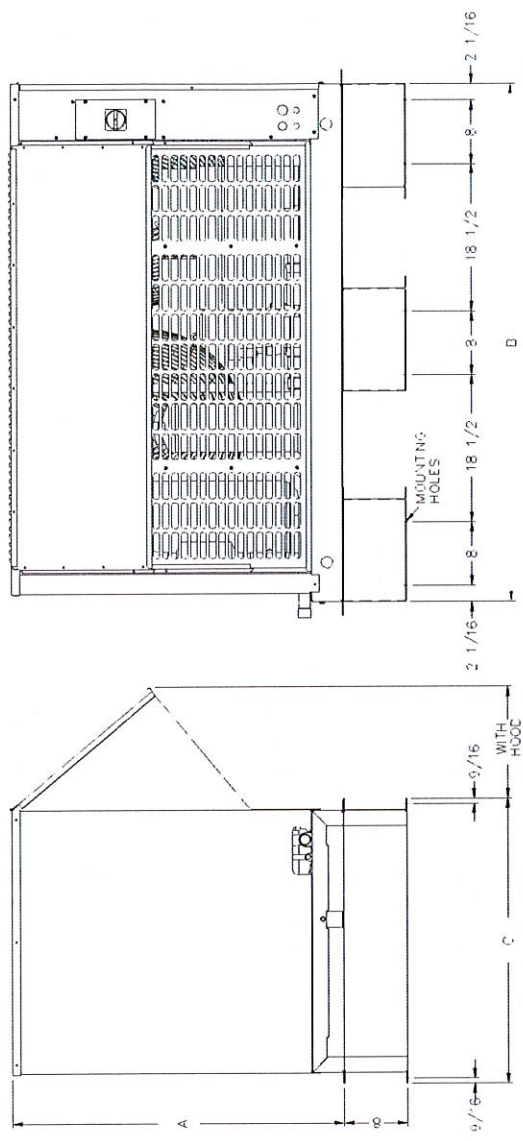
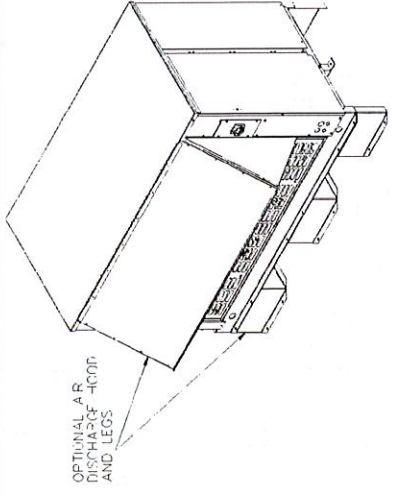
NATIONAL REFRIGERATION will furnish equipment in accordance with this drawing and specifications, and subject to its published warranty. Approval of this drawing signifies that the equipment is acceptable under the provision of the job specifications. Any change made hereon by any person whomsoever subject to acceptance by NATIONAL REFRIGERATION at its home office.

Dimensions shown are for standard unit less options.

DIMENSIONS	
DIMENSION A	41 7/8 in
DIMENSION B	65 1/8 in
DIMENSION C	35 7/8 in
DIMENSION D	7 1/8 in
DIMENSION E	
DIMENSION F	
DIMENSION G	0 in
DIMENSION H	

CONNECTIONS	
LIQUID	5/8 in
SUCTION	1 3/8 in
DRAIN	
WATER	
DISCHARGE	
PAN LOOP	
HOT GAS SIDE PORT	
HOT GAS INLET	
HOT GAS OUTLET	
OTHER	
SHIPPING WEIGHT	635 lb
REFRIGERANT CHARGE	
RECEIVER CAPACITY	54 lb

APPROVALS	



NOTES:

# Large Cooler



## NATIONAL REFRIGERATION AND AIR CONDITIONING CANADA CORP.

159 ROY BLVD, PO BOX 2020  
BRANTFORD, ON  
CANADA N3T 5Y6

(4)

## KMP245MA-S4A-C

**MEDIUM PROFILE  
EVAPORATOR**

PURCHASER :

SUBMITTED BY : **Charles Sternberg**

PROJECT :

DATE : **13 Jun 2018**

ORDER # : **-A00**

ITEM # : **0**

QUOTE # :

ID # :

PURCHASER'S PO # :

TAGGING :

### MODEL FEATURES

- 3/8" Tubing coil construction (reduces refrigerant operating charge)
- Factory installed solenoid valve wire harness
- Heavy gauge textured aluminum cabinet construction resists scratches/corrosion
- High efficiency PSC fan motor with internal overload protection

- NSF approved "flush to ceiling mount"
- Spacious piping end compartment allows for easy assembly
- Unit is shipped upright for convenient handling and quick installation
- Totally Enclosed, Internally Protected, Ball Bearing Motors

- Schrader connection on suction header
- Hinged access panels to spacious electrical and header compartments
- Attractive and durable high density polyethylene fan guards
- High efficiency enhanced copper tube and aluminium fin coil design
- 6 FPI

### PRE-ASSEMBLED EVAP

- Sporlan TXV, LLSV, T-stat
- Emerson TXV, LLSV, T-stat
- EEV Kit - Sporlan EEV + Kelvin II
- EEV Kit - Emerson EEV + EXD-SH1
- KE2 Evap Efficiency w/Sporlan TXV
- KE2 Evap Efficiency w/Sporlan EEV
- \*KE2 Evap Efficiency w/Sporlan TXV
- \*KE2 Evap Efficiency w/Sporlan EEV
- KE2 Evap Efficiency w/KE2 EEV
- \*KE2 Evap Efficiency w/KE2 EEV

### Aux Sideport Connector

### CABINET FINISH

- Painted White
- Painted Black
- Stainless Steel

### SENSORS FOR CPC I/O BOARDS

- Coil Temp Sensor
- Return Air Temp Sensor
- Suction Pressure Transducer

### DEMAND DEFROST ELECTRONIC CONTROLLER

- KE2 Therm Evaporator Efficiency
- \*KE2 Therm Evaporator Efficiency

### Dual Circuit

### ELECTRONIC CONTROLLER

- KE2 Temp+Defrost
- \*KE2 Temp+Defrost

### MODEL OPTIONS ( \* = Shipped Loose )

#### EXPANSION VALVE

- Sporlan TXV
- Emerson TXV
- Sporlan EEV
- Emerson EEV
- KE2 Therm EEV

#### SENSOR + TRANSDUCER FOR EEV

- for use with Emerson EEV
- for use with KE2 Therm EEV
- Other Brand - Specify in Notes

#### ELECTRONIC SH CONTROLLER FOR EEV

- \*Sporlan Kelvin II EEV Controller
- \*Emerson EEV Controller
- \*Other EEV Controller- Specify MFR Model in Notes

#### EVAPORATOR PRISON PACKAGE

- Tamper Proof Screws

#### Export Crating

#### COIL COATING

- Heresite Coating
- ElectroFin Coating

#### FIN AND MATERIAL

- Gold Coat Fins
- Copper Fins

#### Insulated Drain Pan

#### KE2 THERM

- \*SmartGate Router #20695
- \*8 Port Switch #20166

#### KE2 THERM Continued

- \*CAT5e Shielded Cable - 50ft w/connectors
- 40' Leads on Sensors + Transducers
- Ethernet Adapter Kit
- \*Liquid / Suction Heat Exchanger

#### LIQUID LINE SOLENOID VALVE

- Sporlan
- Emerson
- By Others Field Supplied
- Dual Voltage Coil 120-230V Field Wired

#### Nitrogen Charged and Sealed ROOM THERMOSTATS

- Mechanical
- \*Mechanical
- \*Johnson A19ABC
- \*Johnson A421ABC-02C
- Ranco ETC-111000
- \*Ranco ETC-111000
- Johnson A421ABC-02

#### Wire Fan Guards

#### REMOTE DEFROST PANEL

- \*230V Control
- \*115V Control

VOLTAGE <b>460/1/60</b>		SYSTEM REFRIGERANT <b>R407A</b>		AIR FLOW <b>6480 CFM</b>	EVAP. TEMP <b>26.7 °F</b>	BOX TEMP <b>36 °F</b>	CAPACITY <b>43178 BTUH</b>		
FANS			HEATERS			CIRCUIT TOTAL			
QTY	POWER	FLA/FAN	TYPE	QTY	AMPS	AMPS	WATTS	MCA†	MOP‡
<b>2</b>	<b>0.33HP</b>	<b>0.9</b>				<b>1.8</b>	<b>640</b>	<b>2</b>	<b>15</b>
DISTRIBUTOR	<b>7/8 in</b>	SOUND	-	REC CAPACITY					
SUCTION	<b>1 3/8 in</b>	WEIGHT	<b>254 lb</b>	REF CHARGE	<b>9 lb</b>				

NOTES:

† MCA.. Minimum Circuit Ampacity, ‡ MOP.. Maximum Overcurrent Protection



APPROVED BY :

DATE :

Approval of this drawing signifies that the equipment is acceptable under the provision of the job specifications. Any change made hereon by any person whomsoever subject to acceptance by NATIONAL REFRIGERATION at its home office.



**NATIONAL REFRIGERATION AND AIR CONDITIONING CANADA CORP.**  
 159 ROY BLVD, PO BOX 2020  
 BRANTFORD, ON  
 CANADA N3T 5Y6

Order Item No: 0  
**KMP245MA-S4A-C**  
 MEDIUM PROFILE  
 EVAPORATOR

(4)

NATIONAL REFRIGERATION will furnish equipment in accordance with this drawing and specifications, and subject to its published warranty. Approval of this drawing signifies that the equipment is acceptable under the provision of the job specifications. Any change made hereon by any person whatsoever subject to acceptance by NATIONAL REFRIGERATION at its home office.

DATE : 13 Jun 2018  
 PURCHASER :  
 PROJECT :  
 SUBMITTED BY : Charles Sternberg

Dimensions shown are for standard unit less options.

DIMENSIONS	
DIMENSION A	84 1/4 in
DIMENSION B	34 in
DIMENSION C	36 in
DIMENSION D	
DIMENSION E	
DIMENSION F	0 in
DIMENSION G	
DIMENSION H	

CONNECTIONS	
DISTRIBUTOR	7/8 in
SUCTION	1 3/8 in
DRAIN	3/4 in
WATER	
DISCHARGE	
PAN LOOP	
HOT GAS SIDE PORT	
HOT GAS INLET	
HOT GAS OUTLET	
OTHER	
SHIPPING WEIGHT	254 lb
REFRIGERANT CHARGE	9 lb
RECEIVER CAPACITY	

APPROVALS	

NOTES:

