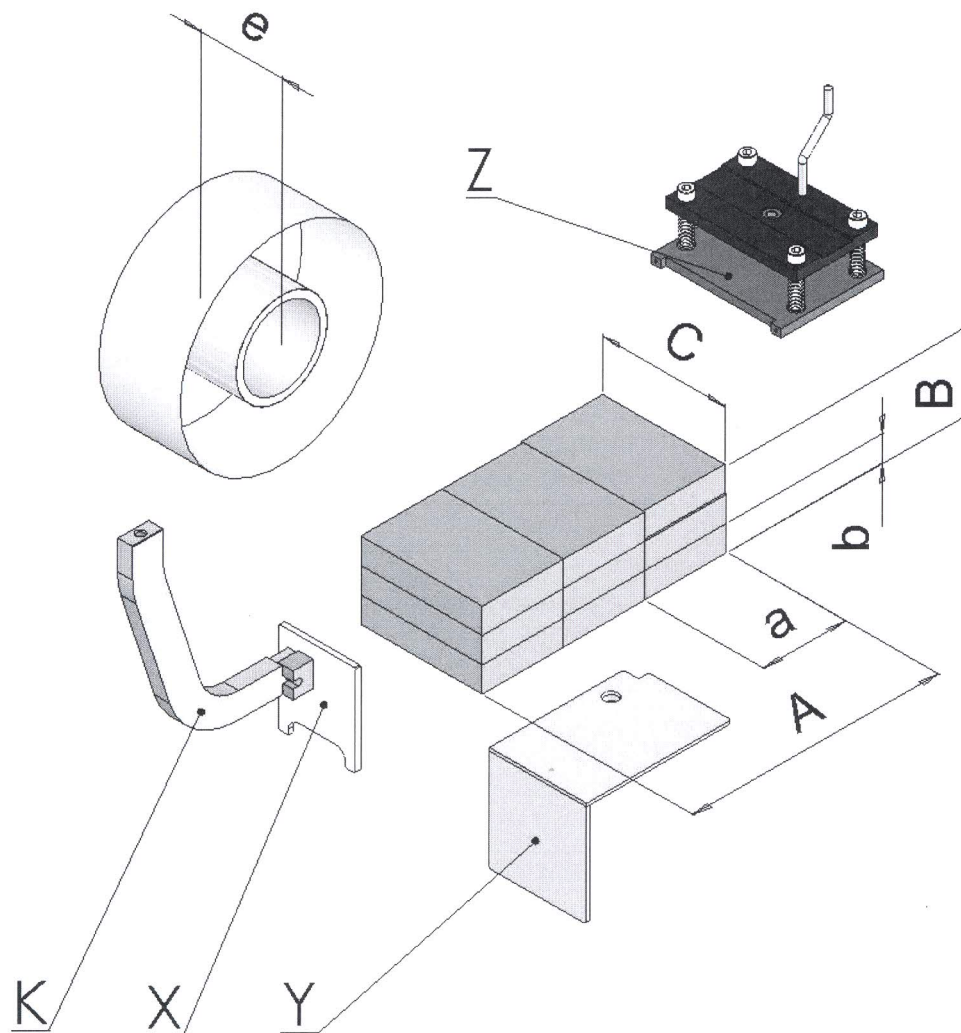




5. FORMAT VARIABLE PIECES



W: PLATE FOR TURNING ON EDGE  
X: PUSHER PLATE

K: PUSHER  
Y: ELEVATOR PLATE  
Z: PRESSER