



Biotech

Instructions for Use

Allegro™ **1500** - 2000 L Cubical LevMixer™ And Magnetic Mixer™ Tanks

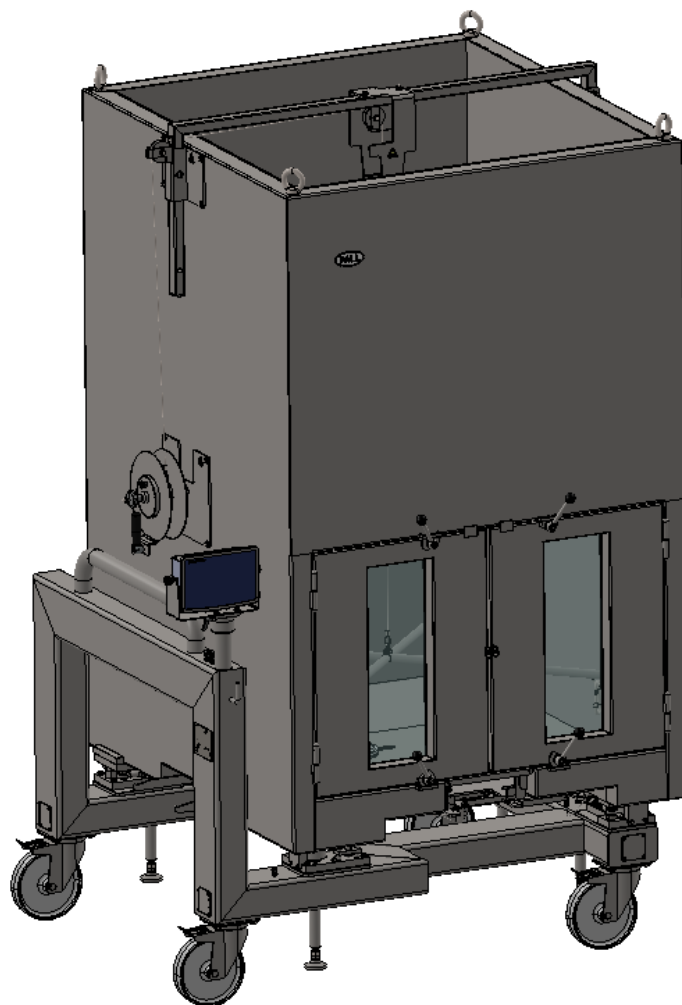


Table 1: Specifications 1500L

Base Part Number	Description	Weight
LM1500NCN	1500L, Magnetic/LevMixer SQUARE CONT SS	784 kg (1729 lbs)
LM1500JCN	1500L, Magnetic/LevMixer SQUARE CONT SS INSULATED AND JACKETED	873 kg (1924 lbs)
LM1500NCMA	1500L, Magnetic/LevMixer SQUARE CONT SS WITH LOAD CELLS	805 kg (1774 lbs)
LM1500JCMA	1500L, Magnetic/LevMixer SQUARE CONT SS INSULATED AND JACKETED WITH LOAD CELLS	893 kg (1968 lbs)
Base Part Number	Dimensions hoist retracted, mm (inches) LxWxH	Dimensions, mm (inches) LxWxH
LM1500NCN	1546x1320x1895 (60.9x52.0x74.6)	1546x1320x2170 (60.9x52.0x85.4)
LM1500JCN	1546x1389x1895 (60.9x 54.7x74.6)	1546x1389x2170 (60.9x 54.7x85.4)
LM1500NCMA	1613x1320x1895 (63.5x52.0x74.6)	1613x1320x2170 (63.5x52.0x85.4)
LM1500JCMA	1613x1389x1895 (63.5x54.7x74.6)	1613x1389x2170 (63.5x54.7x85.4)
Maximum working volume		1500 L (397 gal)
Materials of Construction and Finish (Defined by configuration suffix in full part number (LM1500XXXX-SMC))		
Surface finish 'S' (For Tank, Framing, Hoist, and Cabinet material)		
B	Brushed: Ra ≤ 0.89 μm (35μin)	
E	Electropolished	
G	Glass bead blasted outer surfaces: Ra ≤ 1.2 μm (47 μin). Glass bead blasted inner surfaces: Ra ≤ 0.89 μm (35).	
H	Glass bead blasted: Ra ≤ 1.2 μm (47 μin).	
M	Glass bead blasted outer surfaces: Ra ≤ 1.2 μm (47 μin). Brushed inner surfaces: Ra ≤ 0.89 μm (35μin).	
Material 'M' (For Tank, Framing, Hoist, and Cabinet material)		
4	304 Stainless Steel	
6	316 Stainless Steel	
Certification 'C'		
A	ASME certification of jacket	
N	No certification	
Wheels		
Wheels	4 x locking swivels	
Wheel material	Polyamide	
Wheel bracket material	Stainless Steel	
Jacketed Models		
Jacket type	Dimpled, Insulated	
Jacket rating	Max 6.2 bar @ -5/90 °C / Max 90 psig @ 23-194 °F	
Jacket connectors	Sanitary coupling 1½ in.	
Jacketed sides	Front (partially), right, left, back	
Models with Load Cells		
Number of load cells	4	
Operator interface type	LCD display, membrane keypad	
Control box ingress rating	IP 65	
Voltage	100-230 VAC	
Maximum humidity	85%, avoid condensation	
Ambient temperature	4-40 °C	
Power cord length	600 cm (20 ft.)	
Power cord plug options	US, EU, Australia, Switzerland, UK, China	
Signal type(s) for remote output	4-20 mA	
Load cell accuracy	0.3% of the nominal volume (4.5 kg)	