

ESTIMATED HOURS	ACTUAL HOURS	MANUFACTURED BY	PART COMPLETED DATE (YYYY/MM/DD)	ASSEMBLY START DATE (YYYY/MM/DD)

REMOVE ALL SHARP EDGES  
 MAKE ALL DIMENSIONS UNLESS SPECIFIED FROM TO FINISH  
 HANG DIMENSIONS SETTING IF APPROPRIATE UNLESS SPECIFIED OTHERWISE  
 ALL DIMENSIONS APPLY UNLESS NOTED OTHERWISE  
 UNLESS OTHERWISE SPECIFIED TO DIM AT 1/2" LATEST EDITION UNLESS OTHERWISE NOTED

REV	REVISION DESCRIPTION	DATE	BY
1			

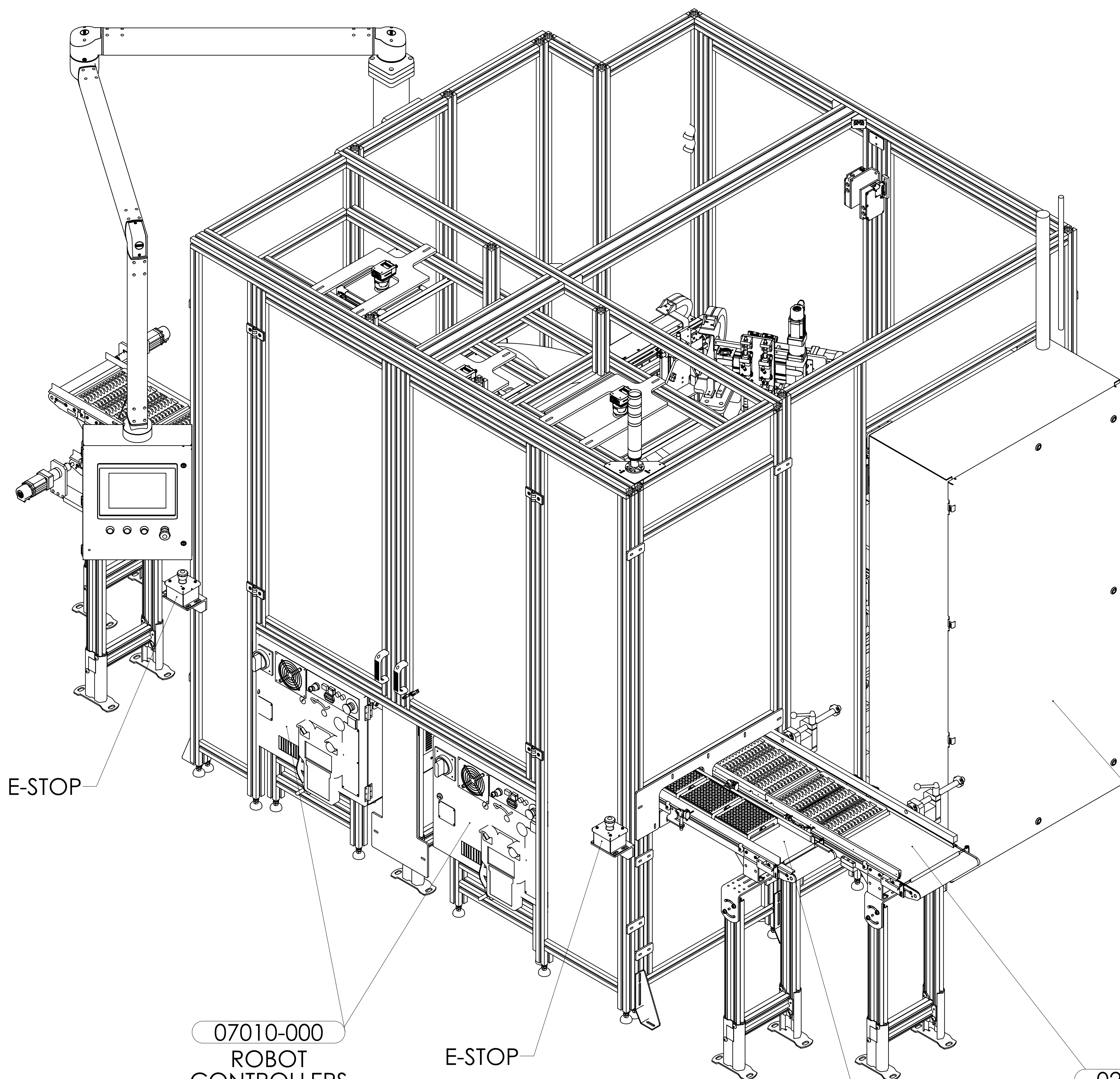
**ECLIPSE AUTOMATION**

CANNABIS VAPE PEN & CARTRIDGE FILL & ASSY  
 TOP LEVEL LAYOUT  
 ALL DIMENSIONS APPLY UNLESS NOTED OTHERWISE  
 UNLESS OTHERWISE SPECIFIED TO DIM AT 1/2" LATEST EDITION UNLESS OTHERWISE NOTED

NO.	DESCRIPTION	QTY	UNIT
1	SEE DETAIL	1	
2	SEE DETAIL	2	

M 191132-00100-000 1 1:8





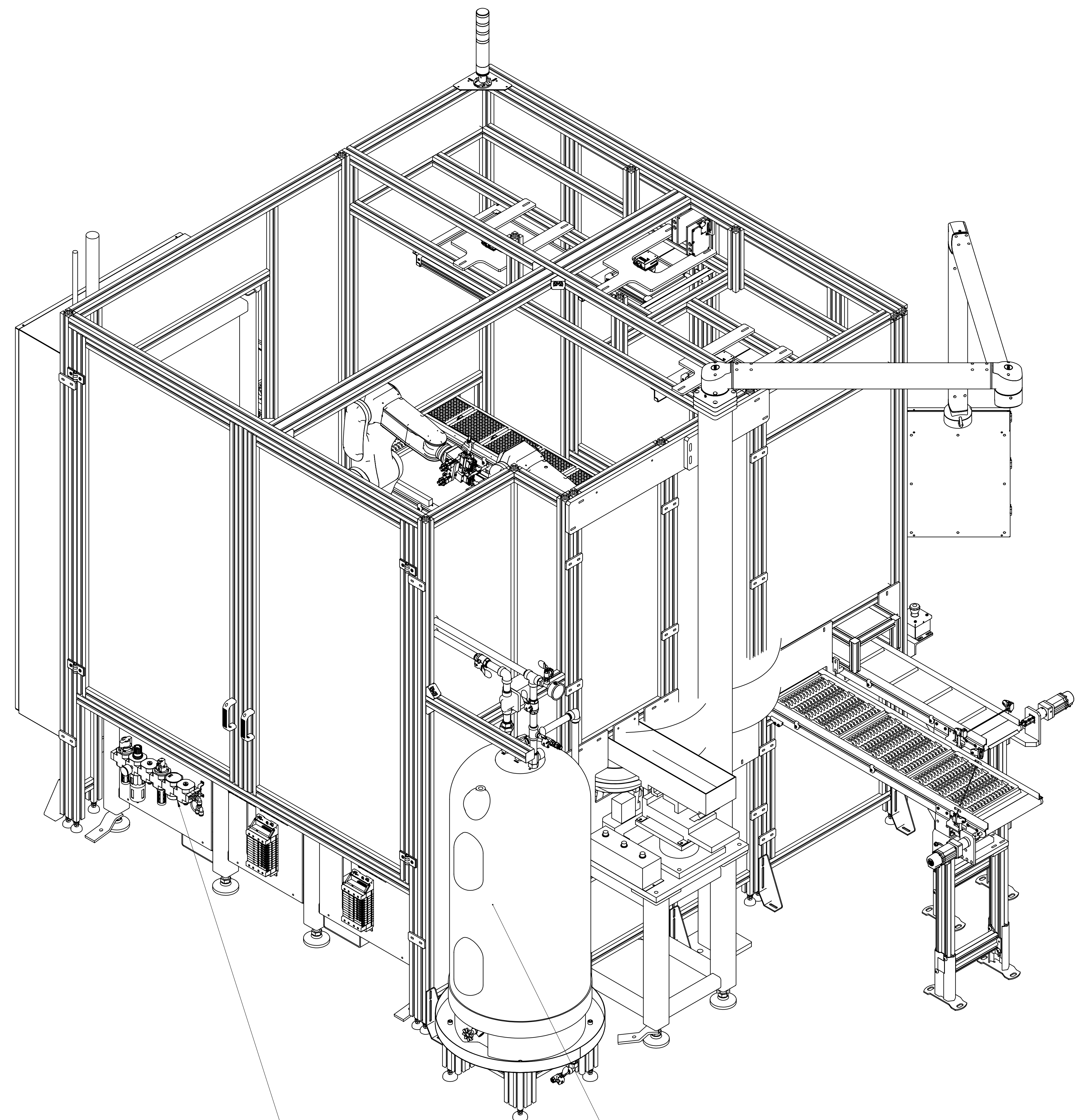
E-STOP

07010-000  
ROBOT  
CONTROLLERS

E-STOP

02500-000  
OUTFEED  
CONVEYOR

02000-000  
INFEEED  
CONVEYOR



00500-000  
PNEUMATICS

04550-000  
HEATER  
ASSEMBLY

01100-000  
GUARDING  
ASSEMBLY

ESTIMATED HOURS	ACTUAL HOURS	MANUFACTURED BY	PART COMPLETED DATE (YYYY/MM/DD)	ASSEMBLY START DATE (YYYY/MM/DD)

REMOVE ALL STRAP EDSSES  
 MARK ALL DIMENSIONS UNLESS SPECIFIED FROM THE DRAWING  
 HAND DRIVEN LETTERING IS APPROVED UNLESS SPECIFIED OTHERWISE  
 ALL DIMENSIONS APPLY UNLESS OTHERWISE SPECIFIED  
 UNLESS OTHERWISE SPECIFIED, DIMENSIONS ARE IN MILLIMETERS

REV	DESCRIPTION	DATE	BY
1			

**ECLIPSE**  
**AUTOMATION**

CANNABIS VAPE PEN & CARTRIDGE FILL & ASSY  
 TOP LEVEL LAYOUT

ALL DIMENSIONS APPLY UNLESS OTHERWISE SPECIFIED  
 UNLESS OTHERWISE SPECIFIED, DIMENSIONS ARE IN MILLIMETERS

NO	DESCRIPTION	QTY	UNIT
1		1	
2		2	
E		1	

M 191132-00100-000 1 1:8