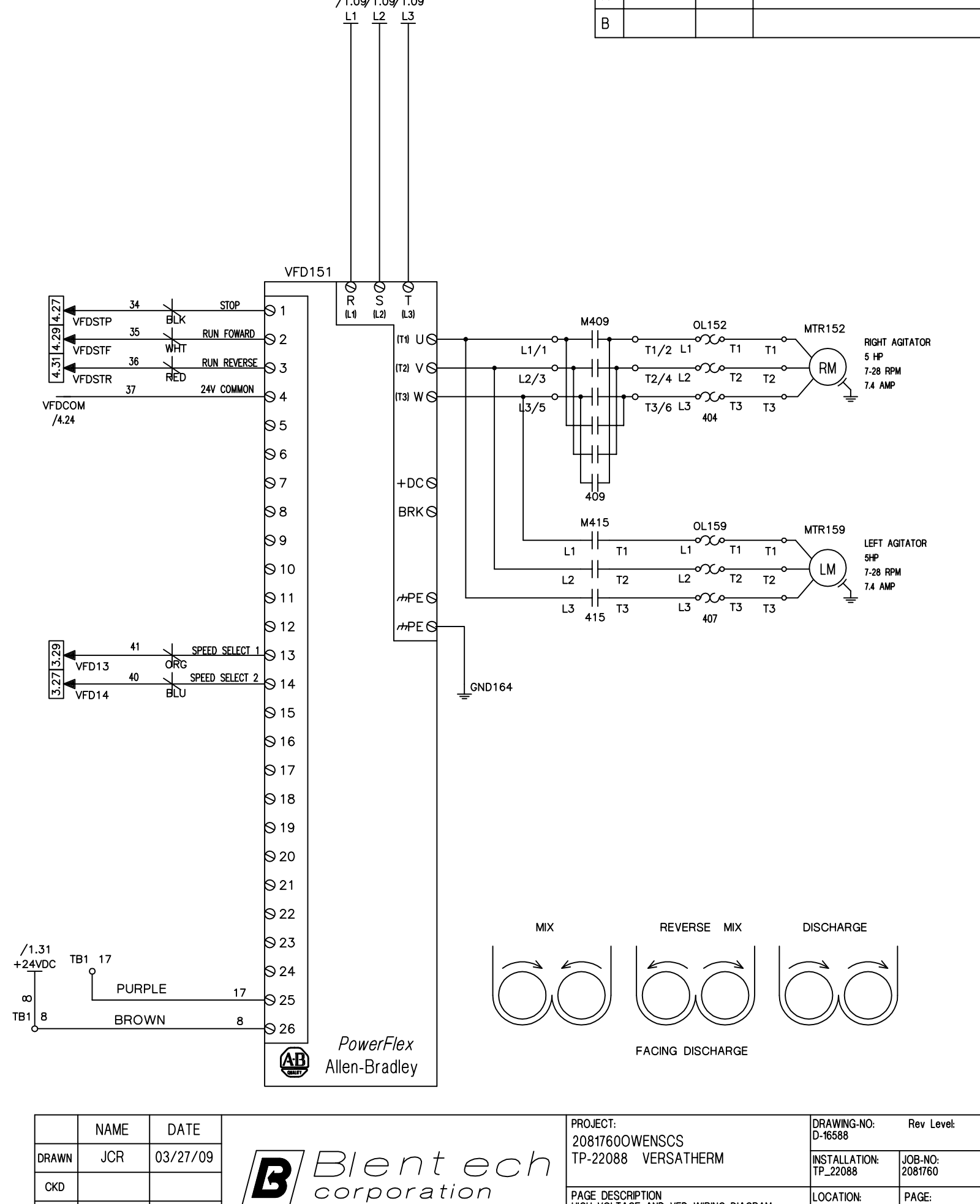
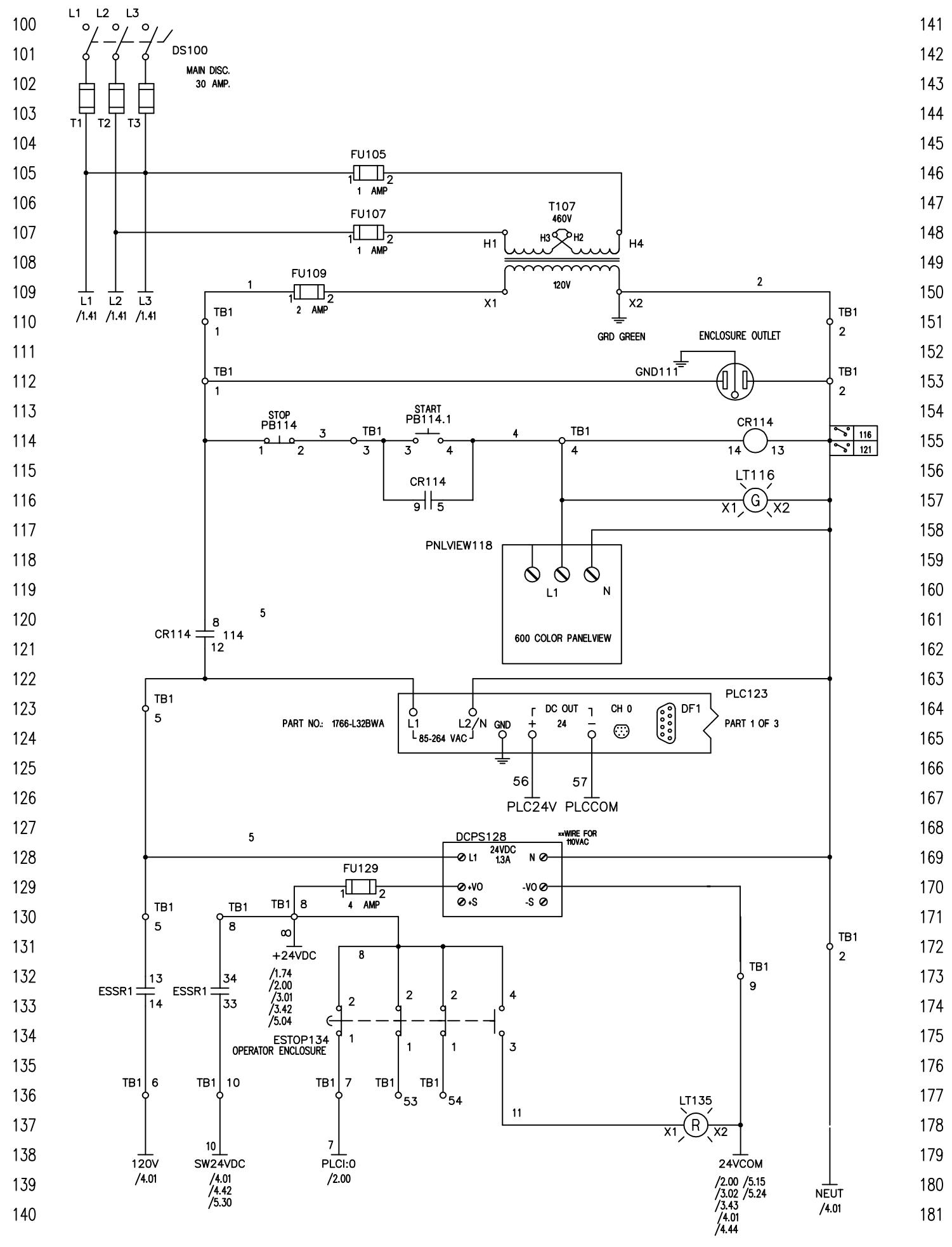


Rev:	Date:	By:	Rev:
A			
B			



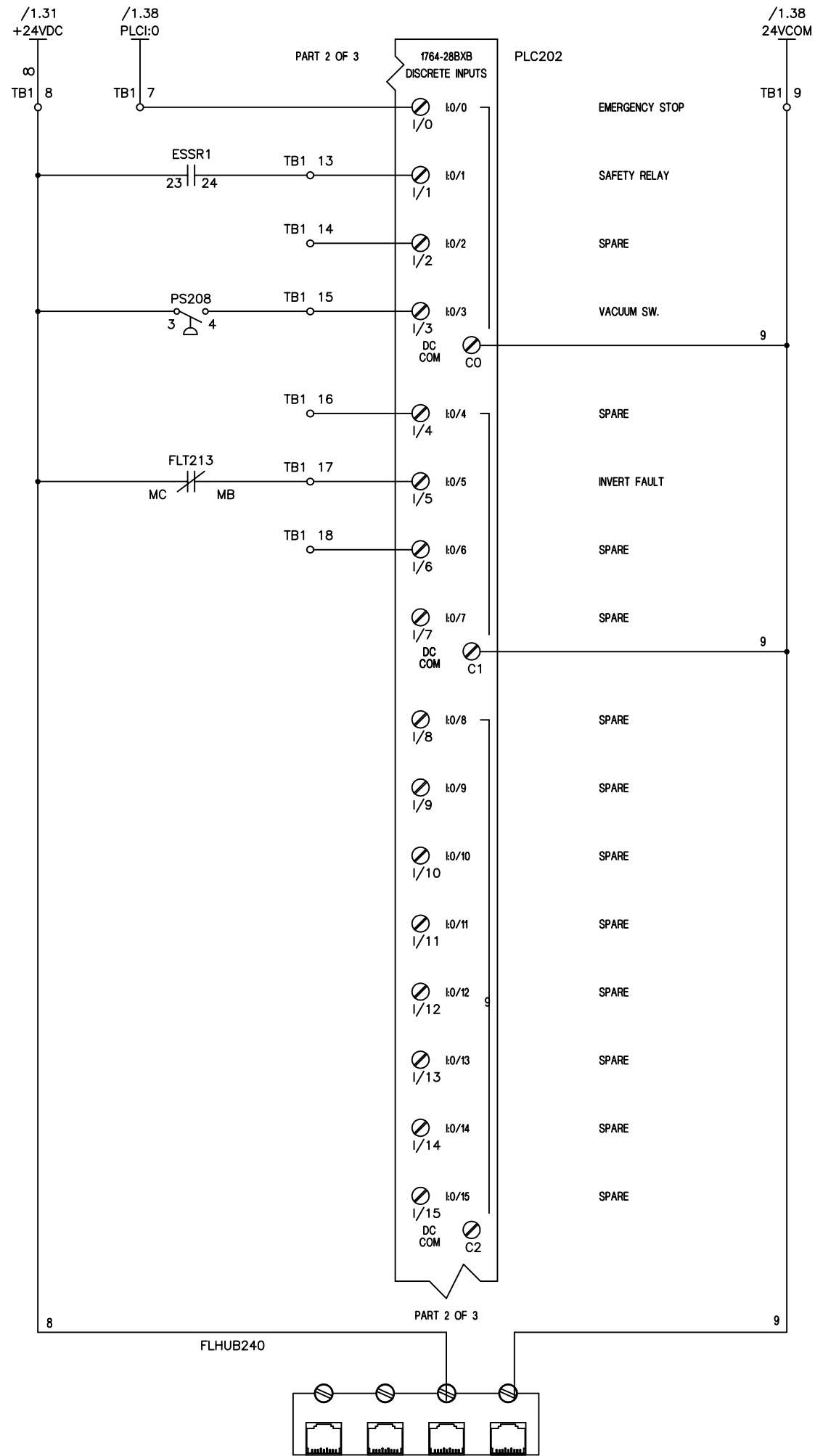
	NAME	DATE
DRAWN	JCR	03/27/09
CKD		
APPR		



PROJECT: 2081760OWENSCS TP-22088 VERSATHERM	DRAWING-NO: D-16588	Rev Level:
PAGE DESCRIPTION HIGH VOLTAGE AND VFD WIRING DIAGRAM	INSTALLATION: TP_22088	JOB-NO: 2081760
	LOCATION: MICRO1400	PAGE: 1 OF 6

Rev:	Date:	By:	Rev:
A	CAB	11/15/12	ADDED A270
B			

200  
201  
202  
203  
204  
205  
206  
207  
208  
209  
210  
211  
212  
213  
214  
215  
216  
217  
218  
219  
220  
221  
222  
223  
224  
225  
226  
227  
228  
229  
230  
231  
232  
233  
234  
235  
236  
237  
238  
239  
240



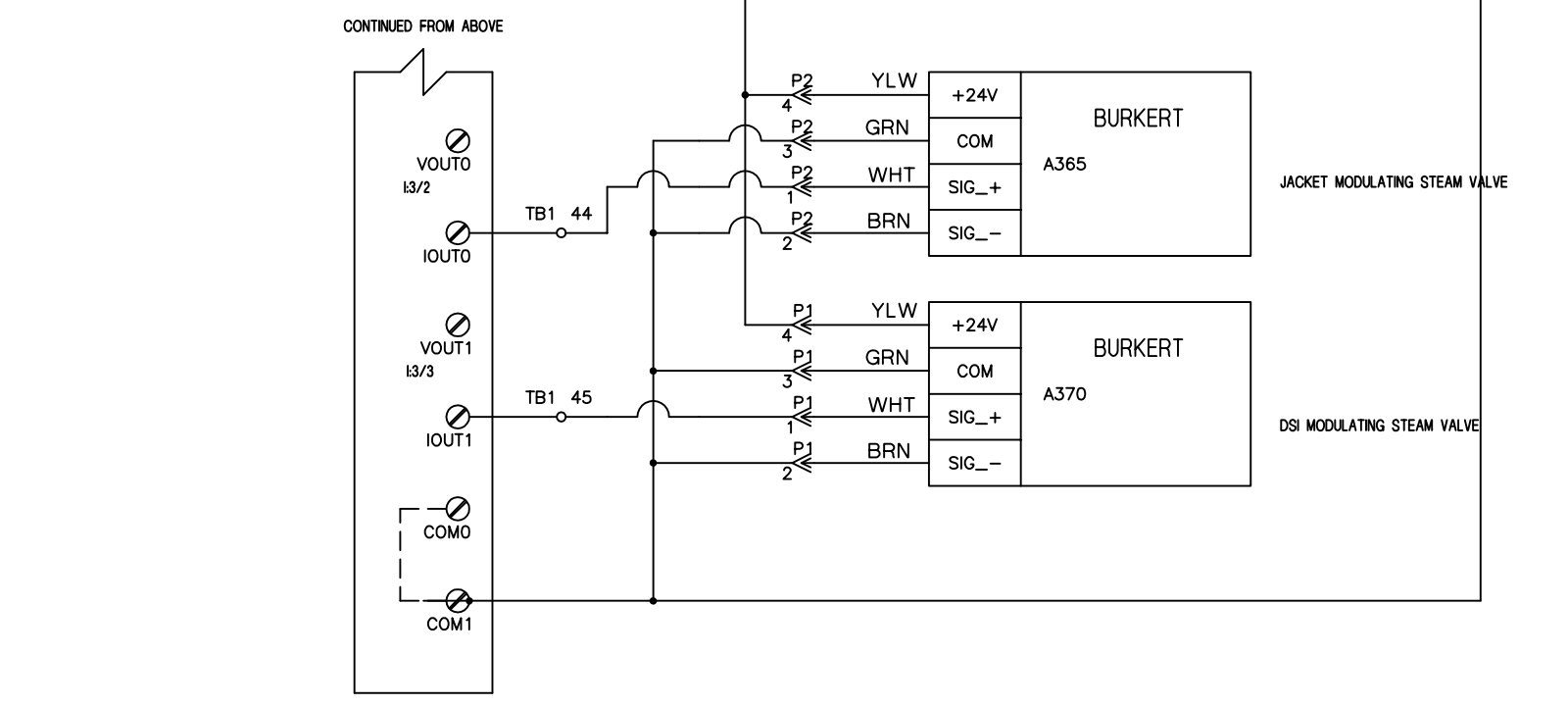
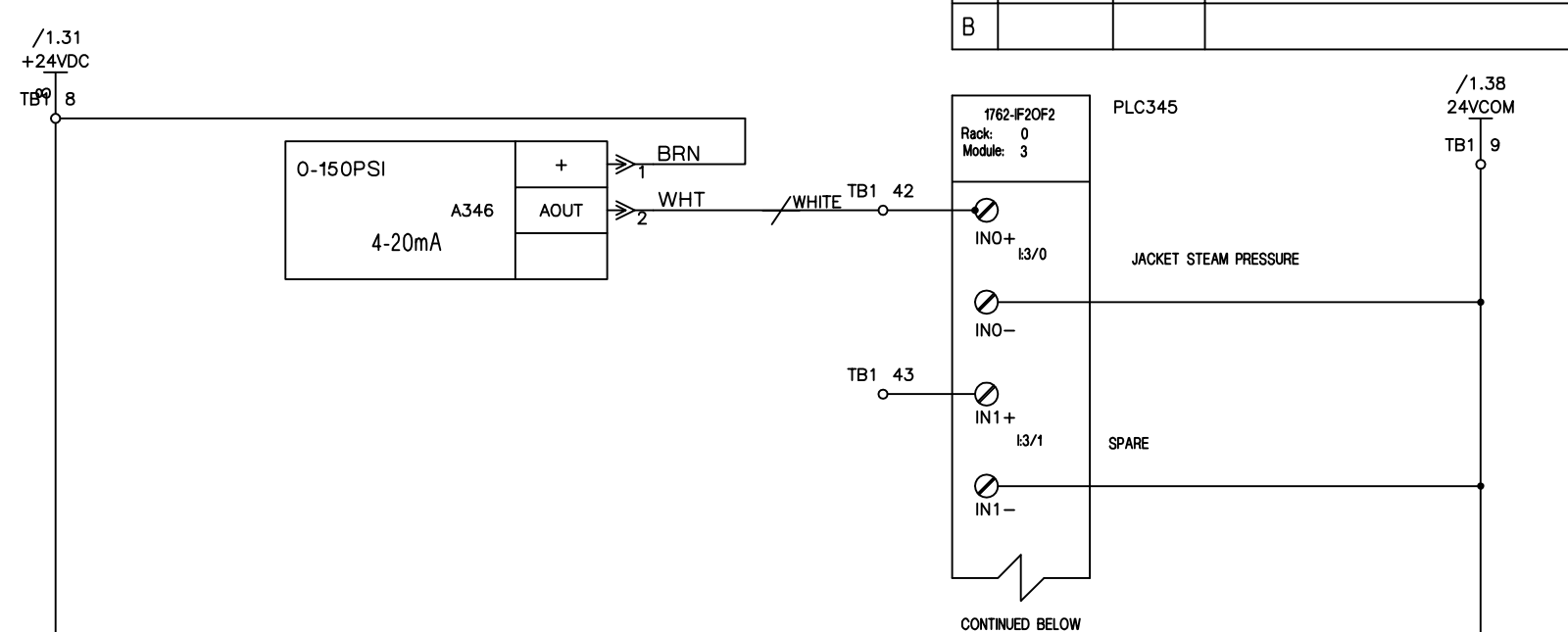
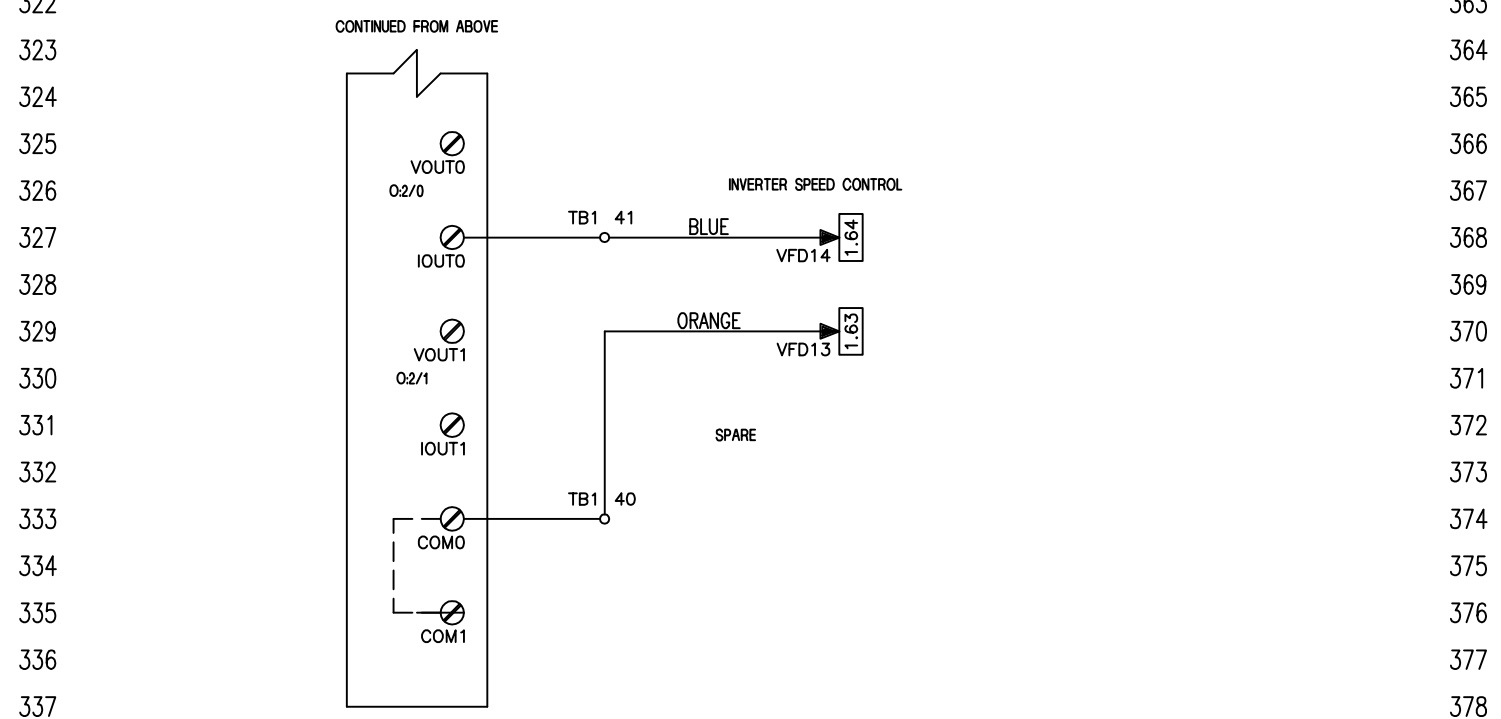
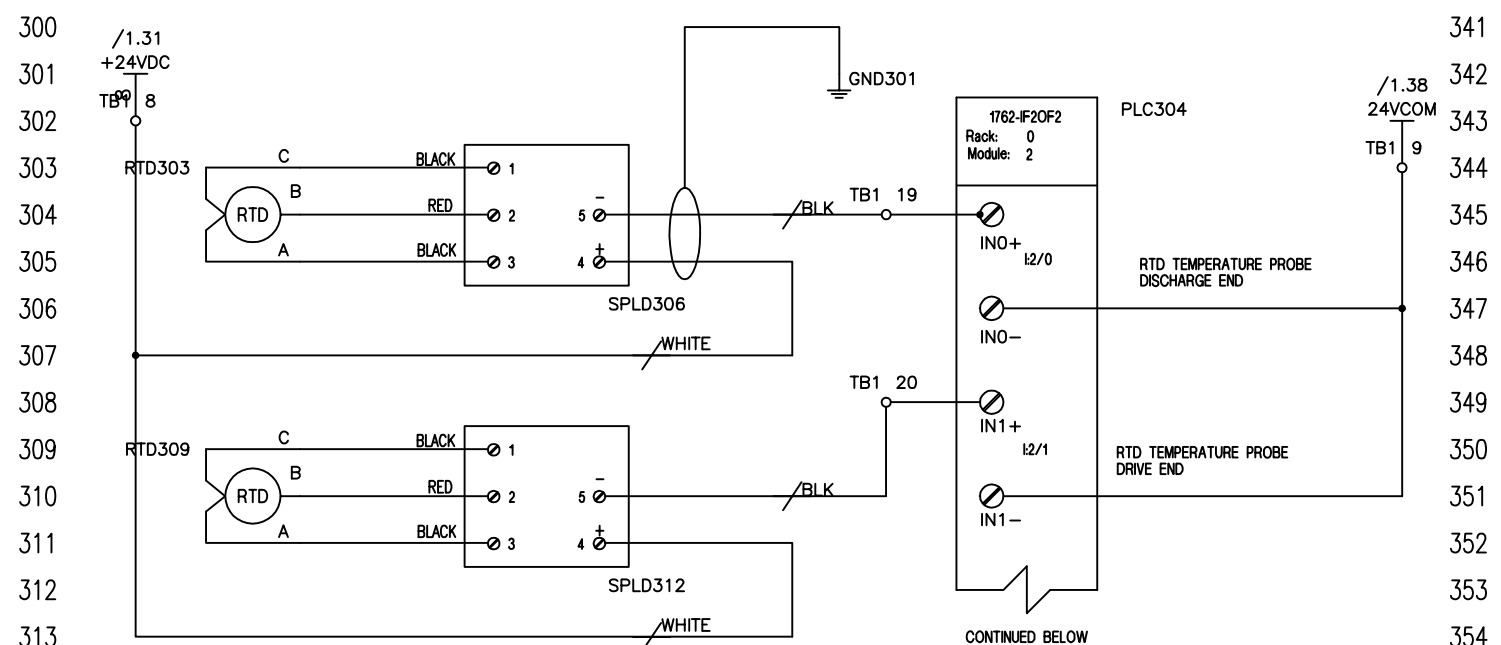
241  
242  
243  
244  
245  
246  
247  
248  
249  
250  
251  
252  
253  
254  
255  
256  
257  
258  
259  
260  
261  
262  
263  
264  
265  
266  
267  
268  
269  
270  
271  
272  
273  
274  
275  
276  
277  
278  
279  
280  
281

	NAME	DATE
DRAWN	JCR	03/27/09
CKD		
APPR		



PROJECT: 2081760OWENSCS TP-22088 VERSATHERM	DRAWING-NO: D-16588 Rev Level: A
PAGE DESCRIPTION PLC INPUTS WIRING DIAGRAM	INSTALLATION: TP_22088 JOB-NO: 2081760
	LOCATION: MICRO1400 PAGE: 2 OF 6

Rev:	Date:	By:	Rev:
A	CAB	11/15/12	ADDED A270
B			

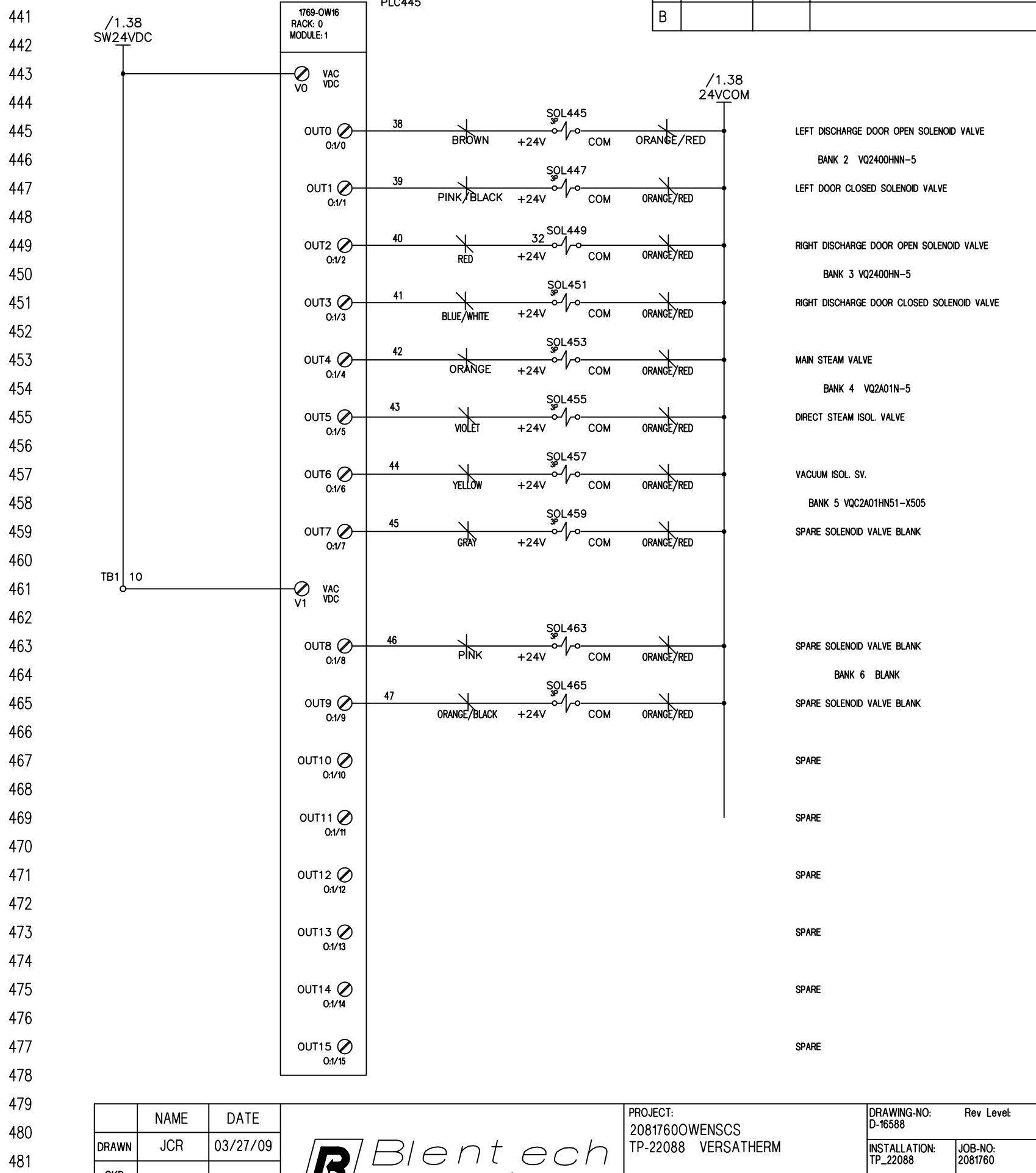
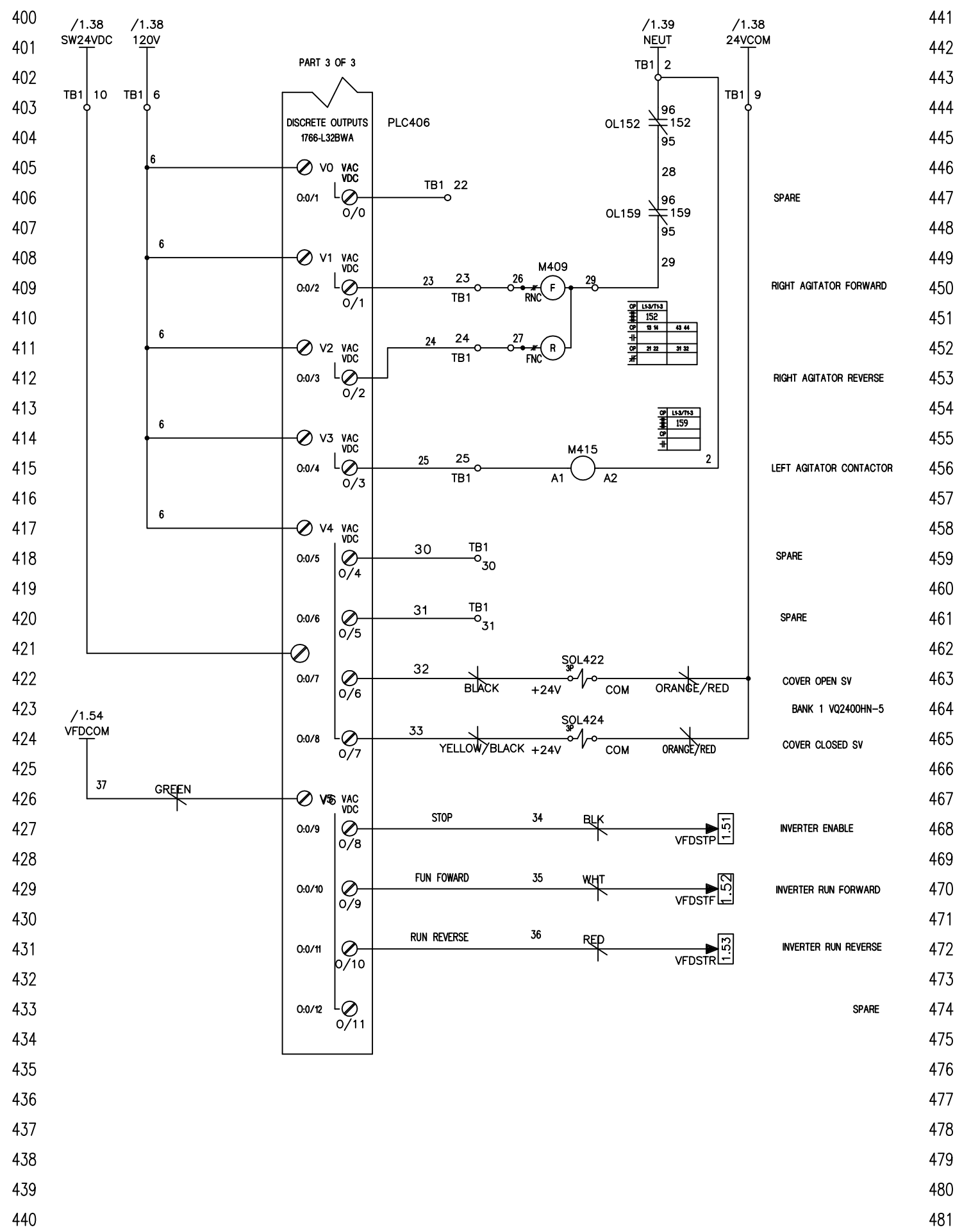


300		
301		
302		
303		
304		
305		
306		
307		
308		
309		
310		
311		
312		
313		
314		
315		
316		
317		
318		
319		
320		
321		
322		
323		
324		
325		
326		
327		
328		
329		
330		
331		
332		
333		
334		
335		
336		
337		
338		
339		
340		

341				
342				
343				
344				
345				
346				
347				
348				
349				
350				
351				
352				
353				
354				
355				
356				
357				
358				
359				
360				
361				
362				
363				
364				
365				
366				
367				
368				
369				
370				
371				
372				
373				
374				
375				
376				
377				
378				
379				
380				
381				

NAME	DATE		PROJECT: 20817600WENSCS TP-22088 VERSATHERM	DRAWING-NO: D-16588 Rev Level: A		
DRAWN	cbuettner 11/16/12				INSTALLATION: TP_22088	JOB-NO: 2081760
CKD					LOCATION: MICRO1400	PAGE: 3 OF 6
APPR			PAGE DESCRIPTION WIRING DIAGRAM PLC ANALOG I/O			

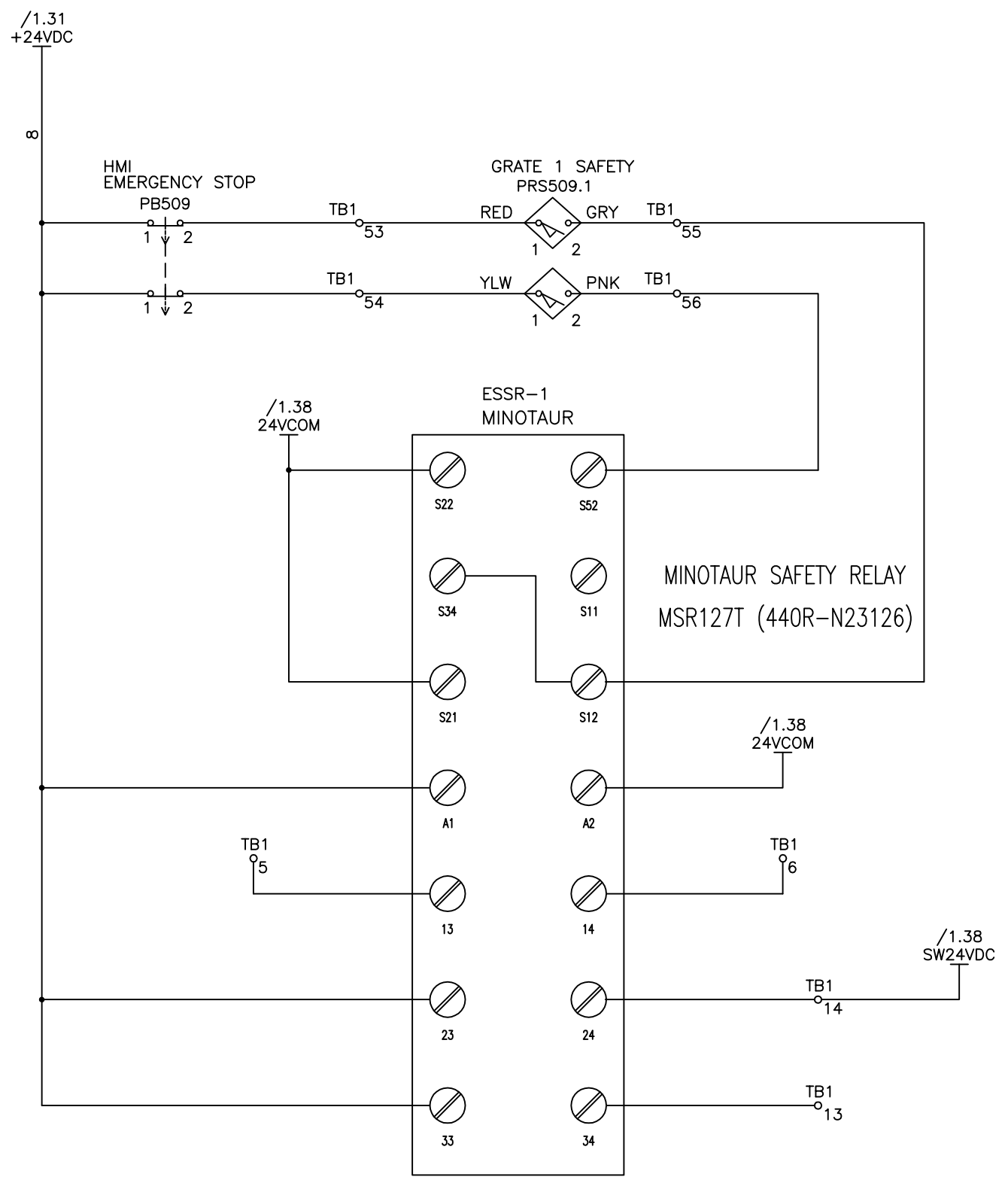
Rev:	Date:	By:	Rev:
A			
B			




NAME	DATE		PROJECT: 2081760OWENSCS TP-22088 VERSATHERM	DRAWING-NO: D-16588	Rev Level:
DRAWN	JCR 03/27/09		PAGE DESCRIPTION PLC OUTPUTS WIRING DIAGRAM MAIN PLC MODUL	INSTALLATION: TP_22088	JOB-NO: 2081760
CKD			LOCATION: MICRO1400	PAGE: 4 OF 6	
APPR					

Rev:	Date:	By:	Rev:
A			
B			

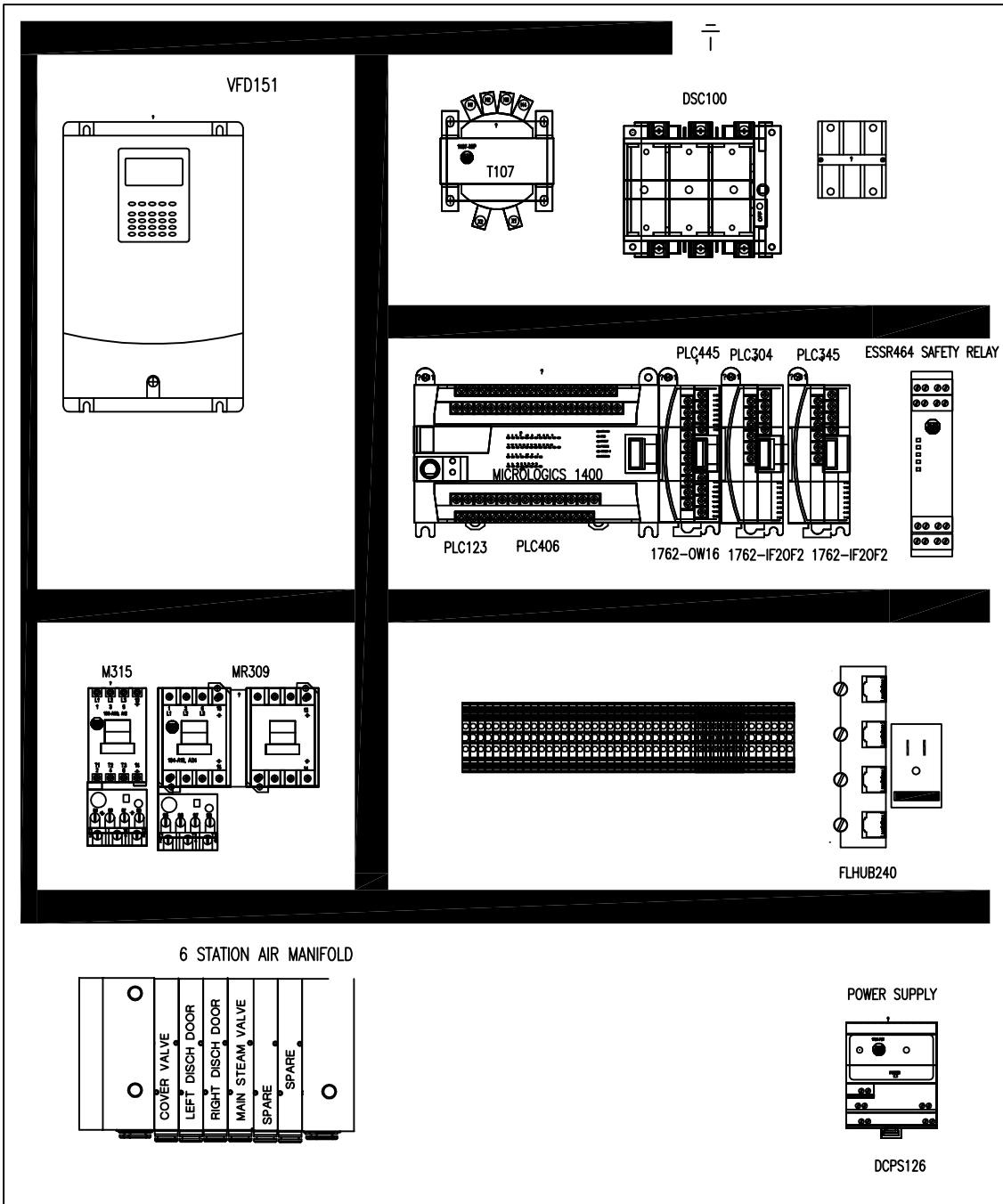
501  
502  
503  
504  
505  
506  
507  
508  
509  
510  
511  
512  
513  
514  
515  
516  
517  
518  
519  
520  
521  
522  
523  
524  
525  
526  
527  
528  
529  
530  
531  
532  
533  
534  
535  
536  
537  
538  
539  
540  
541



	NAME	DATE		PROJECT: 2081760WENSCS TP-22088 VERSATHERM	DRAWING-NO: D-16588	Rev Level:	
DRAWN	cbuettner	04/25/14		PAGE DESCRIPTION ELECTRICAL DIAGRAM SAFETY RELAY	INSTALLATION: TP_22088	JOB-NO: 2081760	
CKD				LOCATION: MICRO1400	PAGE: 5 OF 6		
APPR							

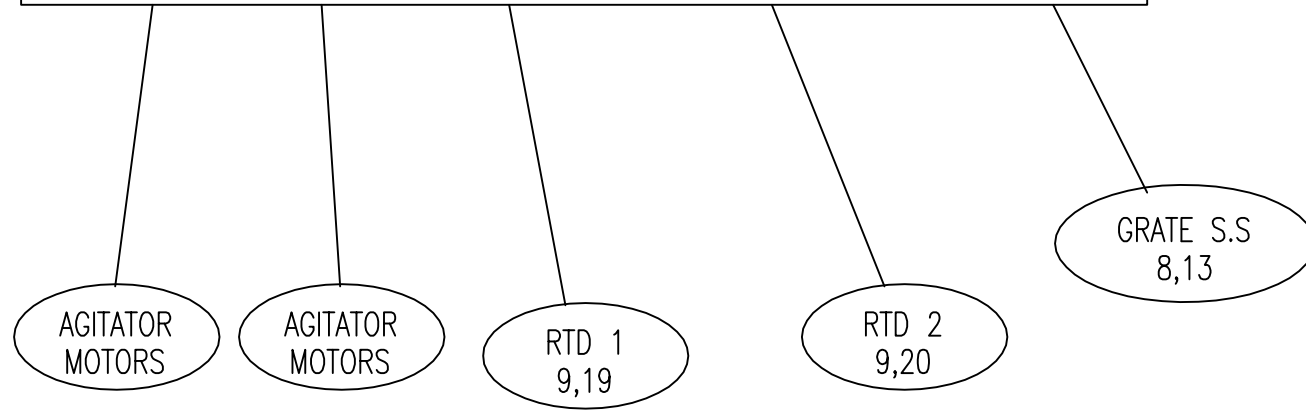
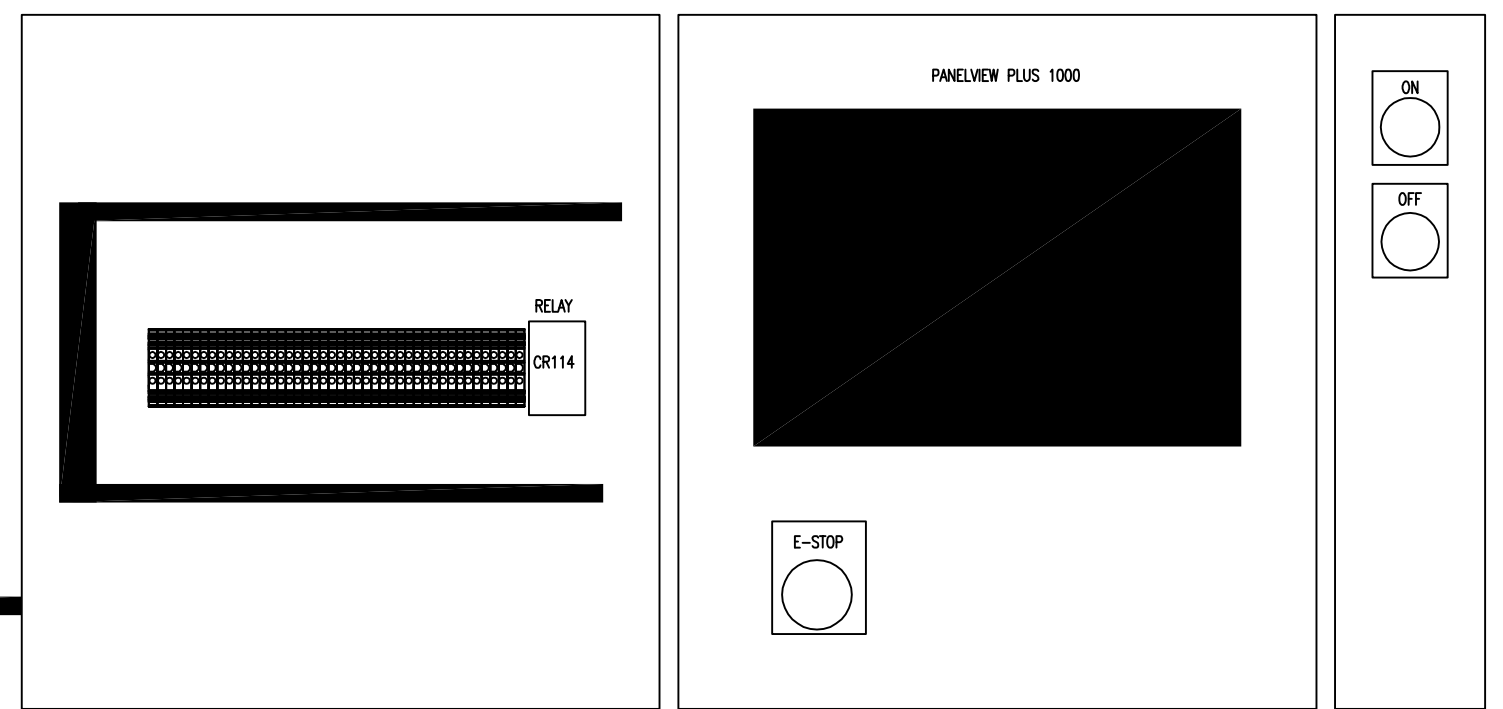
REMOTE DRIVE ENCLOSURE NEMA 1

Rev:	Date:	By:	Rev:
A			
B			



1,2,5,6,7,8,9,10,13,15,53,54  
ETHERNET CABLE  
SPARES

OPERATOR ENCLOSURE NEMA 4 X STAINLESS STEEL



	NAME	DATE		PROJECT: 2081760OWENSCS TP-22088 VERSATHERM	DRAWING-NO: D-16588	Rev Level:	
DRAWN	JCR	03/27/09			INSTALLATION: TP_22088	JOB-NO: 2081760	
CKD					PAGE DESCRIPTION PANEL LAYOUT ELECTRICAL ENCLOSURES	LOCATION: MICRO1400	PAGE: 7 OF 6
APPR							