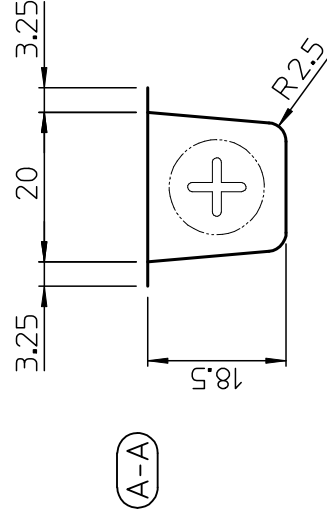
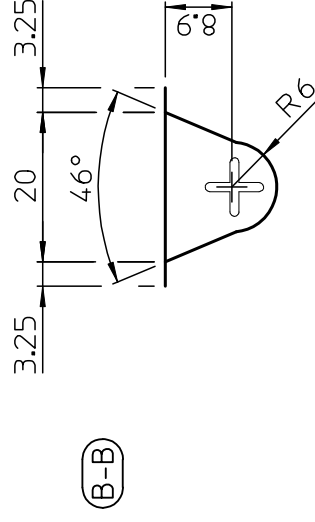
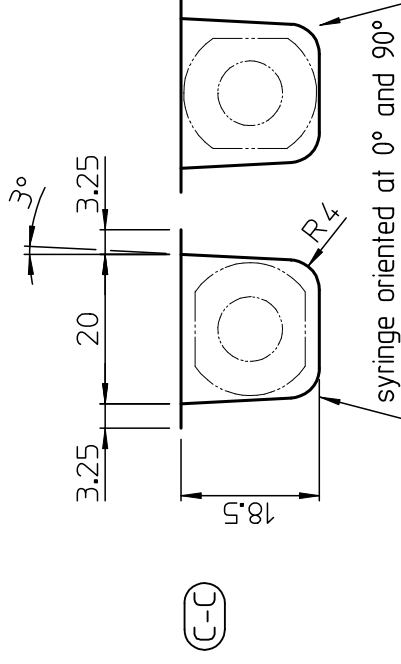
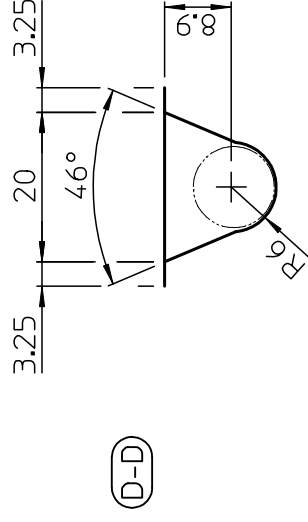
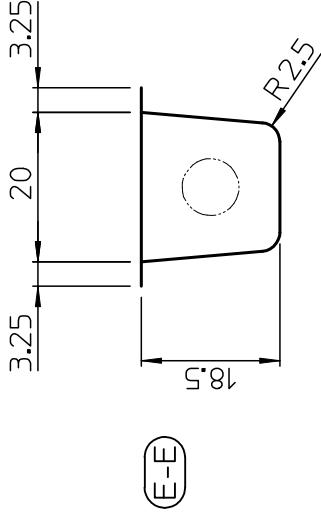
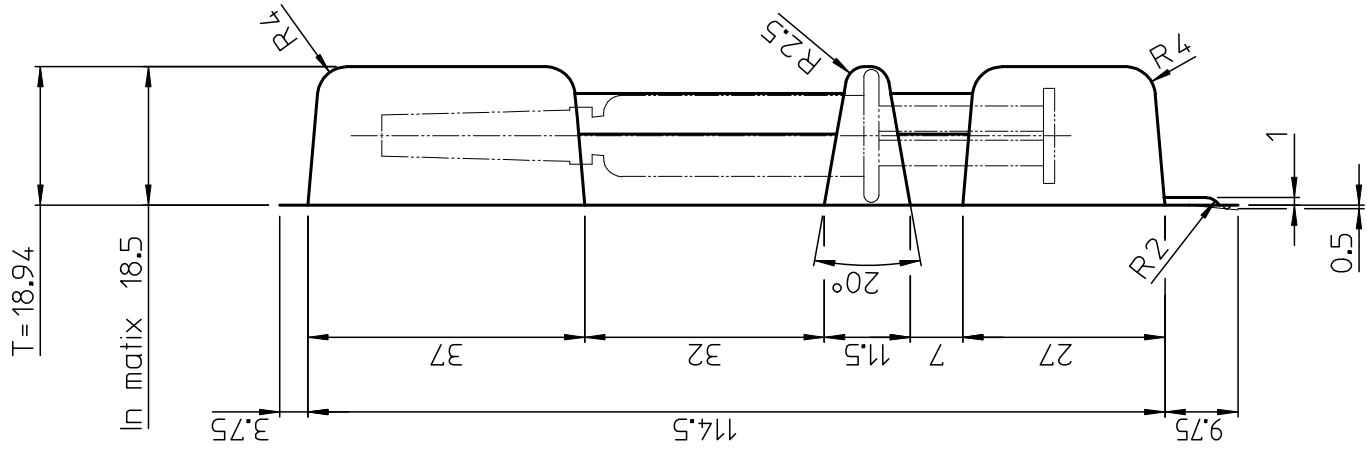


180 - 200 blister/min

Viewed from lidding material side



Code 2965-1-1
syringe 1 ml
(25 G5/8)

