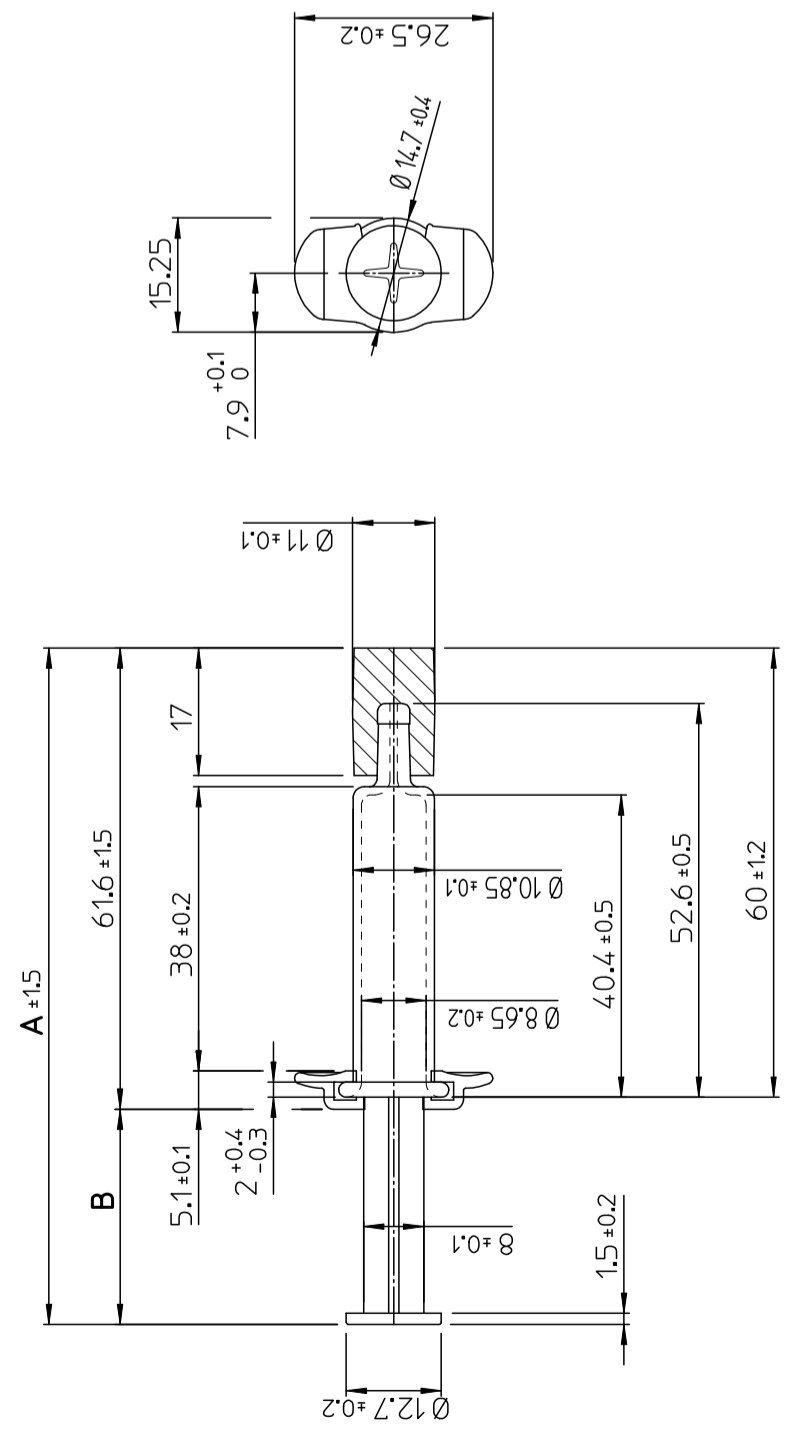


Rev.	Ver.	Data	Ex.
00	A	08/08/2014	PF B-1
Eseguito:		bassolis	
Scala:		1:1	

Viewed from lidding material side

code 2966-1-1
pediatric dose
1,25 ml PRTC
A = 85.6 - B = 24

code 2966-1-2
adult dose
1,25 ml PRTC
A=90.35 - B=28.75



code 2966-1-3
pediatric dose
1,25 ml RTC
A=86.45 - B=24.45

code 2966-1-4
adult dose
1,25 ml RTC
A=91.2 - B=29.2

