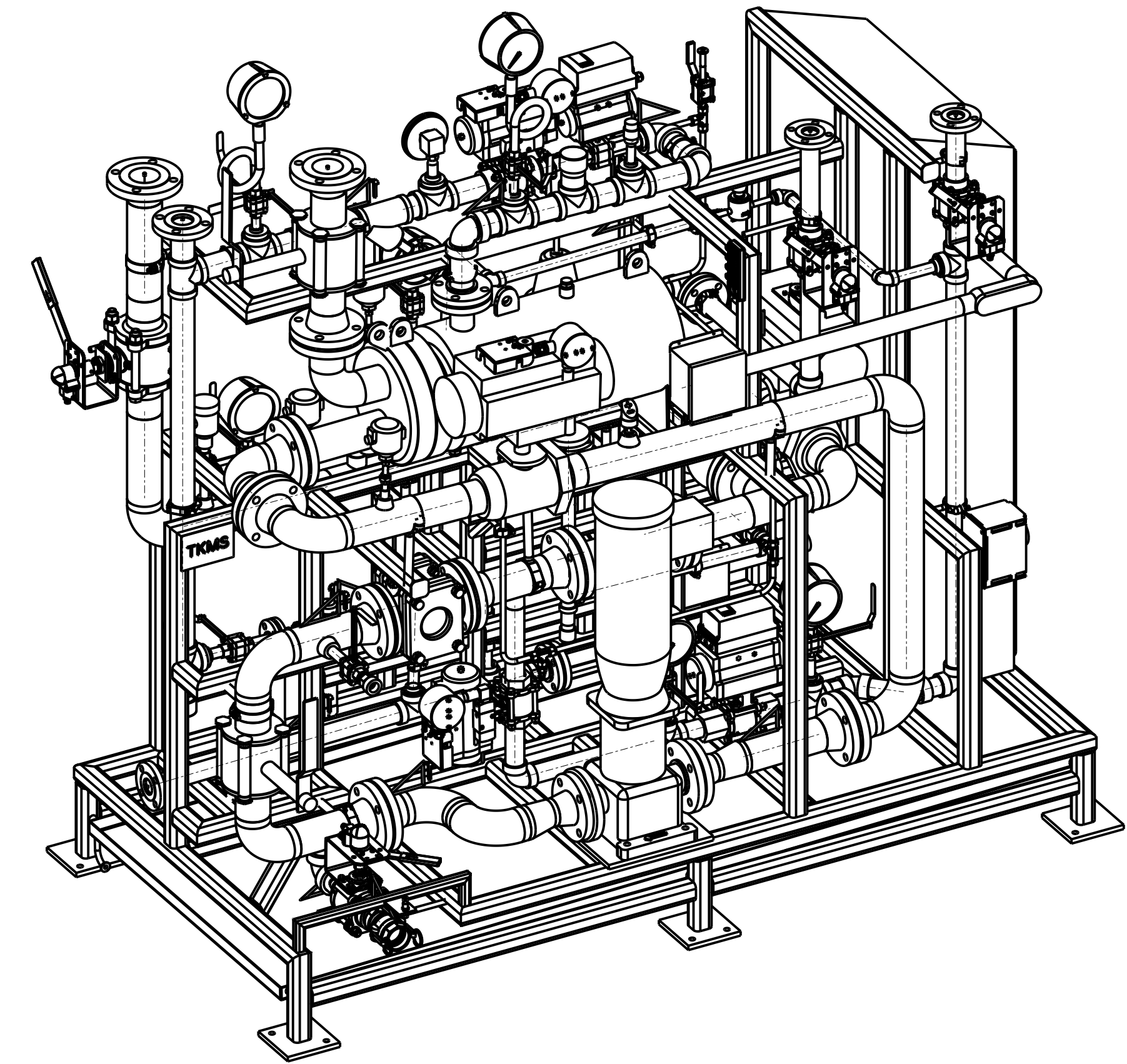
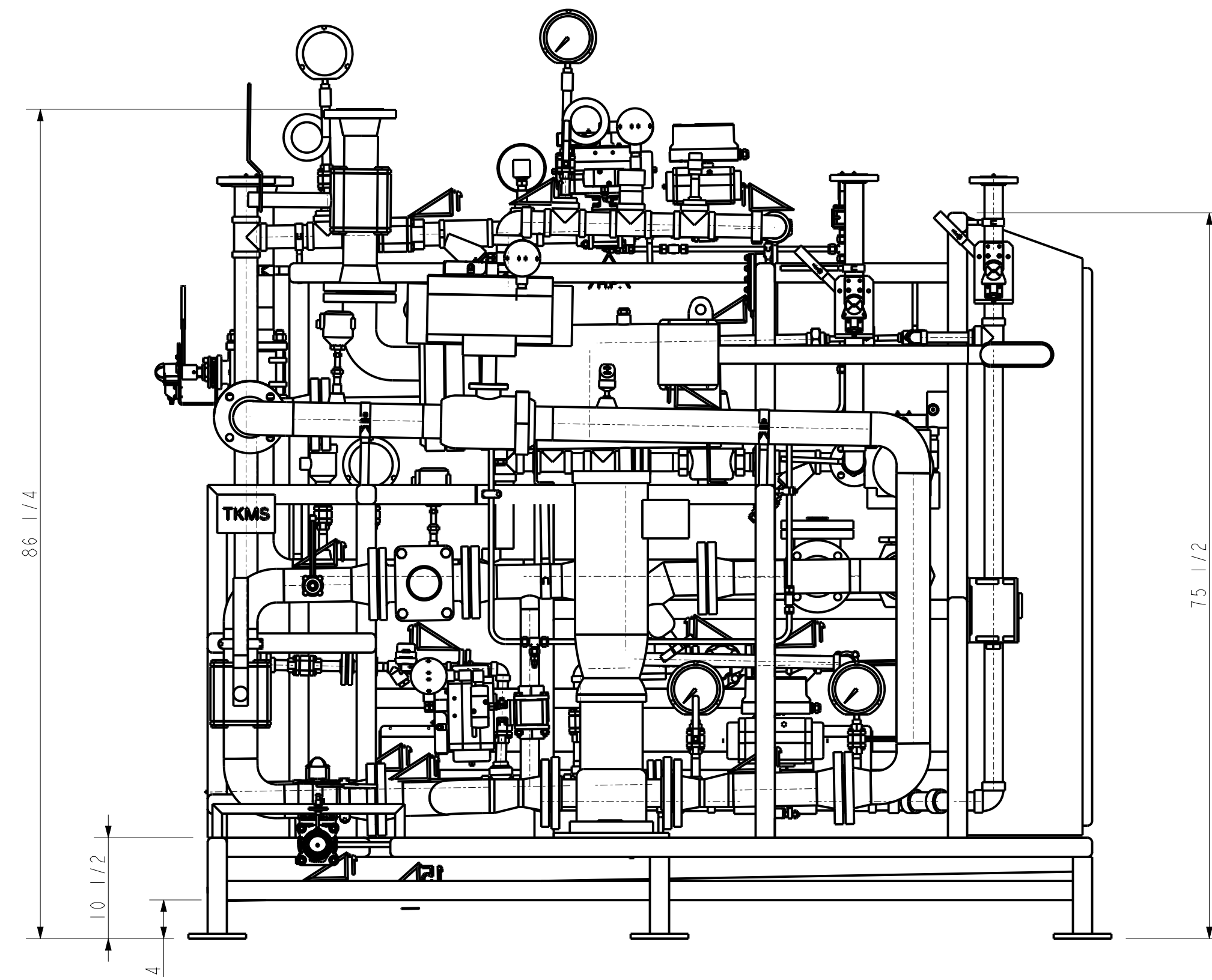


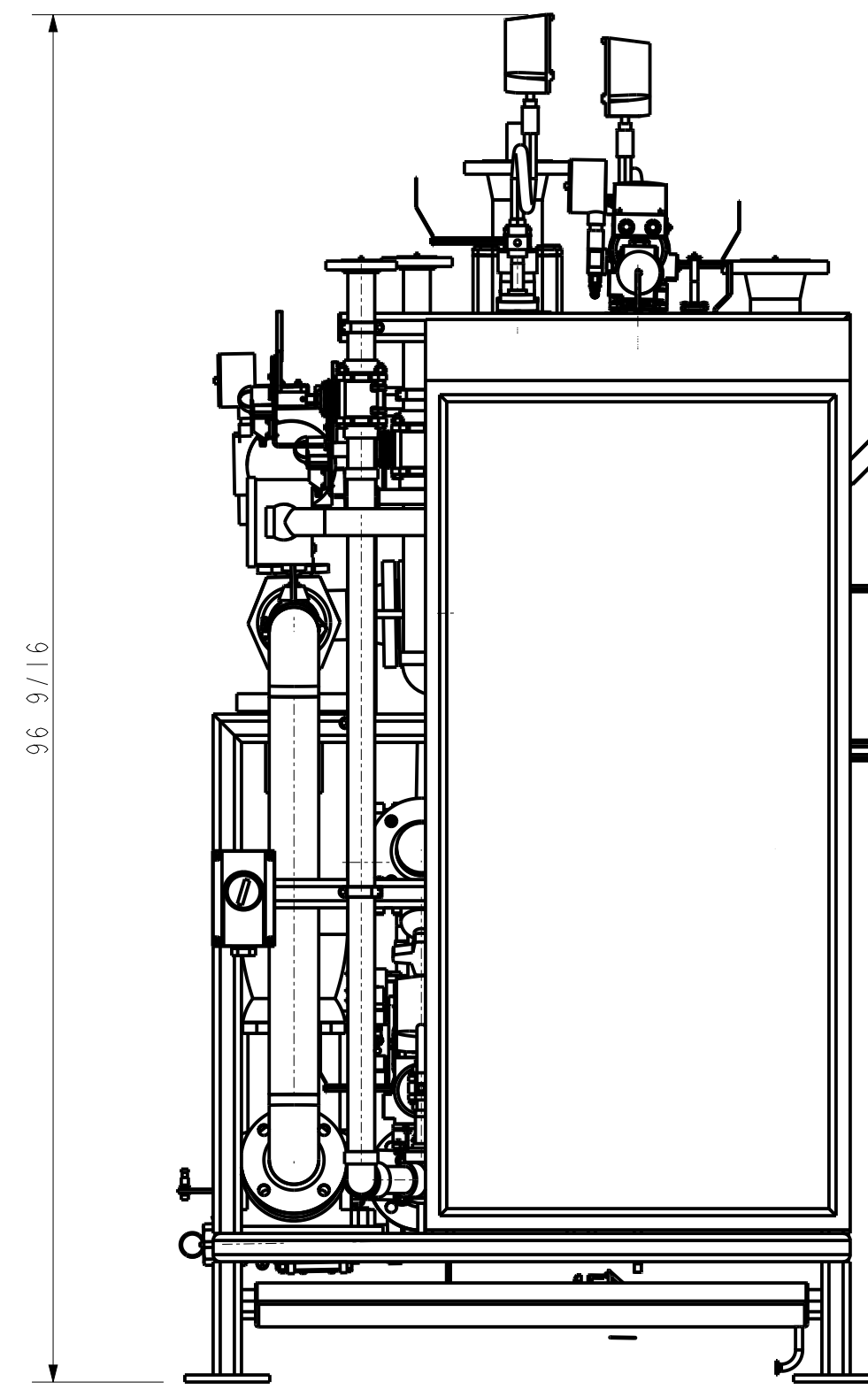
PLAN



ISOMETRIC



ELEVATION



SIDE ELEVATION

| NO. | DATE | DESCRIPTION | BY | CHK'D |
|----------|-------------|------------------------|-----|-------|
| 1 | 17-SEP-2021 | AS BUILT - NO CHANGES | SL | |
| 0 | 10-DEC-2020 | ISSUED FOR MANUFACTURE | NJA | |
| REVISION | | | | |

| | | |
|-------------|--------------------|-------------|
| SCALE | 0.083 FOR "D" SIZE | |
| DESIGNED BY | NJA | 10-DEC-2020 |
| CHECKED BY | | |
| PROJECT MGR | BC | |
| PROCESS ENG | HC | |
| FILE NAME | 700244-1-GA-201 | |

THIS DRAWING AND ALL ASSOCIATED DOCUMENTATION IS THE CONFIDENTIAL PROPERTY OF TurnKey Modular Systems Inc. AND DUPLICATION IN PART OR WHOLE WITHOUT THE PRIOR WRITTEN AUTHORIZATION OF TurnKey Modular Systems Inc. IS STRICTLY PROHIBITED.



TurnKey Modular Systems Inc.
 2590 SHERIDAN GARDEN DRIVE
 OAKVILLE, ONTARIO
 CANADA L6J 7R2
 TEL: 905-608-8006
 FAX: 905-608-8007

| | |
|----------|-------------------------------------------------------------------------------|
| CUSTOMER | CSL BEHRING BFX8 PROJECT BUILDING 33, SIXTH FLOOR KANAKEE, IL USA |
| JOB NO. | 700244 |

| | | |
|-------|--------------------------------------------------------------------------------------------|-------|
| TITLE | BFX8 PROJECT THAW TANK TCM THAW TANK TCM#1 GENERAL ARRANGEMENT ORTHOGRAPHIC VIEWS | |
| DWG# | 700244-1-GA-201 | REV 1 |