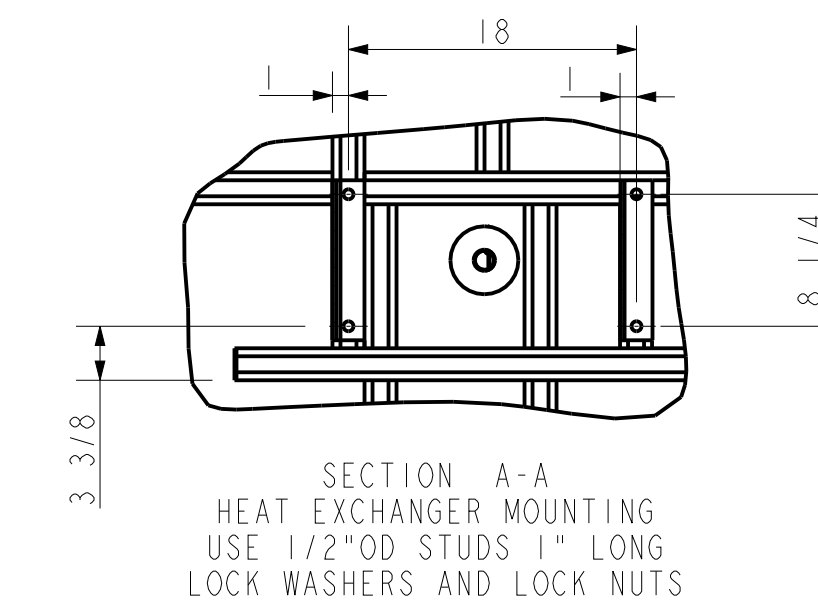
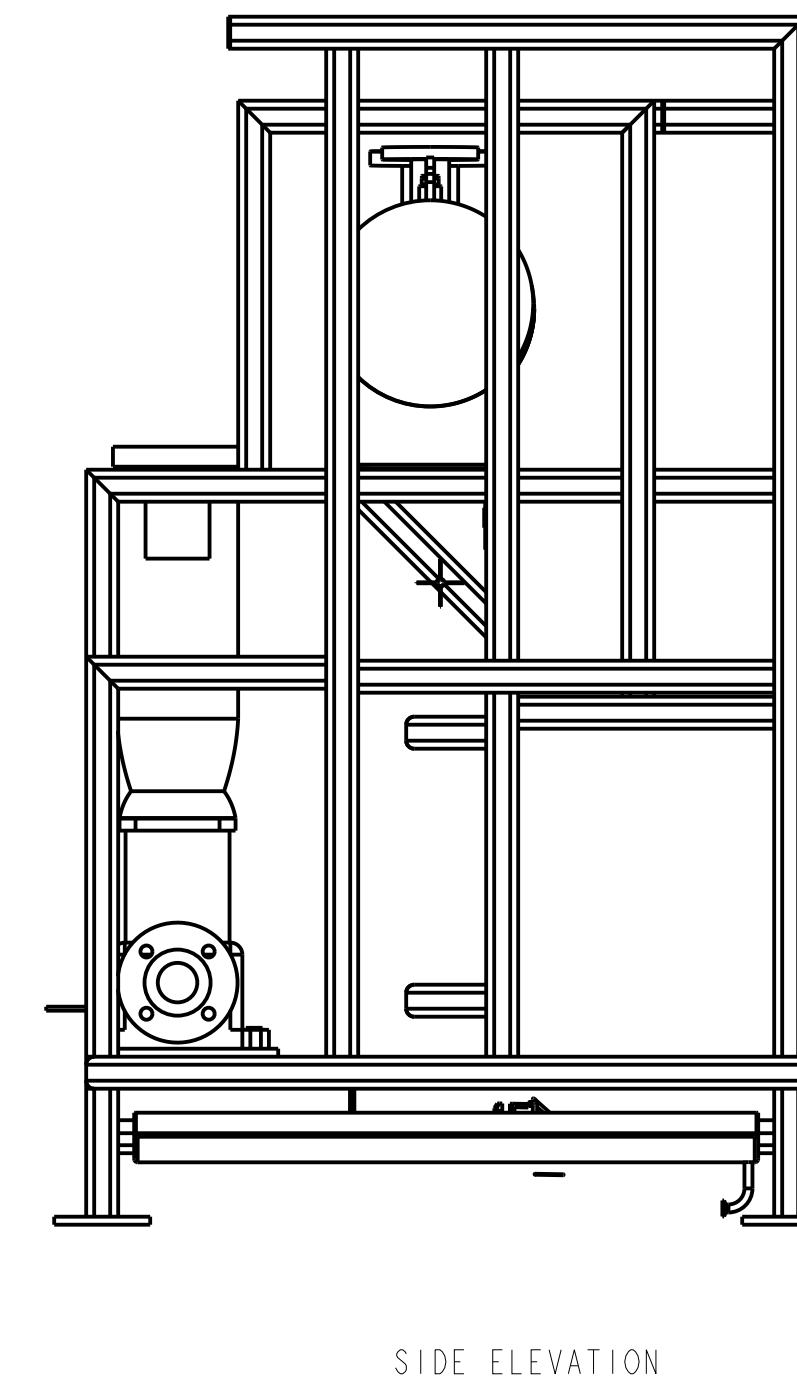
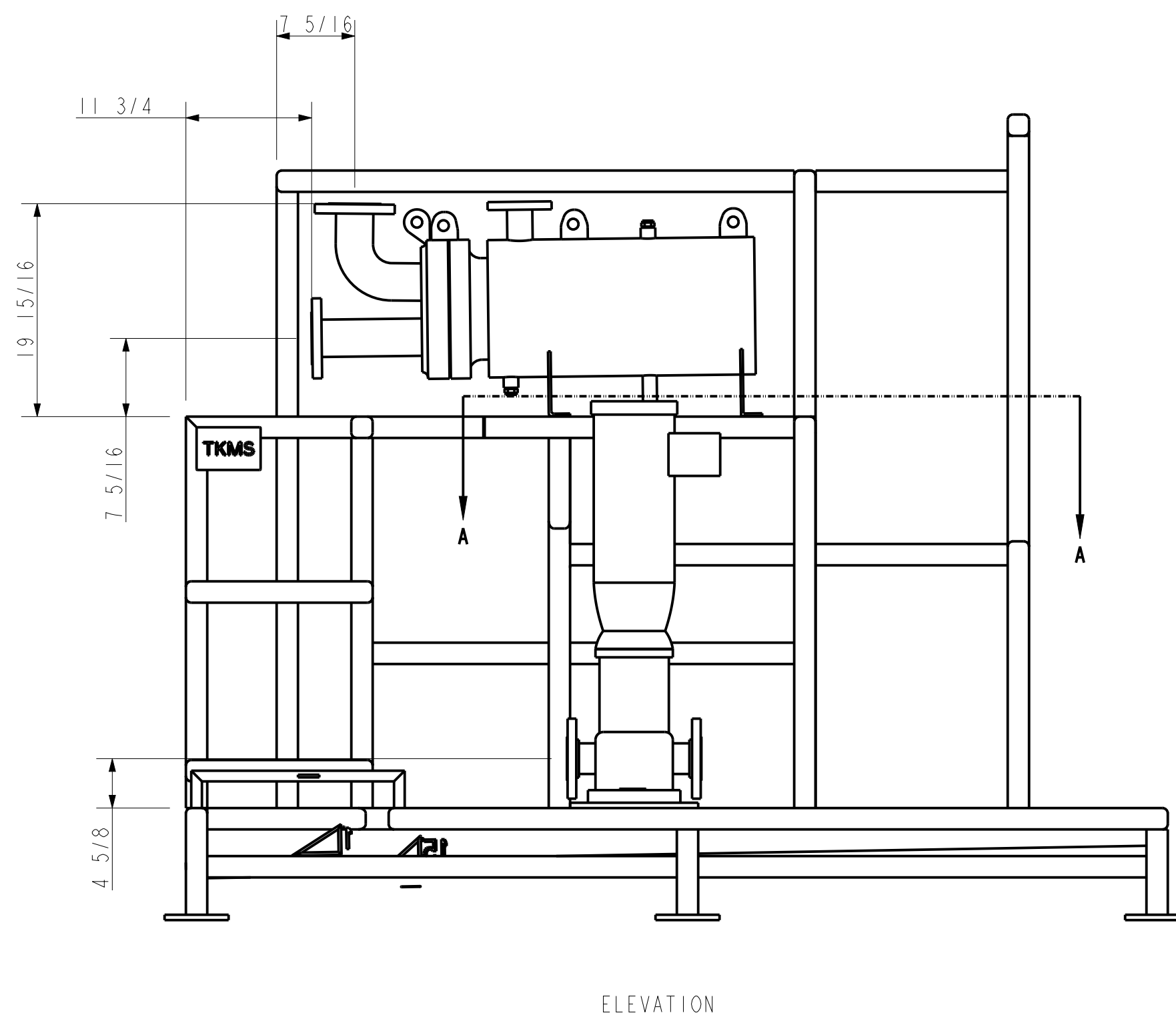
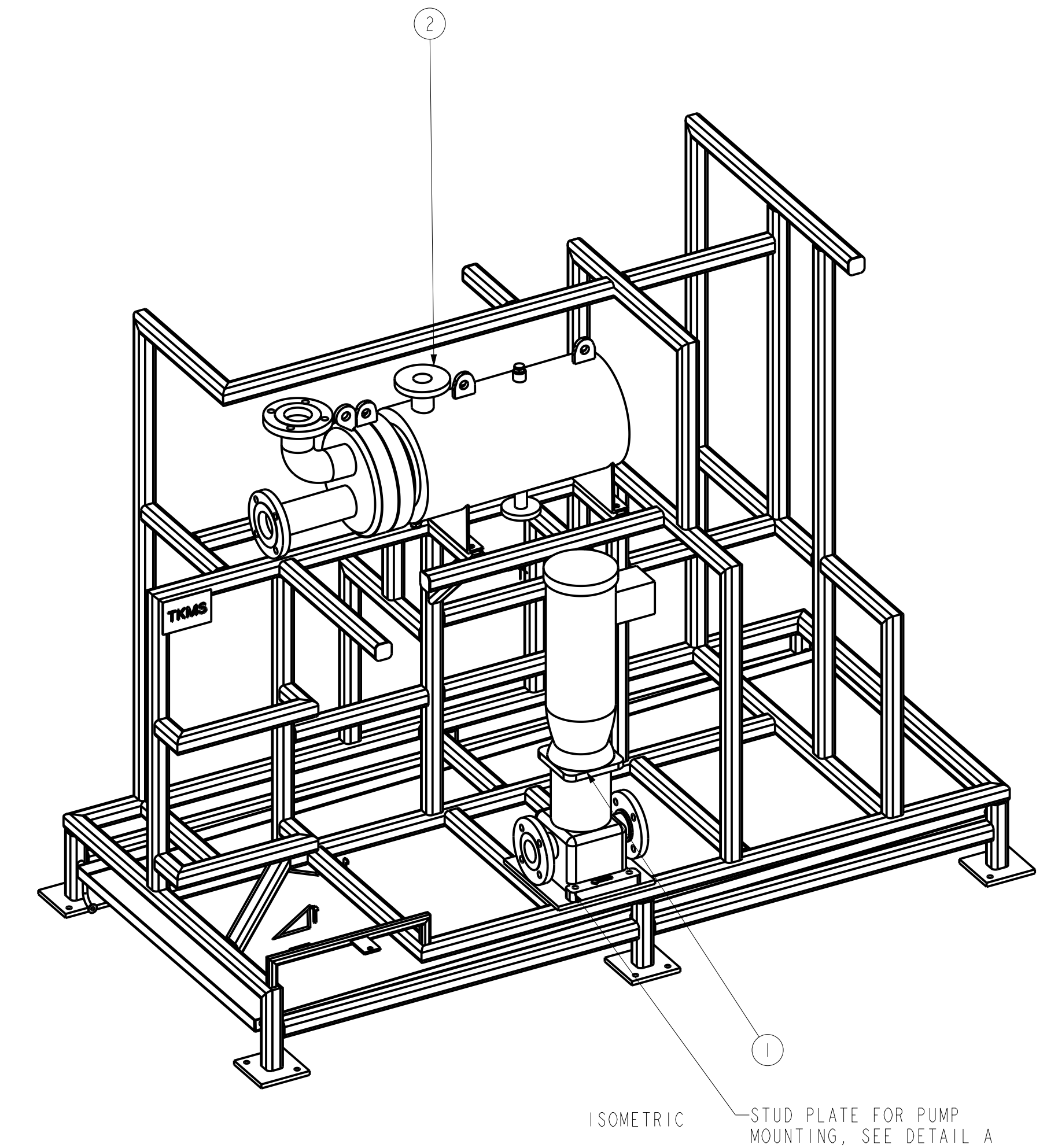
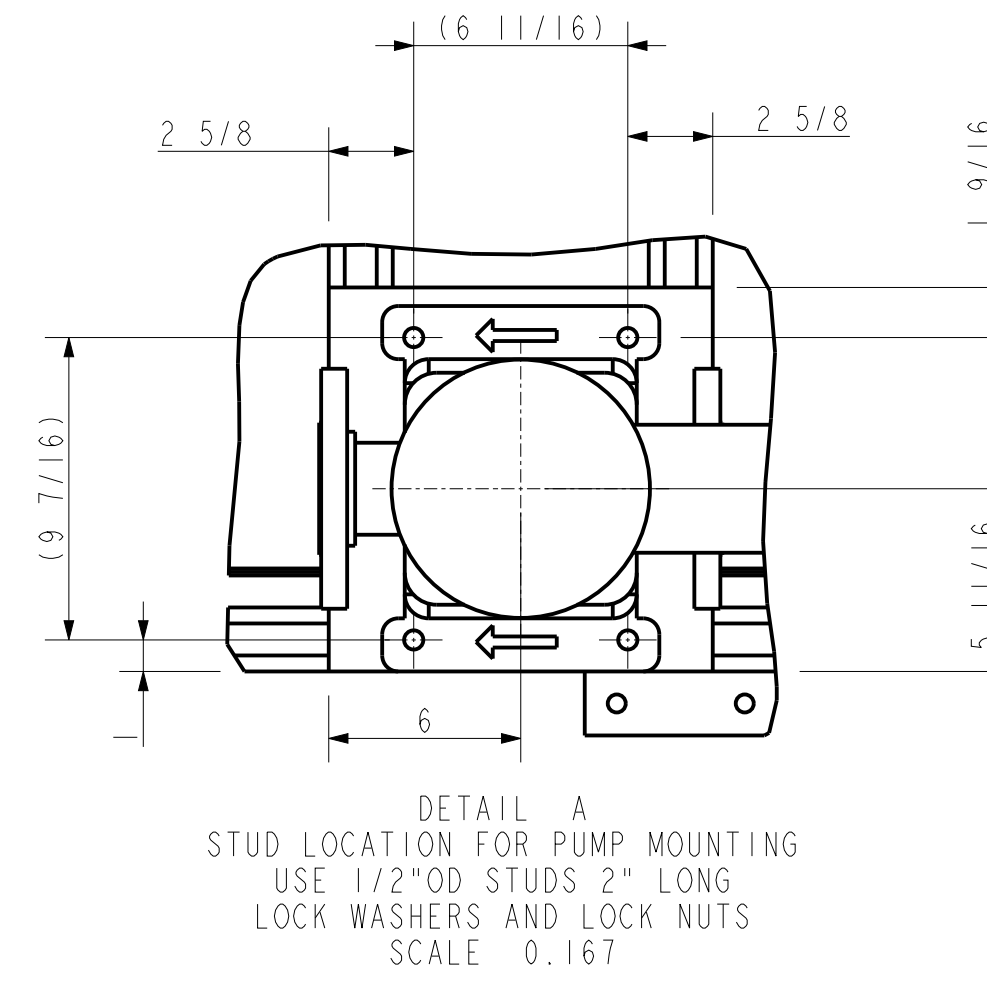
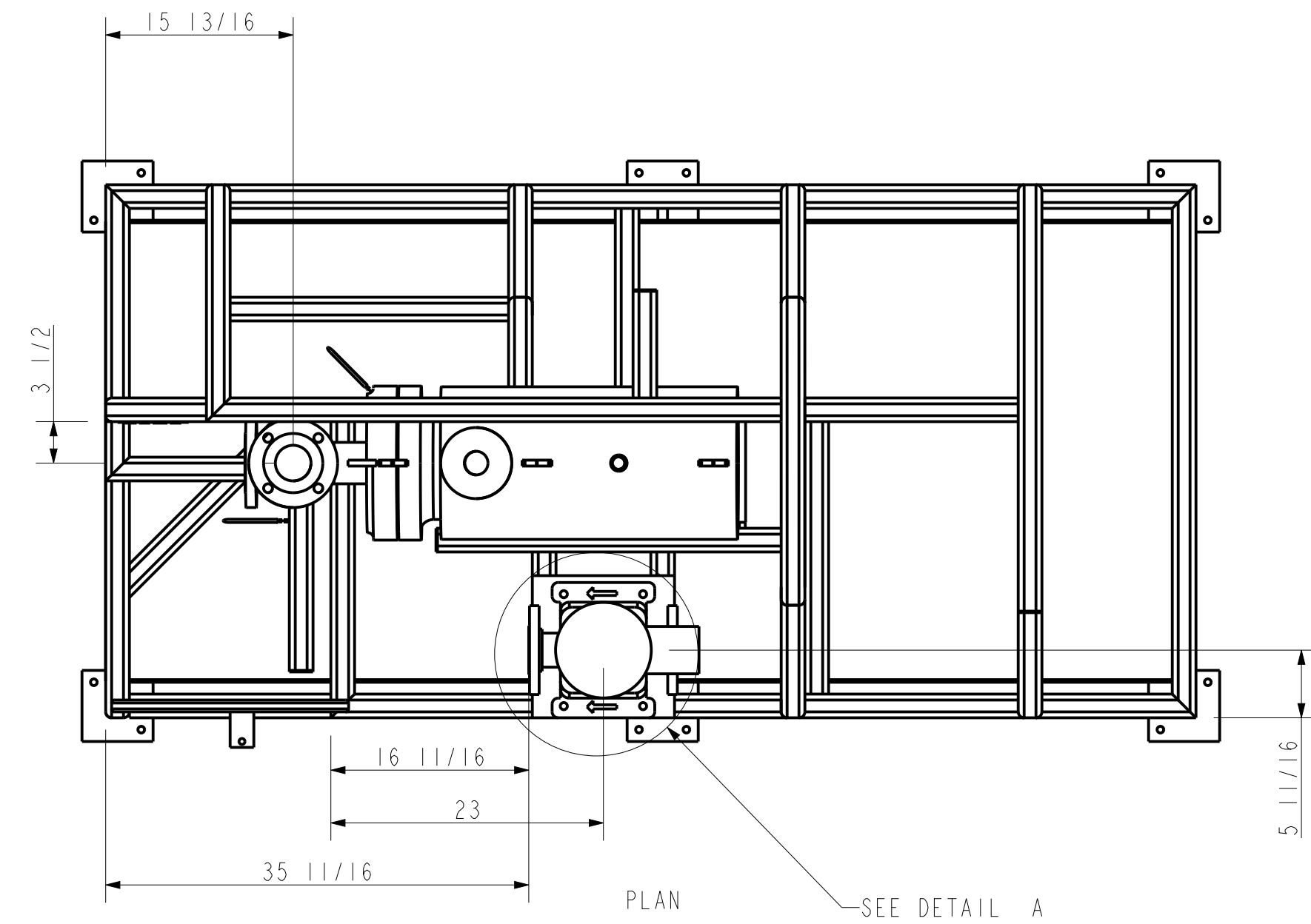


MAJOR EQUIPMENT LIST			
TAG	QTY.	INV. #	DESCRIPTION
1	1	PM-REVS33101001-001	2-1/2"BF ANSI, GOULDS PUMP 335V
2	1	HE-REVS33101001-001	2-1/2" T/C, SHELL AND TUBE HEAT EXCHANGER
MODEL NAME : 0244-M1-TCM-MASTER			



VERIFY PUMP AND HEAT EXCHANGER DIMENSION PRIOR TO INSTALLING STUDS

NO.	DATE	DESCRIPTION	BY	CHK'D	PROCESS ENG	HC	FILE NAME
1	17-SEP-2021	AS BUILT - NO CHANGES	SL				
0	10-DEC-2020	ISSUED FOR MANUFACTURE	NJA				
		REVISION					

SCALE	0.083 FOR "D" SIZE
DESIGNED BY	NJA
CHECKED BY	
PROJECT MGR	BC
PROCESS ENG	HC
FILE NAME	700244-1-GA-401

THIS DRAWING AND ALL ASSOCIATED DOCUMENTATION IS THE CONFIDENTIAL PROPERTY OF TurnKey Modular Systems Inc. AND DUPLICATION IN PART OR WHOLE WITHOUT THE PRIOR WRITTEN AUTHORIZATION OF TurnKey Modular Systems Inc. IS STRICTLY PROHIBITED.



TurnKey Modular Systems Inc.
2590 SHERIDAN GARDEN DRIVE
OAKVILLE, ONTARIO
CANADA L6J 7R2
TEL: 905-608-8006
FAX: 905-608-8007

CUSTOMER	CSL BEHRING BFX8 PROJECT BUILDING 33, SIXTH FLOOR KANAKEE, IL USA
JOB NO.	700244

TITLE	BFX8 PROJECT THAW TANK TCM THAW TANK TCM#1 MAJOR EQUIPMENT LAYOUT
DWG#	700244-1-GA-401
REV	1