



CELDEK

DATE: 8/1/2022
 PROJECT NAME: AST-1011-073 TEST TOWER
 AMCOT REFERENCE: FB20220801-1
 REP ID#: 1405
 REPRESENTATIVE: CELDEK
 CONTACT: LUIS

DESIGN CONDITIONS (PER TOWER)
 FLOW: 416 USGPM
 HWT: 95 °F
 CWT: 85 °F
 AWB: 78 °F

MODEL SELECTION

PRODUCT LINE: AST
 MODEL NUMBER: AST-1011-073
 QTY OF CELLS: 1
 QTY OF TOWERS: 1

AIR FLOW (PER CELL): 31068 CFM
 TOTAL AIR FLOW (PER TOWER): 31068 CFM
 ASHRAE 90.1 67.46 GPM/HP
 EVAPORATION: 4.16 GPM
 DRIFT LOSS: 0.00208 GPM

CAPACITY: 100.0%
 CTI CERTIFICATION: CTI STD 201 & MANUFACTURER'S THERMAL PERFORMANCE GUARANTEE

ENGINEERING DATA (ALL DATA IS PER TOWER)

DIMENSIONS & WEIGHTS

CELL LENGTH: 8' -6" OVERALL TOWER LENGTH: 8' -6" TOTAL SHIPPING WEIGHT: 3373
 CELL WIDTH: 7' -4" OVERALL TOWER WIDTH: 7' -4" TOTAL OPERATING WEIGHT: 7002
 CELL HEIGHT: 12' -4" TOWER HEIGHT: 12' -4" HEAVIEST SECTION: 2386
 SEISMIC: 1 G WINDLOAD: 60 PSF TOTAL NUMBER OF SECTIONS: 2

CONSTRUCTION

COLD WATER BASIN: GALVANIZED BOLTED SEAMS
 LOUVER FRAMES: GALVANIZED
 UPPER CASING SECTION: GALVANIZED
 MECHANICAL SUPPORT: GALVANIZED
 FAN GUARD: STAINLESS STEEL

MECHANICAL DATA

MOTOR HP: 7.5 QTY: 1 TOTAL HP: 7.5
 MOTORS ARE SINGLE SPEED, 1.15 SF, INVERTER DUTY RATED, MULTI-VOLTAGE 230/460V, 3 PHASE, 60HZ COOLING TOWER DUTY TYPE, TEFC, NEMA MG1 PART 31 COMPLIANT
 DRIVE TYPE: POWERBAND BELT DRIVE
 FAN TYPE: 'SC' LOW NOISE FAN(S)

PIPING CONNECTIONS

CONNECTION	QTY	SIZE	TYPE
INLET	1	8"	SIDE ORIENTED, FLANGED FOR CLASS 150 FLANGE
OUTLET	1	8"	BOTTOM ORIENTED, FLAT FACE FLANGE FOR CLASS 150 FLANGE
OVERFLOW	1	2"	SIDE ORIENTED, FEMALE PIPE THREAD
MAKEUP	1	1 1/4"	SIDE ORIENTED, MALE PIPE THREAD
DRAIN	1	2"	SIDE ORIENTED, FEMALE PIPE THREAD
EQUALIZER	1	8"	FIELD EQUALIZER(S): SIDE ORIENTED, BEVELED FOR WELD (BFW) & GROOVED FOR MECHANICAL COUPLING

REMOTE SUMP NA



SOUND DATA

CELDEK

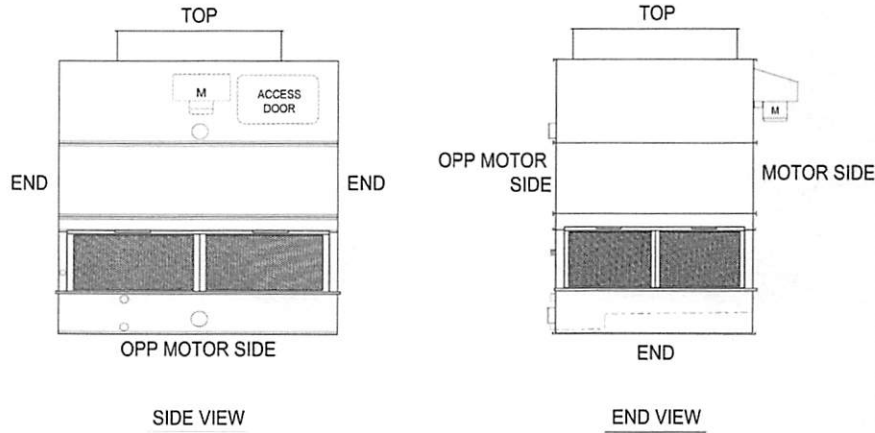
DATE: 8/1/2022
 PROJECT NAME: AST-1011-073 TEST TOWER
 AMCOT REFERENCE: FB20220801-1
 REP ID#: 1405
 REPRESENTATIVE: CELDEK

MODEL SELECTION
 PRODUCT LINE: AST
 MODEL NUMBER: AST-1011-073
 QTY OF CELLS: 1

BASIN WATER SILENCERS: NO

FAN TYPE: 'SC' LOW NOISE FAN(S)
 AIR FLOW: 31068 CFM
 MOTOR LOCATION: EXTERNAL

UNIT SOUND DATA



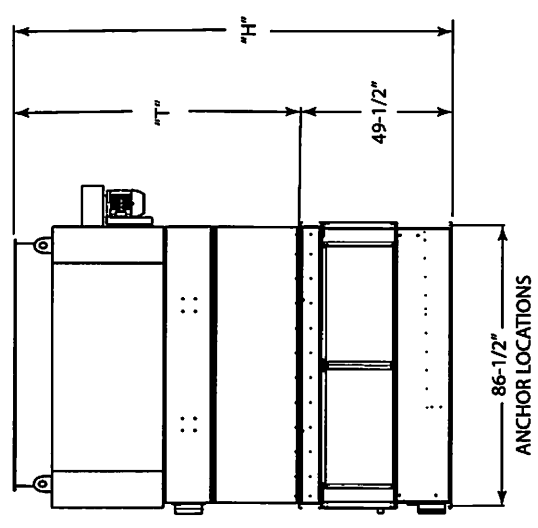
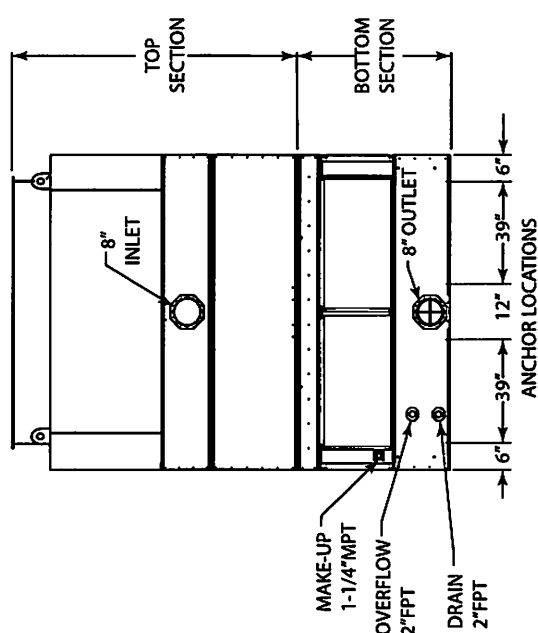
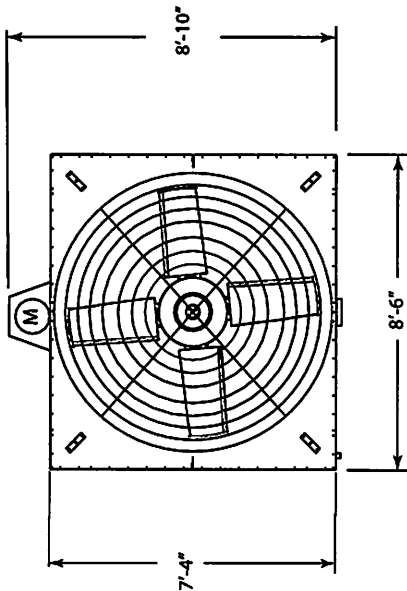
MOTOR SIDE		
OCTAVE	DISTANCE	
	5'	50'
64	76.0	55.6
128	75.0	54.6
250	72.0	51.6
500	67.0	46.6
1000	65.0	44.6
2000	59.0	38.6
4000	53.0	32.6
8000	47.0	26.6
dB(A)	70.0	49.6

OPP MOTOR SIDE		
OCTAVE	DISTANCE	
	5'	50'
64	74.0	53.6
128	73.0	52.6
250	70.0	49.6
500	65.0	44.6
1000	63.0	42.6
2000	57.0	36.6
4000	51.0	30.6
8000	45.0	24.6
dB(A)	68.0	47.6

ENDS		
OCTAVE	DISTANCE	
	5'	50'
64	73.0	52.6
128	72.0	51.6
250	69.0	48.6
500	64.0	43.6
1000	62.0	41.6
2000	56.0	35.6
4000	50.0	29.6
8000	44.0	23.6
dB(A)	67.0	46.6


TOP		
OCTAVE	DISTANCE	
	5'	50'
64	77.0	56.6
128	76.0	55.6
250	73.0	52.6
500	68.0	47.6
1000	66.0	45.6
2000	60.0	39.6
4000	54.0	33.6
8000	48.0	27.6
dB(A)	71.0	50.6

*L_p SOUND PRESSURE LEVELS ARE EXPRESSED IN (Db) REFERENCE 0.0002 MICROBAR
 MEASURED DISTANCE IS FROM PERIMETER OF UNIT
 SOUND DATA IS TESTED IN ACCORDANCE WITH CTI ATC-128 TEST CODE
 USE OF VARIABLE FREQUENCY DRIVES CAN ALTER SOUND VALUES*



MODEL NO.	TOTAL SHIPPING WEIGHT (LBS)	TOTAL OPERATING WEIGHT (LBS)	HEAVIEST SECTION (LBS)	4"	11"
AST 1011-032	2,591	6,344	1,728	11'-4"	86'-1/2"
AST 1011-033	2,889	6,743	2,026	12'-4"	98'-1/2"
AST 1011-034	3,186	7,149	2,323	13'-4"	110'-1/2"
AST 1011-052	2,591	6,355	1,728	11'-4"	86'-1/2"
AST 1011-053	2,889	6,768	2,026	12'-4"	98'-1/2"
AST 1011-054	3,186	7,178	2,323	13'-4"	110'-1/2"
AST 1011-072	2,561	6,437	1,798	11'-4"	86'-1/2"
AST 1011-073	2,959	6,855	2,096	12'-4"	98'-1/2"
AST 1011-074	3,256	7,276	2,393	13'-4"	110'-1/2"
AST 1011-102	2,661	6,464	1,798	11'-4"	86'-1/2"
AST 1011-103	2,959	6,865	2,096	12'-4"	98'-1/2"
AST 1011-104	3,256	7,284	2,393	13'-4"	110'-1/2"
AST 1011-152	2,769	6,563	1,906	11'-7"	89'-1/2"
AST 1011-153	3,067	6,998	2,204	12'-7"	101'-1/2"
AST 1011-154	3,364	7,412	2,501	13'-7"	113'-1/2"

NOTE:
 THIS DRAWING IS FOR REFERENCE ONLY - NOT A CERTIFIED PRINT FOR CONSTRUCTION.
 ALL DIMENSIONS ARE IN INCHES.
 UNIT SHIPS IN TWO SECTIONS PER CELL - REQUIRES FIELD ASSEMBLY
 BY A QUALIFIED CONTRACTOR.
 INLET AND OUTLET CONNECTIONS ARE GROOVED FOR MECHANICAL COUPLING
 AND BEVELED FOR WELDING.
 MOTORS ARE SINGLE SPEED, 1.15 SF, INVERTER RATED,
 MULTI-VOLTAGE 230/460/3 PHASE, 60HZ, TEFC, NEMA MG1 PART 31 COMPLIANT.

DRAWN TRF	06/17/2022	 AMCOT COOLING TOWER CORP. 350 N. PONDEROSA AVE. ONTARIO, CA 91761
CHECKED		
PROJECT		
LOCATION		TITLE COOLING TOWER GENERAL ARRANGEMENT
CUSTOMER		SCALE NTS
REP		SERIES 100
		DWG. NO. AST1011GA.01
		MODEL AST 1011
		REV SHEET 1 OF 1