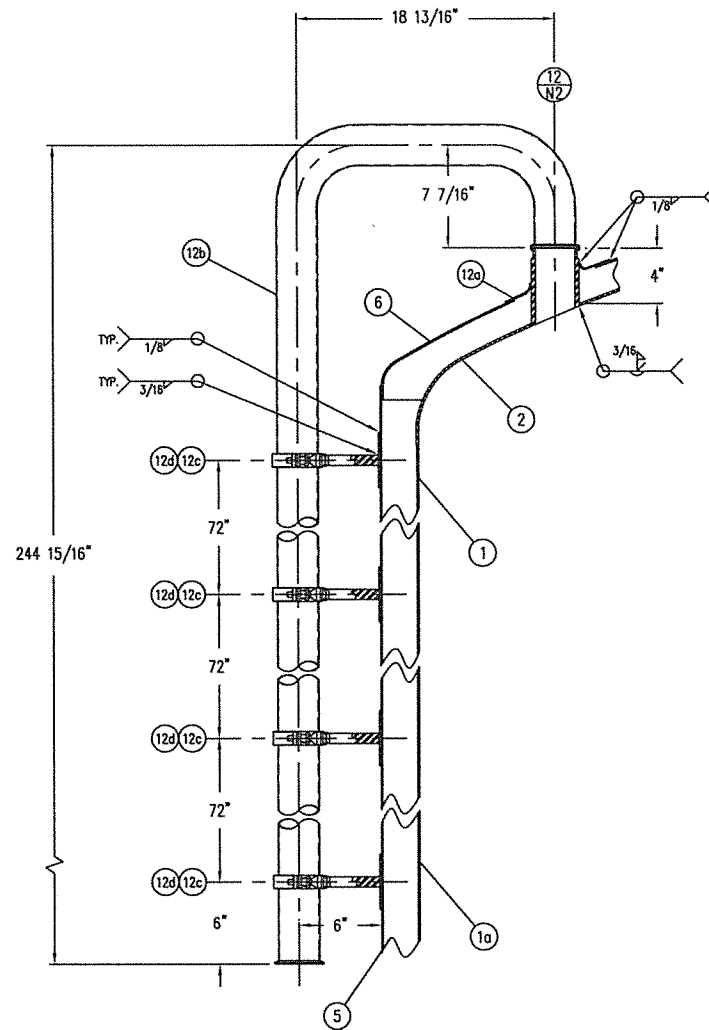
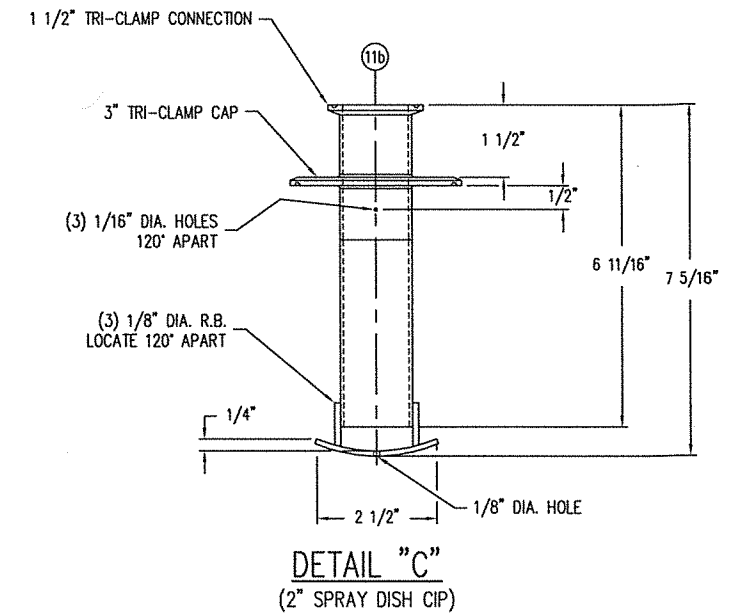


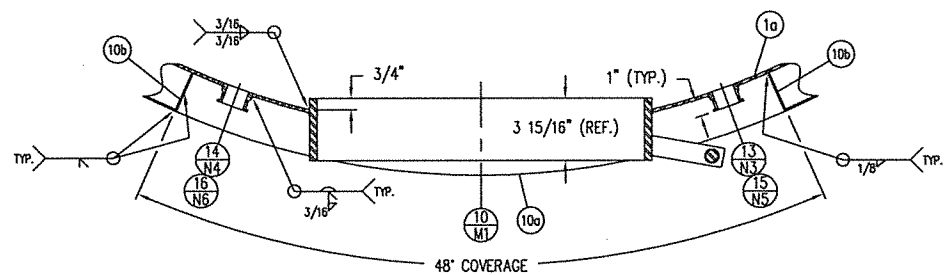
**DETAIL "A"**  
(C.I.P. SUPPLY LINE/ CONNECTION)



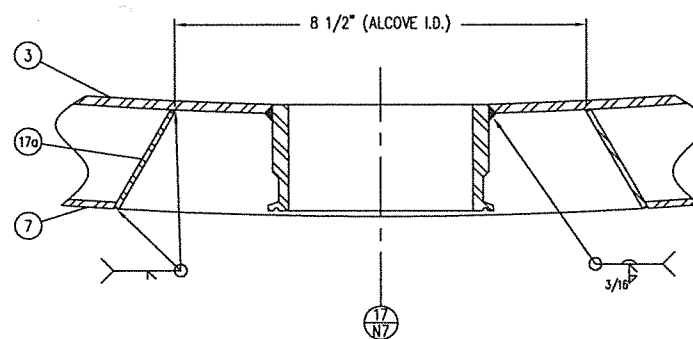
**DETAIL "B"**  
(VENT LINE/ CONNECTION)



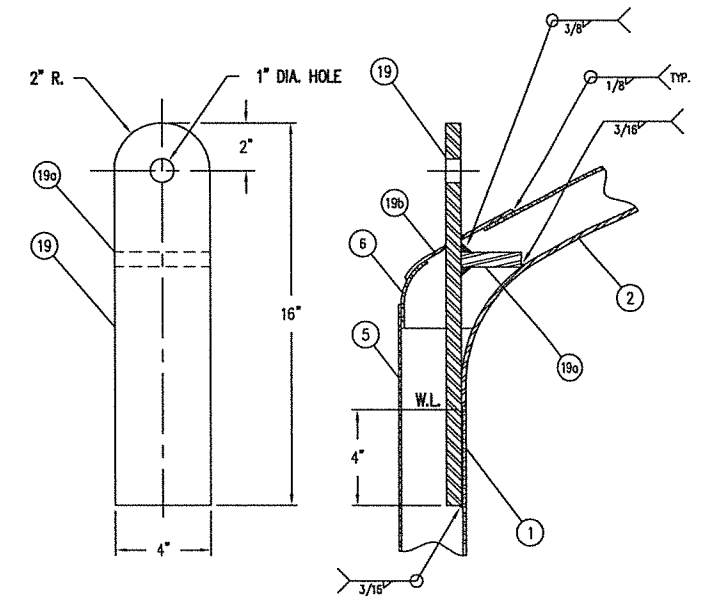
**DETAIL "C"**  
(2" SPRAY DISH CIP)



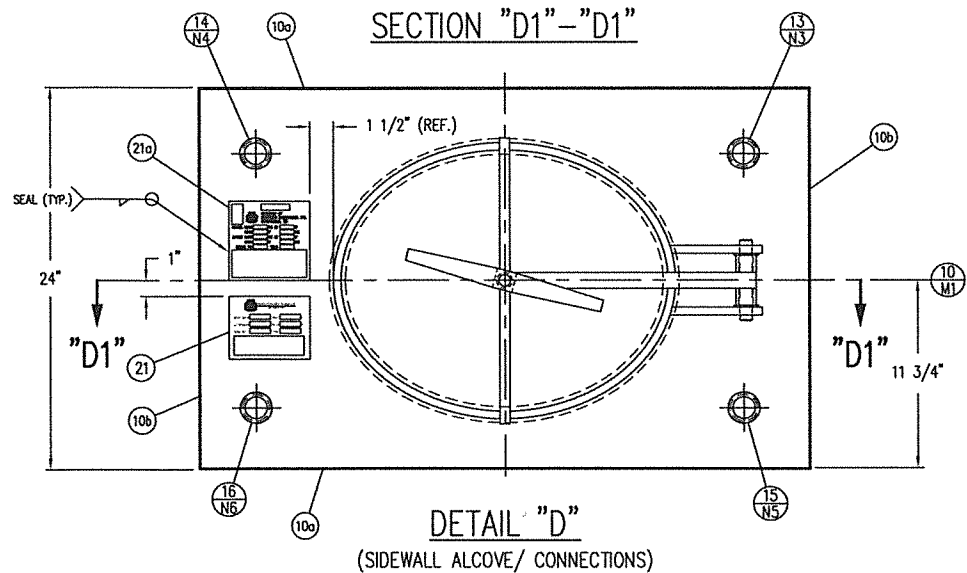
**SECTION "D1"-"D1"**



**DETAIL "E"**  
(OUTLET)



**DETAIL "F"**  
(LIFTING LUG)



**DETAIL "D"**  
(SIDEWALL ALCOVE/ CONNECTIONS)

DRAWN: RON KING	DATE: 3/19/15
CHECKED: <i>[Signature]</i>	DATE: 3/27/15
DESIGNED: <i>[Signature]</i>	DATE: 3/27/15
<b>DETAILS</b>	
WORK WITH DRAWING: 11179-1-M1	
CUSTOMER: LAGUNITAS BREWING COMPANY, PETALUMA	
CUSTOMER ORDER NO: P0008317	
SCALE: 1" = 1'	
This drawing is the property of Stainless Fabrication, Inc. Do not print, photograph, copy, or use for any purpose other than that for which it is specifically furnished.	
<b>Stainless Fabrication, Incorporated</b>	
4455 W. Kearney Springfield, MO 65803 (417) 885-5898	
<b>SFI</b>	
11179-1-D2	

**CUSTOMER APPROVAL**  
 PROCEED WITH FABRICATION ACCORDING TO THIS PRINT.  
 PROCEED WITH FABRICATION MAKING REVISIONS MARKED ON THIS PRINT.  
 REVISE AND RESUBMIT (DELIVERY DATE TO BE REVIEWED)

SIGNED: \_\_\_\_\_ DATE: \_\_\_\_\_  
 COMPANY: \_\_\_\_\_  
 Stainless Fabrication, Inc.  
 4455 W. Kearney  
 Springfield, MO 65803  
 (417) 885-5898