

Mazak

***ELECTRICAL
CIRCUIT DIAGRAMS***

INTEGREX 100III

SERIAL NUMBER: 179928

MANUAL NO. DD372070005A

MANUAL NO.

ELEMENTARY DIAGRAM LIST

SET No. : DD372070005

No.	ITEM	SPECIFICATION
1	MACHINE TYPE	INTEGREGX 100III
2	MACHINE No.	YME STANDARD
3	CNC TYPE	M640MT-Pro
4	PLC ROM No.	
5	AUX ROM No.	
6	SPINDLE 1 TYPE	SJ-4B6610K
7	MILL SPINDLE 1 TYPE	SJ-4-PMB02010-00
8	SPINDLE 2 TYPE	SJ-4B6610K
9		
10		

APR'D BY	CHK'D BY	DRWN BY
制御一部  '04.11.18 H. GOTO	制御一部  '04.11.18 H. GOTO	制御一部  '04.11.18 H. NAKAMURA

Remarks
DD372070000 EXCEPT *1 MARK '03.06.06
DD372070001 EXCEPT *2 MARK '03.11.17
DD372070002 EXCEPT *3 MARK '04.05.20
DD372070003 EXCEPT *4 MARK '04.10.30
DD372070004 EXCEPT *5 MARK '04.11.17

Option

No.	DRAWING NUMBER	TITLE
1	372070100012	ELECTRICAL POWER REQUIREMENT (*3)
2		
3	372070100100	BLOCK LINE DRAWING 1
4	372070100110	BLOCK LINE DRAWING 2
5		
6		
7	372070100200	PLC PARAMETER (1) (*2)
8	372070100211	PLC PARAMETER (2) (*4)
9	372070100221	PLC PARAMETER (3) (*4)
10	372070100230	PLC PARAMETER (4) (*2)
11	372070100240	PLC PARAMETER (5) (*2)
12	372070100250	PLC PARAMETER (6) (*2)
13	372070100260	PLC PARAMETER (7) (*2)
14	372070100270	PLC PARAMETER (8) (*2)
15		
16	372070100331	PLC PARAMETER (14) (*4)
17	372070100341	PLC PARAMETER (15) (*4)
18		
19		
20	372070100402	REMOTE I/O CONNECTION (*5)
21		
22	372070100501	BUS LINE 1 (100III) (*3)
23		
24	372070100521	BUS LINE 3 (100IIIS) (*3)
25	372070100532	BUS LINE 4 (100IIIST) (*3)

ELEMENTARY DIAGRAM LIST

SET No. : DD372070005

No.	DRAWING NUMBER	TITLE
26	372070100540	BUS LINE 5 (100III WITH 80/120TOOL MAG) (*5)
27	372070100560	BUS LINE 7 (100IIIS WITH 80/120TOOL MAG) (*5)
28	372070100570	BUS LINE 8 (100IIIST WITH 80/120TOOL MAG) (*5)
29		
30		
31		
32	372070300040	PARTS LAYOUT 4 TOTAL VIEW (*2)
33	372070300050	PARTS LAYOUT 5 CHUCK & AIR UNIT (*2)
34	372070300060	PARTS LAYOUT 6 TOOL EYE UNIT (*2)
35	372070300070	PARTS LAYOUT 8 ATC & MAGAZINE(20) (*3)
36	372070300080	PARTS LAYOUT 8 ATC & MAGAZINE(40) (*2)
37	372070300090	PARTS LAYOUT 9 TURRET UNIT (*2)
38	372070300100	PARTS LAYOUT 10 2nd. TURRET UNIT (*2)
39		
40		
41		
42		
43		
44		
45		
46		
47		
48		
49		
50		
51		
52		
53		
54		
55		
56		
57		
58		
59		
60		

ELEMENTARY DIAGRAM LIST

SET No. : DD372070005

No.	DRAWING NUMBER	TITLE
61	372070400010	LINE POWER SUPPLY
62	372070400021	LINE POWER SUPPLY AC200V LINE (*4)
63		
64		
65	372070400050	200V AUX MOTOR / AC100V / NC POWER SUPPLY
66	372070400060	DC24V
67	372070400070	DC24V LINE
68	372070400080	MAIN BREAKER SHUNT TRIP
69	372070400090	POWER SUPPLY UNIT 1 (STD/T SPEC.)
70	372070400100	POWER SUPPLY UNIT 1 (S/ST SPEC.)
71	372070400110	POWER SUPPLY UNIT 2 (T/ST SPEC.)
72		
73	372070400152	AUX MOTOR DRIVE (STD SPEC.) (*5)
74	372070400162	AUX MOTOR DRIVE (S/ST SPEC.) (*5)
75		
76		
77	372070400200	DC24V SUPPLY TO NC DI/O
78	372070400210	REMOTE I/O CONNECTION 1
79	372070400221	REMOTE I/O CONNECTION 2 (*2)
80	372070400231	REMOTE I/O CONNECTION 3 (*4)
81		
82	372070400250	MAIN SPINDLE MOTOR
83	372070400260	MAIN SPINDLE 1 FEED BACK
84	372070400271	C-AXIS CLAMP / UNCLAMP (*2)
85	372070400281	CHUCK (*2)
86	372070400290	OPTION SPINDLE CONNECTION BOX SOL.
87	372070400300	AIR KIT
88	372070400310	SLIDEWAY LUBRICATING
89	372070400321	GREASE PUMP MOTOR (*2)
90	372070400331	OPTION TOOL EYE 1 (*4)
91	372070400340	OPTION TOOL EYE 2
92	372070400351	X-AXIS SERVO MOTOR (*2)
93	372070400360	X-AXIS SERVO MOTOR ENCODER (MOTOR END)
94	372070400371	X-AXIS OPTICAL SCALE (*2)
95	372070400381	Z-AXIS SERVO MOTOR (*2)

ELEMENTARY DIAGRAM LIST

SET No. : DD372070005

PAGE 4/10

No.	DRAWING NUMBER	TITLE	
96	372070400391	Z-AXIS OPTICAL SCALE	(*2)
97	372070400401	Y-AXIS SERVO MOTOR	(*2)
98	372070400411	Y-AXIS OPTICAL SCALE	(*2)
99			
100			
101			
102	372070400461	B-AXIS SERVO MOTOR	(*2)
103	372070400471	ABSOLUTE ENCODER	(*2)
104			
105	372070400501	MILL DRIVE	(*2)
106	372070400511	TURRET SOLENOID 1	(*2)
107	372070400521	TURRET SOLENOID 2	(*2)
108	372070400532	TURRET COOLING MOTOR	(*3)
109	372070400541	TAIL MOTOR	(*3)
110	372070400552	MAGAZINE MOTOR (20/40 TOOLS SPEC.)	(*5)
111	372070400561	MAGAZINE OPERATING PANEL (20/40 TOOLS SPEC.)	(*2)
112	372070400572	MAGAZINE DOOR CIRCUIT (20/40 TOOLS SPEC.)	(*4)
113			
114	372070400601	ATC ARM MOTOR	(*3)
115	372070400612	TOOL SHIFTER (1)	(*3)
116	372070400621	TOOL SHIFTER (2)	(*2)
117			
118	372070400650	2nd SPINDLE MOTOR	
119	372070400660	2nd SPINDLE FEED BACK (PLG SPEC.)	
120	372070400670	2nd SPINDLE FEED BACK (C-AXIS SPEC.)	
121	372070400680	2nd SPINDLE C-AXIS CLAMP / UNCLAMP	
122	372070400690	2nd SPINDLE SOLENOID / SENSOR	
123	372070400701	2nd SPINDLE PC INPUT CHUCK	(*2)
124	372070400711	W-AXIS SERVO MOTOR (S/ST SPEC.)	(*2)
125	372070400720	W-AXIS SERVO MOTOR ENCODER (S/ST SPEC.)	
126			
127	372070400751	X2-AXIS SERVO MOTOR	(*2)
128	372070400760	X2-AXIS SERVO MOTOR ENCODER (MOTOR END)	
129	372070400770	X2-AXIS SERVO MOTOR ENCODER (BALL SCREW END)	
130	372070400781	Z2-AXIS SERVO MOTOR	(*2)

ELEMENTARY DIAGRAM LIST

SET No. : DD372070005

PAGE 5/10

No.	DRAWING NUMBER	TITLE
131	372070400790	TURRET 2 MOTOR
132	372070400800	TURRET 1/2 SELECT SW
133		
134	372070400851	WORK LIGHT (*2)
135	372070400860	HYDRAULIC UNIT PUMP
136		
137	372070400900	COOLANT PUMP MOTOR
138	372070400912	TURRET 2 COOLANT & RETURN PUMP MOTOR (*3)
139	372070400920	OPTION COOLANT PUMP 1 MOTOR
140	372070400930	OPTION COOLANT PUMP 2 MOTOR
141		
142	372070401001	OPTION CHIP CONVEYOR (*2)
143	372070401010	OPTION OIL SKIMER
144	372070401021	OPTION MIST COLLECTOR (*4)
145	372070401031	OPTION COOLANT CHILLER UNIT (*2)
146	372070401040	OPTION AUTO PARTS CATCHER
147	372070401051	OPTION FRONT / TOP AUTO DOOR (*4)
148		
149	372070401103	ALARM CIRCUIT (*5)
150	372070401110	EMERGENCY STOP
151	372070401121	EMG. STOP CIRCUIT (1) (*2)
152	372070401130	EMG. STOP CIRCUIT (2)
153	372070401140	DOOR INTERLOCK
154	372070401151	DOOR LOCK UNIT (*4)
155	372070401160	PC INPUT DOOR INTERLOCK
156		
157	372070401202	THERMO ANALOG INPUT (*3)
158	372070401210	POWER ON LED / RS232C
159	372070401220	OPERATING BOARD INPUT (1)
160	372070401230	OPERATING BOARD INPUT (2)
161	372070401241	OPERATING BOARD INPUT (3) (*4)
162	372070401251	OPERATING BOARD OUTPUT (*4)
163	372070401260	NETWORK I/F
164	372070401270	PARALLEL-I/F, MOUSE-I/F, KEYBOARD-I/F
165	372070401280	OPTION FLASH TOOL CMD.

ELEMENTARY DIAGRAM LIST

SET No. : DD372070005

PAGE 6/10

No.	DRAWING NUMBER	TITLE
166	372070401290	OPTION WARM UP
167	372070401300	OPTION OMM UNIT
168	372070401310	OPTION OPTICAL TOUCH SENSOR
169	372070401320	OPTION INDICATOR LIGHT (CYCLE FINISH)
170	372070401330	OPTION INDICATOR LIGHT (3 COLOR)
171	372070401341	OPTION WORK CONVEYOR (*4)
172	372070401350	OPTION MAGNUM COOLANT I/F (*4)
173	372070401370	OPTION 35k COOLANT I/F (*4)
174	372070401400	YME HIGH PRESS COOLANT I/F (1) (*4)
175	372070401410	YME HIGH PRESS COOLANT I/F (2) (*4)
176	372070401420	OPTION COOLANT SOLENOID (*4)
177	372070401440	REMOTE I/O IN YMUK CYCLE B/F I/F
178	372070401450	YMUK CYCLE BAR FEEDER I/F (1)
179	372070401460	YMUK CYCLE BAR FEEDER I/F (2)
180	372070401470	EMG. STOP POWER LINE OUT
181		
182	372070401500	M640GL EMG. STOP POWER LINE CUT (*4)
183	372070401510	M640GL I/F (CONTROL PANEL) (*4)
184	372070401520	M640GL I/F (OPERATING PANEL) (*4)
185	372070401560	REMOTE I/O IN ADDITIONAL M CODE (*4)
186	372070401570	ADDITIONAL M CODE (*4)
187	372070401590	ADD. RS232C I/F (*5)
188	372070401600	REMOTE I/O CONNECTION (80/120 TOOLS) (*5)
189	372070401610	AUX MOTOR DRIVE (80/120 TOOLS) (*5)
190	372070401620	MAGAZINE MOTOR (80/120 TOOLS) (*5)
191	372070401630	MAGAZINE OPERATING PANEL (80/120 TOOLS) (*5)
192	372070401640	MAGAZINE DOOR CIRCUIT (80/120 TOOLS) (*5)
193	372070401650	CARRIER AIR BLOW & SENSOR (80/120 TOOLS) (*5)
194	372070401660	TOOL SHIFTER MOTOR (80 TOOLS) (*6)
195	372070401670	BUS CABLE CONNECTION (80/120 TOOLS) (*5)
196	372070401680	TOOL CARRIER MOTOR (80/120 TOOLS) (*5)
197	372070401690	TOOL CARRIER I/F (80/120 TOOLS) (*5)
198	372070401700	DOOR PRESS CONFIRMATION (*4)
199		
200		

ELEMENTARY DIAGRAM LIST

SET No. : DD372070005

PAGE 7/10

No.	DRAWING NUMBER	TITLE	
201	372070500012	TERMINAL BLOCK LAYOUT 1	(*4)
202	372070500022	TERMINAL BLOCK LAYOUT 2	(*5)
203			
204	372070500050	CONTROL BOX LAYOUT	
205	372070500062	PARTS ARRANGEMENT ON AMP PANEL (STD/T SPEC.)	(*5)
206			
207	372070500082	PARTS ARRANGEMENT ON AMP PANEL (S SPEC.)	(*5)
208	372070500092	PARTS ARRANGEMENT ON AMP PANEL (ST SPEC.)	(*4)
209	372070500102	PARTS ARRANGEMENT ON CONTROL PANEL	(*4)
210	372070500114	PARTS ARRANGEMENT ON POWER PANEL (STD/T SPEC.)	(*5)
211	372070500124	PARTS ARRANGEMENT ON POWER PANEL (S/ST SPEC.)	(*5)
212	372070500130	PARTS ARRANGEMENT ON POWER PANEL 2	
213			
214	372070500151	OPTION CONTROL BOX	(*5)
215	372070500160	OPTION CONTROL BOX	(*5)
216			
217	372070500261	SPINDLE CONNECTION BOX LAYOUT	(*2)
218	372070500270	2nd. SPINDLE CONNECTION BOX LAYOUT	(*1)
219	372070500283	MAGAZINE CONNECTION BOX LAYOUT	(*5)
220	372070500291	TURRET CONNECTION BOX LAYOUT	(*3)
221	372070500300	80/120TOOL MAGAZINE CONNECTION BOX	(*5)
222			
223			
224	372070500341	OPERATING PANEL (INTE100Ⅲ)	(*2)
225	372070500350	MAGAZINE OPERATING PANEL (20/40 TOOLS MAGAZINE SPEC.)	
226	372070500360	MAGAZINE PANEL REAR VIEW (20/40 TOOLS)	
227	372070500371	OPTION PANEL	(*4)
228	372070500381	OPTION PANEL REAR VIEW	(*4)
229	372070500390	MAGAZINE OPERATING PANEL (80/120 TOOLS)	(*4)
230			
231	372070500410	OPERATING PANEL PARTS LIST	(*2)
232			
233			
234			
235			

ELEMENTARY DIAGRAM LIST

SET No. : DD372070005

PAGE 8/10

No.	DRAWING NUMBER	TITLE		
236	G372AA0A001	CONTROL BOX PARTS	(2 PAGE)	(*2)
237	G372AA0B001	CONTROL BOX PARTS	(2 PAGE)	(*2)
238	G372AA1A004	CONTROL PANEL	(5 PAGE)	(*5)
239	G372AA1B003	CONTROL PANEL	(5 PAGE)	(*5)
240	G372AA2A003	POWER PANEL	(3 PAGE)	(*5)
241	G372AA2B003	POWER PANEL	(3 PAGE)	(*5)
242	G372AA4A003	CONTROL UNIT CABLE	(3 PAGE)	(*5)
243	G372AA4B003	CONTROL UNIT CABLE	(3 PAGE)	(*5)
244	G372AB0A002	TRANSFORMER	(2 PAGE)	(*4)
245	G372AB5B000	2nd. CONTROL BOX PARTS	(2 PAGE)	
246	G372AB6B001	POWER PANEL	(2 PAGE)	(*2)
247	G372AB9A003	MAIN BREAKER	(2 PAGE)	(*4)
248	G372AC1A004	MACHINE CABLE 1	(5 PAGE)	(*5)
249	G372AC1B002	MACHINE CABLE 1	(4 PAGE)	(*5)
250	G372AF0A000	EARTH LEAKAGE BREAKER	(2 PAGE)	(*3)
251	G372AF1A002	OPTION COOLANT 1	(3 PAGE)	(*2)
252	G372AF4A002	2nd. SPINDLE	(2 PAGE)	(*3)
253	G372AF5A001	GL I/F	(3 PAGE)	(*5)
254	G372AF7A001	OPTION COOLANT 2	(3 PAGE)	(*4)
255	G372AF9A000	MAGAZINE	(2 PAGE)	(*5)
256	G372AG0A001	CHIP CONVEYOR	(2 PAGE)	(*2)
257	G372AG4A001	BAR FEEDER	(2 PAGE)	(*2)
258	G372AG4B001	BAR FEEDER	(2 PAGE)	(*2)
259	G372AG5A002	CHUCK OPTION	(2 PAGE)	(*5)
260	G372AG6A000	WORK MEASURE	(2 PAGE)	
261	G372AG7A003	TOOL EYE	(2 PAGE)	(*4)
262	G372AG8A002	INDICATORL LIGHT, PATO LIGHT	(2 PAGE)	(*5)
263	G372AG9A001	WORK CONVEYOR	(2 PAGE)	(*5)
264	G372AH0A001	AUTO POWER ON/OFF, WARM UP	(2 PAGE)	(*5)
265	G372AH3A000	AUTO DOOR	(2 PAGE)	(*5)
266	G372AH6A001	COOLANT CHILLER	(2 PAGE)	(*2)
267	G372AH6B001	COOLANT CHILLER	(2 PAGE)	(*2)
268	G372AH7A002	OIL SKIMER	(2 PAGE)	(*3)
269	G372AH8A001	MIST COLLECTOR	(2 PAGE)	(*2)
270	G372AH8B001	MIST COLLECTOR	(2 PAGE)	(*2)

ELEMENTARY DIAGRAM LIST

SET No. : DD372070005

PAGE 9/10

No.	DRAWING NUMBER	TITLE		
271	G373AJ2A000	35K COOLANT	(2 PAGE)	(*4)
272	G372AJ3A000	MAGNUM COOLANT	(3 PAGE)	(*4)
273	G372AJ4A000	YMC HIGH COOLANT	(2 PAGE)	(*4)
274	G372AJ5A000	YME HIGH COOLANT	(2 PAGE)	(*4)
275	G373AK2A003	NC TAIL	(2 PAGE)	(*5)
276	G373AK4A000	HYDRARLIC PRESSURE CHECK	(2 PAGE)	(*2)
277	G372AK6A000	ADDITIONAL M CODE	(2 PAGE)	(*4)
278	G372AK7A000	SPINDLE THROUGH AIR	(2 PAGE)	(*5)
279	G372AR0A002	2nd. TURRET	(2 PAGE)	(*3)
280	G372AR1A000	FLASH TOOL	(2 PAGE)	
281				
282				
283				
284				
285				
286	G372A10A002	ELECTRIC PARTS	(2 PAGE)	(*4)
287	G372A11A001	OPERATING PANEL	(2 PAGE)	(*2)
288	G372A11B001	OPERATING PANEL	(2 PAGE)	(*2)
289	G372A12A002	MAGAZINE OPERATING PANEL	(2 PAGE)	(*5)
290	G372A20A003	TRANSFORMER	(2 PAGE)	(*4)
291	G372A22A003	MAGAZINE CONNECTION BOX	(2 PAGE)	(*5)
292	G372A25A003	TURRET CONNECTION BOX	(2 PAGE)	(*4)
293	G372A26A004	SPINDLE CONNECTION BOX	(2 PAGE)	(*5)
294	G372A32A000	80 TOOL MAGAZINE BOX	(2 PAGE)	(*3)
295	G372A41A002	OPTION COOLANT 2	(2 PAGE)	(*4)
296	G373A42A000	FOOT SW	(2 PAGE)	(*5)
297	G373A43A000	NC TAIL	(2 PAGE)	(*3)
298	G372A44A002	2nd. SPINDLE CONNECTION BOX	(2 PAGE)	(*3)
299	G372A45A000	GL I/F	(2 PAGE)	(*5)
300	G372A50A001	CHIP CONVEYOR	(2 PAGE)	(*4)
301	G372A51A000	TURRET AIR BLOW	(2 PAGE)	(*1)
302	G372A55A001	CHUCK OPTION	(2 PAGE)	(*5)
303	G372A57A003	TOOL EYE	(2 PAGE)	(*5)
304	G372A58A000	INDICATORL LIGHT, PATO LIGHT	(2 PAGE)	(*1)
305	G372A59A001	PARTS CATCHER	(2 PAGE)	(*5)

ELEMENTARY DIAGRAM LIST

SET No. : DD372070005

No.	DRAWING NUMBER	TITLE		
306	G372A60A000	AUTO POWER ON/OFF, WARM UP	(2 PAGE)	(*2)
307	G372A63A000	AUTO DOOR	(2 PAGE)	(*5)
308	G372A66A000	COOLANT CHILLER	(2 PAGE)	(*2)
309	G372A67A001	OIL SKIMER	(2 PAGE)	(*4)
310	G372A68A000	MIST COLLECTOR	(2 PAGE)	(*1)
311	G372A70A001	2nd. TURRET	(2 PAGE)	(*2)
312	G372A73A003	CHUCK PRESSURE SW	(2 PAGE)	(*5)
313	G372A77A000	KEYBOARD, MOUSE, PRINTER PORT	(2 PAGE)	(*1)
314	G372A78A000	FLASH TOOL	(2 PAGE)	(*1)
315	G372A80A001	OPTION COOLANT 1	(3 PAGE)	(*3)
316	G372A81A001	OPTION COOLANT 3	(2 PAGE)	(*3)
317	G372A82A000	35K COOLANT	(2 PAGE)	(*4)
318	G372A83A000	MAGNUM COOLANT	(2 PAGE)	(*4)
319	G372A84A000	YMC HIGH COOLANT	(2 PAGE)	(*4)
320	G372A85A000	YME HIGH COOLANT	(2 PAGE)	(*4)
321	G372A89A000	MAZA-CARE	(2 PAGE)	
322				
323				
324				
325				
326				
327				
328				
329				
330				
331				
332				
333				
334				
335				
336				
337				
338				
339				
340				

ELECTRICAL POWER REQUIREMENT LIST

ITEM	MACHINE TYPE	INTEGREX 100 III	INTEGREX 100 III T	INTEGREX 100 III S	INTEGREX 100 III ST
△ TOTAL POWER CAPACITY		21.73KVA (27.10KVA) △ ₂	25.38KVA △ ₂ (30.74KVA)	32.93KVA △ ₂ (43.43KVA)	35.18KVA △ ₂ (45.60KVA)
SPINDLE & SERVO MOTOR		16.10KVA (21.47KVA)	19.51KVA (24.87KVA)	27.30KVA (37.80KVA)	29.31KVA (39.27KVA)
HYDRAULIC UNIT		1.96KVA			
COOLANT PUMP UNIT		1.57KVA			
COOLANT PUMP MOTOR (2nd. TURRET)		-	0.24KVA △ ₂	-	0.24KVA △ ₂
△ MAGAZINE MOTOR (20/40)		0.7KVA			
NC CONTROL		0.2KVA			
CONTROL TRANSFORMER		1KVA			
DERVICE WIRE		IV:22sq (HIV:14sq)			
EARTH WIER		22sq			

TRANSFORMER	10KVA (CONST.:10KVA, 50%ED:14KVA)
-------------	-----------------------------------

OPTION

CHIP CONVEYOR	0.14KVA (0.1KW)
CONSEP 2000 II	0.27KVA (0.2KW)
COOLANT PUMP MOTOR 1	0.70KVA (0.52KW)
COOLANT PUMP MOTOR 2	0.70KVA (0.52KW)
OIL SKIMER	0.02KVA (0.015KW)
MIST COLLECTOR	0.53KVA (0.4KW)

GANTRY ROBOT SPEC.

GANTRY ROBOT (GL50F/75F)	3.0KVA
--------------------------	--------

COOLANT PUMP MOTOR UNIT 1 : CHUCK COOLANT, SPINDLE THROUGH COOLANT
 COOLANT PUMP MOTOR UNIT 2 : CONSEP 2000 II

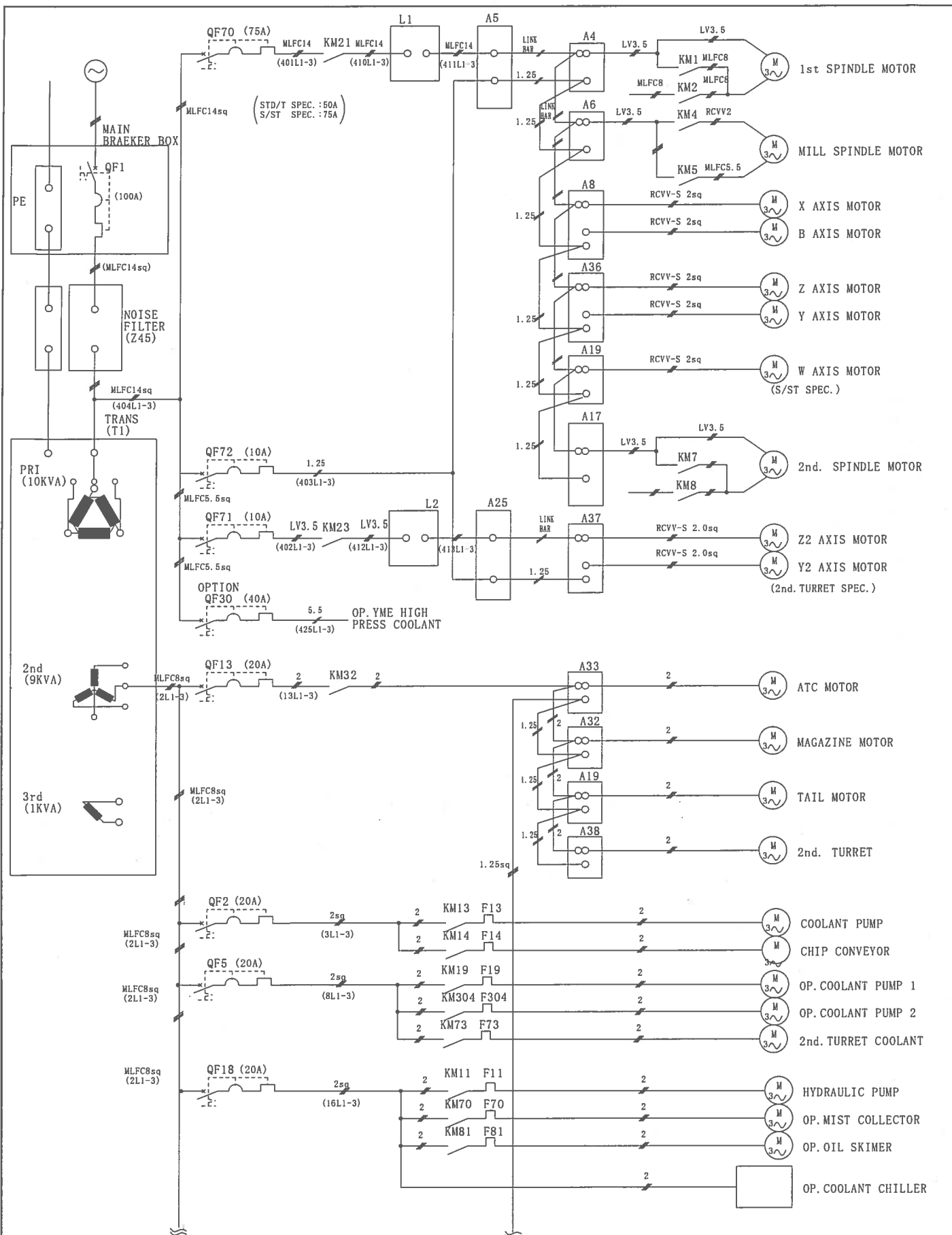
()30-min. rating

The spindle drive motor, and the servo motors are of the batch power supply scheme, the ratios of the axis were calculated as follows:

Main Spindle motor : 1.0	B axis servo motor : 0.2
X axis servo motor : 0.2	W axis servo motor : 0.2
Z axis servo motor : 1.0	X2 axis servo motor : 0.2
Y axis servo motor : 0.2	Z2 axis servo motor : 1.0

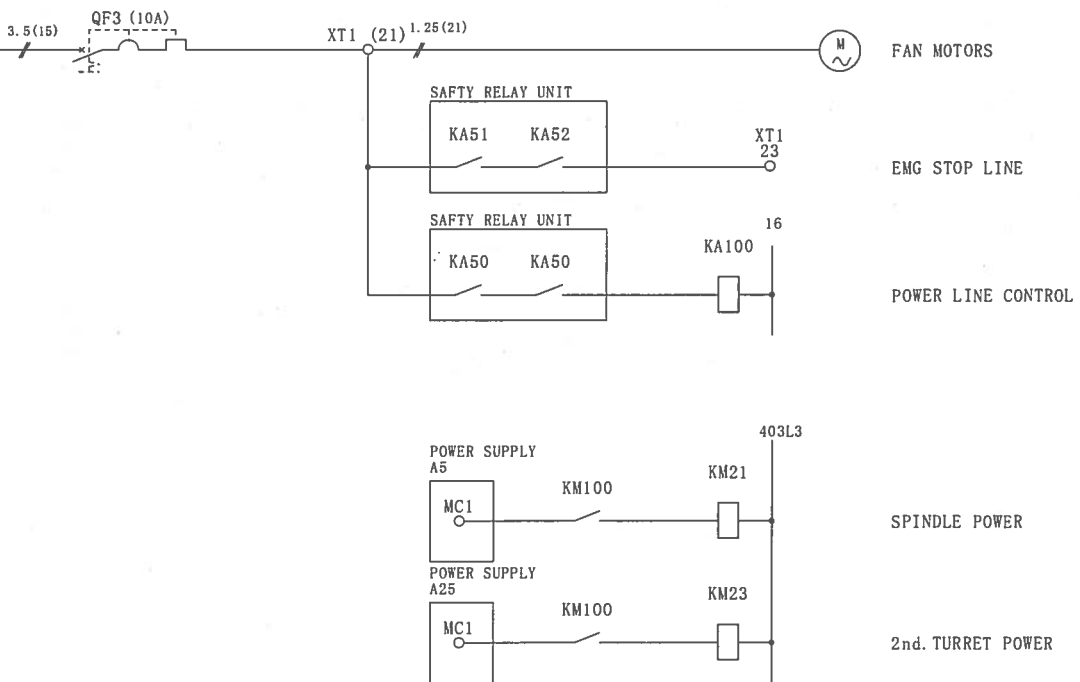
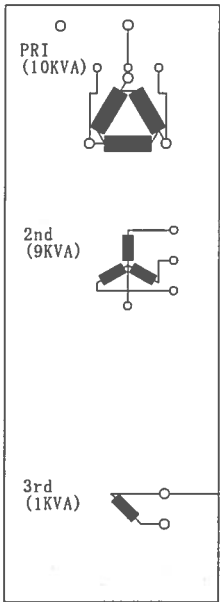
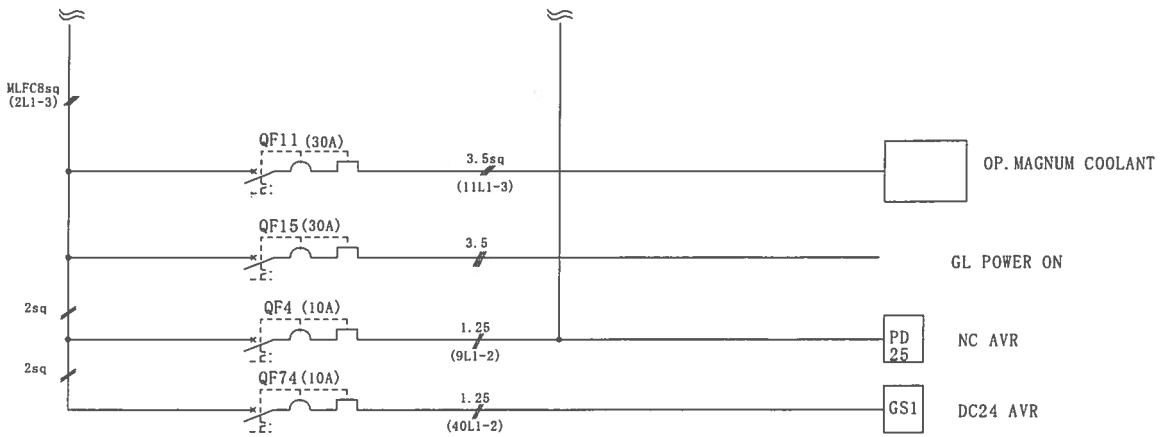
	APR'D BY	CHK'D BY	DRWN BY	TITLE
△ Change '04.05.20 H.N	H GOTO	H GOTO	04/06/28 H I NAGAKI	ELECTRICAL POWER REQUIREMENT LIST
△ Change '03.11.18 H.N				DRWN NO. 372070100012

This product is subject to all applicable Japanese Foreign Exchange and Foreign Trade Law
 本品は『外国為替及び外国貿易法』に該当しますので外国に輸出する場合には同法に基づく許可を必要とします。



	Mazak YAMAZAKI MAZAK CORPORATION				APR'D BY	CHK'D BY	DRWN BY	TITLE
					H GOTO	H GOTO	H I NAGAKI	03/07/08 BLOCK LINE DRAWING 1
								DRWN NO. 372070100100

This product is subject to all applicable Japanese Foreign Exchange and Foreign Trade Law
 本品は『外国為替及び外国貿易法』に該当しますので外国に輸出する場合には同法に基づく許可を必要とします。



△		APR'D BY	CHK'D BY	DRWN BY	TITLE
△				03/07/08	BLOCK LINE DRAWING 2
△		H GOTO	H GOTO	H I NAGAKI	DRWN NO. 372070100110
△		 YAMAZAKI MAZAK CORPORATION			

This product is subject to all applicable Japanese Foreign Exchange and Foreign Trade Law
 本品は『外国為替及び外国貿易法』に該当しますので外国に輸出する場合には同法に基づく許可を必要とします。

PLC DATA PARAMETER <RS1-RS60>

RS No.	STANDARD VALUE	COMMENT	PLC DEVICE	DIVISION
1	20	SPINDLE JOG SPEED (rpm)	R9580	SHORT
2	20	MILL JOG SPEED (rpm)	R9581	
3	100	CHUCK AIR BLAST SPINDLE SPEED (rpm)	R9582	
4	2	SPINDLE GEAR SHIFT INCHING SPEED (rpm)	R9583	
5	0		R9584	
6	0/100	2nd. CHUCK AIR BLAST SPINDLE SPEED (rpm)	R9585	
7	1	SPINDLE GEAR SHIFT NUMBERS	R9586	
8	2	MILL GEAR SHIFT NUMBERS	R9587	
9	0	MILL GEAR	R9588	
10	18	B INDEX DIV NO. 90	R9589	
11	0/20	2nd. SPINDLE JOG SPEED (rpm)	R9590	
12	0	MULTI/FLASH TOOL ANGLE (MILL ORIENT)	R9591	
13	0		R9592	
14	30	MILL MOTOR LLC PUMP ON T (INTE MARK II IPM MILL)	R9593	
15		Y-AXIS DEFFERENCE (B-AXIS 90°)	R9594	
16		Y-AXIS DEFFERENCE (B-AXIS 180°)	R9595	
17	0		R9596	
18	0	WARMING UP PROGRAM NUMBER (PROGRAM TYPE)	R9597	
19	0	TOP CUT PROGRAM No.	R9598	
20	75	ATC ARM SWING ANGLE	R9599	
21	280	ATC ARM TOOL CHANGE ANGLE	R9600	
22	0	2nd. SPINDLE ORIENT ANGLE	R9601	
23	0	2nd. SPINDLE ORIENT ANGLE (ROBOT)	R9602	
24	0	Z-AXIS MOVE POS. DATA AT ATC (80 TOOL SPEC.)	R9603	
25	10	SPINDLE MAX rpm FOR BER FEEDER SPEC.	R9604	
26	10	SPINDLE MAX rpm FOR BER FEEDER SPEC.	R9605	
27		THERMAL PARAMETER	R9606	
28		THERMAL PARAMETER	R9607	
29	0	FINE BORING ORIENT ANGLE (TURRET II)	R9608	
30	0	FINE BORING ORIENT ANGLE (TURRET V)	R9609	
31	0		R9610	
32	10	Z+ STROKE END AT TAIL JOINT	R9611	
33		Y1-AXIS STROKE BEFORE HOME RETURN (MARK II)	R9612	
34	30	CONSEP2000 FILTER STOP DELAY TIMER	R9613	
35			R9614	
36			R9615	
37	1440	GREASE COUNTER	R9616	
38			R9617	
39			R9618	
40			R9619	
41			R9620	
42			R9621	
43			R9622	
44			R9623	
45	6000		R9624	
46	3000	CHIP CONVEYOR STOP TIMER	R9625	
47	9000	WORK LIGHT OFF TIMER (WHEN FRONT DOOR CLOSE)	R9626	
48	9000	WORK LIGHT OFF TIMER (WHEN FRONT DOOR OPEN)	R9627	
49	50	RETRY STARTING TIMER of MAGAZINE SHIFTER	R9628	
50	5	RETRY RESTARTING TIMER of MAGAZINE SHIFTER	R9629	
51	3	THE NUMBER of MAGAZINE SHIFTER RETRY	R9630	
52	1000	MILL SPINDLE [rpm] : REMOVE CHIPS from TOOL	R9631	
53		TAIL THRUST MENU 1	R9632	
54		TAIL THRUST MENU 2	R9633	
55		TAIL THRUST MENU 3	R9634	
56		TAIL THRUST MENU 4	R9635	
57		TAIL THRUST MENU 5	R9636	
58		TAIL THRUST MENU 6	R9637	
59		TAIL THRUST MENU 7	R9638	
60		TAIL THRUST MENU 8	R9639	

△		APR'D BY	CHK'D BY	DRWN BY	TITLE
△				04/02/18	PLC PARAMETER (1)
△		H. GOTO	H. GOTO	H. I. NAGAKI	DRWN NO. 372070100200
△		 YAMAZAKI MAZAK CORPORATION			

This product is subject to all applicable Japanese Foreign Exchange and Foreign Trade Law
 本品は『外国為替及び外国貿易法』に該当しますので外国に輸出する場合には同法に基づく許可を必要とします。

PLC DATA PARAMETER <RS61-RS80>

RS No.	STANDARD VALUE	COMMENT	PLC DEVICE	DIVISION
61		TAIL THRUST MENU 9	R9640	
62		TAIL THRUST MENU 10	R9641	
63	1800	SAVING ENERGY MODE ON TIME	R9642	
64			R9643	
65	△ 15	OVERRIDE IN ATC SWING POSITION (KM TOOL)	R9644	
	15	OVERRIDE IN ATC SWING POSITION (BT TOOL)		
	10	OVERRIDE IN ATC SWING POSITION (CAPTO TOOL)		
66	△ 15	OVERRIDE IN ATC SWING POSITION (LOW ATC SPEED) (KM TOOL)	R9645	
	15	OVERRIDE IN ATC SWING POSITION (LOW ATC SPEED) (BT TOOL)		
	10	OVERRIDE IN ATC SWING POSITION (LOW ATC SPEED) (CAPTO TOOL)		
67	△ 13	OVERRIDE IN ATC TOOL CHANGE POSITION (KM TOOL)	R9646	
	13	OVERRIDE IN ATC TOOL CHANGE POSITION (BT TOOL)		
	13	OVERRIDE IN ATC TOOL CHANGE POSITION (CAPTO TOOL)		
68	△ 13	OVERRIDE IN ATC TOOL CHANGE POSITION (LOW ATC SPEED) (KM)	R9647	
	13	OVERRIDE IN ATC TOOL CHANGE POSITION (LOW ATC SPEED) (BT)		
	13	OVERRIDE IN ATC TOOL CHANGE POSITION (LOW ATC SPEED) (CAPTO)		
69	△ 100	OVERRIDE IN ATC -HEAVY TOOL- (KM TOOL)	R9648	
	100	OVERRIDE IN ATC -HEAVY TOOL- (BT TOOL)		
	100	OVERRIDE IN ATC -HEAVY TOOL- (CAPTO TOOL)		
70	△ 100	OVERRIDE IN ATC -STD TOOL- (KM TOOL)	R9649	
	100	OVERRIDE IN ATC -STD TOOL- (BT TOOL)	R9650	
	100	OVERRIDE IN ATC -STD TOOL- (CAPTO TOOL)	R9651	
71	1	SUPER FLOW V7 : ANALOG OUTPUT COEFFICIENT	R9652	
72	300	SUPER FLOW V7 : ANALOG OUTPUT (M550)	R9653	
73	400	SUPER FLOW V7 : ANALOG OUTPUT (M551)	R9654	
74	500	SUPER FLOW V7 : ANALOG OUTPUT (M552)	R9655	
75	700	SUPER FLOW V7 : ANALOG OUTPUT (M553)	R9656	
76	800	SUPER FLOW V7 : ANALOG OUTPUT (M554)	R9657	
77	900	SUPER FLOW V7 : ANALOG OUTPUT (M555)	R9658	
78	1000	SUPER FLOW V7 : ANALOG OUTPUT (M556)	R9659	
79				
80				

△		APR'D BY	CHK'D BY	DRWN BY	TITLE
△				04/12/02	PLC PARAMETER (2)
△		H. GOTO	H. GOTO	H. I. NAGAKI	DRWN NO. 372070100211
△	CHANGE RS65-70	'04.10.30. H. N.			
<small>YAMAZAKI MAZAK CORPORATION</small>					

This product is subject to all applicable Japanese Foreign Exchange and Foreign Trade Law
 本品は『外国為替及び外国貿易法』に該当しますので外国に輸出する場合には同法に基づく許可を必要とします。

PLC DATA PARAMETER <RL1-RL48>

RL No.	STANDARD VALUE	COMMENT	PLC DEVICE		DIVISION
1	0	SPINDLE ORIENT ANGLE	R9660	R9661	LONG
2	0	SPINDLE ORIENT ANGLE(ROBOT)(UNIT1'10)	R9662	R9663	
3	0	ADJUST SPINDLE ORIENT(UNIT1'10)TO AJC	R9664	R9665	
4		ADJUST MILL ORIENT(ATC)(UNIT1'10)	R9666	R9667	
5		WORKREST/TAIL REMAINDER DISTANCE	R9668	R9669	
6		THERMAL PARAMETER	R9670	R9671	
7		THERMAL PARAMETER	R9672	R9673	
8		THERMAL PARAMETER	R9674	R9675	
9		THERMAL PARAMETER	R9676	R9677	
10		+Z STROKE(TAIL BODY JOINT)	R9678	R9679	
11		THERMAL PARAMETER	R9680	R9681	
12		-Z STROKE(ATC COVER OPEN)	R9682	R9683	
13	△ 50	THERMAL PARAMETER	R9684	R9685	
14		-Z STROKE(TAIL BODY JOINT)	R9686	R9687	
15		ATC Z AXIS MOVE POS. (80TOOLS)	R9688	R9689	
16		ATC Yt AXIS MOVE POS.	R9690	R9691	
17		ATC X AXIS MOVE POS.	R9692	R9693	
18	5000	ATC POSITION 1	R9694	R9695	
19	84000	ATC POSITION 2	R9696	R9697	
20	273000	ATC POSITION 3	R9698	R9699	
21	355000	ATC POSITION 4	R9700	R9701	
22		ADJUST MILL ORIENT (ATC)(UNIT10) BT TOOL SPEC.	R9702	R9703	
23			R9704	R9705	
24			R9706	R9707	
25	△	TURRET 2 ESCAPE POSITION WHEN GL M21	R9708	R9709	
26		TURRET 2 ESCAPE POSITION WHEN GL M20	R9710	R9711	
27	50000	M741/M742 TAIL SPEED CHANGE POSITION	R9712	R9713	
28	△ 5000	M741/M742 TAIL PUSH DISTANCE	R9714	R9715	
29	50000	M743 TAIL REVERSE DISTANCE	R9716	R9717	
30	200	TAIL ALARM DISTANCE	R9718	R9719	
31			R9720	R9721	
32			R9722	R9723	
33	45000 46000	ATC SPEED SLOW DOWN POSITION 1 (KM TOOL) ATC SPEED SLOW DOWN POSITION 1 (BT TOOL)	R9724	R9725	
		ATC SPEED SLOW DOWN POSITION 1 (CAPTO TOOL)			
34	100000 97000	ATC SPEED RETURN POSITION 1 (KM TOOL) ATC SPEED RETURN POSITION 1 (BT TOOL)			
		ATC SPEED RETURN POSITION 1 (CAPTO TOOL)	R9726	R9727	
35	237000 235000	ATC SPEED SLOW DOWN POSITION 2 (KM TOOL) ATC SPEED SLOW DOWN POSITION 2 (BT TOOL)	R9728	R9729	
		ATC SPEED SLOW DOWN POSITION 2 (CAPTO TOOL)			
36	290000 290000	ATC SPEED RETURN POSITION 2 (KM TOOL) ATC SPEED RETURN POSITION 2 (BT TOOL)			
		ATC SPEED RETURN POSITION 2 (CAPTO TOOL)	R9730	R9731	
37	32000 40000	ATC TOOL UNCLAMP POSITION (KM TOOL) ATC TOOL UNCLAMP POSITION (BT TOOL)	R9732	R9733	
		ATC TOOL UNCLAMP POSITION (CAPTO TOOL)			
38	270000 261000	ATC TOOL CLAMP POSITION (KM TOOL) ATC TOOL CLAMP POSITION (BT TOOL)			
		ATC TOOL CLAMP POSITION (CAPTO TOOL)	R9734	R9735	
39	50000 50000	ATC TOOL UNCLAMP POSITION (LOW ATC SPEED) (KM TOOL) ATC TOOL UNCLAMP POSITION (LOW ATC SPEED) (BT TOOL)	R9736	R9737	
		ATC TOOL UNCLAMP POSITION (LOW ATC SPEED) (CAPTO TOOL)			
40	270000 265000	ATC TOOL CLAMP POSITION (LOW ATC SPEED) (KM TOOL) ATC TOOL CLAMP POSITION (LOW ATC SPEED) (BT TOOL)			
		ATC TOOL CLAMP POSITION (LOW ATC SPEED) (CAPTO TOOL)	R9738	R9739	
41			R9740	R9741	
42			R9742	R9743	
43	6000 △	MAX. TAIL PUSH INPOSITION STROKE	R9744	R9745	
44	3000 △	TAIL PUSH INPOSITION STROKE	R9746	R9747	
45			R9748	R9749	
46			R9750	R9751	
47			R9752	R9753	
48			R9754	R9755	

△		APR' D BY	CHK' D BY	DRWN BY	TITLE
△				04/12/02	PLC PARAMETER (3)
△				H I NAGAKI	DRWN NO.
△	CHANGE RL25,26,28,43,44,15 '04.10.30 H.N	H GOTO	H GOTO		372070100221



This product is subject to all applicable Japanese Foreign Exchange and Foreign Trade Law
 本品は『外国為替及び外国貿易法』に該当しますので外国に輸出する場合には同法に基づく許可を必要とします。

PLC BIT PARAMETER <RB1-RB8>

RB No.	BIT	COMMENT	PLC DEVICE
1	0	CHUCK STROKE PRS. USE	M5120
	1	CHUCK CLAMP PRS. USE	M5121
	2	CHUCK FOOT SW. DOUBLE TYPE	M5122
	3	UNCHUCKING INCHING(CHUCK FOOT SW. DOUBLE TYPE)	M5123
	4	FRONT MOUNT AIR CHUCK	M5124
	5		M5125
	6	BAR FEEDER	M5126
2	7	CYCLE BAR FEEDER	M5127
	0	TOOL EYE	M5128
	1	CHUCK PRESSURE HIGH-LOW	M5129
	2	AUTO MODE SELECT WHEN POWER ON (ABSOLUTE SPEC.)	M5130
	3	TOOL EYE FOR LONG WORK	M5131
	4	CHIP CONVEYOR INTERVAL SPEC.	M5132
	5	WORK REST 2	M5133
3	6	WORK REST 1	M5134
	7		M5135
	0	ROBOT/LOADER	M5136
	1		M5137
	2		M5138
	3	AUTO FRONT DOOR	M5139
	4	OUTSIDE ROBOT I/F	M5140
4	5	AUTO CHUCK INT./EXT. (M72, M73)	M5141
	6	CHUCK AIR BLAST	M5142
	7	SPINDLE REVERSE (CHUCK AIR BLAST)	M5143
	0	W-HOME POS. INVALID	M5144
	1		M5145
	2	WARMING UP	M5146
	3	PARTS CATCHER	M5147
5	4	AUTO POWER OFF	M5148
	5	CHUCK ROTARY TYPE	M5149
	6	AUTO POWER OFF AT RED LIGHT	M5150
	7	AUTO POWER ON ONLY	M5151
	0	SPINDLE ORIENT M17, M18 SIFT REVERSE	M5152
	1	TOOL EYE FORWARD CONDITION	M5153
	2	SPINDLE ORIENT EVERY TIME	M5154
6	3	CHUCK COOLANT	M5155
	4	OVERLOAD DETECT	M5156
	5	OVERLOAD DETECT TYPE (0:% 1:COUNTER)	M5157
	6	FRONT DOOR LOCK PIN (FRONT DOOR INTERLOCK FOR AUTO FRONT DOOR TYPE)	M5158
	7	PATO LIGHT ON AT MOO/MO1 CYCLE FINISH PATO LIGHT (YELLOW)	M5159
	0	JOG FEED SW. X, Z SAME TIME OK	M5160
	1	CYCLE START DISABLE WHEN DOOR OPEN (FRONT DOOR INTERLOCK)	M5161
7	2	SPINDLE/MILL JOG ENABLE WHEN CHOCK OPEN	M5162
	3	RAPID/HOME MODE ENABLE WHEN TOOL SET	M5163
	4	ERROR DETECT ON WHEN POWER ON	M5164
	5	PATO LIGHT ON AT MOO/MO1 CYCLE FINISH PT (GREEN)	M5165
	6	SPINDLE JOG ENABLE AT OPTIONAL STOP	M5166
	7	B AXIS SERVO OFF AT B AXIS CLAMP	M5167
	0		M5168
8	1	TAIL CENTER AIR BLAST	M5169
	2	TAIL SLEEVE FOR. CLAMP PSW. USE	M5170
	3	AJC SPEC.	M5171
	4	TAIL BODY SPECIFICATION	M5172
	5	Y AXIS SPECIFICATION	M5173
	6	HYD. PRESSURE SW. NOT USE	M5174
	7	AIR PRESSURE SW. NOT USE	M5175
	0	FLASH TOOL SYSTEM	M5176
	1		M5177
	2		M5178
	3		M5179
	4		M5180
	5		M5181
	6		M5182
	7		M5183

△		APR'D BY	CHK'D BY	DRWN BY	TITLE
△				04/02/18	PLC PARAMETER (4)
△		 YAMAZAKI MAZAK CORPORATION		H. GOTO	H. I. NAGAKI
△					DRWN NO. 372070100230

This product is subject to all applicable Japanese Foreign Exchange and Foreign Trade Law
 本品は『外国為替及び外国貿易法』に該当しますので外国に輸出する場合には同法に基づく許可を必要とします。

PLC BIT PARAMETER <RB9-RB16>

RB No.	BIT	COMMENT	PLC DEVICE
9	0	C AXIS INTERLOCK	M5184
	1	LED ON WHEN WARMUP SW VALID(NEW)	M5185
	2	GL RECHUCKING M CODE	M5186
	3		M5187
	4		M5188
	5	B AXIS NOT USE	M5189
	6	ROBOT ALARM INPUT	M5190
	7	ROBOT I/F (GL-200/GL-400 TYPE)	M5191
10	0	ATC ARM POSITION CONF. DELAY	M5192
	1	TURRET COOLANT	M5193
	2	ATC TOOL UNCLAMP TIMING CHANGE (T4)	M5194
	3	YMC SUPER FLOW MAGNUM COOLANT	M5195
	4	FLOOD/MILL THROUGH SAME TIME	M5196
	5	35K HIGH PRESSURE COOLANT	M5197
	6	MAGNUM COOLANT	M5198
	7	SHOWER COOLANT	M5199
11	0	TERMINAL ADJ. ENABLE	M5200
	1	Y AXIS ONE WAY MOVING (09000) INVALID	M5201
	2		M5202
	3		M5203
	4		M5204
	5		M5205
	6		M5206
	7	AJC DRUM FWD CONDITION CHANGE	M5207
12	0		M5208
	1		M5209
	2		M5210
	3	CHIP CONVEYER SWITCH VALID	M5211
	4	WORK REST 1 CLAMP OUTPUT	M5212
	5	WORK REST 1 CLAMP OUTPUT	M5213
	6		M5214
	7	Z AXIS INTERLOCK NEGLECT (80 TOOLS)	M5215
13	0	TAIL SLEEVE ALARM NEGLECT AT MNL MODE	M5216
	1	CHUCK EXT./INT. CHANGE NOT CHUCK MOVING	M5217
	2	FRONT DOOR OPEN X AXIS INT. → SERVO OFF	M5218
	3	ROBOT EMG. AT MACHINE EMG. 0:FHD 1:EMG	M5219
	4	LEVEL C SPEC. (EUROPE SAFETY SPEC.)	M5220
	5	INTE MARK II SPEC	M5221
	6		M5222
	7		M5223
14	0		M5224
	1		M5225
	2	CHUCK SENSOR B TYPE	M5226
	3		M5227
	4	CUT FEEDER I/F (FA) JPN/YMC	M5228
	5		M5229
	6	CONSEP 2000 CHIP CONVEYOR	M5230
	7	KNOOL MAGNUM COOLANT	M5231
15	0		M5232
	1	M8(FLAD)/M153(THROUGH) SPEC.	M5233
	2	INTEGREX 300Y/400Y SPEC.	M5234
	3	ATC REFERENCE MODE	M5235
	4	MILL 10000rpm SPEC.	M5236
	5	M CODE ADD. (4 SET)	M5237
	6		M5238
	7	ATC 3 POSITION	M5239
16	0	WORK No. SEARCH BCD	M5240
	1	COOLANT LIQUID COLLECT	M5241
	2	TAIL FOOT SW	M5242
	3		M5243
	4	SPINDLE THROUGH COOLANT	M5244
	5	SPINDLE THROUGH AIR BLAST	M5245
	6	OIL SKIMER	M5246
	7	OIL MIST COLLECTOR	M5247

△		 YAMAZAKI MAZAK CORPORATION	APR'D BY	CHK'D BY	DRWN BY	TITLE
△					04/02/18	PLC PARAMETER (5)
△			H GOTO	H GOTO	H I NAGAKI	DRWN NO.
△						372070100240
△						

This product is subject to all applicable Japanese Foreign Exchange and Foreign Trade Law
 本品は『外国為替及び外国貿易法』に該当しますので外国に輸出する場合には同法に基づく許可を必要とします。

PLC BIT PARAMETER <RB17-RB24>

RB No.	BIT	COMMENT	PLC DEVICE
17	0		M5248
	1		M5249
	2	AUTO F DOOR BOTH HANDS	M5250
	3	AUTO F DOOR BOTH HANDS (MERODY SPEC.)	M5251
	4	SHIFTER AIR BLOW AT ATC ARM TURN	M5252
	5	WORK REST AUTO JOINT INVALID	M5253
	6	WORK REST SOFT LIMIT DATA CHANGE	M5254
	7		M5255
18	0		M5256
	1	BEFORE PLC VERSION 1350022	M5257
	2		M5258
	3	WORK OUT CONVEYOR	M5259
	4		M5260
	5		M5261
	6		M5262
	7	C-AXIS IN-POS. CHECK VALID	STANDARD VALUE M5263
19	0	SS SPEC.	1 M5264
	1	SS CHUCK STROKE PRS. USE	1 M5265
	2	SS CHUCK AIR BLAST	1 M5266
	3	2ND SPINDLE ORIENT	1 M5267
	4	SS CHUCK CLAMP PRS. USE	
	5	SPINDLE NOT STOP WHEN SYNC. OFF	0 M5268
	6	SPINDLE TORQUE UP WHEN SYNC. MODE	0 M5269
	7	COOLANT CONNECTION BOX BIG TYPE	1 M5270
20	0	SS CHUCK AIR BLAST INVALID (AT TRS-CHK)	M5271
	1		M5272
	2	TURRET 3 POS. SPEC. (EXCEPT IG200SY)	M5273
	3		M5274
	4	COOLANT MENU AUTO MODE WHEN POWER ON	M5275
	5	ATC SLOW DOWN	M5276
	6	OIL MIST	M5277
	7		M5278
21	0	M640 GL I/F	M5279
	1	GL RESET HOLD	M5280
	2	APOF+WARM UP AT GL SPEC.	M5281
	3		M5282
	4		M5283
	5		M5284
	6		M5285
	7		M5286
22	0	SELECT B/F ALARM SIGNAL	M5287
	1	6MX:EXTERNAL FIN TYPE	M5288
	2	IKURA & ALPS B/F S TYPE (BAR FEED BY M6)	M5289
	3	IKURA & ALPS B/F (BAR CHECK BY M68 BAR FEED BY M69)	M5290
	4	ALPUS B/F : ASQ51/80SPEC.	M5291
	5	ALPUS SHAFT WORK PULLER	M5292
	6	SS ROT.&OPEN AT B/P REQ.	M5293
	7	YMC B/P	M5294
23	0	SS CHUCK PRESSURE H/L	M5295
	1	SS THROUGH COOLANT	M5296
	2	SS THROUGH AIR BLOW	M5297
	3	SS CHUCK COOLANT	M5298
	4	ENABLE C2-AXIS HANDLE PULS/JOG(SS 0.001deg SPEC.)	M5299
	5	SS STAR/DELTA CHANGE SPEC.	M5300
	6	SS CONTARING SPEC.	M5301
	7	SS 0.001DEGREE SPEC.	M5302
24	0	MILL SYNCRO FEED	M5303
	1		M5304
	2	TOPCUT VALID AT M6	M5305
	3	TOPCUT VALID AT M68	M5306
	4	TOPCUT VALID AT M69	M5307
	5	YMC B/F SPEC.	M5308
	6	M68 INTERNAL FIN. SIGNAL	M5309
	7	0=S.SPINDLE INHIBIT IN B/F MODE ONLY	M5310

△		APR'D BY	CHK'D BY	DRWN BY	TITLE
△				04/02/18	PLC PARAMETER (6)
△		H GOTO	H GOTO	H I NAGAKI	DRWN NO. 372070100250
△					

This product is subject to all applicable Japanese Foreign Exchange and Foreign Trade Law
 本品は『外国為替及び外国貿易法』に該当しますので外国に輸出する場合には同法に基づく許可を必要とします。

PLC BIT PARAMETER <RB25-RB32>

RB No.	BIT	COMMENT	PLC DEVICE
25	0		M5312
	1	LATCH M68 ON	M5313
	2	AUX. TOP CUT PROG. CALL ENABLE	M5314
	3	TOP CUT PROG. CALL ENABLE	M5315
	4	M64 INTERNAL FINISH SIGNAL	M5316
	5	ENABLE SPINDLE INCHING INPUT	M5317
	6	0=SPINDLE INHIBIT IN B/F MOIDE ONLY	M5318
	7	AUTO MODE OUTPUT (0=MEM OR MDI)	M5319
26	0		M5320
	1	CYCLE FINISH BUZZER	M5321
	2		M5322
	3	HOB SPEC.	M5323
	4	POLIGON SPEC.	M5324
	5		M5325
	6		M5326
	7	NOT USE FENCE (OUTSIDE ROBOT I/F)	M5327
27	0		M5328
	1	JPN/YMC F DOOR LOCK PIN SPEC.	M5329
	2	CE SPEC. (AFTER 135B31)	M5330
	3	TAIL SLEEVE PRESSURE HIGH-LOW CHANGE	M5331
	4	ECO-RICH HYD. UNIT SPEC.	M5332
	5		M5333
	6	HYDRAULIC CHILLER (1:VALID 0:NOT USED)	M5334
	7	80 TOOLS MAG. DISPLAY	M5335
28	0		M5336
	1	SPINDLE STOP DURING ATC	M5337
	2	CAPTO SPEC. (MARK II)	M5338
	3	ATC TOOL No. MEMORY CLEAR AT M65 1:VALID	M5339
	4	ATC COVER OP END HOLD	M5340
	5		M5341
	6	80 TOOL MAGAZINE MOTOR BRAKE SAME SERVO OFF	M5342
	7	80 TOOL MAGAZINE MANUAL INTERRUPT VALID	M5343
29	0	AUTO F DOOR OPEN WAIT TIME "0"	M5344
	1	AUTO F DOOR CLOSE (M57) VALID	M5345
	2	OPTICAL WORK MEASURING (TYPE:MP10)	M5346
	3		M5347
	4		M5348
	5		M5349
	6		M5350
	7	WORK MEASURE AIR BLAST INVALID	M5351
30	0		M5352
	1	20T/40T ATC Z AXIS MOVE	M5353
	2	ATC 20 TOOL (WITHOUT MAGAZINE GRIPPER)	M5354
	3	80 TOOL MAGAZINE	M5355
	4		M5356
	5	MILL CLAMP HOLD AT TARRET ROT.	M5357
	6	MILL&TOOL CLAMP HOLD AT TARRET ROT.	M5358
	7		M5359
31	0	EXT.-OVERRIDE	M5360
	1	EXT.-FEED HOLD (X13)	M5361
	2		M5362
	3		M5363
	4		M5364
	5		M5365
	6		M5366
	7		M5367
32	0	TURRET TURN INTERLOCK INVALID 1:ALARM #399	M5368
	1	MAGAZINE SHIFTER RETRY VALID	M5369
	2		M5370
	3	TURNING TOOL AIR BLOW BEFORE ATC	M5371
	4		M5372
	5		M5373
	6		M5374
	7	STAND OPTION	M5375

	APR'D BY	CHK'D BY	DRWN BY	TITLE
			04/02/18	PLC PARAMETER (7)
	H. GOTO	H. GOTO	H. I. NAGAKI	DRWN NO.
				372070100260



This product is subject to all applicable Japanese Foreign Exchange and Foreign Trade Law
 本品は『外国為替及び外国貿易法』に該当しますので外国に輸出する場合には同法に基づく許可を必要とします。

PLC BIT PARAMETER <RB33-RB40>

RB No.	BIT	COMMENT	PLC DEVICE
33	0	TURRET 2 SPEC.	M5376
	1	TURRET 2/18 POSITION SPEC (INTE200SY)	M5377
	2	TURRET 2/TIMER SPEC OF T FIN	M5378
	3	TURRET 1/TOOL CLAMP/UNCLAMP TIMER SPEC.	M5379
	4	ATC COVER NO SPEC.	M5380
	5	C AXIS SYNC.MODE SPEC.	M5381
	6	BT TOOL SPEC.	M5382
	7	NC WORK REST SPEC.	M5383
34	0	M CODE 2 SYSTEM SPEC.	M5384
	1	ATC FEED BACK SIGNAL (NC side)	M5385
	2	ATC OVERRIDE PARAMETER spec.	M5386
	3	AUTO POWER OFF PARAMETER spec.	M5387
	4	WHEN M32 with NC TAIL, CHANEGE SPEED	M5388
	5	NC TAIL spec.	M5389
	6	INDICATE DISPLAY of NC TAIL THRUST	M5390
	7	CHANGEABLE FONT SIZE of NC TAIL DISPLAY	M5391
35	0	MILL FITTING SENSOR spec.	M5392
	1		M5393
	2	MIST COLLECTOR : MECHANICAL SWITCH spec.	M5394
	3		M5395
	4	CHANGE ADDRESS of Z/Y-axis HOME L.S.	M5396
	5		M5397
	6		M5398
	7		M5399
36	0		M5400
	1		M5401
	2		M5402
	3		M5403
	4		M5404
	5		M5405
	6	B-axis BRAKE SOL. ADDRESS (0:Y500,AP24 / 1:Y4EF,AP22)	M5406
	7		M5407
37	0	WHEREVER TAIL is, CUTTING PROGRAM CAN START.	M5408
	1		M5409
	2		M5410
	3		M5411
	4		M5412
	5		M5413
	6	INTE100III spec.	M5414
	7	INTE300/400III spec.	M5415
38	0		M5416
	1		M5417
	2		M5418
	3		M5419
	4		M5420
	5		M5421
	6		M5422
	7		M5423
39	0		M5424
	1		M5425
	2		M5426
	3		M5427
	4		M5428
	5		M5429
	6		M5430
	7		M5431
40	0		M5432
	1		M5433
	2		M5434
	3		M5435
	4		M5436
	5		M5437
	6		M5438
	7		M5439

	APR'D BY	CHK'D BY	DRWN BY	TITLE	
		H. GOTO	H. GOTO	04/02/18	
				PLC PARAMETER (8)	
				DRWN NO.	372070100270

This product is subject to all applicable Japanese Foreign Exchange and Foreign Trade Law
 本品は『外国為替及び外国貿易法』に該当しますので外国に輸出する場合には同法に基づく許可を必要とします。

PLC TIMER PARAMETER <TIM1-TIM15>

TIM No.	STANDERD VALUE	UNIT	COMMENT	PLC DEVICE
1	24	10ms	TOOL UNCLAMP TIME (ATC)	T01
2	300		CHUCK CLAMP CONFIRMATION (CLAMP & UNCLAMP WITHOUT PRS. TYPE)	T02
3	300		AIR TIMER (FRONTMOUNT AIR CHUCK)	T03
4	20		TOOL UNCLAMP START TIMER (ATC)	T04
5	96		TOOL CLAMP START TIMER (ATC)	T05
6	50		B AXIS UNCLAMP TIMER	T06
7	△ 80		ADJUST TIME TOOL EYE ARM FORWARD	T07
8			TOOL EYE REVERSE END DELAY	T08
9	30		B AXIS CLAMP FINISH TIMER	T09
10	50		B AXIS CLAMP START DELAY TIMER	T10
11	5		TAIL BODY JOINT CONFIRMATION	T11
12	6		TOOL CLAMP CONFIRMATION TIMER	T12
13	200		2ND SPINDLE ROTATION START	T13
14	100		2ND SPINDLE STOP CONFIRMATION	T14
15	50		TURRET UNCLAMP TIMER	T15

△		APR'D BY	CHK'D BY	DRWN BY	TITLE
△				04/12/02	PLG PARAMETER (14)
△				H. I. NAGAKI	DRWN NO. 372070100331
△	CHANGE TIM7	'04. 10. 30. H. N.	H. GOTO	H. GOTO	



This product is subject to all applicable Japanese Foreign Exchange and Foreign Trade Law
 本品は『外国為替及び外国貿易法』に該当しますので外国に輸出する場合には同法に基づく許可を必要とします。

PLC TIMER PARAMETER <TIM16-TIM80>

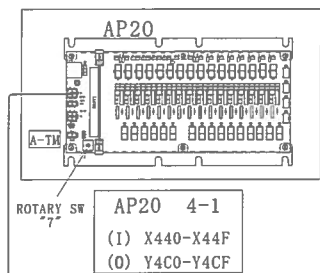
TIM No.	STANDERD VALUE	UNIT	COMMENT	PLC DEVICE
16	10		MILL SPINDLE ROTATION DELAY TIME	T56
17	20		SPINDLE ROTATION START	T57
18	10		SPINDLE STOP CONFIRMATION	T58
19	30		SS CHUCK AIR BLAST TIMER	T59
20	10		SPINDLE ROTATION CHANGE FINISH (WHEN TAP CYCLE)	T60
21	10		MILL ROTATION START	T61
22	5		MILL STOP CONFIRMATION	T62
23	0		MILL ROTATION CHANGE FINISH (WHEN TAP CYCLE)	T63
24	10		CHUCK CLAMP PRESSURE ALARM TIMER	T64
25	10		TAIL SLEEVE FORWARD PRESSURE ALARM TIMER/C2 AXIS BRAKE DELAY	T65
26	150		WORK OUT CONVEYOR	T66
27	10		SPINDLE ORIENT FINISH TIME	T67
28	5		80 TOOL MAGAZINE	T68
29	0		MILL ORIENT FINISH TIME	T69
30	0			T70
31	0			T71
32	0			T72
33	6000		COOLANT LIQUID COLLECT OFF TIMER	T73
34	50		COOLANT LIQUID COLLECT ON TIMER	T74
35	200		LEVEL C EMG. STOP DELAY TIMER	T75
36	10		C AXIS BRAKE -> CLAMP DELAY	T76
37	300		AUTO POWER OFF TIMER	T77
38	30		CHUCK AIR BLAST (M58) TIMER	T78
39	10		TOLL EYE FORWARD END CONFIRMATION	T79
40	20		TOLL EYE REVERSE END CONFIRMATION	T80
41	3000		CHIP CONVEYER INRERMITTENT ON TIMER	T81
42	3000		CHIP CONVEYER INRERMITTENT OFF TIMER	T82
43	5		C AXIS BRAKE OFF-> TORQUE LOW DELAY (AT C AXIS UNCLAMP/BRAKE->CLAMP)	T83
44	3		TORQUE STD -> C AXIS BRAKE DELAY (AT C AXIS CLAMP ->BRAKE)	T84
45	3		TORQUE STD -> C AXIS UNCLAMP DELAY (AT C AXIS CLAMP ->UNCLAMP)	T85
46	10	100ms	C AXIS UNCLAMP DELAY (AT C AXIS BRAKE->UNCLAMP)	T86
47	10		MAIN SP RECHUKING M CODE	T87
48	10		2 n SP RECHUKING M CODE	T88
49	50		HYDRAULIC PRESSURE LOW TIME	T89
50	100		PNEUMATIC PRESSURE LOW TIME	T90
51	10		ATC COVER OP END HOLD ALARM TIME	T91
52	1		CHUCK PRESSURE HIGH BARANCE TIME	T92
53	1		CHUCK PRESSURE LOW BARANCE TIME	T93
54	50		WORK REST CLAMP FINISH TIME	T94
55	20		WORK MEASURE START DELAY	T95
56	5		C AXIS UNCLAMP->BRAKE DELAY (AT C AXIS UNCLAMP->CLAMP)	T96
57	10		ATC AIR BLOW TIMER	T97
58	10		2ND CHUCK CLAMP PRESSURE ALARM TIMER	T98
59	1		BAR MATERIAL CHECK TIMER	T99
60	20		2ND CHUCK CLAMP CONFIRMATION	T100
61	600		HEAD COOLANT PUMP PRESSURE DOWN	T101
62	3600		SLIDE WAY LUBE ALARM TIME	T102
63	3000		SLIDE WAY LUBE PUMP OFF TIME	T103
64	600		SLIDE WAY LUBE PUMP ON TIME	T104
65	2		T FIN MASK	T265
66	5		B AXIS BRAKE TIMER	T266
67			TOOL TYE BRAKE OFF TIME(UNDER REVERSE)	T267
68			TOOL TYE BRAKE OFF TIME(UNDER FORWAED)	T268
69			TOOL TYE BRAKE ON TIME(UNDER FORWAED)	T269
70	0			T270
71	0		TURRET 2 DELAY AFTER T FIN	T271
72	20		MILL SPINDLE ROTATION TIME	T272
73	10	△	THERMAL DATA INTERVAL	T273
74	10		TAIL TORQUE LIMIT TIMER	T274
75	1		TAIL SPEED CHANGE TIMER	T275
76	5		TAIL UNCLAMP TIMER	T276
77	50		TAIL POSITION CHECK TIMER	T277
78	10		TAIL M-CODE CHECK TIMER	T278
79	5		J2CT PARAMETER CHANGE TIMER	T279
80	5		TAIL CLAMP TIMER	T280

△		APR'D BY	CHK'D BY	DRWN BY	TITLE
△				04/12/02	PLC PARAMETER (15)
△				H I NAGAKI	DRWN NO. 372070100341
△	CHANGE RL25, 26, 28, 43, 44, 15 '04.10.30 H.N		H GOTO	H GOTO	

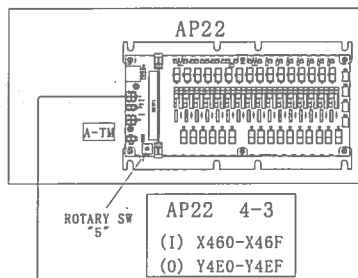


This product is subject to all applicable Japanese Foreign Exchange and Foreign Trade Law
 本品は『外国為替及び外国貿易法』に該当しますので外国に輸出する場合には同法に基づく許可を必要とします。

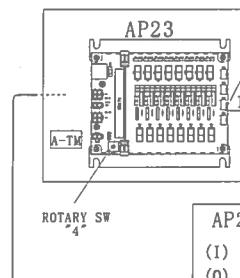
SPINDLE CONNECTION BOX



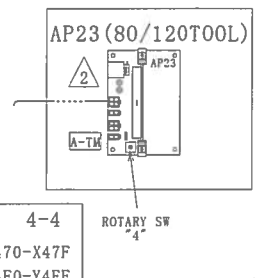
TURRET CONNECTION BOX



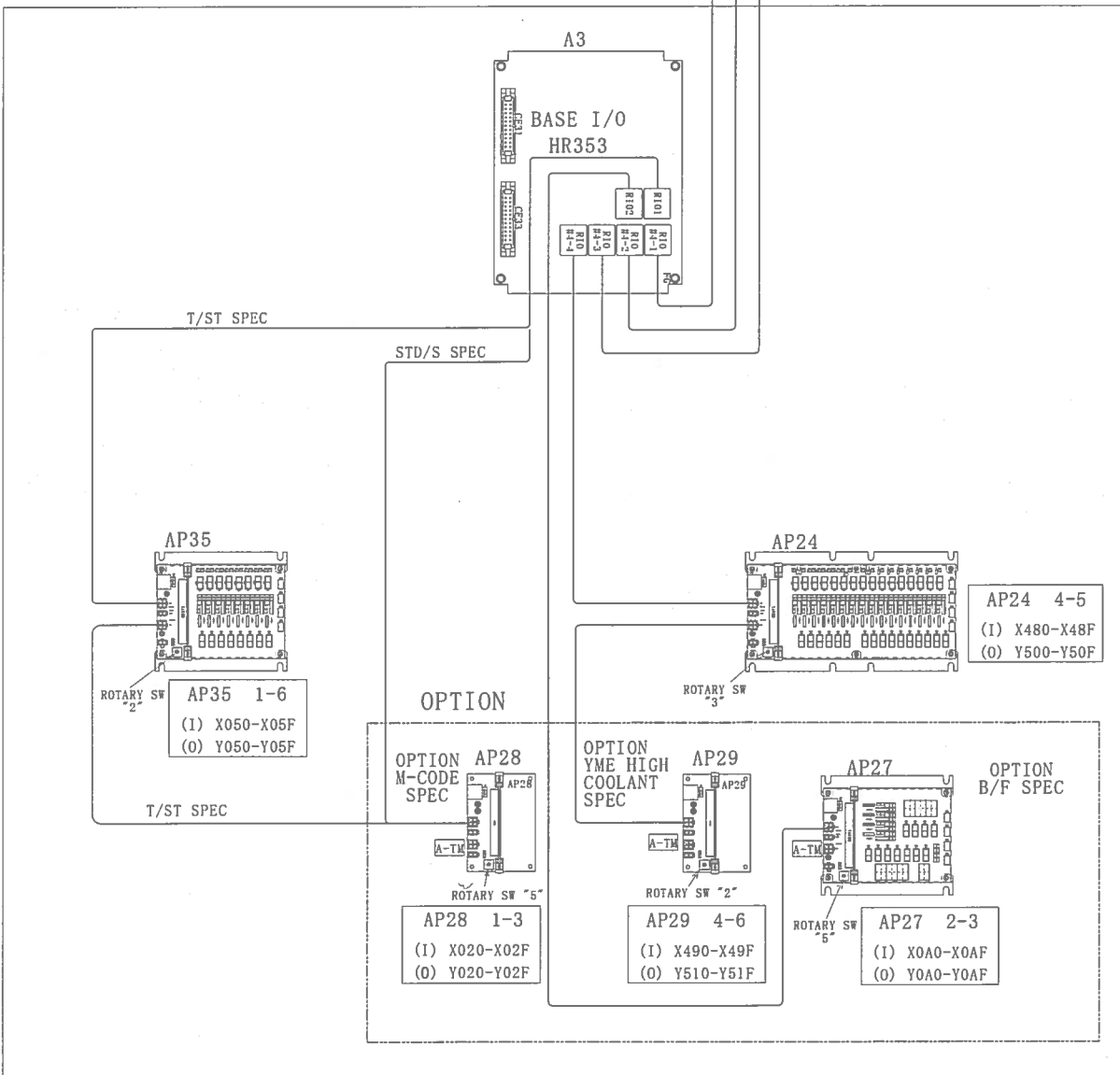
20/40TOOL MAGAZINE CONNECTION BOX



80/120TOOL MAGAZINE CONNECTION BOX



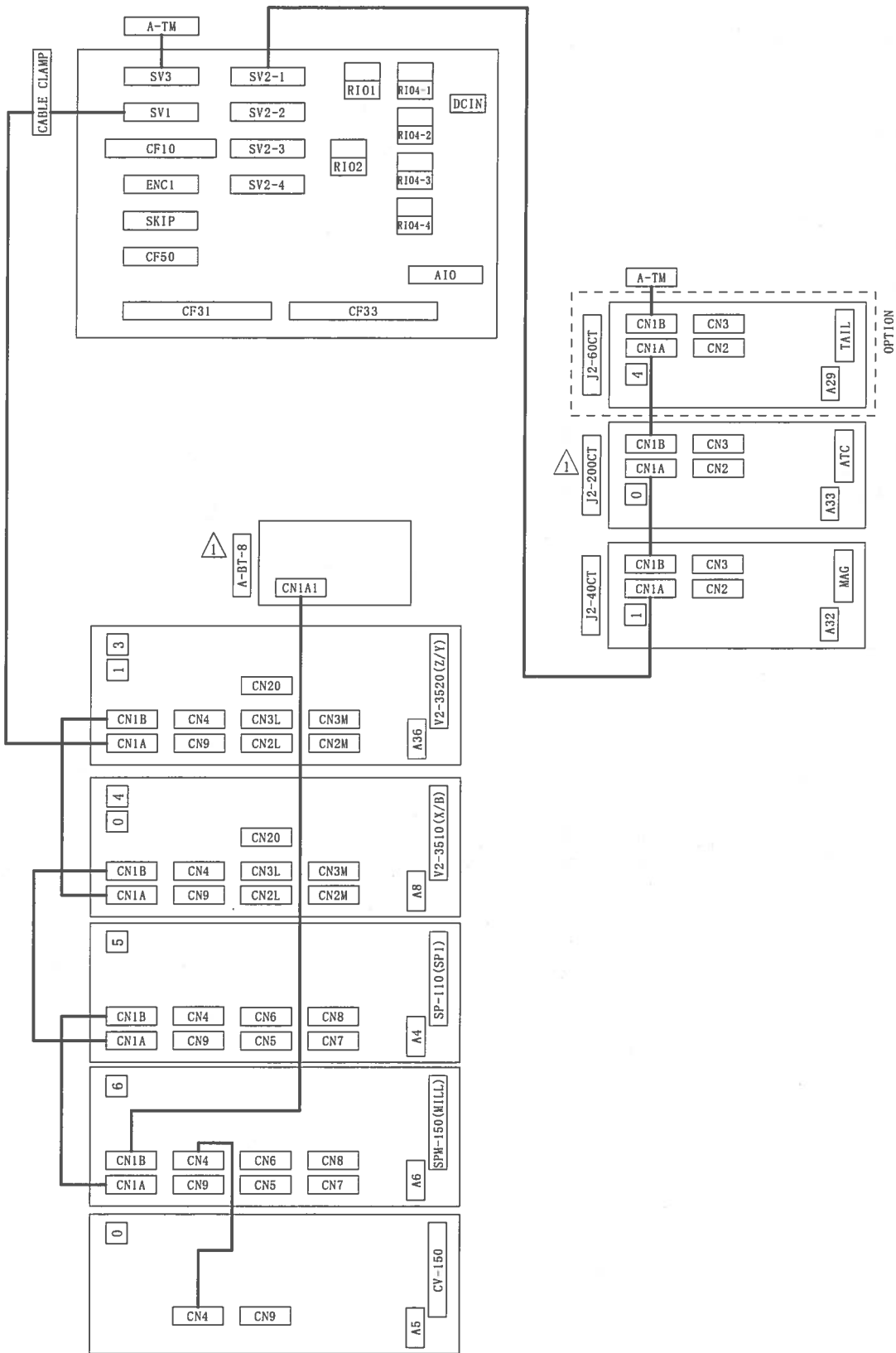
CONTROL BOX



△			APR' D BY	CHK' D BY	DRWN BY	TITLE
△					04/12/02	REMOTE I/O CONNECTION
△			H. GOTO	H. GOTO	H. I NAGAKI	DRWN NO. 372070100402
△	CHANGE	'04.05.14. H. N	 YAMAZAKI MAZAK CORPORATION			

This product is subject to all applicable Japanese Foreign Exchange and Foreign Trade Law
 本品は『外国為替及び外国貿易法』に該当しますので外国に輸出する場合には同法に基づく許可を必要とします。

【 INTE-100 III 】



△	
△	
△	
△	CHANGE

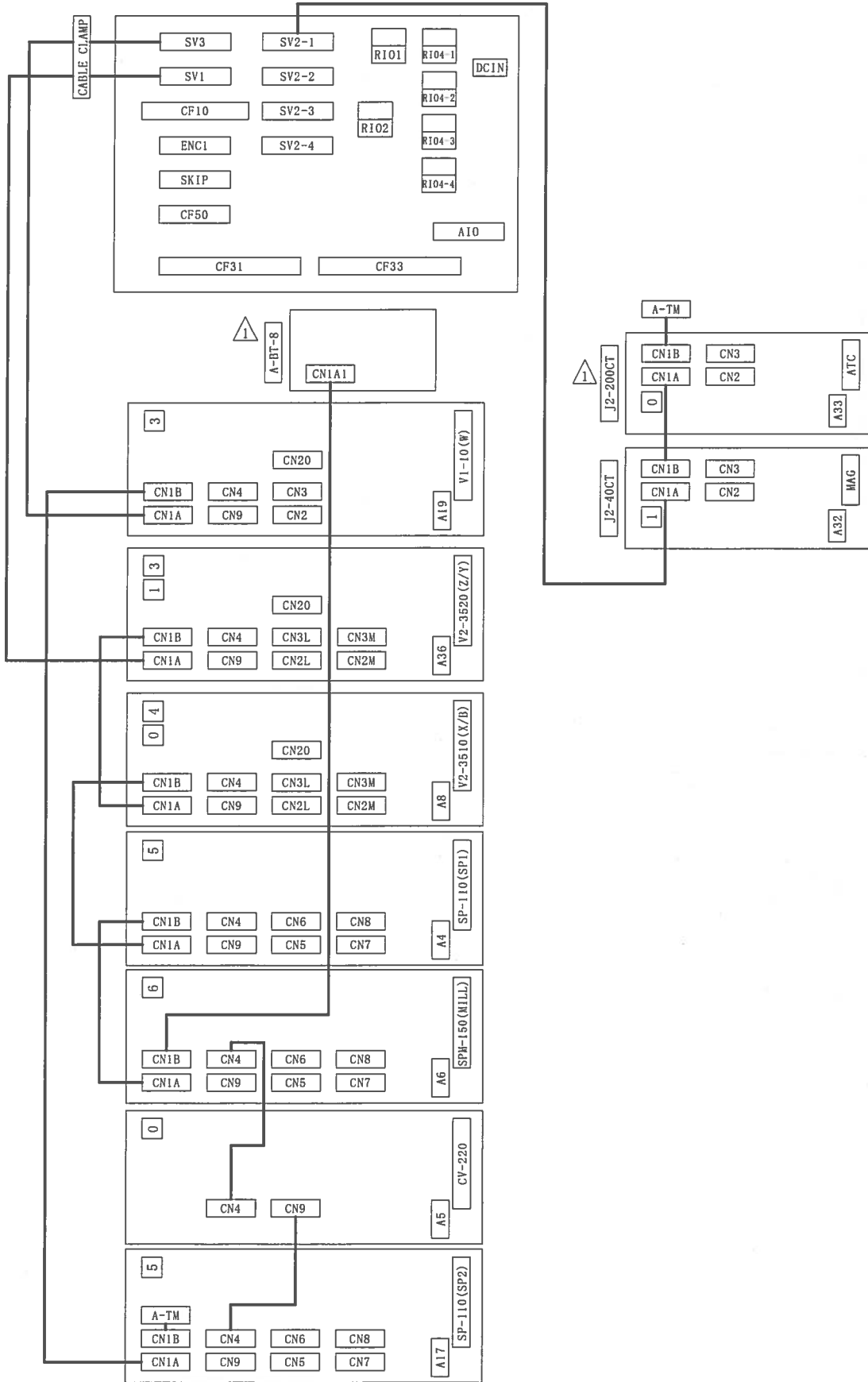


APR'D BY	CHK'D BY	DRWN BY
H. GOTO	H. GOTO	H. I. NAGAKI

TITLE
BUS LINE 1 (INTEGEX 100 III)
DRWN NO. 372070100501

This product is subject to all applicable Japanese Foreign Exchange and Foreign Trade Law
 本品は『外国為替及び外国貿易法』に該当しますので外国に輸出する場合には同法に基づく許可を必要とします。

【INTE-100 III S】

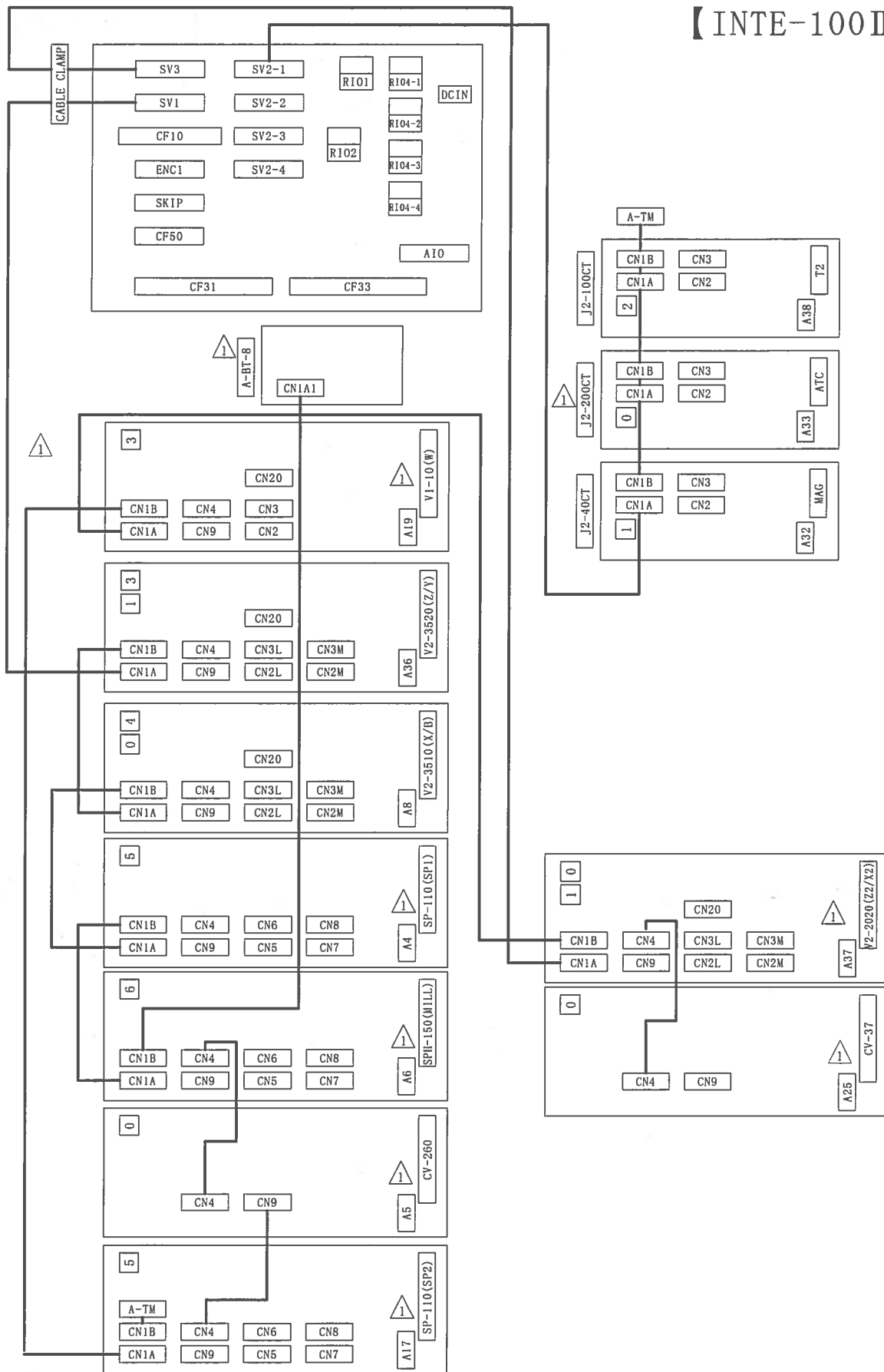


△		APR'D BY	CHK'D BY	DRWN BY	TITLE
△				04/06/28	BUS LINE 3
△				H I NAGAKI	(INTEGRIX 100 III S)
△	CHANGE	'04.05.14.H.N	H. GOTO	H. GOTO	DRWN NO. 372070100521



This product is subject to all applicable Japanese Foreign Exchange and Foreign Trade Law
 本品は『外国為替及び外国貿易法』に該当しますので外国に輸出する場合には同法に基づく許可を必要とします。

【INTE-100III ST】



△	
△	
△	
△	CHANGE '04.05.14.H.N
△	CHANGE '03.09.01.H.I



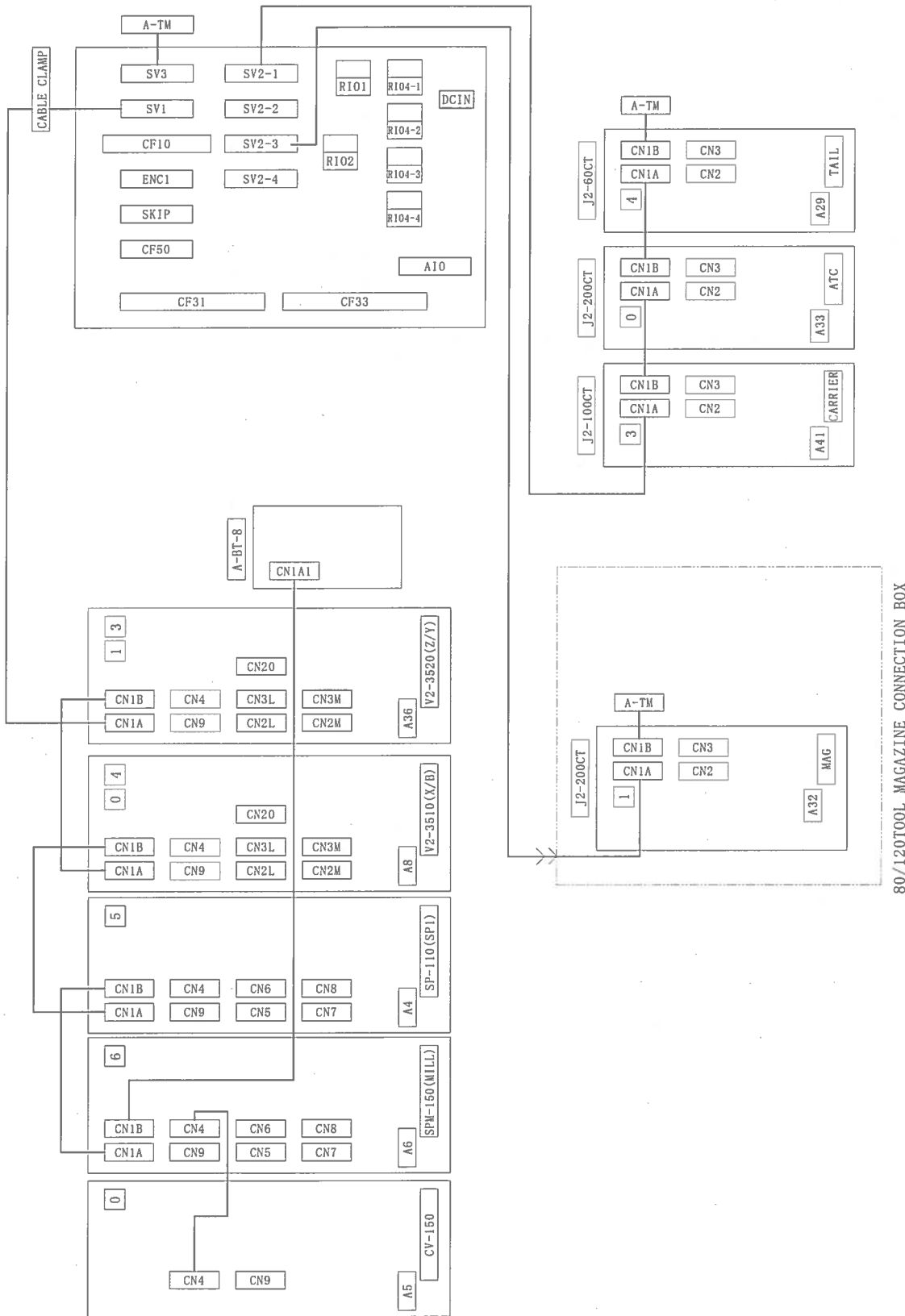
APR'D BY	CHK'D BY	DRWN BY
H. GOTO	H. GOTO	H. I. NAGAKI

TITLE
BUS LINE 4 (INTEGRX 100III ST)
DRWN NO. 372070100532

This product is subject to all applicable Japanese Foreign Exchange and Foreign Trade Law
 本品は『外国為替及び外国貿易法』に該当しますので外国に輸出する場合には同法に基づく許可を必要とします。

【INTE-100 III】

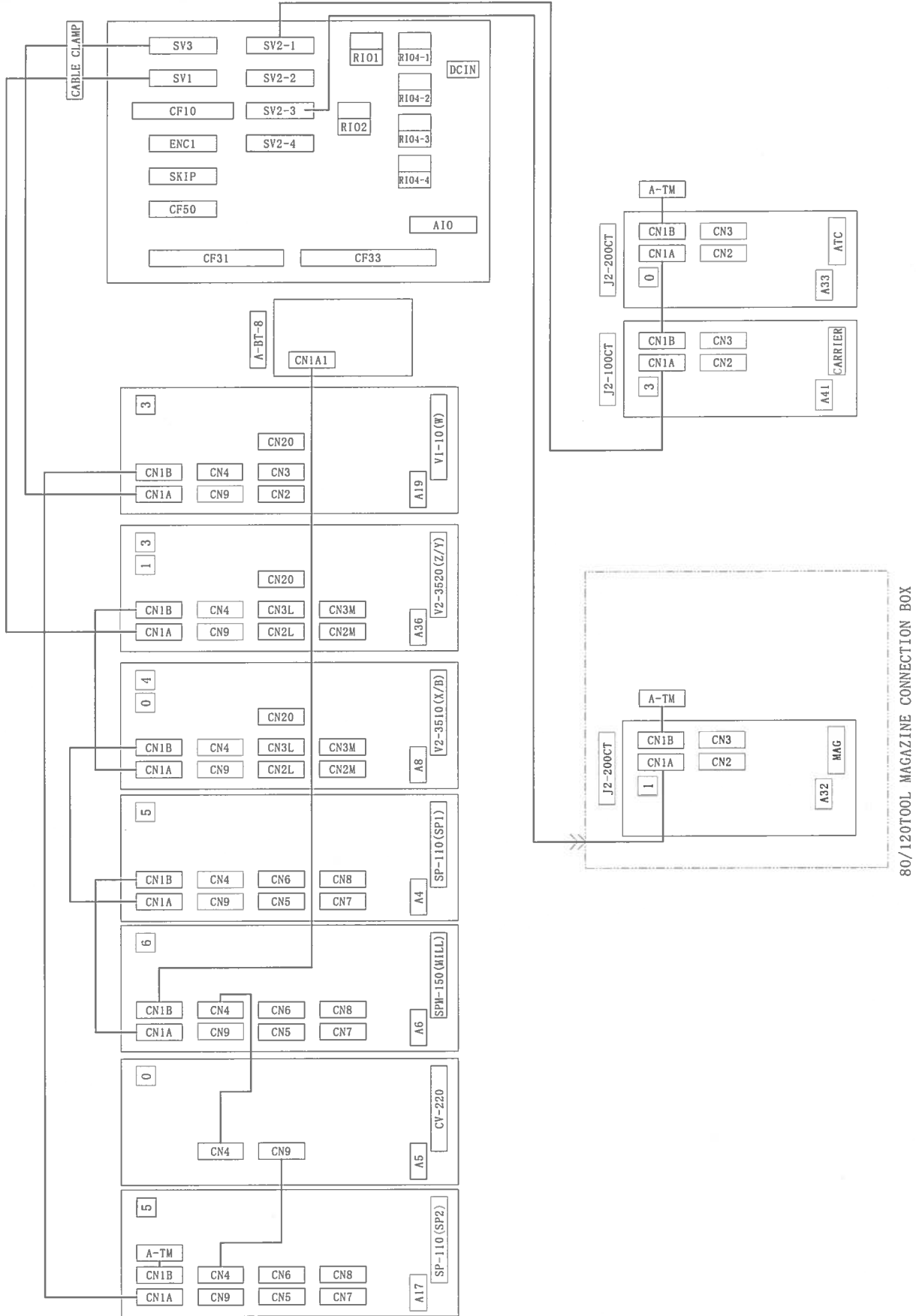
WITH 80/120TOOL MAG.



△		APR'D BY	CHK'D BY	DRWN BY	TITLE
△				04/12/02	BUS LINE 5 (100 III WITH 80/120TOOL MAG)
△		H. GOTO	H. GOTO	H. I. NAGAKI	DRWN NO. 372070100540
△		Mazak YAMAZAKI MAZAK CORPORATION			

This product is subject to all applicable Japanese Foreign Exchange and Foreign Trade Law
 本品は『外国為替及び外国貿易法』に該当しますので外国に輸出する場合には同法に基づく許可を必要とします。

【INTE-100 III S】

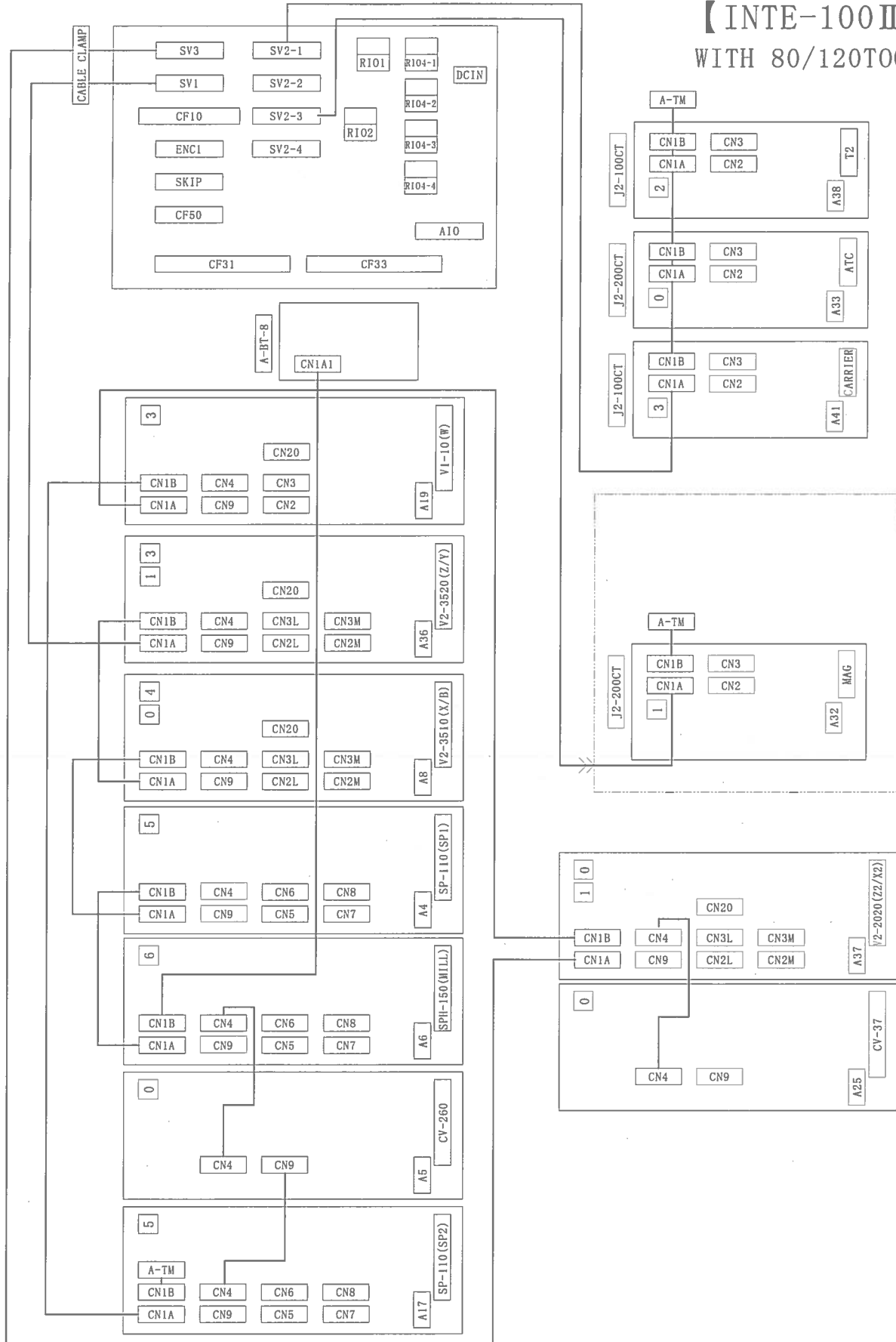


△			APR'D BY	CHK'D BY	DRWN BY	TITLE
△					04/12/02	BUS LINE 7 (100 III S WITH 80/120TOOL MAG)
△			H GOTO	H GOTO	H I NAGAKI	DRWN NO. 372070100560
△						
△						



This product is subject to all applicable Japanese Foreign Exchange and Foreign Trade Law
 本品は『外国為替及び外国貿易法』に該当しますので外国に輸出する場合には同法に基づく許可を必要とします。

**【INTE-100 III ST】
WITH 80/120TOOL MAG.**



80/120TOOL MAGAZINE CONNECTION BOX

△	
△	
△	
△	
△	

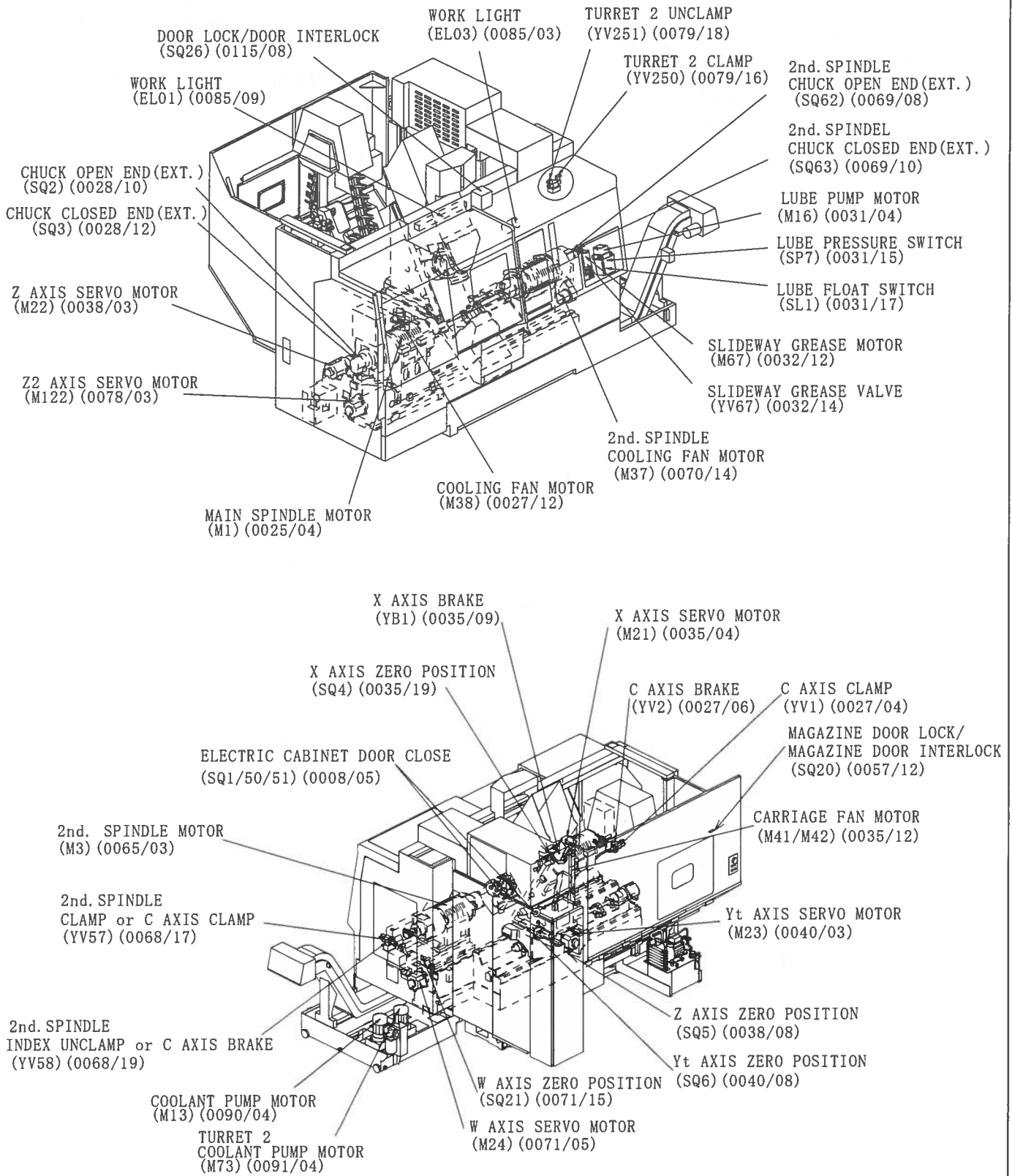


APR'D BY	CHK'D BY	DRWN BY
H. GOTO	H. GOTO	H. INAGAKI

TITLE	04/12/02
BUS LINE 8 (100 III ST WITH 80/120TOOL MAG)	
DRWN NO.	372070100570

This product is subject to all applicable Japanese Foreign Exchange and Foreign Trade Law
 本品は『外国為替及び外国貿易法』に該当しますので外国に輸出する場合には同法に基づく許可を必要とします。

【INTE100-III ST】



△		APR' D BY	CHK' D BY	DRWN BY	TITLE
△				04/02/18	PARTS LAYOUT 4
△				H. I. NAGAKI	TOTAL VI EW
△					DRWN NO. 372070300040

Mazak
YAMAZAKI MAZAK CORPORATION

H. GOTO

H. GOTO

H. I. NAGAKI

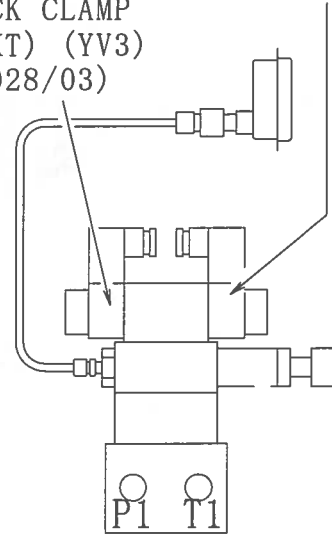
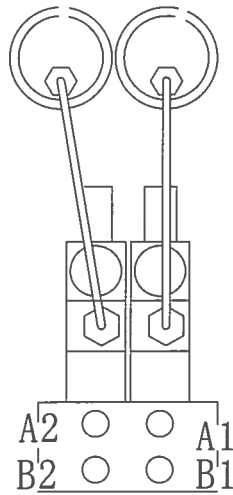
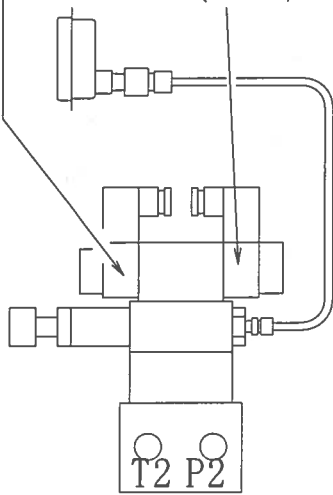
This product is subject to all applicable Japanese Foreign Exchange and Foreign Trade Law
 本品は『外国為替及び外国貿易法』に該当しますので外国に輸出する場合には同法に基づく許可を必要とします。

2nd. SPINDLE
CHUCK CLAMP
(EXT) (YV43)
(0068/08)

2nd. SPINDLE
CHUCK UNCLAMP
(EXT) (YV44)
(0068/10)

MAIN SPINDLE
CHUCK UNCLAMP
(EXT) (YV4)
(0028/05)

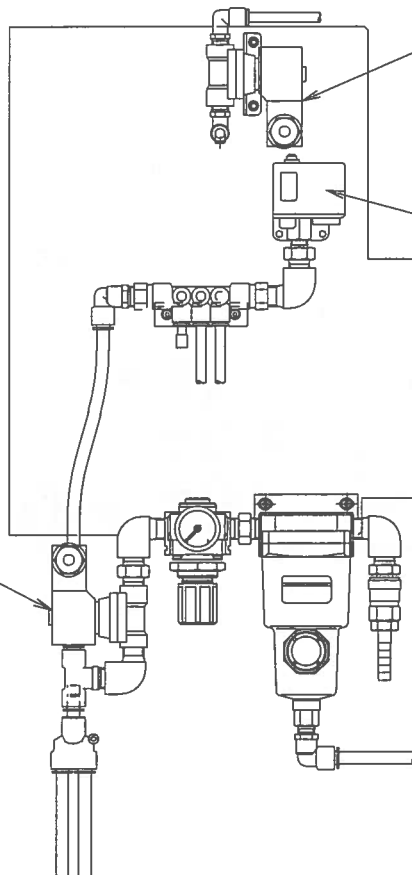
MAIN SPINDLE
CHUCK CLAMP
(EXT) (YV3)
(0028/03)



TOOL EYE AIR BLOW
(YV75) (0034/13)

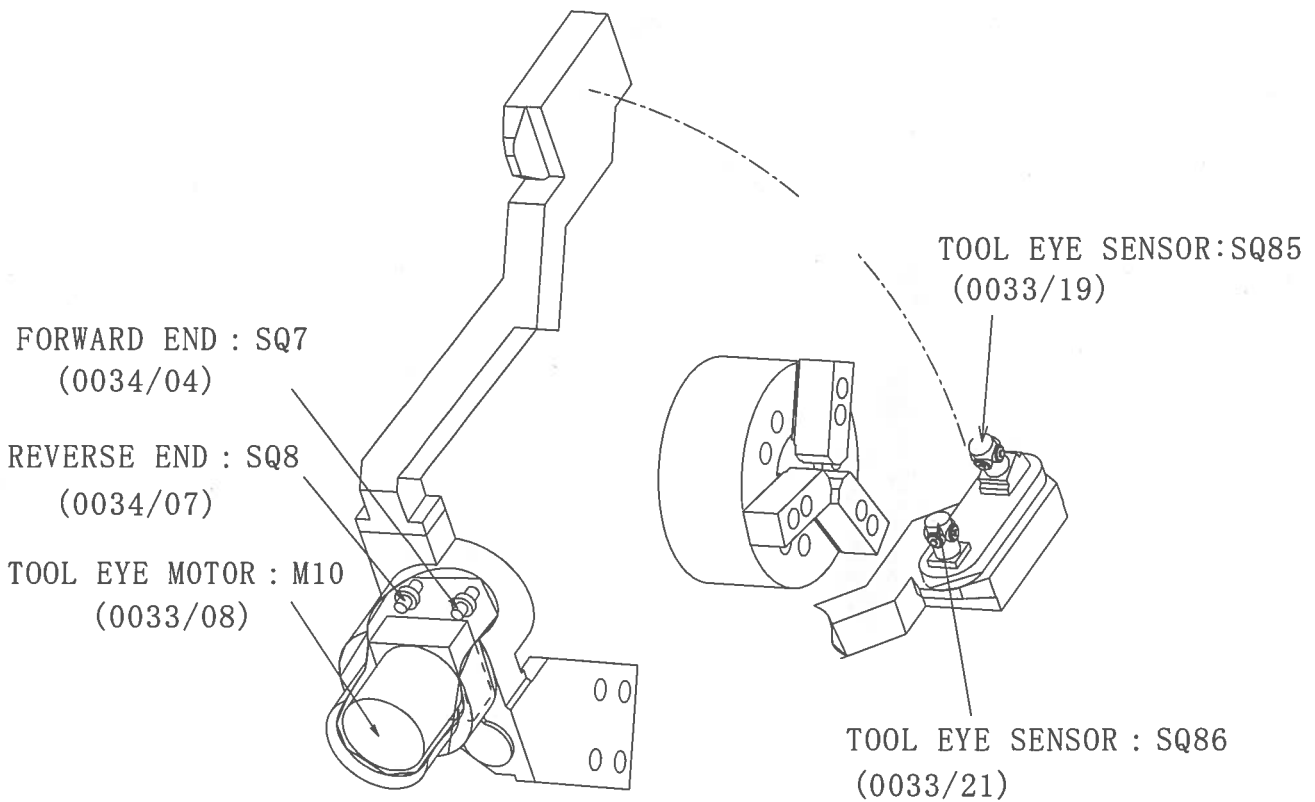
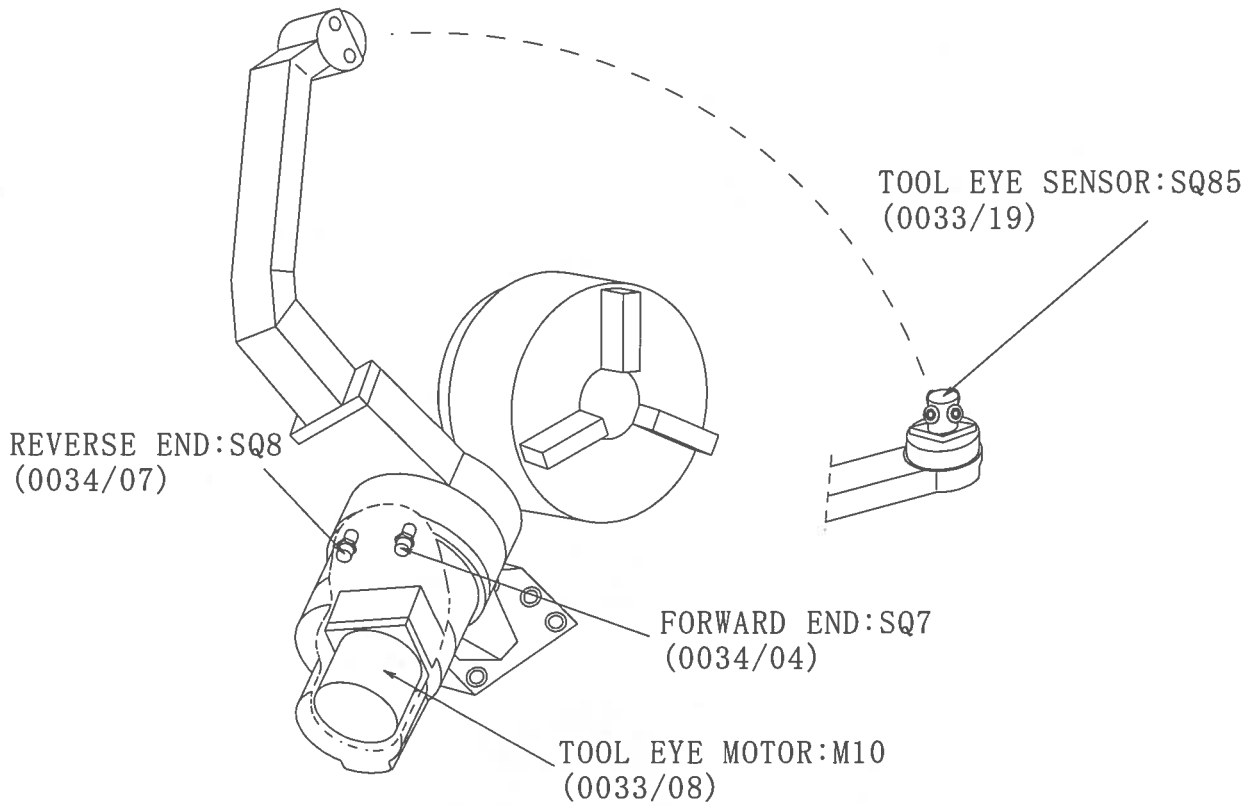
MAIN AIR PRESSURE
(SP30) (0030/03)

MAIN AIR FLOW
(YV84) (0030/07)



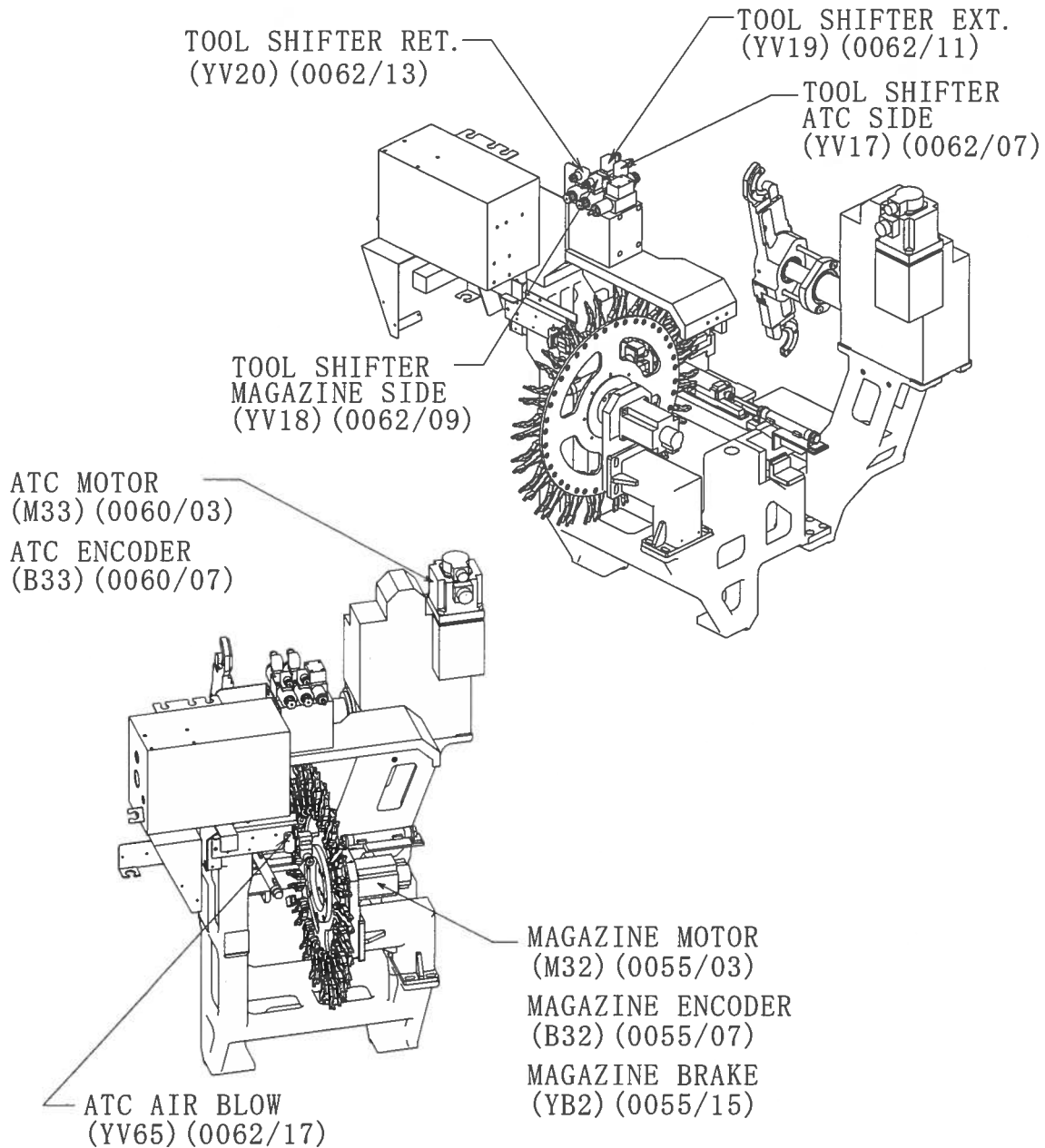
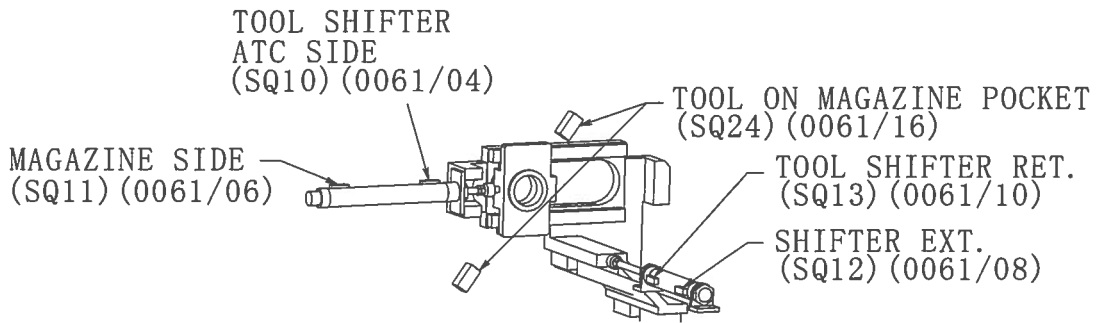
△		 YAMAZAKI MAZAK CORPORATION	APR'D BY	CHK'D BY	DRWN BY	TITLE
△			H. GOTO	H. GOTO	H. I. NAGAKI	PARTS LAYOUT 5 CHUCK & AIR UNIT
△						DRWN NO. 372070300050
△						
△						

This product is subject to all applicable Japanese Foreign Exchange and Foreign Trade Law
 本品は『外国為替及び外国貿易法』に該当しますので外国に輸出する場合には同法に基づく許可を必要とします。



△		APR'D BY	CHK'D BY	DRWN BY	TITLE
△				04/02/18	PARTS LAYOUT 6
△				H. I. NAGAKI	TOOL EYE UNIT
△		H. GOTO	H. GOTO		DRWN NO. 372070300060
△		Mazak YAMAZAKI MAZAK CORPORATION			

This product is subject to all applicable Japanese Foreign Exchange and Foreign Trade Law
 本品は『外国為替及び外国貿易法』に該当しますので外国に輸出する場合には同法に基づく許可を必要とします。



△			APR'D BY	CHK'D BY	DRWN BY	TITLE
△					04/06/28	PARTS LAYOUT 7
△					H. I. NAGAKI	ATC & MAGAZINE (20)
△			H. GOTO	H. GOTO		DRWN NO. 372070300070

This product is subject to all applicable Japanese Foreign Exchange and Foreign Trade Law
 本品は『外国為替及び外国貿易法』に該当しますので外国に輸出する場合には同法に基づく許可を必要とします。

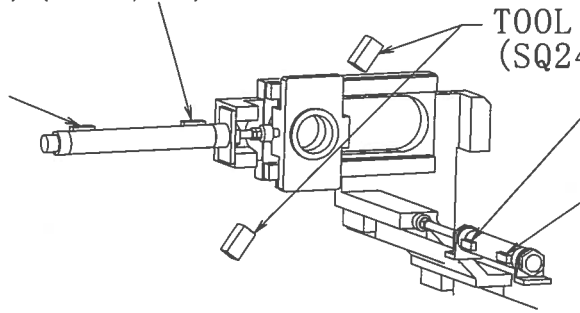
TOOL SHIFTER
ATC SIDE
(SQ10) (0061/04)

TOOL SHIFTER
MAGAZINE SIDE
(SQ11) (0061/06)

TOOL ON MAGAZINE POCKET
(SQ24) (0061/16)

TOOL SHIFTER RET.
(SQ13) (0061/10)

TOOL SHIFTER EXT.
(SQ12) (0061/08)



TOOL SHIFTER EXT.
(YV19) (0062/11)

TOOL SHIFTER
ATC SIDE
(YV17) (0062/07)

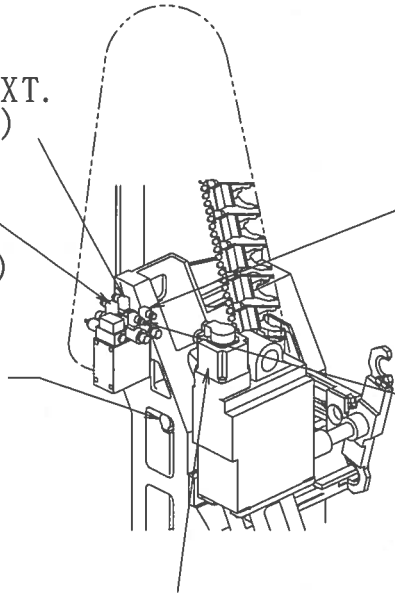
TOOL SHIFTER RET.
(YV20) (0062/13)

MAGAZINE MOTOR
(M32) (0055/03)

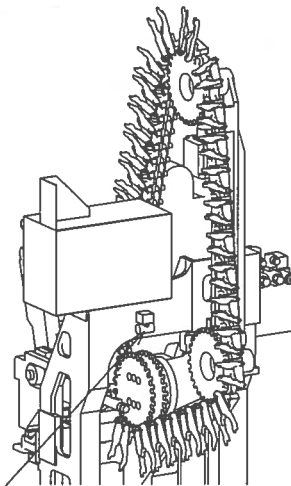
MAGAZINE BRAKE
(YB2) (0055/15)

TOOL SHIFTER
MAGAZINE SIDE
(YV18) (0062/09)

ATC MOTOR
(M33) (0060/03)

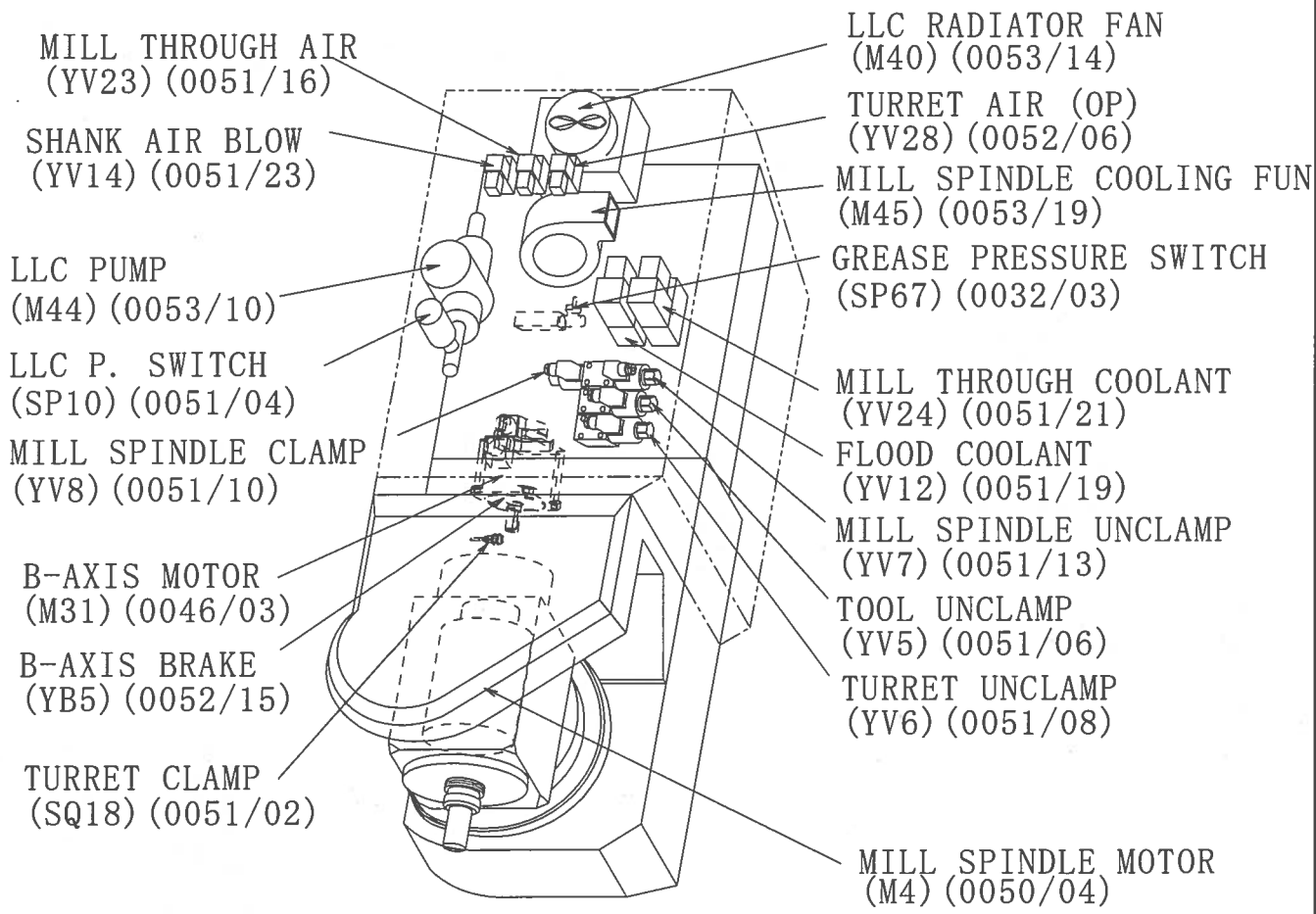



ATC AIR BLOW
(YV65) (0062/17)



△		 YAMAZAKI MAZAK CORPORATION	APR'D BY	CHK'D BY	DRWN BY	TITLE
△					04/02/18	PARTS LAYOUT 8 ATC & MAGAZINE (40)
△			H. GOTO	H. GOTO	H. I. NAGAKI	DRWN NO.
△						372070300080
△						

This product is subject to all applicable Japanese Foreign Exchange and Foreign Trade Law
 本品は『外国為替及び外国貿易法』に該当しますので外国に輸出する場合には同法に基づく許可を必要とします。



△		 YAMAZAKI MAZAK CORPORATION	APR'D BY	CHK'D BY	DRWN BY	TITLE
△					04/02/18	PARTS LAYOUT 9 TURRET UNIT
△			H. GOTO	H. GOTO	H. I. NAGAKI	DRWN NO.
△						372070300090

This product is subject to all applicable Japanese Foreign Exchange and Foreign Trade Law
 本品は『外国為替及び外国貿易法』に該当しますので外国に輸出する場合には同法に基づく許可を必要とします。

X2 BALL SCREW ENCODER
(B126) (0077/03)

TURRET 2 CLUMP
(SQ39) (0079/20)

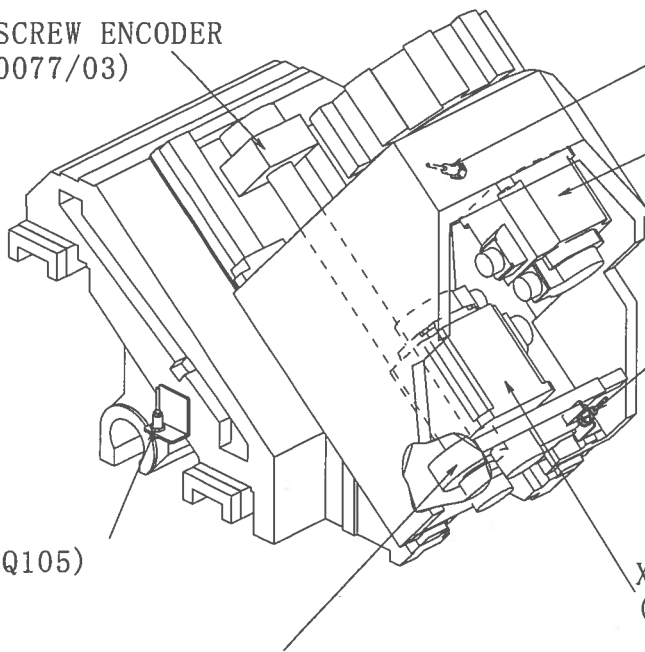
TURRET 2 MOTOR
(M123) (0079/03)

X2 AXIS ZERO POSITION
(SQ104) (0075/17)

Z2 AXIS ZERO
POSITION (SQ105)
(0078/08)

X2 AXIS SERVO MOTOR
(M121) (0075/03)

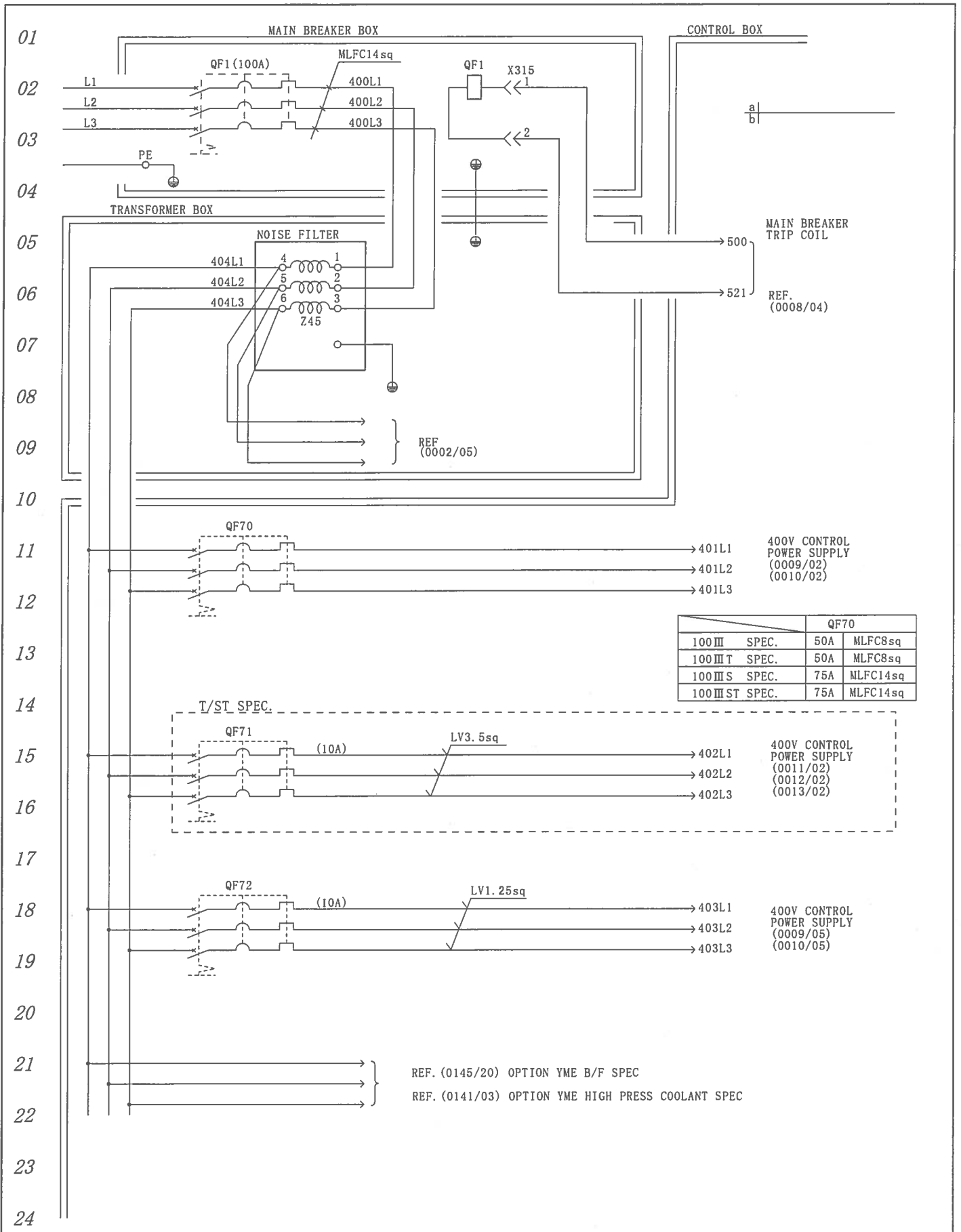
X2 AXIS BRAKE
(YB11) (0075/09)



△		APR'D BY	CHK'D BY	DRWN BY	TITLE
△				04/02/18	PARTS LAYOUT 10
△		H. GOTO	H. GOTO	H. I. NAGAKI	2nd. TURRET UNIT
△					DRWN NO. 372070300100

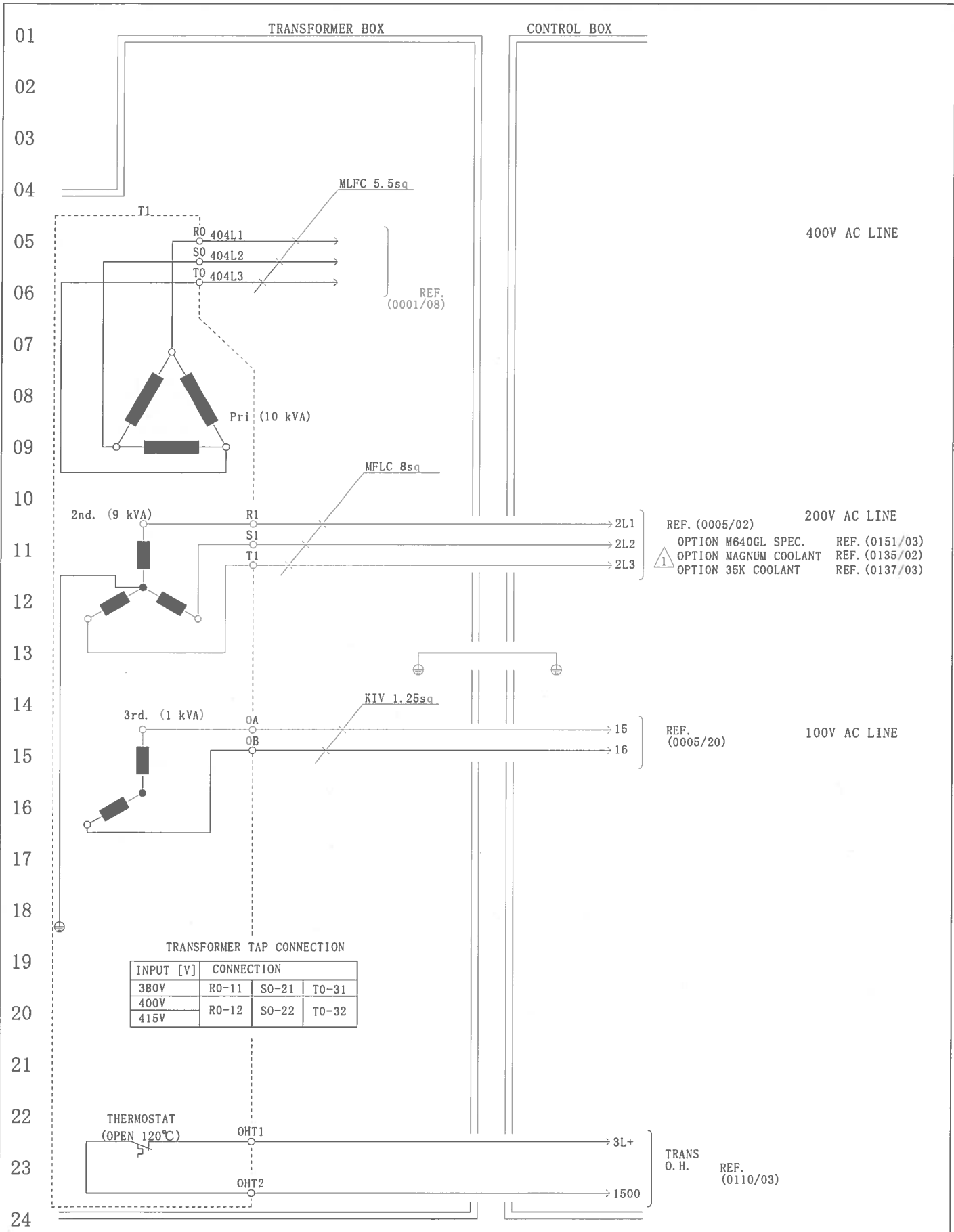
Mazak
YAMAZAKI MAZAK CORPORATION

This product is subject to all applicable Japanese Foreign Exchange and Foreign Trade Law
 本品は『外国為替及び外国貿易法』に該当しますので外国に輸出する場合には同法に基づく許可を必要とします。



△		APR' D BY	CHR' D BY	DRWN BY	TITLE
△				03/07/08	LI NE POWER SUPPLY
△		H. GOTO	H. GOTO	H. I. NAGAKI	DRWN NO. 372070400010
△		Mazak YAMAZAKI MAZAK CORPORATION			

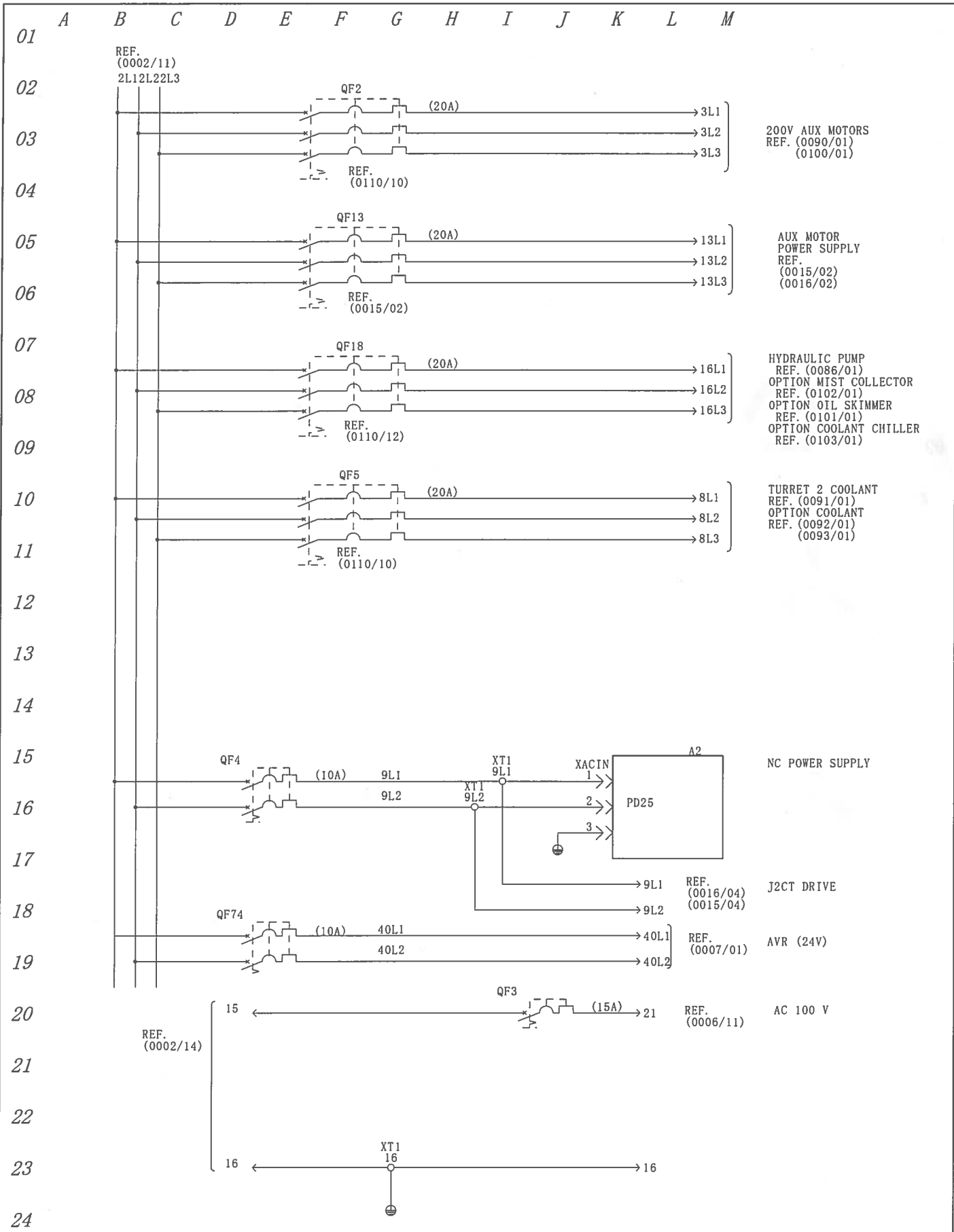
This product is subject to all applicable Japanese Foreign Exchange and Foreign Trade Law
 本品は『外国為替及び外国貿易法』に該当しますので外国に輸出する場合には同法に基づく許可を必要とします。



△			APR'D BY	CHK'D BY	DRWN BY	TITLE
△					04/12/02	LINE POWER SUPPLY
△					H I NAGAKI	AC200V LINE
△	ADD OPTION	'04.10.30. H. N.	H GOTO	H GOTO		DRWN NO. 372070400021

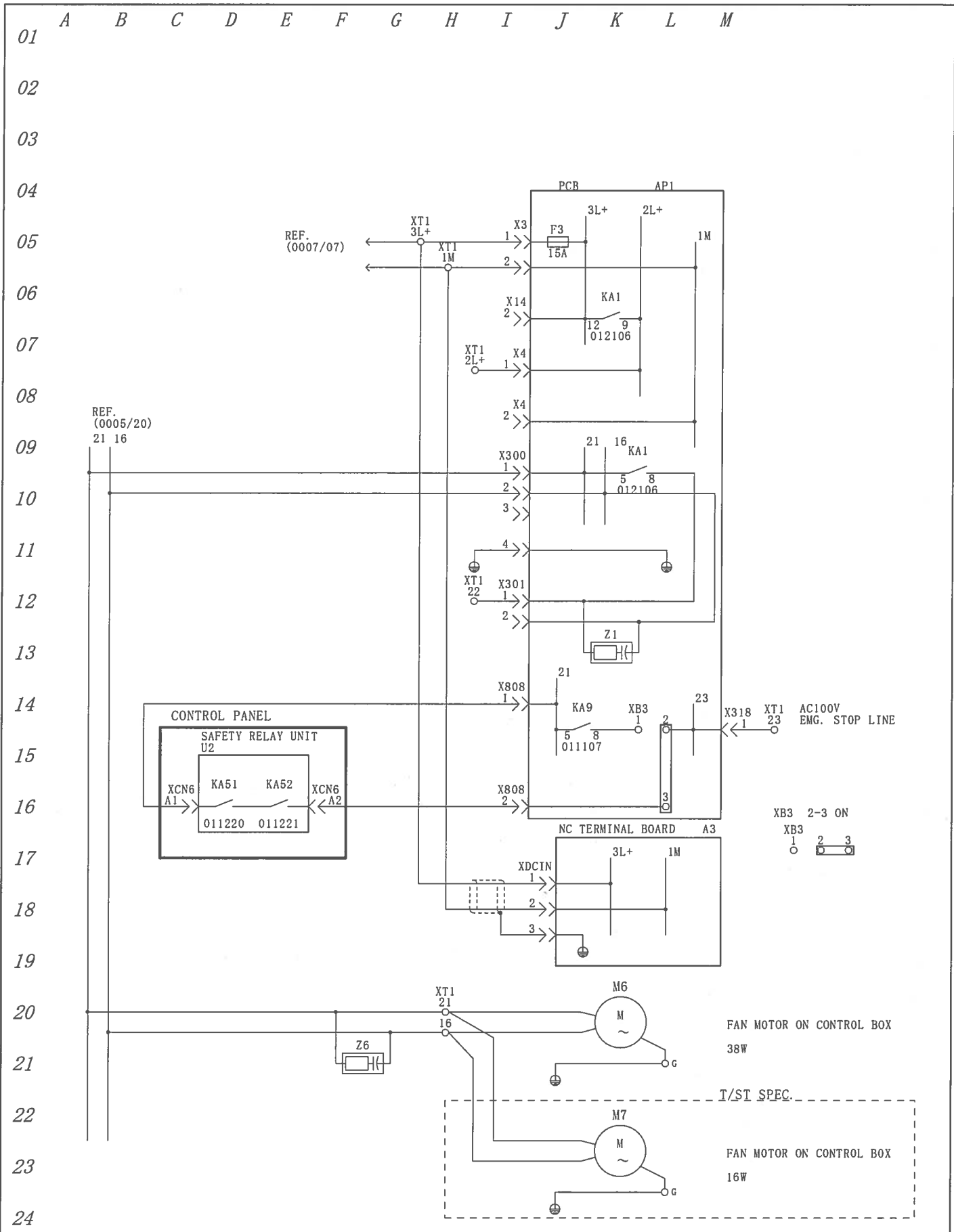


This product is subject to all applicable Japanese Foreign Exchange and Foreign Trade Law
 本品は『外国為替及び外国貿易法』に該当しますので外国に輸出する場合には同法に基づく許可を必要とします。



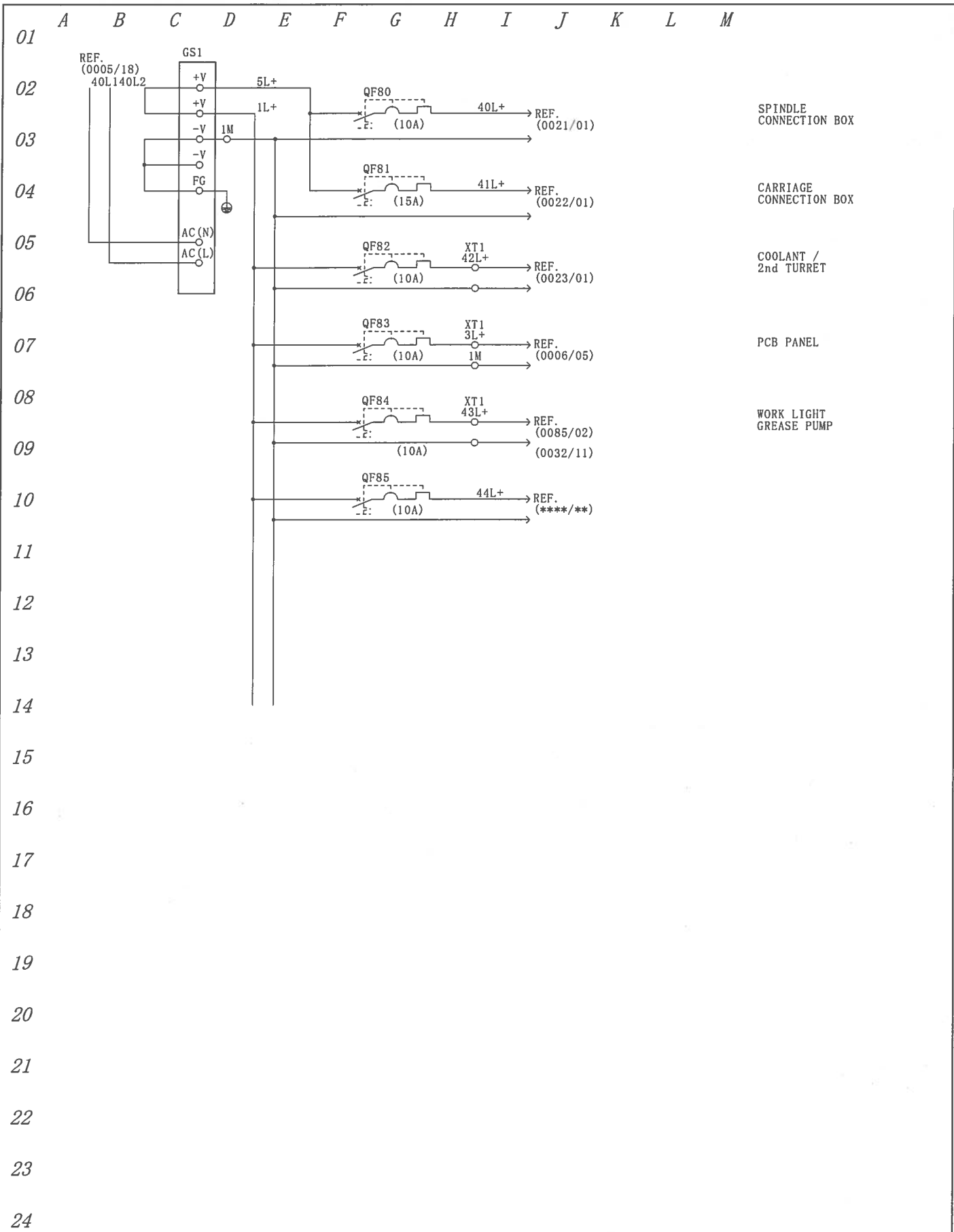
△			APR'D BY	CHK'D BY	DRWN BY	TITLE	
△					03/07/08	200V AUX MOTOR / AC 100V/NC POWER SUPPLY	
△			H. GOTO	H. GOTO	H. I. NAGAKI		
△						DRWN NO.	372070400050

This product is subject to all applicable Japanese Foreign Exchange and Foreign Trade Law
 本品は『外国為替及び外国貿易法』に該当しますので外国に輸出する場合には同法に基づく許可を必要とします。



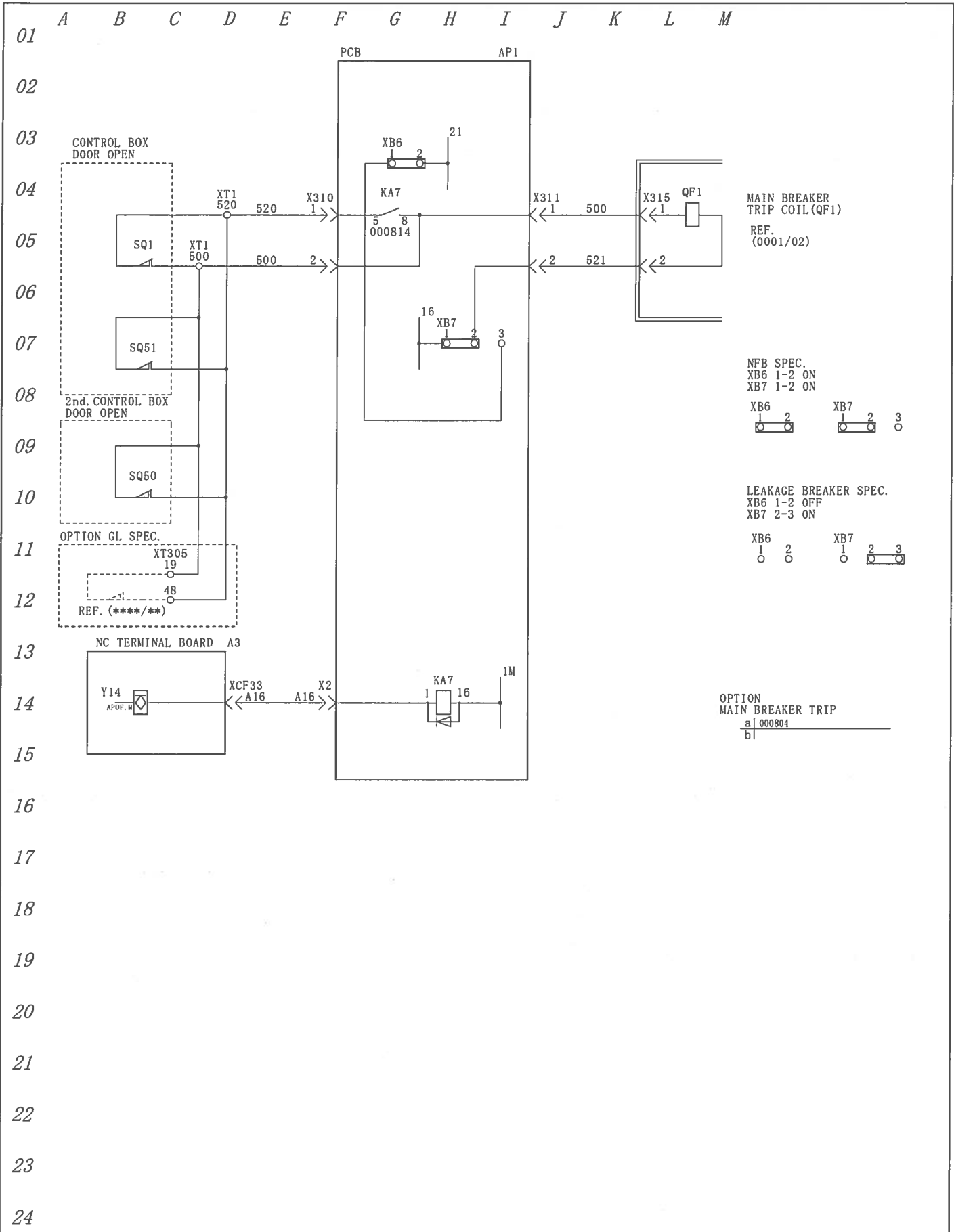
△		 YAMAZAKI MAZAK CORPORATION	APR'D BY	CHK'D BY	DRWN BY	TITLE
△			H. GOTO	H. GOTO	H. I. NAGAKI	DC 24V
△						DRWN NO. 372070400060
△						
△						

This product is subject to all applicable Japanese Foreign Exchange and Foreign Trade Law
 本品は『外国為替及び外国貿易法』に該当しますので外国に輸出する場合には同法に基づく許可を必要とします。



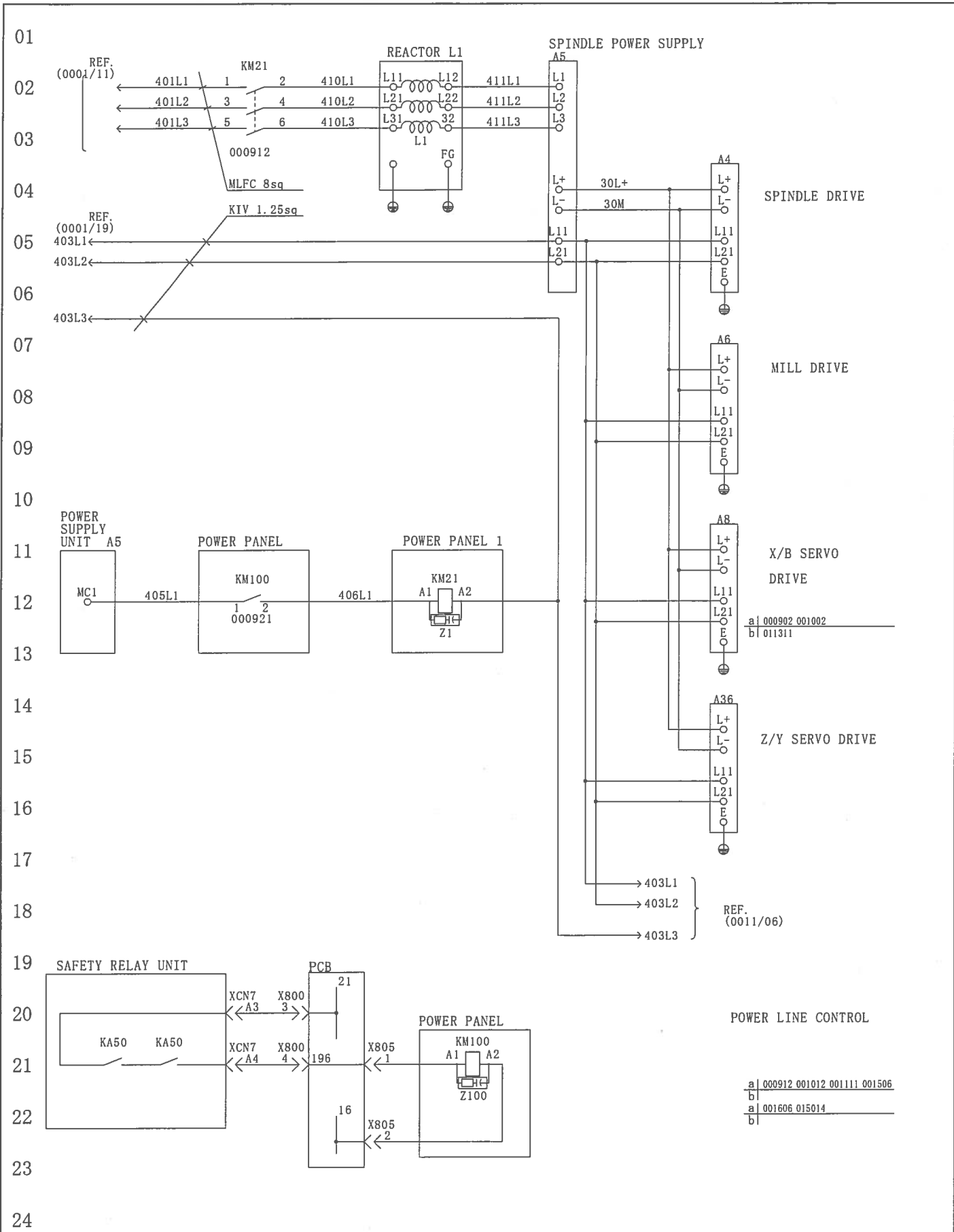
△		 YAMAZAKI MAZAK CORPORATION	APR' D BY	CHK' D BY	DRWN BY	TITLE
△					03/07/08	DC 24V LINE
△			H. GOTO	H. GOTO	H. I. NAGAKI	DRWN NO. 372070400070
△						
△						

This product is subject to all applicable Japanese Foreign Exchange and Foreign Trade Law
 本品は『外国為替及び外国貿易法』に該当しますので外国に輸出する場合には同法に基づく許可を必要とします。



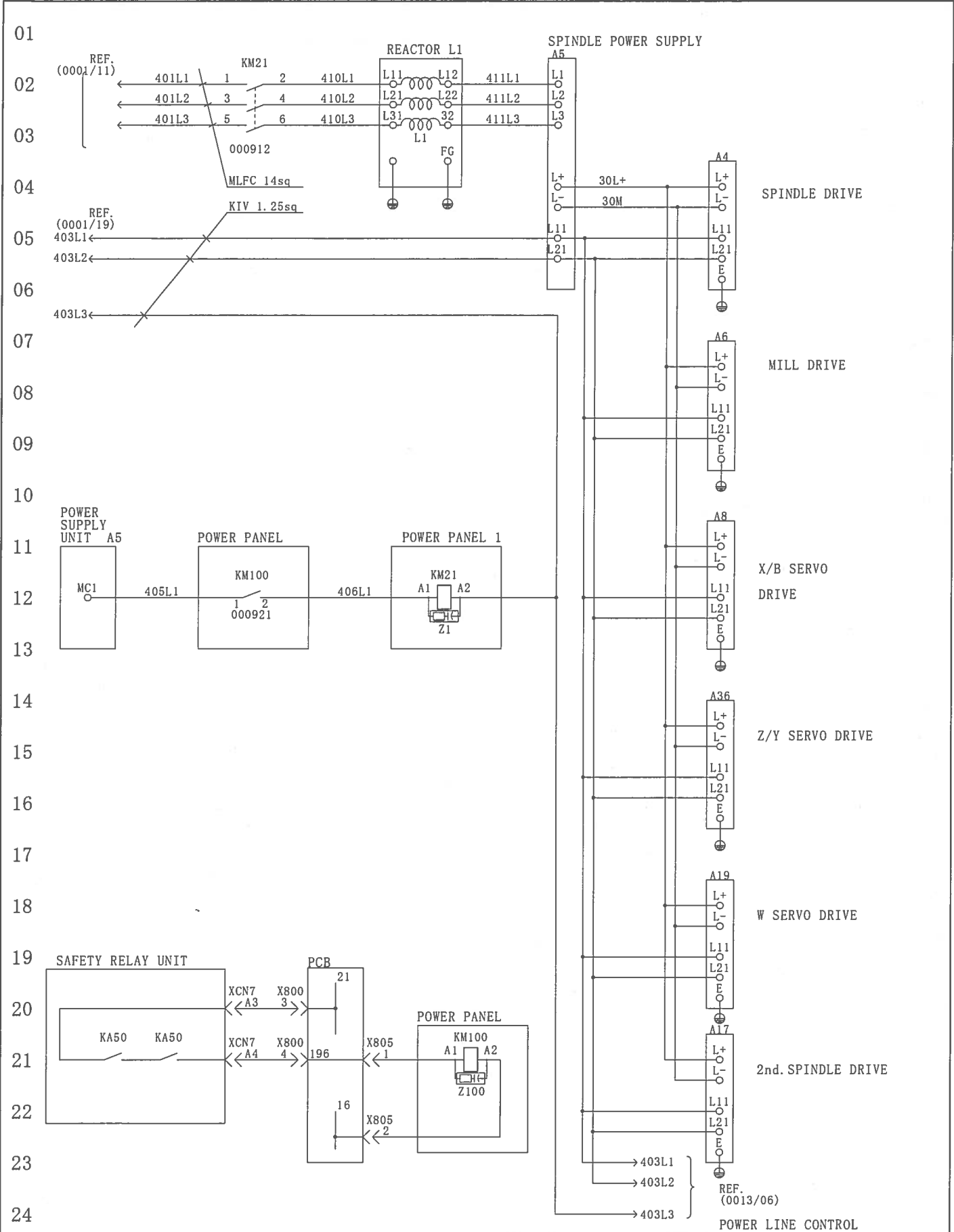
△		APR'D BY	CHK'D BY	DRWN BY	TITLE
△				03/07/08	MAIN BREAKER SHUNT TRIP
△		H. GOTO	H. GOTO	H. I. NAGAKI	DRWN NO. 372070400080
△		Mazak YAMAZAKI MAZAK CORPORATION			

This product is subject to all applicable Japanese Foreign Exchange and Foreign Trade Law
 本品は『外国為替及び外国貿易法』に該当しますので外国に輸出する場合には同法に基づく許可を必要とします。



△		APR'D BY	CHK'D BY	DRWN BY	TITLE
△				03/07/08	POWER SUPPLY UNIT 1 (STD/T SPEC.)
△		H GOTO	H GOTO	H I NAGAKI	DRWN NO. 372070400090
△		Mazak YAMAZAKI MAZAK CORPORATION			

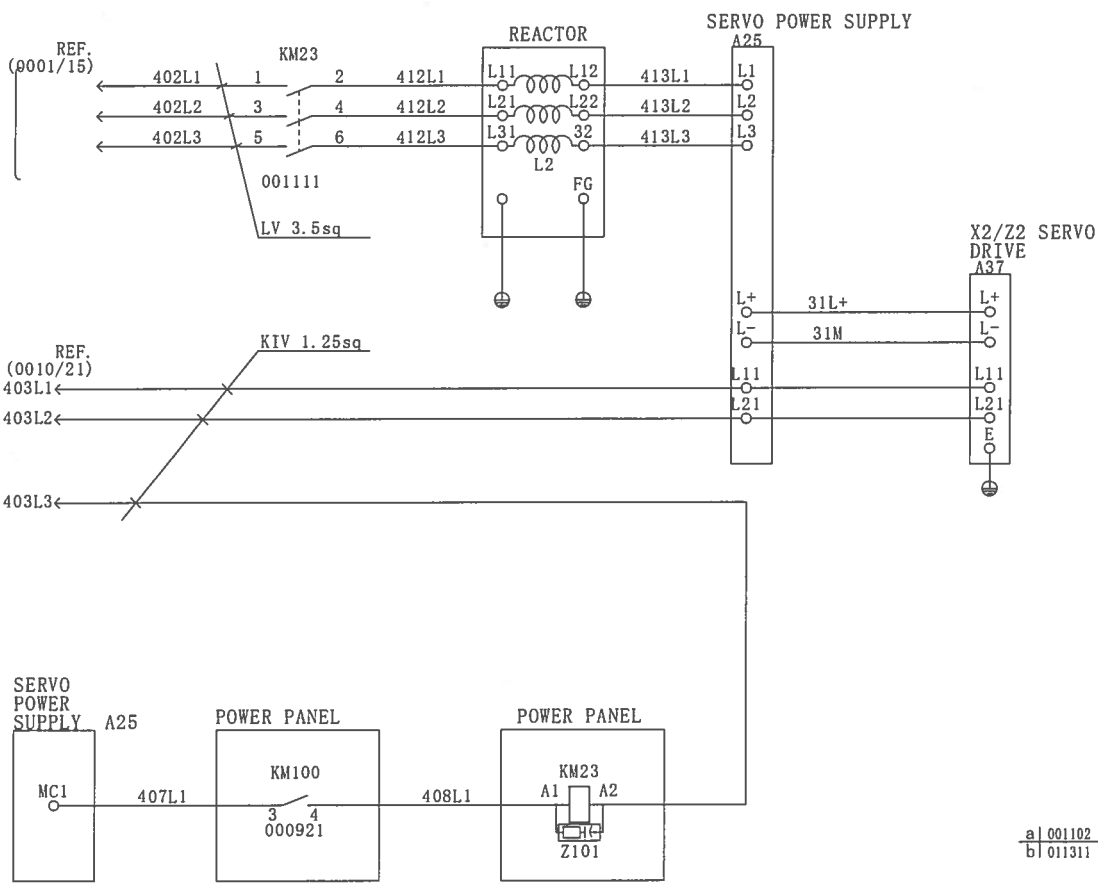
This product is subject to all applicable Japanese Foreign Exchange and Foreign Trade Law
 本品は『外国為替及び外国貿易法』に該当しますので外国に輸出する場合には同法に基づく許可を必要とします。



△		APR'D BY	CHK'D BY	DRWN BY	TITLE
△				03/07/08	POWER SUPPLY UNIT 1 (S/ST SPEC.)
△		H. GOTO	H. GOTO	H. I. NAGAKI	DRWN NO. 372070400100
△		Mazak YAMAZAKI MAZAK CORPORATION			

This product is subject to all applicable Japanese Foreign Exchange and Foreign Trade Law
 本品は『外国為替及び外国貿易法』に該当しますので外国に輸出する場合には同法に基づく許可を必要とします。

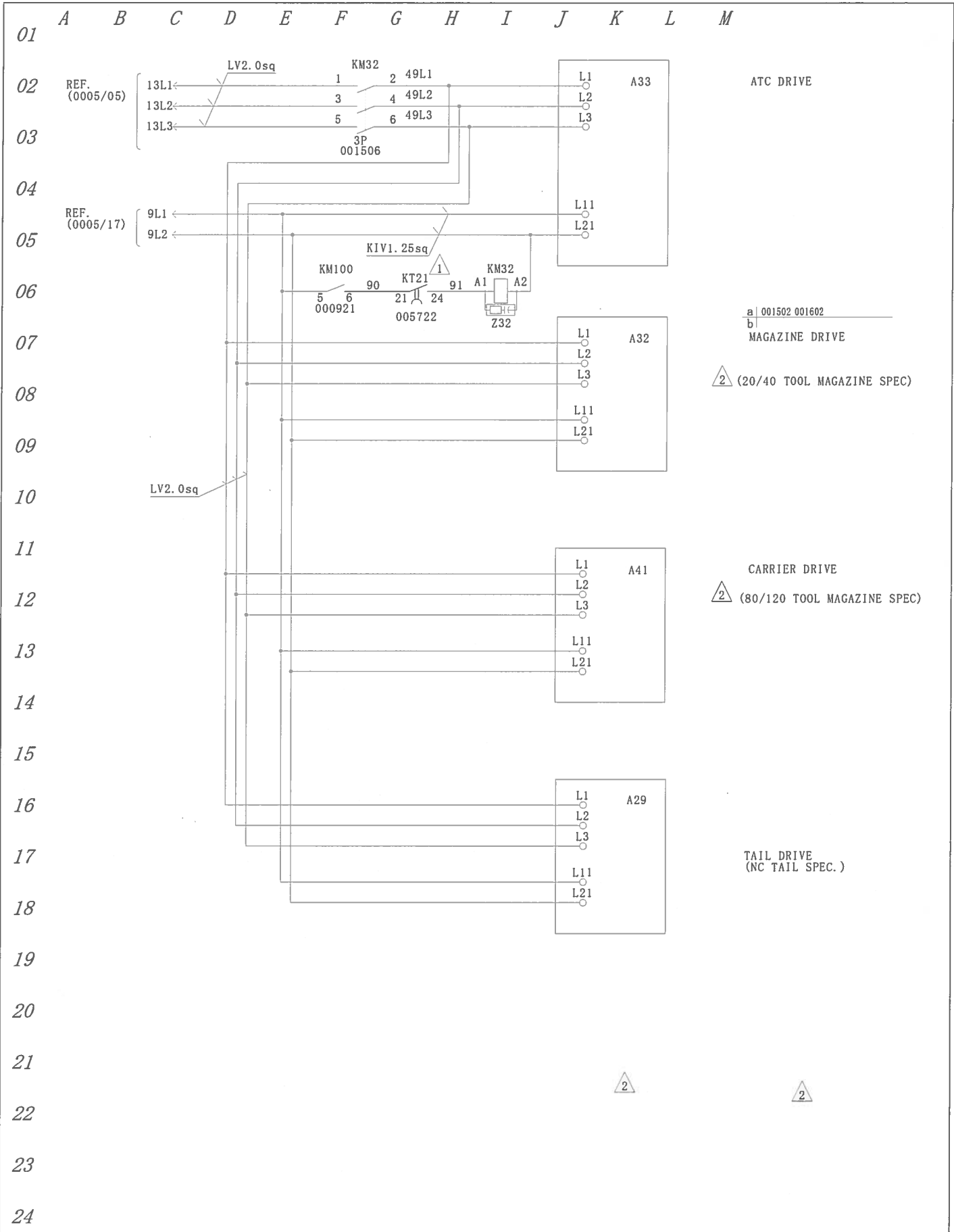
01
02
03
04
05
06
07
08
09
10
11
12
13
14
15
16
17
18
19
20
21
22
23
24



a) 001102
b) 011311

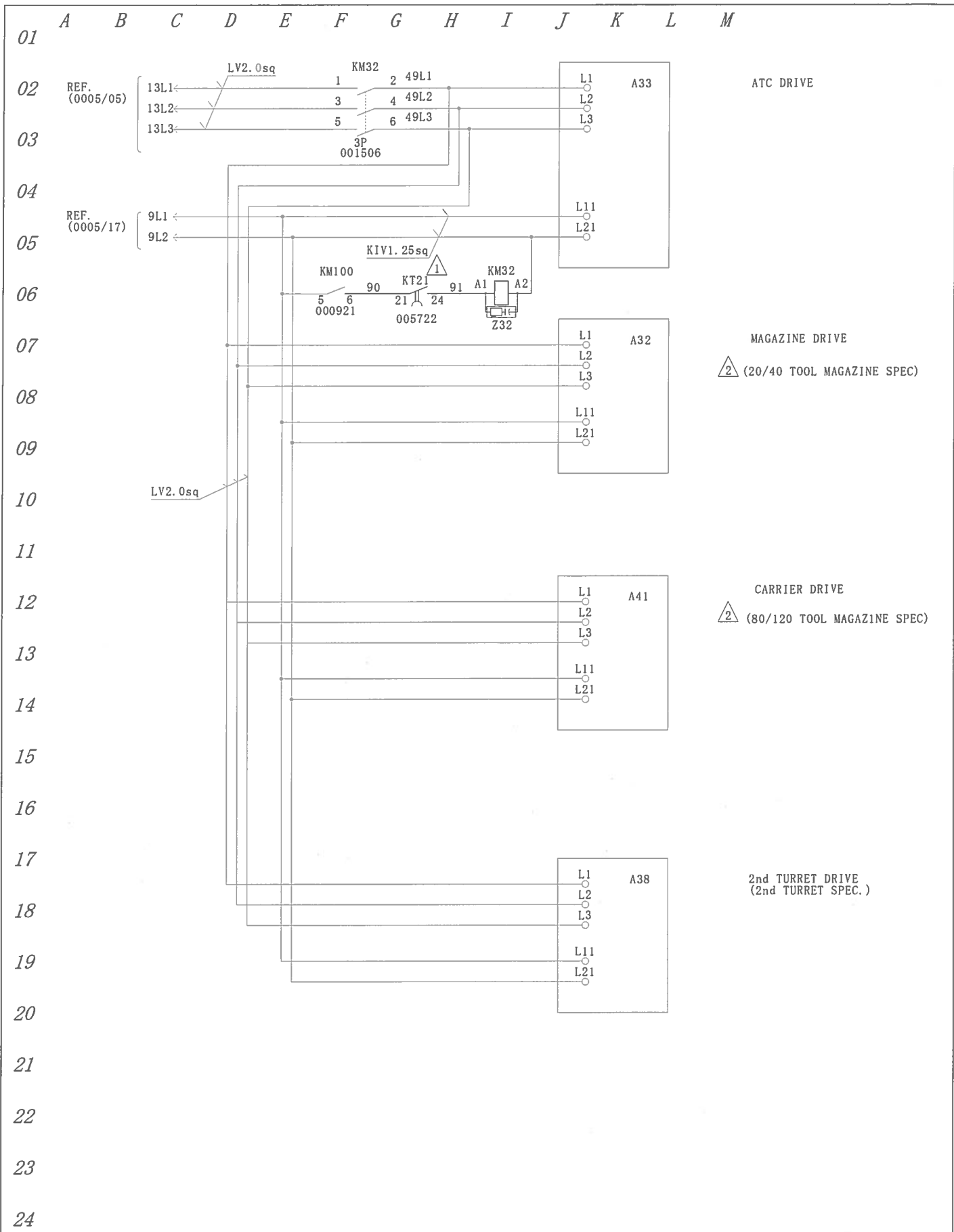
△		APR'D BY	CHK'D BY	DRWN BY	TITLE
△				03/07/08	POWER SUPPLY UNIT 2 (T/ST SPEC.)
△		H. GOTO	H. GOTO	H. I. NAGAKI	DRWN NO. 372070400110
△		 YAMAZAKI MAZAK CORPORATION			

This product is subject to all applicable Japanese Foreign Exchange and Foreign Trade Law
 本品は『外国為替及び外国貿易法』に該当しますので外国に輸出する場合には同法に基づく許可を必要とします。



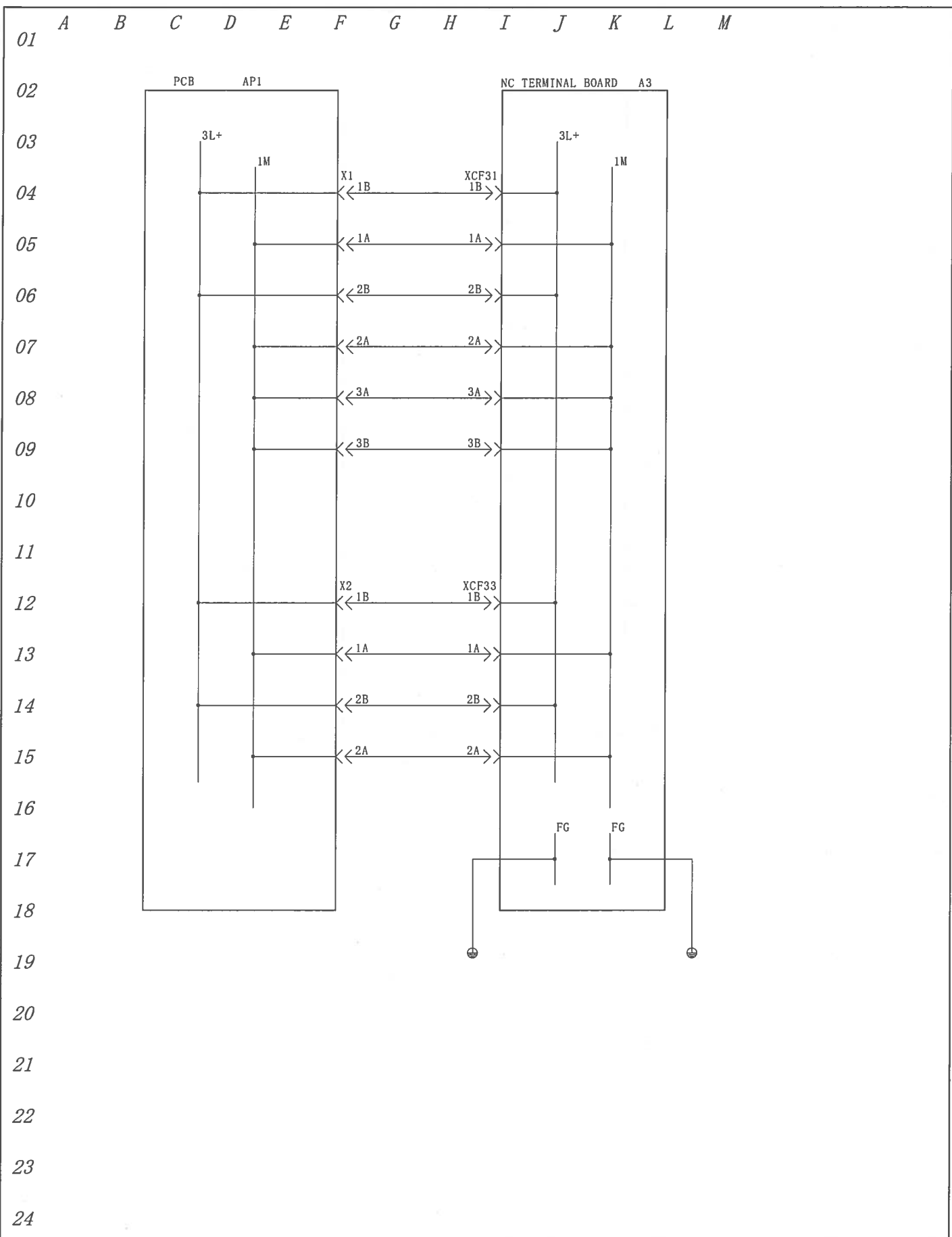
△		 YAMAZAKI MAZAK CORPORATION	APR'D BY	CHK'D BY	DRWN BY	TITLE
△					04/12/02	AUX MOTOR DRIVE (STD SPEC.)
△	Add. 80 TOOL SPEC. DEL T2 '04.11.15 H.N		H GOTO	H GOTO	H I NAGAKI	DRWN NO. 372070400152
△	Add. POWER CUT CURCUIT '04.10.30 H.N					

This product is subject to all applicable Japanese Foreign Exchange and Foreign Trade Law
 本品は『外国為替及び外国貿易法』に該当しますので外国に輸出する場合には同法に基づく許可を必要とします。



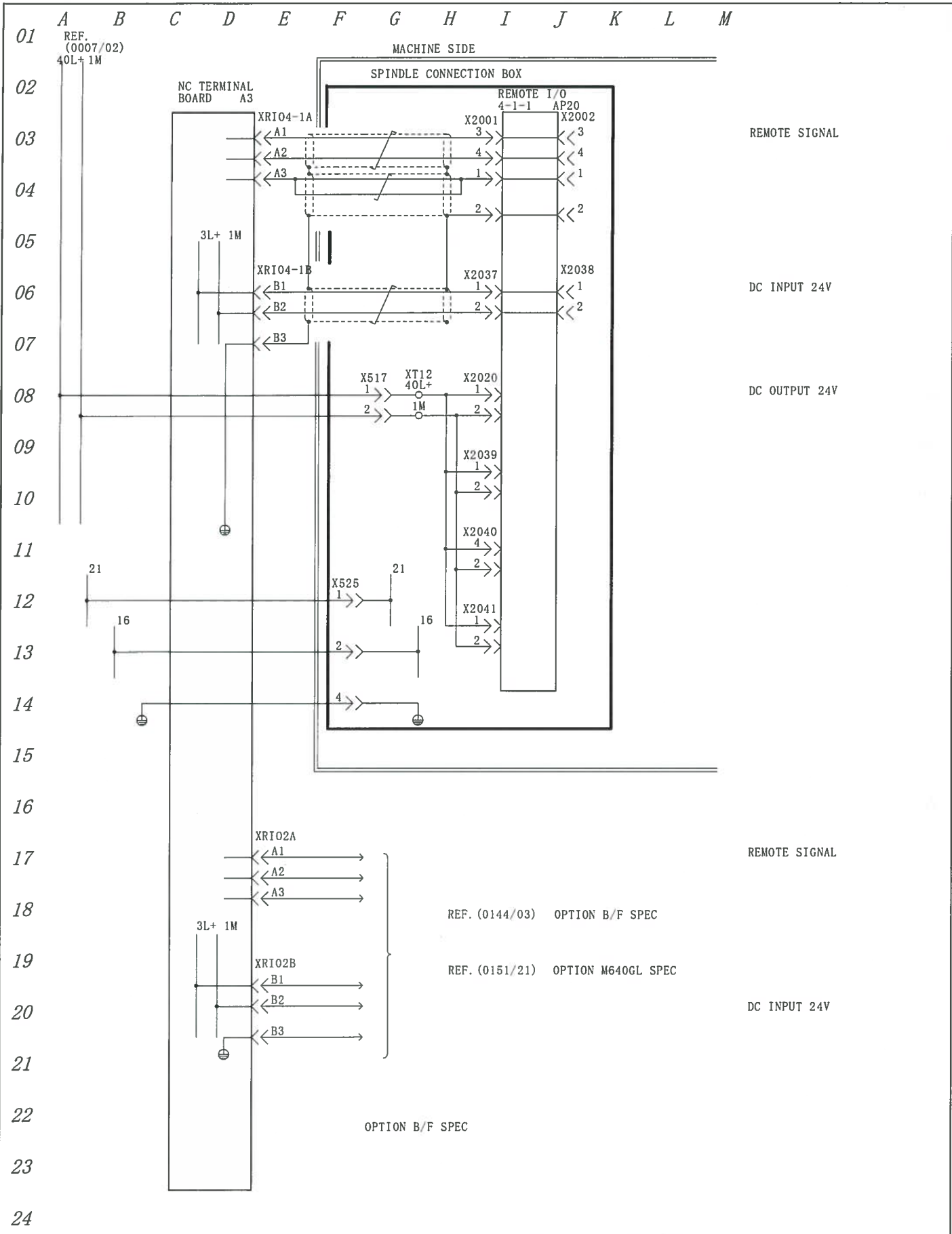
△		 YAMAZAKI MAZAK CORPORATION	APR'D BY	CHK'D BY	DRWN BY	TITLE
△					04/12/02	AUX MOTOR DRIVE (S/ST SPEC.)
△	Add. 80 TOOL SPEC. DEL T2 '04.11.15 H.N		H. GOTO	H. GOTO	H. I. NAGAKI	DRWN NO. 372070400162
△	Add. POWER CUT CURCUIT '04.10.30 H.N					

This product is subject to all applicable Japanese Foreign Exchange and Foreign Trade Law
 本品は『外国為替及び外国貿易法』に該当しますので外国に輸出する場合には同法に基づく許可を必要とします。



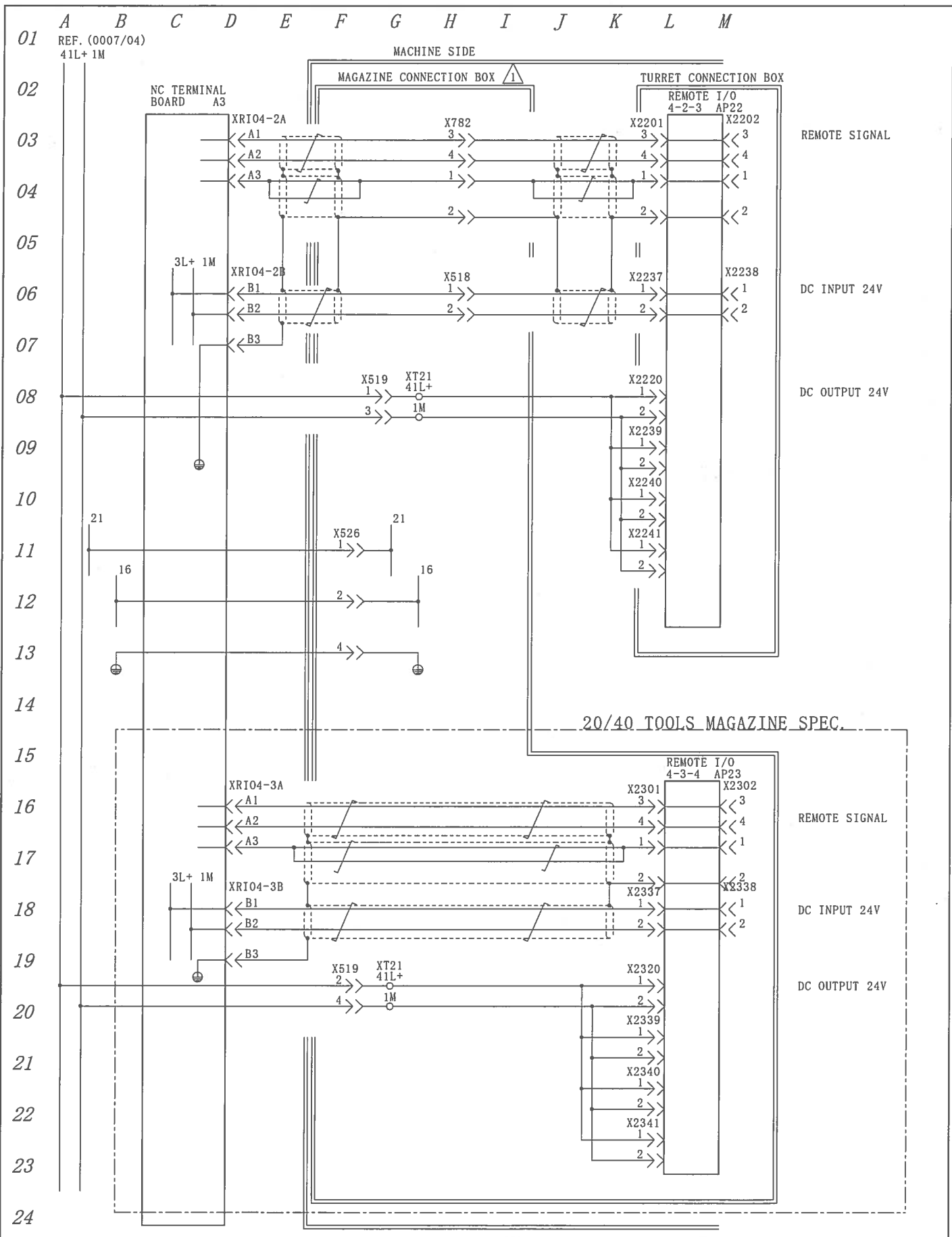
△		APR' D BY	CHK' D BY	DRWN BY	TITLE
△				03/07/08	DC24V SUPPLY TO
△					NC DI / O
△		H. GOTO	H. GOTO	H. I. NAGAKI	DRWN NO. 372070400200
△					

This product is subject to all applicable Japanese Foreign Exchange and Foreign Trade Law
 本品は『外国為替及び外国貿易法』に該当しますので外国に輸出する場合には同法に基づく許可を必要とします。



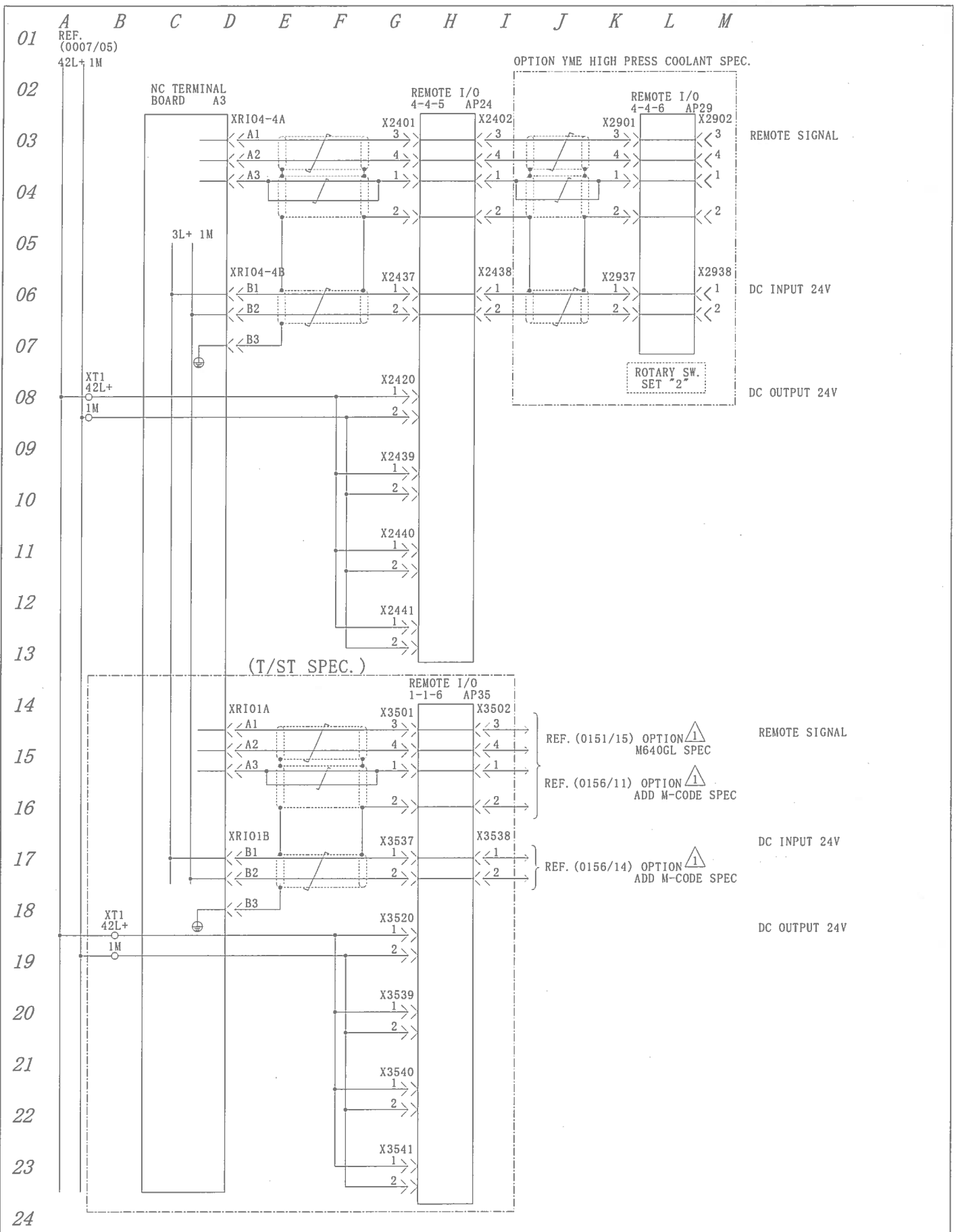
△		APR' D BY	CHK' D BY	DRWN BY	TITLE
△				03/07/08	REMOTE I/O CONNECTI ON 1
△		H. GOTO	H. GOTO	H. I. NAGAKI	DRWN NO. 372070400210
△		Mazak YAMAZAKI MAZAK CORPORATION			

This product is subject to all applicable Japanese Foreign Exchange and Foreign Trade Law
 本品は『外国為替及び外国貿易法』に該当しますので外国に輸出する場合には同法に基づく許可を必要とします。



△		APR'D BY	CHK'D BY	DRWN BY	TITLE
△				04/02/18	REMOTE I/O CONNECTION 2
△		H GOTO	H GOTO	H I NAGAKI	DRWN NO. 372070400221
△	Change	'03.09.01 H.I			

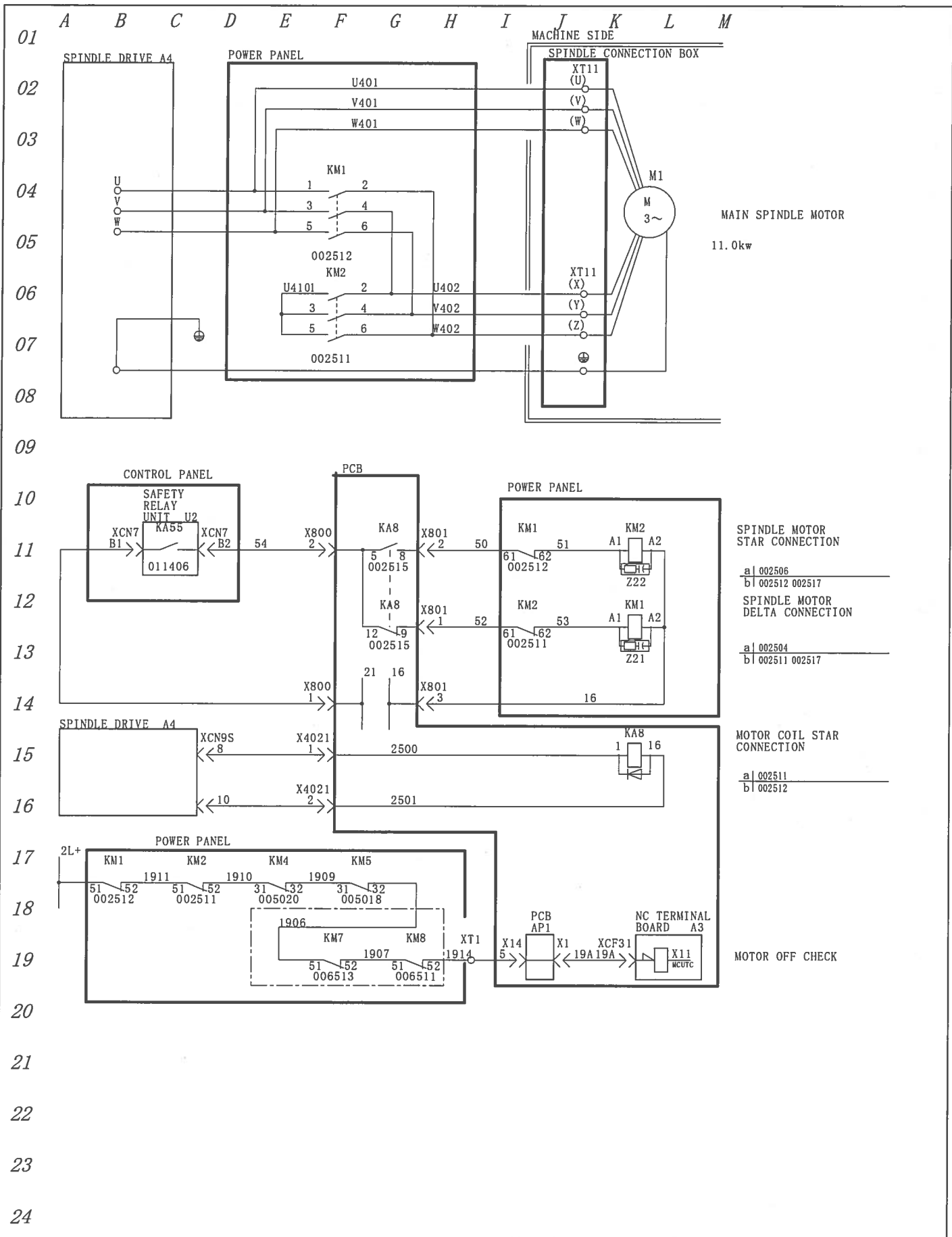
This product is subject to all applicable Japanese Foreign Exchange and Foreign Trade Law
 本品は『外国為替及び外国貿易法』に該当しますので外国に輸出する場合には同法に基づく許可を必要とします。



△		APR'D BY	CHK'D BY	DRWN BY	TITLE
△				04/12/02	REMOTE I/O CONNECTI ON 3
△		H. GOTO	H. GOTO	H. I. NAGAKI	DRWN NO. 372070400231
△	△ Add. OPTION	'04.10.30 H.N			



This product is subject to all applicable Japanese Foreign Exchange and Foreign Trade Law
 本品は『外国為替及び外国貿易法』に該当しますので外国に輸出する場合には同法に基づく許可を必要とします。



MAIN SPINDLE MOTOR
11.0kw

SPINDLE MOTOR
STAR CONNECTION

SPINDLE MOTOR
DELTA CONNECTION

MOTOR COIL STAR
CONNECTION

MOTOR OFF CHECK

a | 002506
b | 002512 002517

a | 002504
b | 002511 002517

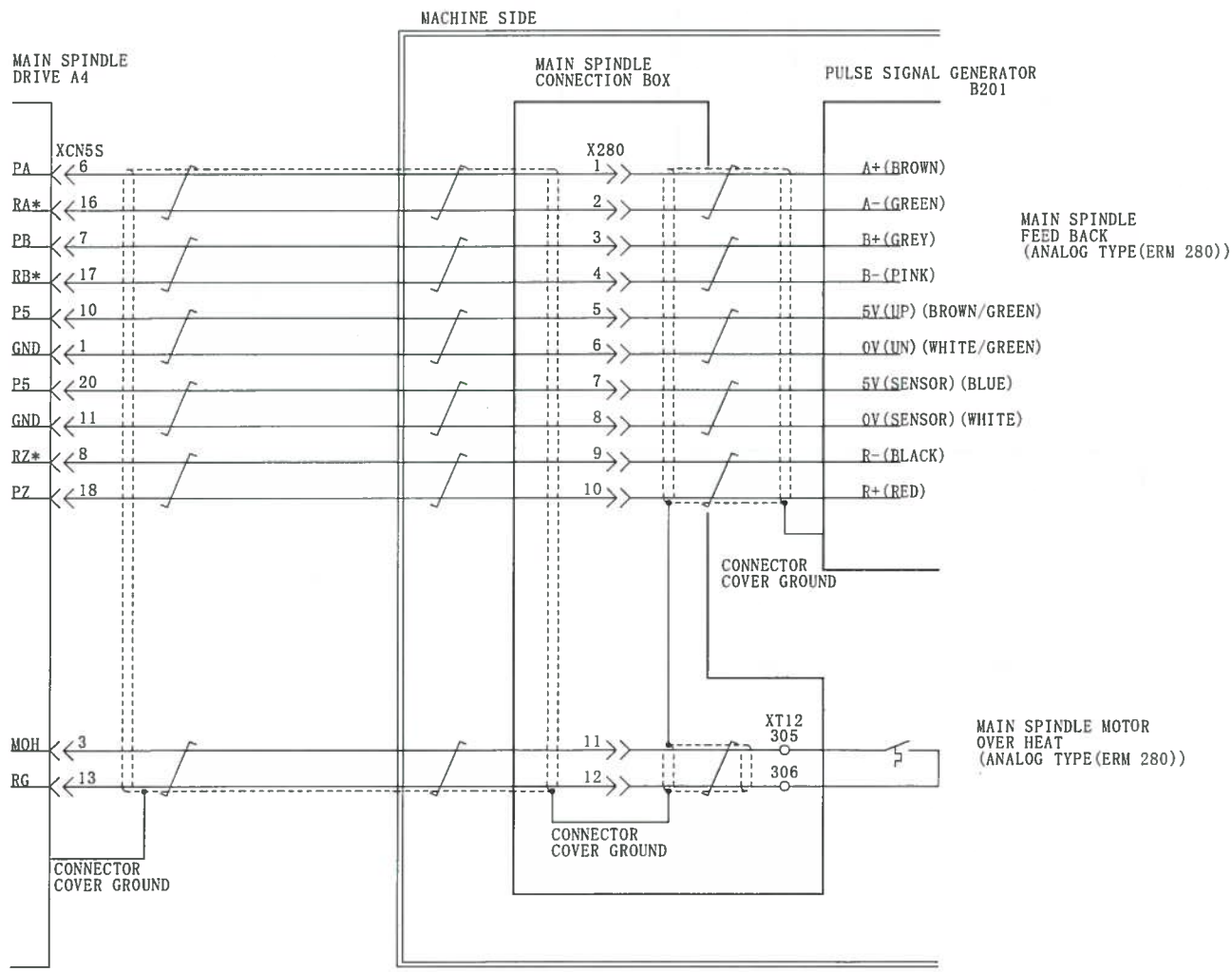
a | 002511
b | 002512

△		APR'D BY	CHK'D BY	DRWN BY	TITLE
△				03/07/08	MAIN SPINDLE MOTOR
△		H GOTO	H GOTO	H I NAGAKI	DRWN NO. 372070400250
△		 YAMAZAKI MAZAK CORPORATION			

This product is subject to all applicable Japanese Foreign Exchange and Foreign Trade Law
 本品は『外国為替及び外国貿易法』に該当しますので外国に輸出する場合には同法に基づく許可を必要とします。

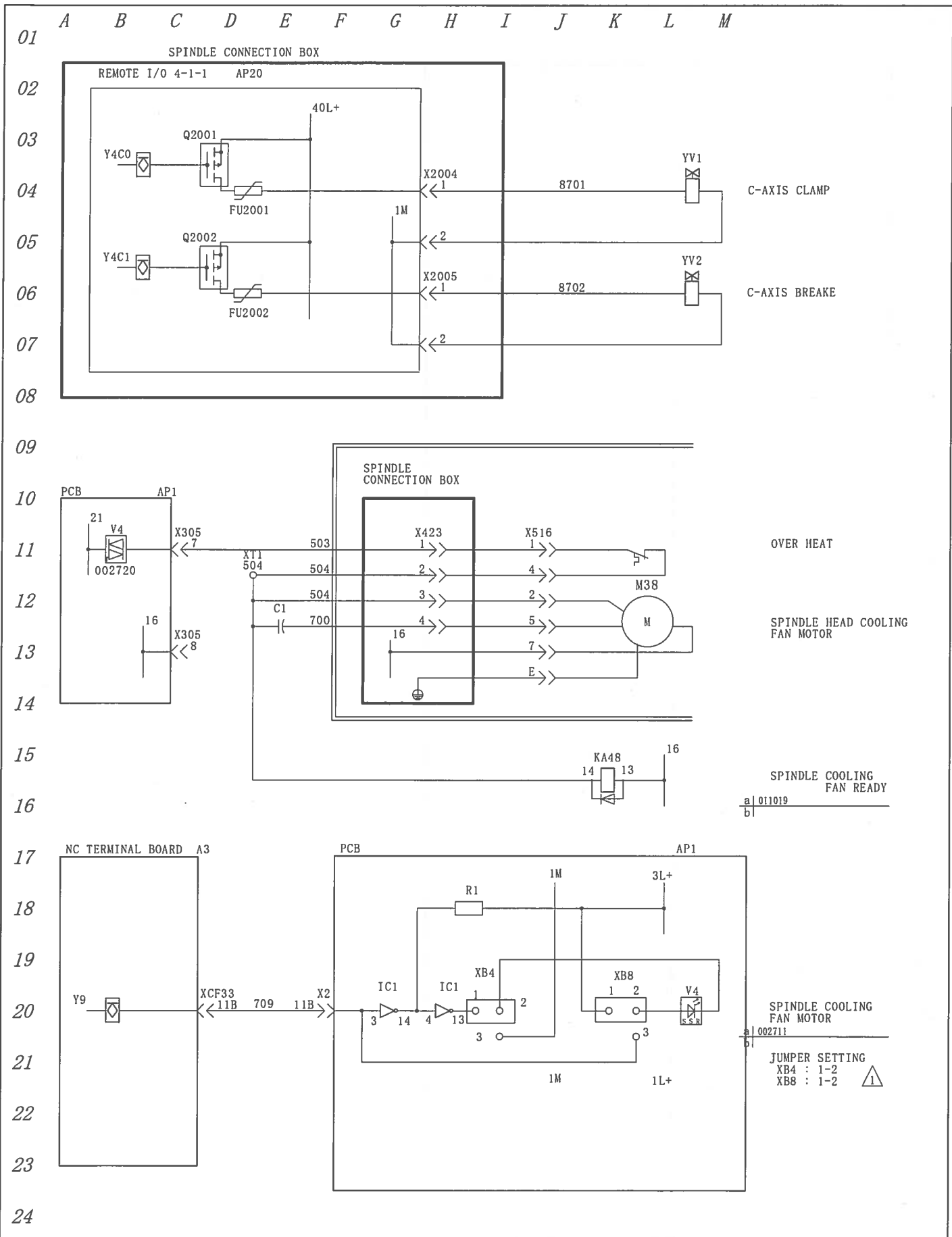
01
02
03
04
05
06
07
08
09
10
11
12
13
14
15
16
17
18
19
20
21
22
23
24

ANALOG TYPE (ERM 280) CONNECTION



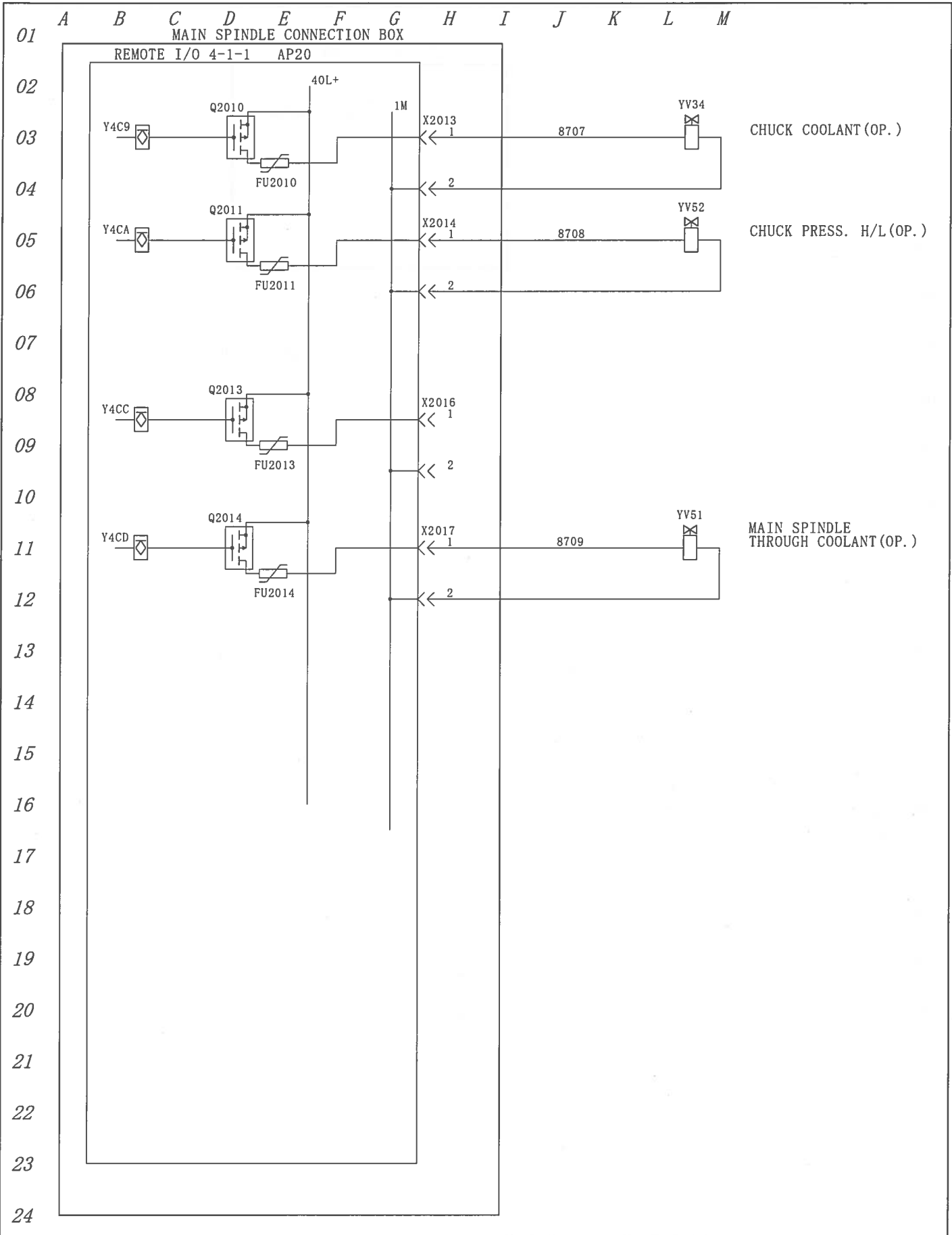
△		APR'D BY	CHK'D BY	DRWN BY	TITLE
△				03/07/08	MAIN SPINDLE 1 FEED BACK
△		H. GOTO	H. GOTO	H. I. NAGAKI	DRWN NO. 372070400260
△		Mazak YAMAZAKI MAZAK CORPORATION			

This product is subject to all applicable Japanese Foreign Exchange and Foreign Trade Law
 本品は『外国為替及び外国貿易法』に該当しますので外国に輸出する場合には同法に基づく許可を必要とします。



△		APR'D BY	CHK'D BY	DRWN BY	TITLE
△				04/02/18	C-AXIS CLAMP/UNCLAMP
△		H GOTO	H GOTO	H I NAGAKI	DRWN NO. 372070400271
△	Add.	'03.09.01 H. I			

This product is subject to all applicable Japanese Foreign Exchange and Foreign Trade Law
 本品は『外国為替及び外国貿易法』に該当しますので外国に輸出する場合には同法に基づく許可を必要とします。



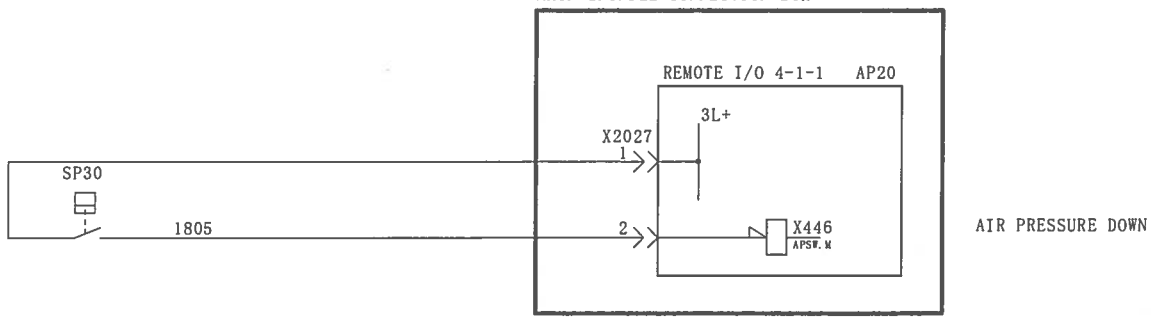
△		APR'D BY	CHK'D BY	DRWN BY	TITLE
△				03/07/08	OPTI ON SPI NDLE CONNECTI ON BOX SOL.
△		H GOTO	H GOTO	H I NAGAKI	DRWN NO. 372070400290
△		Mazak YAMAZAKI MAZAK CORPORATION			

This product is subject to all applicable Japanese Foreign Exchange and Foreign Trade Law
 本品は『外国為替及び外国貿易法』に該当しますので外国に輸出する場合には同法に基づく許可を必要とします。

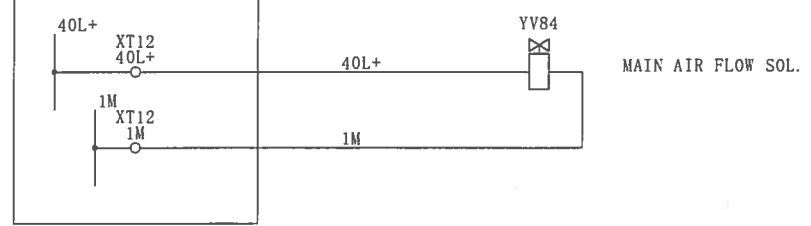
01
02
03
04
05
06
07
08
09
10
11
12
13
14
15
16
17
18
19
20
21
22
23
24

A B C D E F G H I J K L M

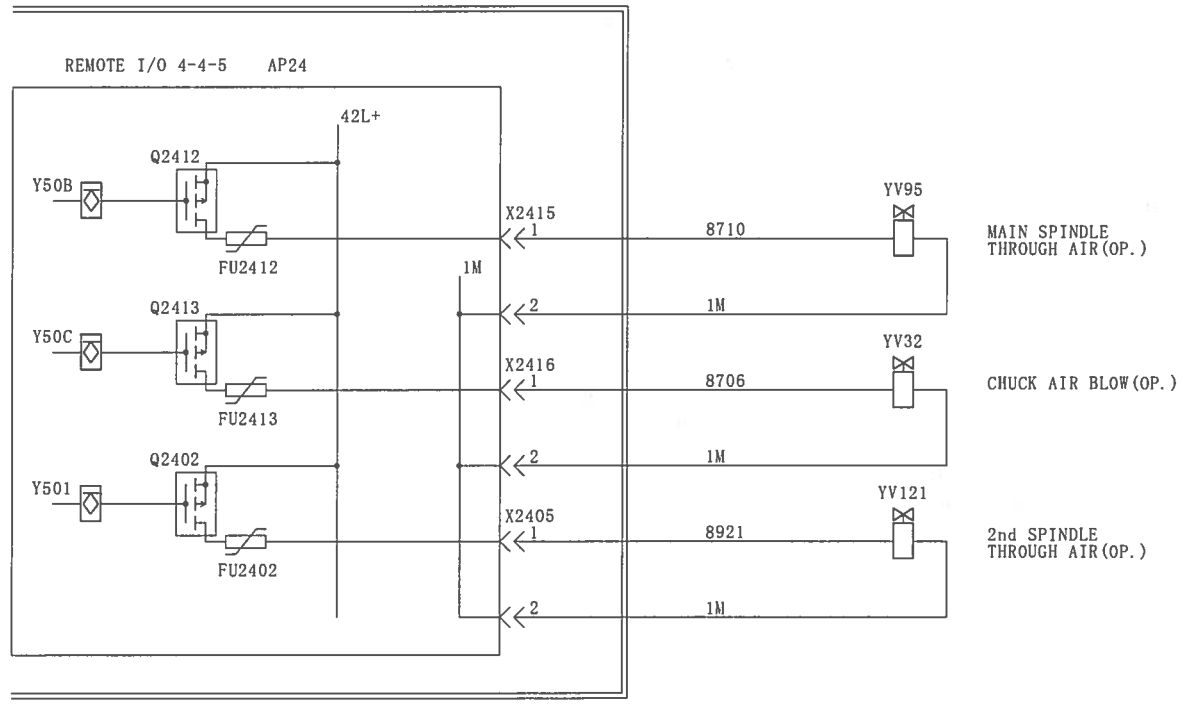
MAIN SPINDLE CONNECTION BOX



SPINDLE CONNECTION BOX



MACHINE SIDE

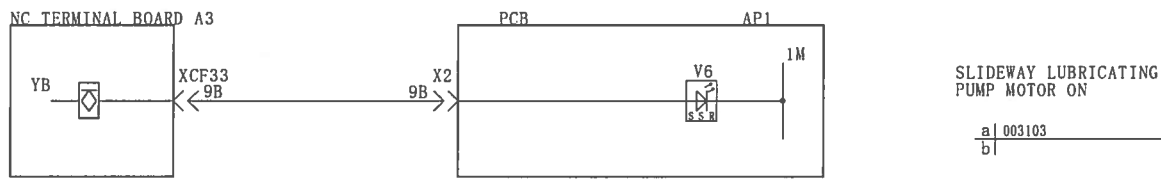
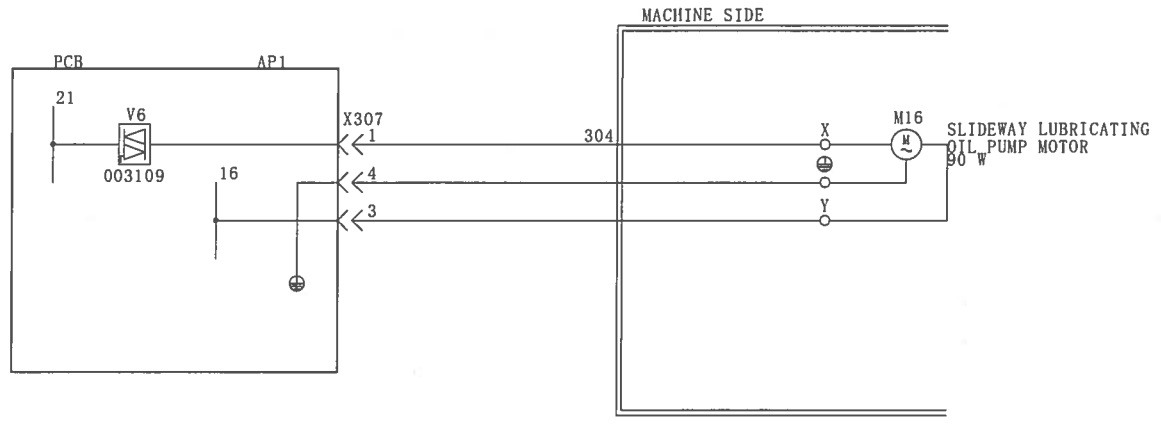


△			APR' D BY	CHK' D BY	DRWN BY	TITLE
△					03/07/08	AIR KIT
△			H. GOTO	H. GOTO	H. I. NAGAKI	DRWN NO. 372070400300
△			 YAMAZAKI MAZAK CORPORATION			

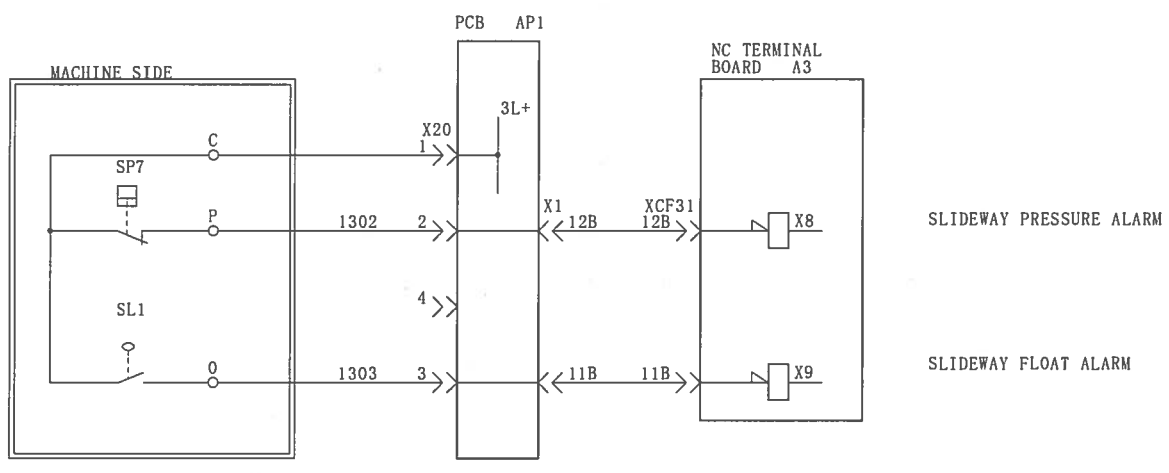
This product is subject to all applicable Japanese Foreign Exchange and Foreign Trade Law
 本品は『外国為替及び外国貿易法』に該当しますので外国に輸出する場合には同法に基づく許可を必要とします。

01 A B C D E F G H I J K L M


02
03
04
05
06
07
08
09
10
11
12
13
14
15
16
17
18
19
20
21
22
23
24



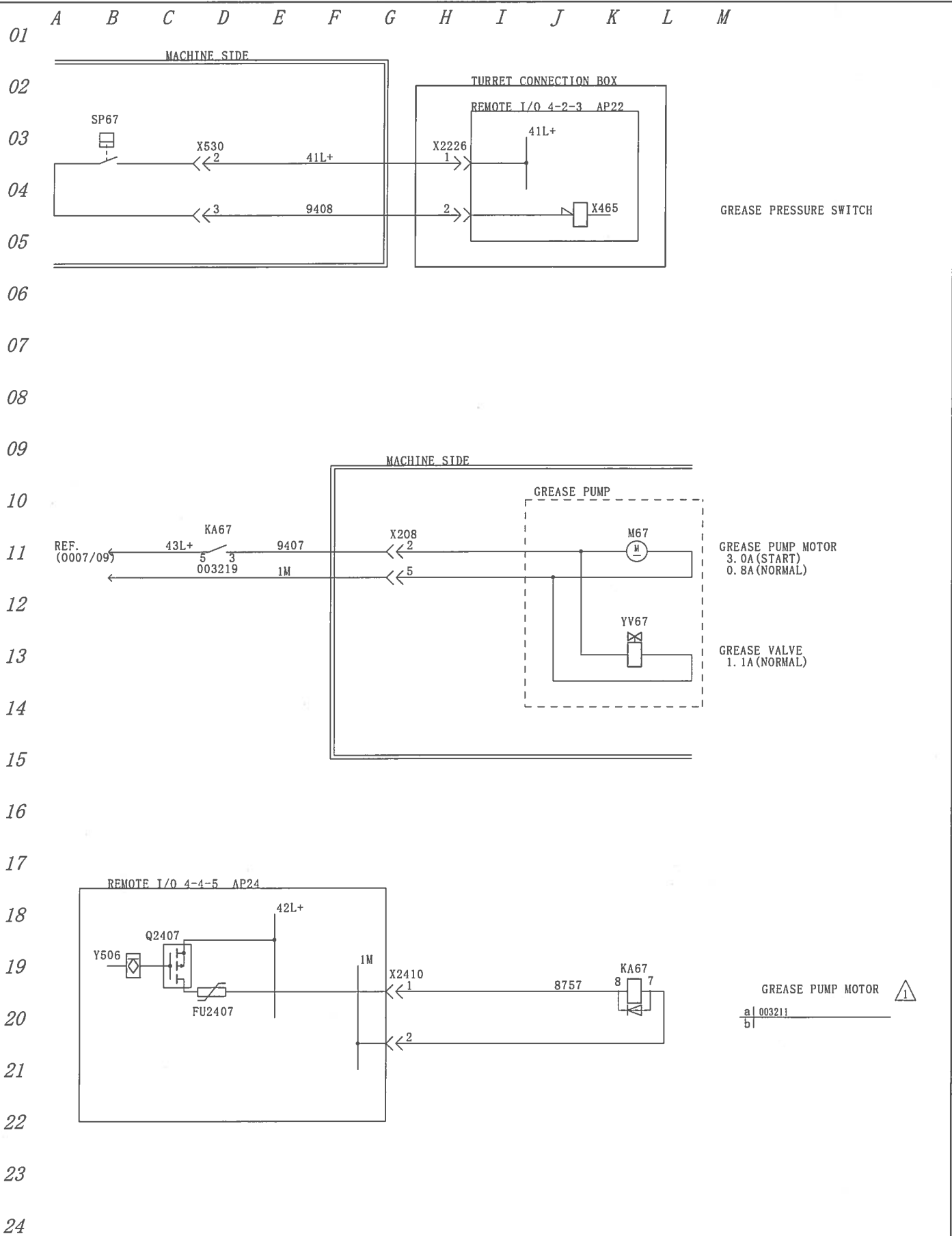
SLIDEWAY LUBRICATING PUMP MOTOR ON
a | 003103
b |



SLIDEWAY PRESSURE ALARM
SLIDEWAY FLOAT ALARM

△		APR'D BY	CHK'D BY	DRWN BY	TITLE
△				03/07/08	SLIDEWAY LUBRICATING
△		H. GOTO	H. GOTO	H. I. NAGAKI	DRWN NO. 372070400310
△		 YAMAZAKI MAZAK CORPORATION			

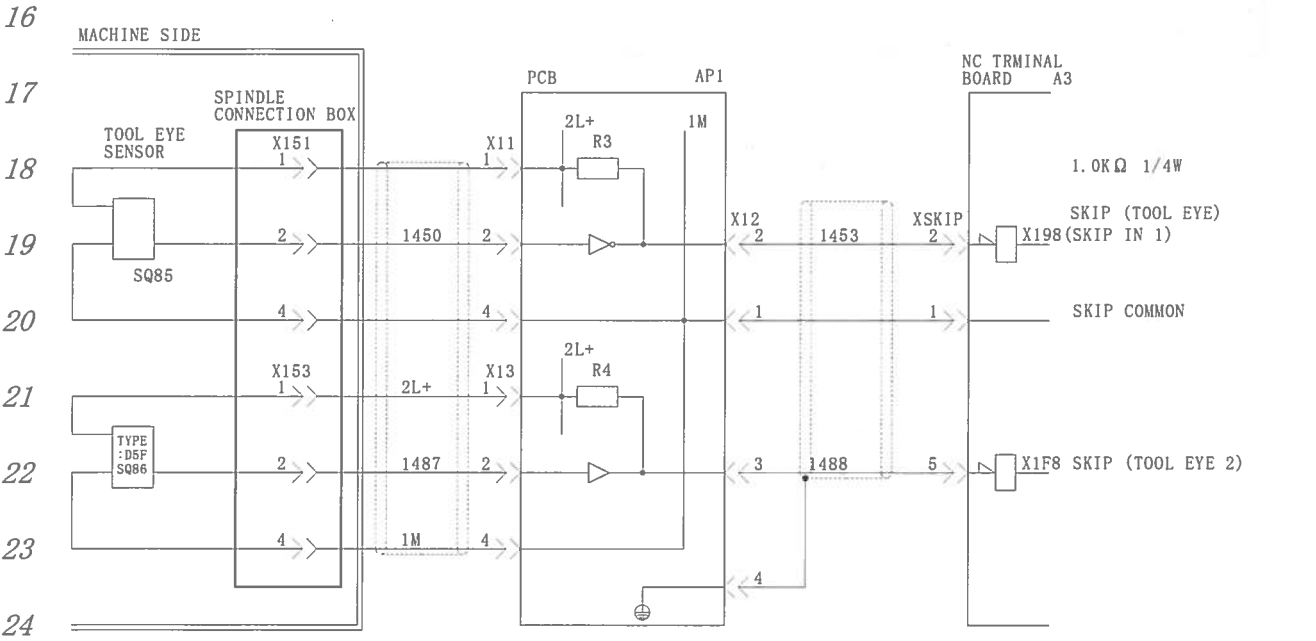
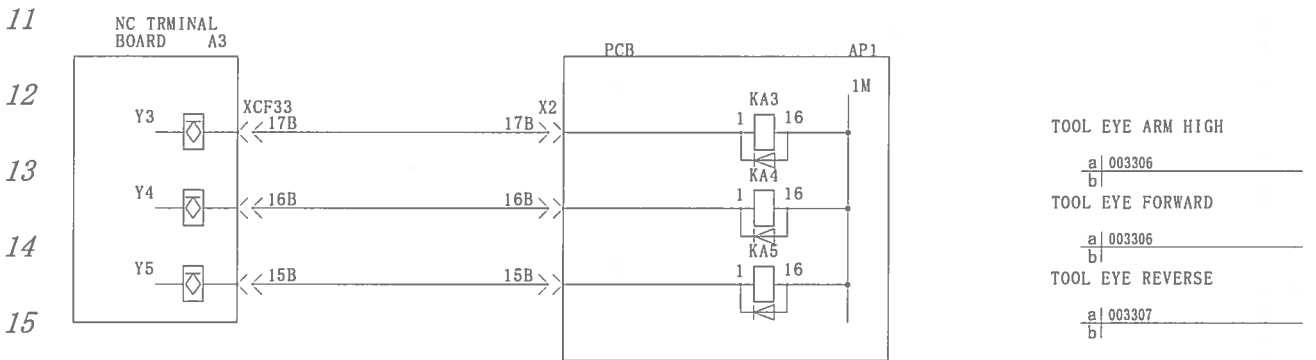
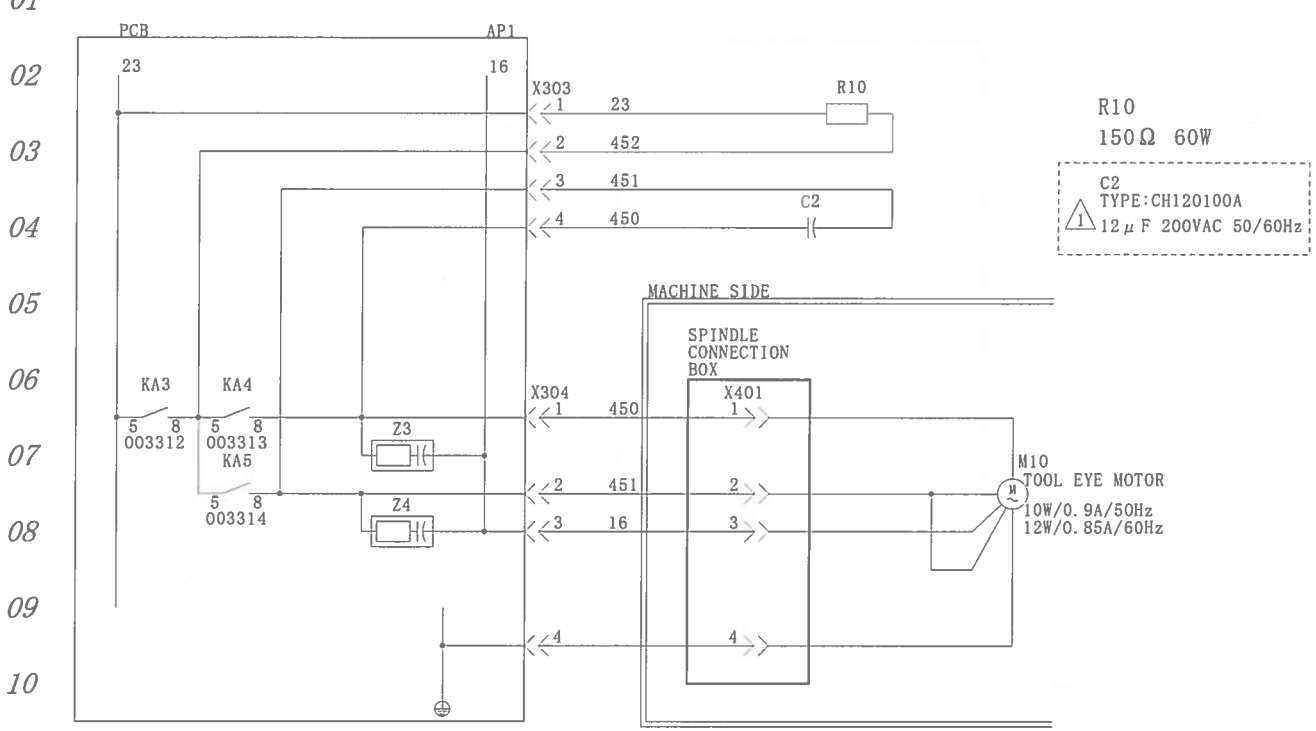
This product is subject to all applicable Japanese Foreign Exchange and Foreign Trade Law
 本品は『外国為替及び外国貿易法』に該当しますので外国に輸出する場合には同法に基づく許可を必要とします。



△		APR'D BY	CHK'D BY	DRWN BY	TITLE
△				04/02/18	GREASE PUMP MOTOR
△		H. GOTO	H. GOTO	H. I. NAGAKI	DRWN NO. 372070400321
△	Add.	'03.09.01 H. I.			

This product is subject to all applicable Japanese Foreign Exchange and Foreign Trade Law
 本品は『外国為替及び外国貿易法』に該当しますので外国に輸出する場合には同法に基づく許可を必要とします。

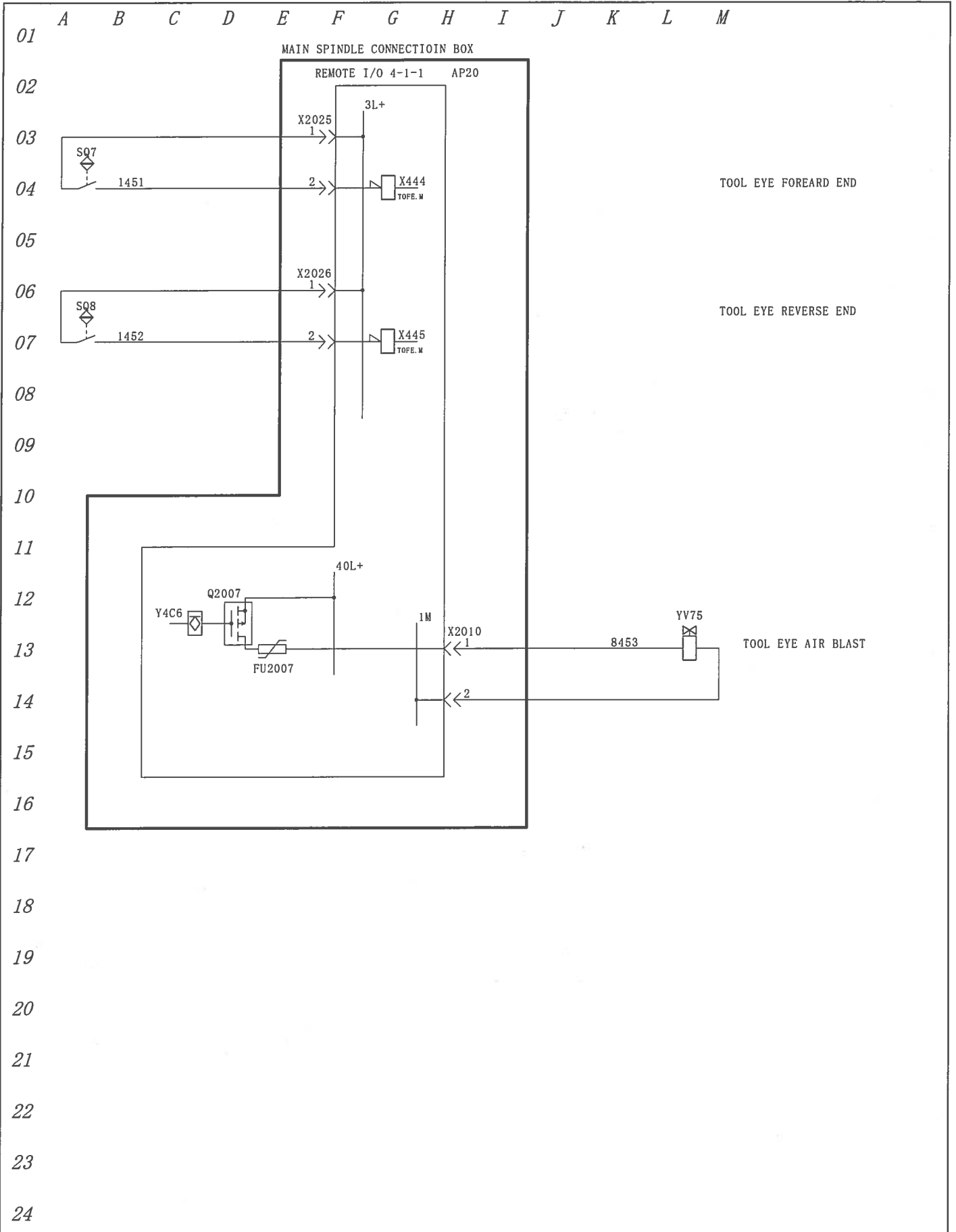
01 A B C D E F G H I J K L M




APR'D BY	CHK'D BY	DRWN BY	TITLE
H. GOTO	H. GOTO	H. I. NAGAKI	OPTI ON TOOL EYE 1
YAMAZAKI MAZAK CORPORATION			DRWN NO. 372070400331

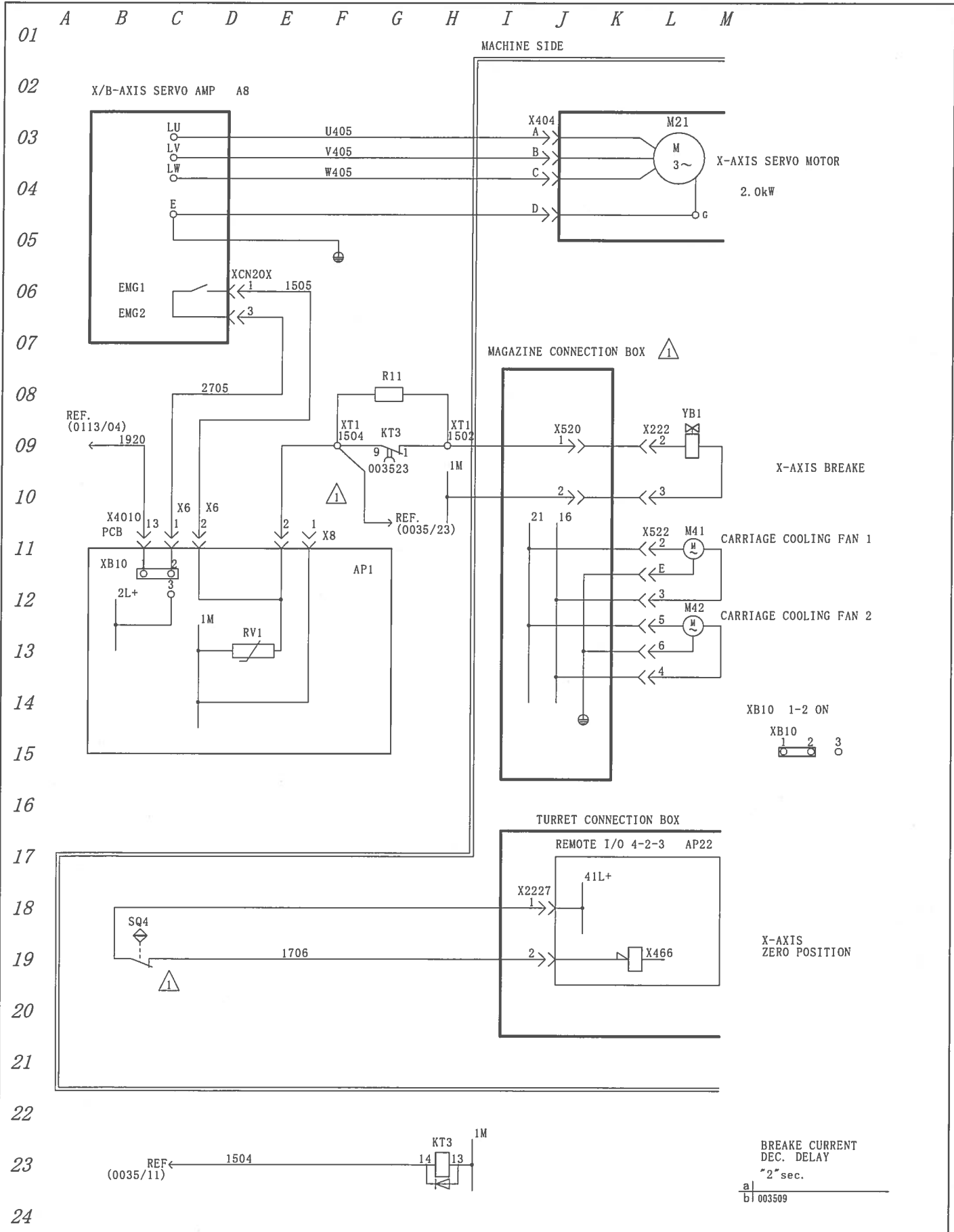
CHANGE C2: 12 μF SET 50/60Hz '04.10.30 H.N

This product is subject to all applicable Japanese Foreign Exchange and Foreign Trade Law
 本品は『外国為替及び外国貿易法』に該当しますので外国に輸出する場合には同法に基づく許可を必要とします。



△		 YAMAZAKI MAZAK CORPORATION	APR'D BY	CHK'D BY	DRWN BY	TITLE
△					03/07/08	OPTI ON TOOL EYE 2
△			H. GOTO	H. GOTO	H. I. NAGAKI	DRWN NO. 372070400340
△						
△						

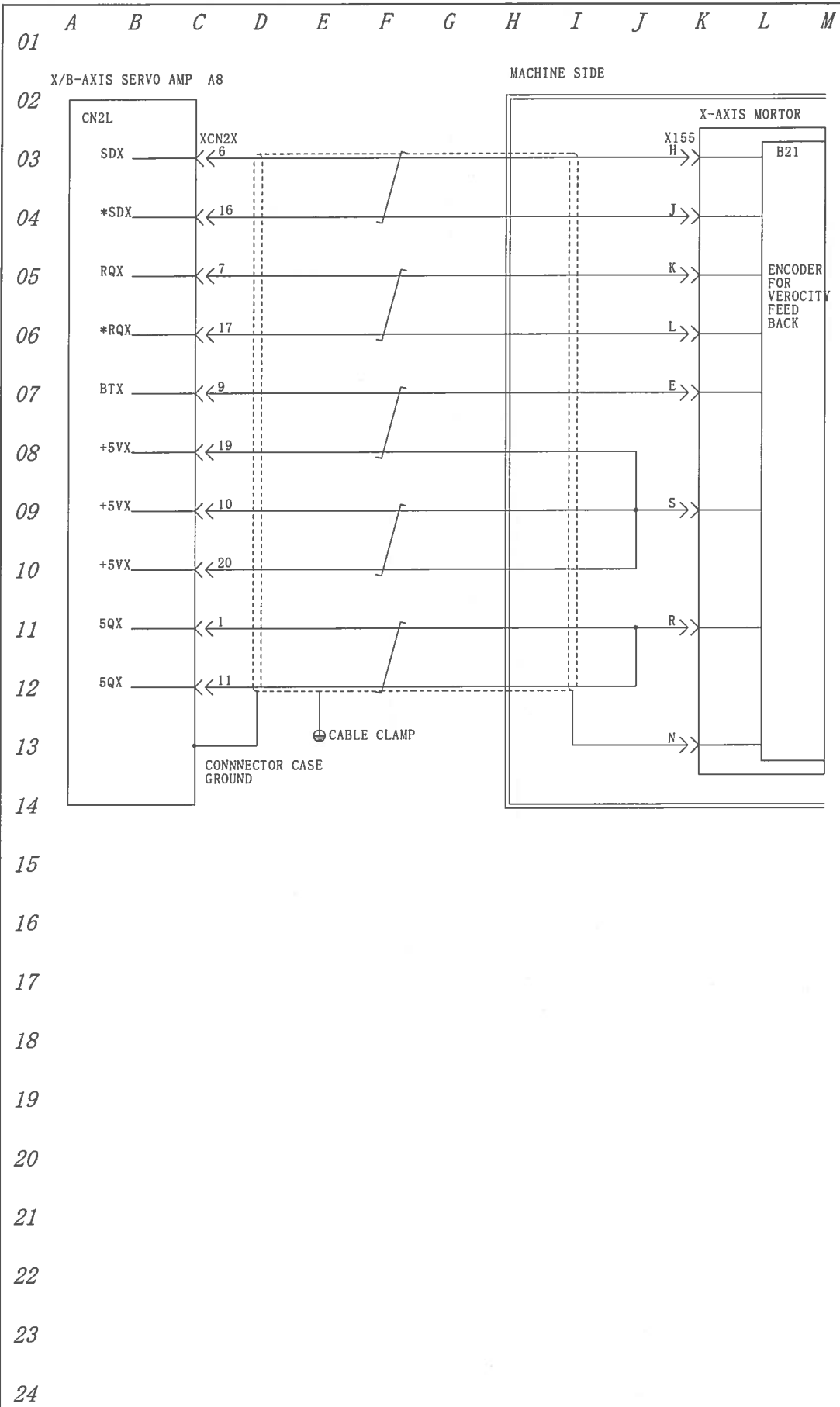
This product is subject to all applicable Japanese Foreign Exchange and Foreign Trade Law
 本品は『外国為替及び外国貿易法』に該当しますので外国に輸出する場合には同法に基づく許可を必要とします。



△		APR'D BY	CHK'D BY	DRWN BY	TITLE
△				04/02/18	X-AXIS SERVO MOTOR
△		H GOTO	H GOTO	H I NAGAKI	DRWN NO. 372070400351
△	Change	'03.09.01 H.I			

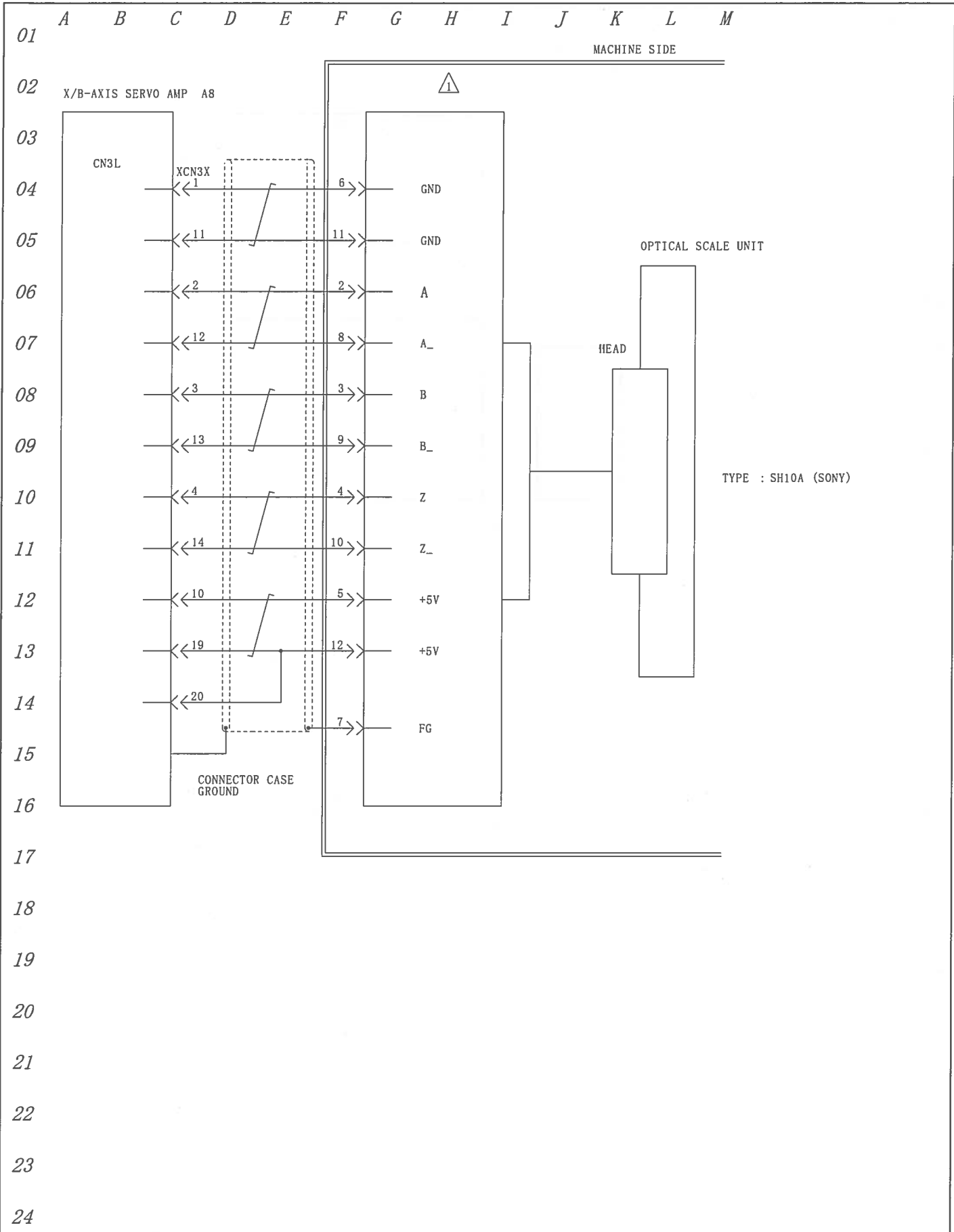


This product is subject to all applicable Japanese Foreign Exchange and Foreign Trade Law
 本品は『外国為替及び外国貿易法』に該当しますので外国に輸出する場合には同法に基づく許可を必要とします。



△		 Mazak YAMAZAKI MAZAK CORPORATION	APR'D BY	CHK'D BY	DRWN BY	TITLE
△					03/07/08	X-AXIS SERVO ENCODER (MOTOR END)
△			H GOTO	H GOTO	H I NAGAKI	DRWN NO. 372070400360
△						
△						

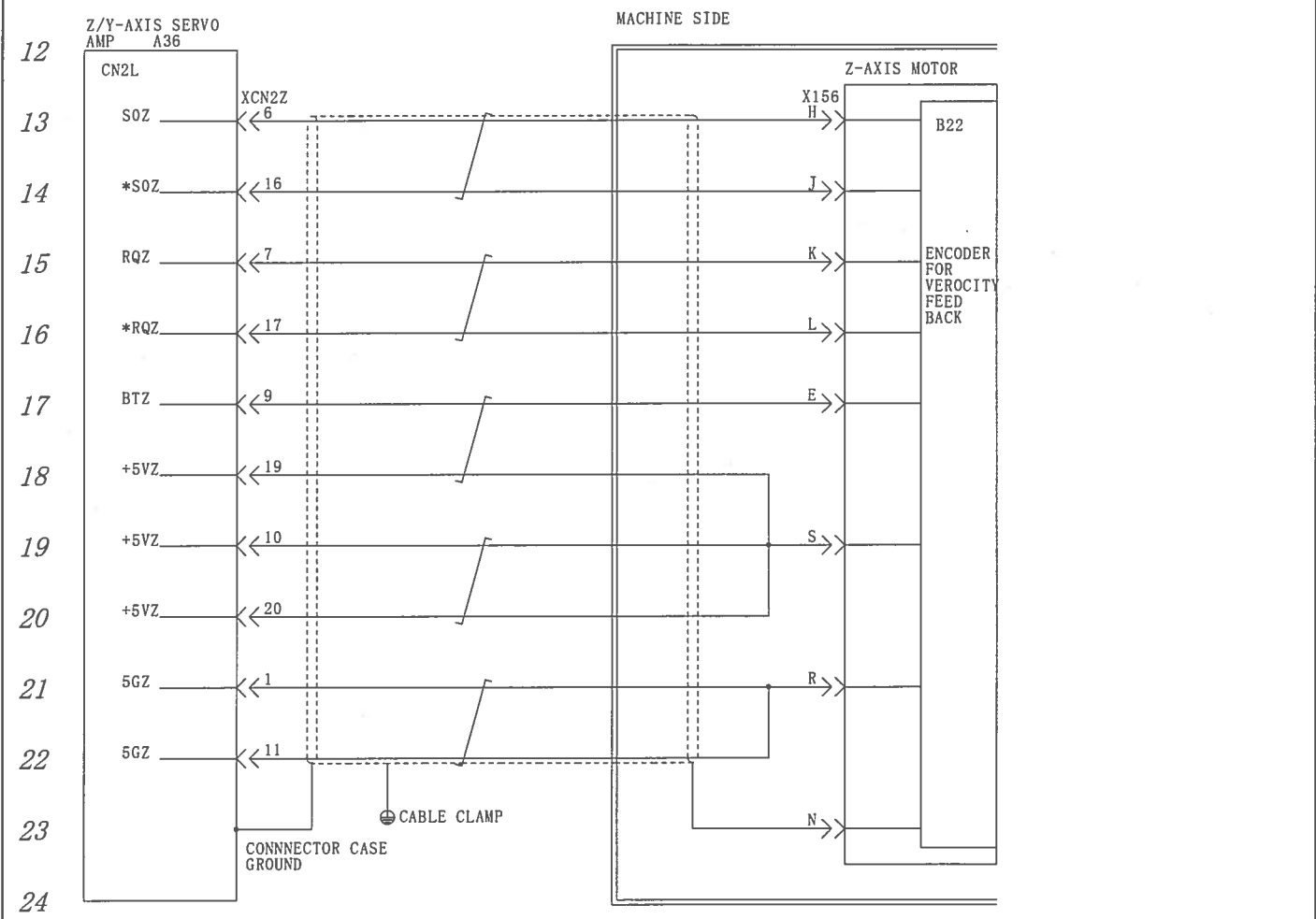
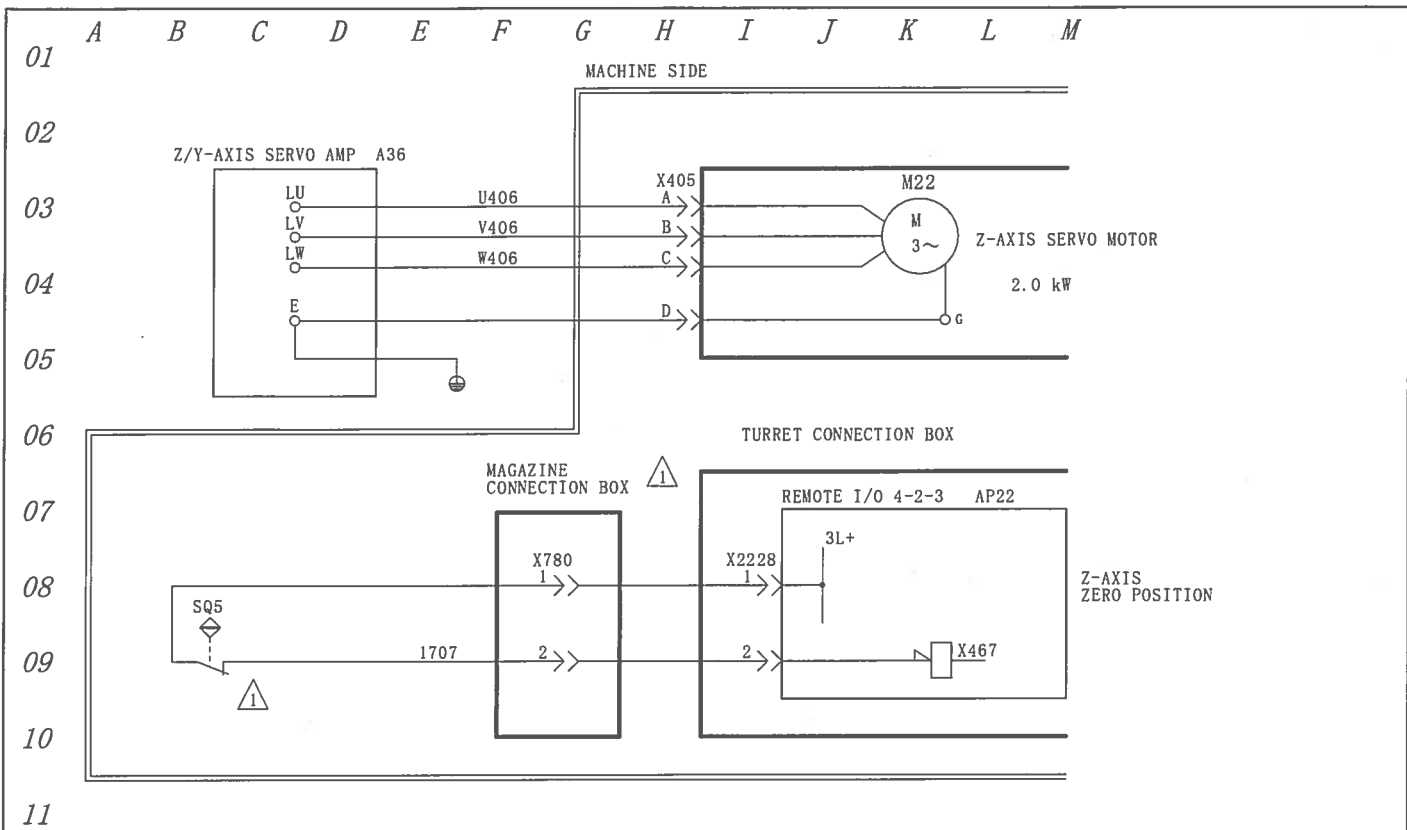
This product is subject to all applicable Japanese Foreign Exchange and Foreign Trade Law
 本品は『外国為替及び外国貿易法』に該当しますので外国に輸出する場合には同法に基づく許可を必要とします。



△		APR'D BY	CHK'D BY	DRWN BY	TITLE
△				04/02/18	X-AXIS OPTICAL SCALE
△		H. GOTO	H. GOTO	H. I. NAGAKI	DRWN NO. 372070400371
△	Del.	'03.09.01 H. I.			

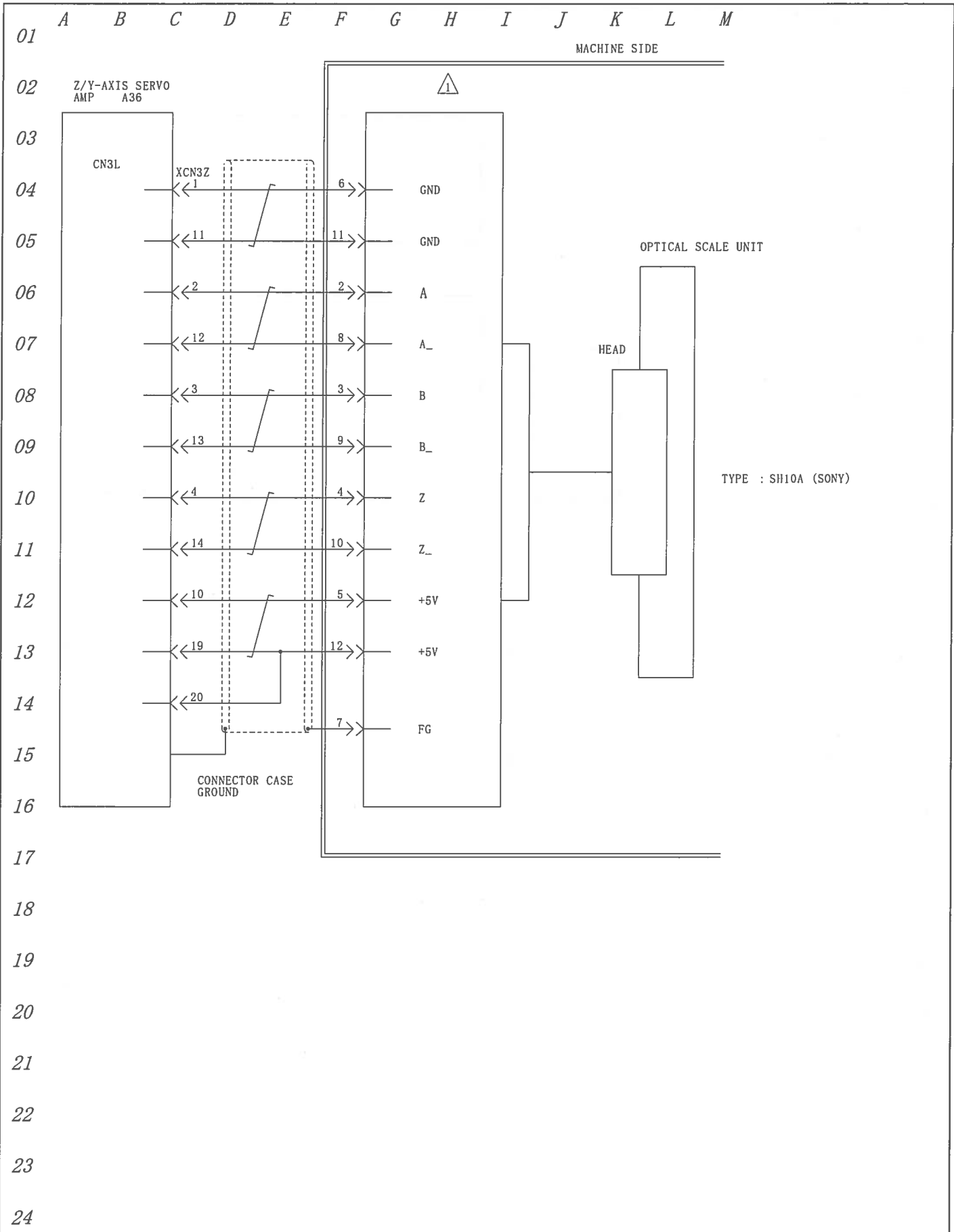


This product is subject to all applicable Japanese Foreign Exchange and Foreign Trade Law
 本品は『外国為替及び外国貿易法』に該当しますので外国に輸出する場合には同法に基づく許可を必要とします。



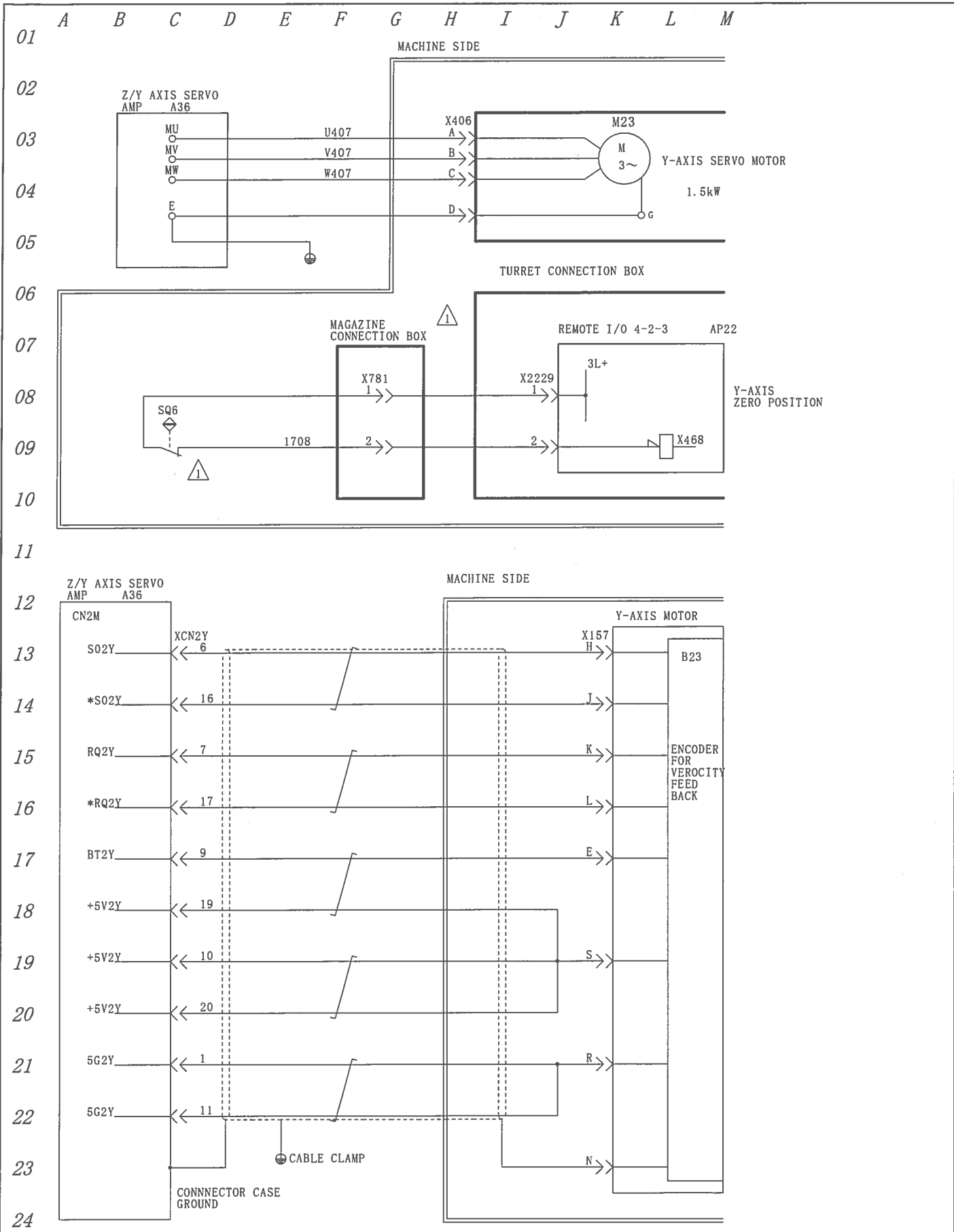
△			APR'D BY	CHK'D BY	DRWN BY	TITLE
△					04/02/18	Z-AXIS SERVO MOTOR
△			H. GOTO	H. GOTO	H. I. NAGAKI	DRWN NO. 372070400381
△	Change	'03.09.01 H. I.	Mazak YAMAZAKI MAZAK CORPORATION			

This product is subject to all applicable Japanese Foreign Exchange and Foreign Trade Law
 本品は『外国為替及び外国貿易法』に該当しますので外国に輸出する場合には同法に基づく許可を必要とします。



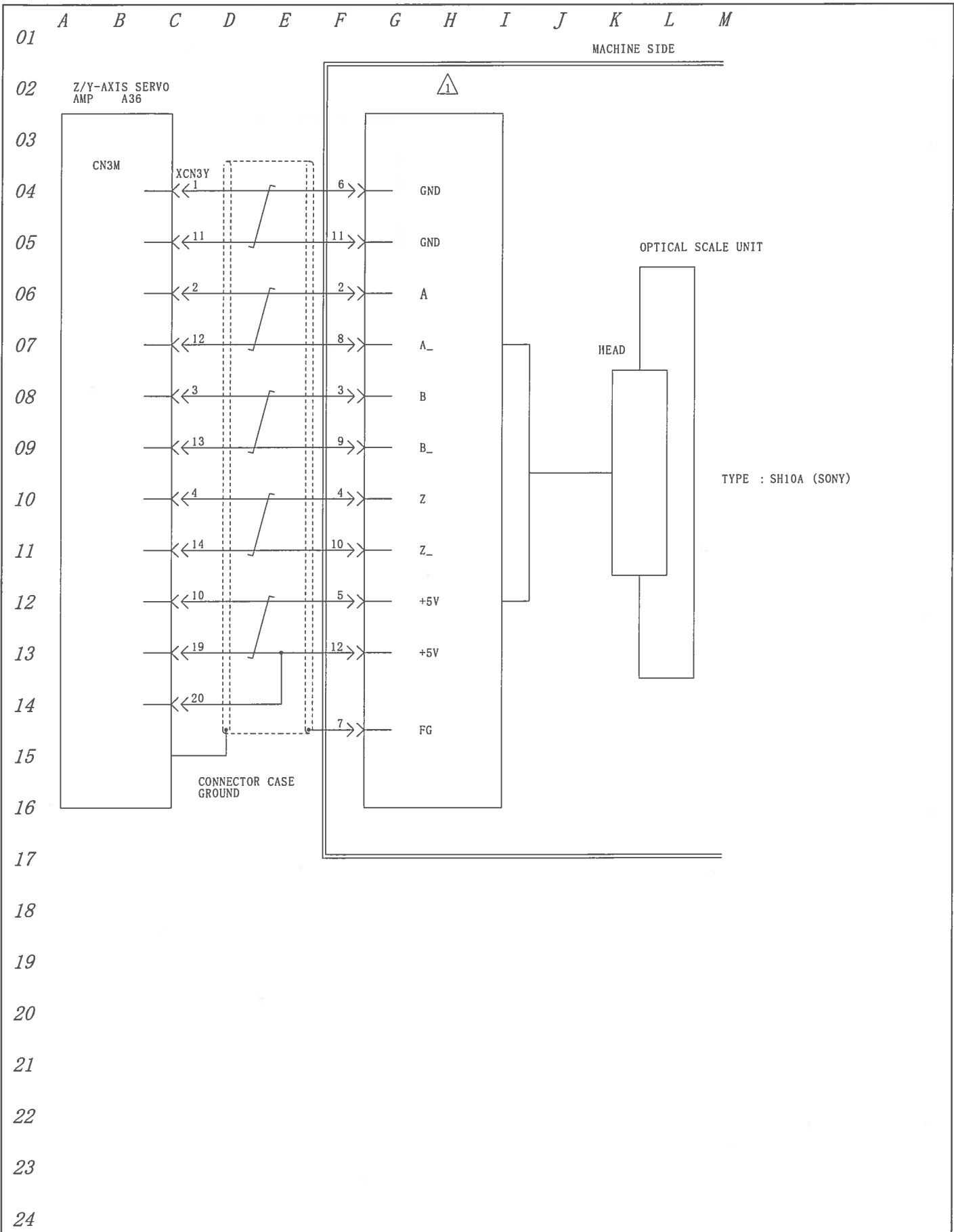
△		APR'D BY	CHK'D BY	DRWN BY	TITLE
△				04/02/18	Z-AXIS OPTICAL SCALE
△		H. GOTO	H. GOTO	H. I. NAGAKI	DRWN NO. 372070400391
△	Del.	'03.09.01 H. I.			

This product is subject to all applicable Japanese Foreign Exchange and Foreign Trade Law
 本品は『外国為替及び外国貿易法』に該当しますので外国に輸出する場合には同法に基づく許可を必要とします。



△			APR'D BY	CHK'D BY	DRWN BY	TITLE
△					04/02/18	Y-AXIS SERVO MOTOR
△			H GOTO	H GOTO	H I NAGAKI	DRWN NO. 372070400401
△	Change	'03.09.01 H.I				

This product is subject to all applicable Japanese Foreign Exchange and Foreign Trade Law
 本品は『外国為替及び外国貿易法』に該当しますので外国に輸出する場合には同法に基づく許可を必要とします。



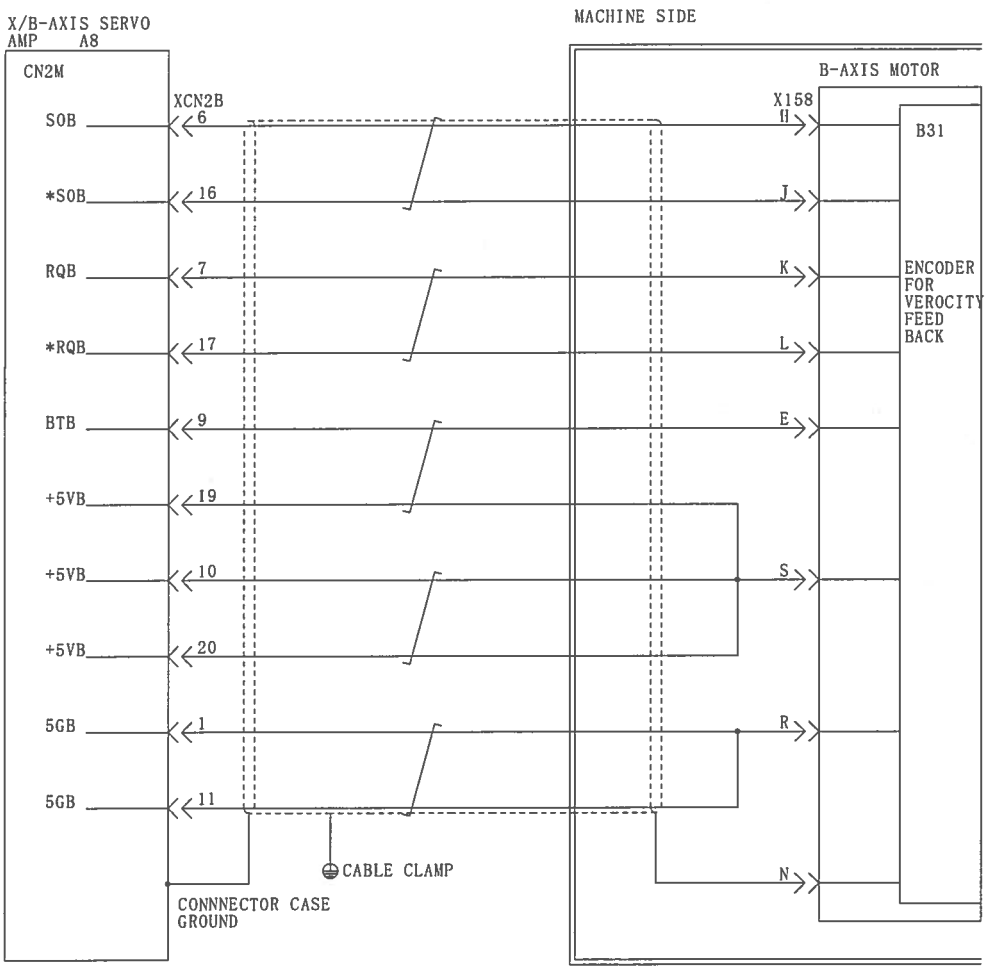
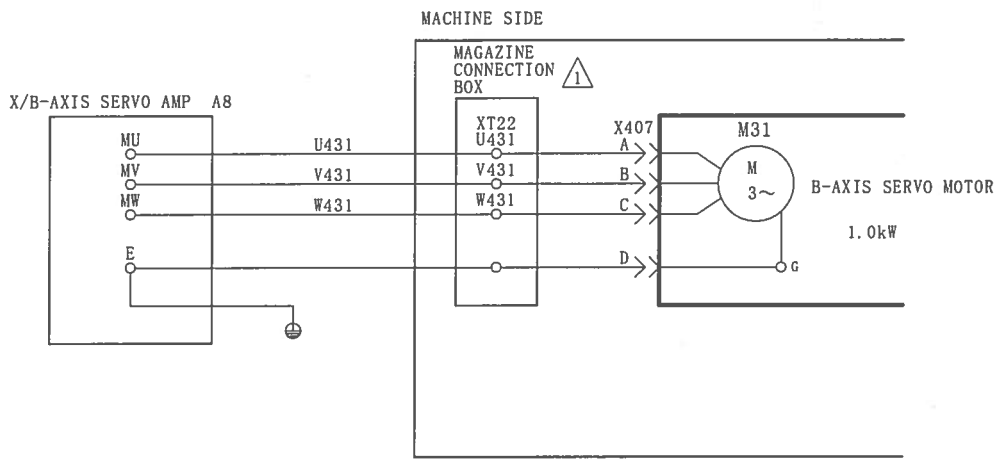
△		APR'D BY	CHK'D BY	DRWN BY	TITLE
△				04/02/18	Y-AXIS OPTICAL SCALE
△				H. I. NAGAKI	DRWN NO. 372070400411
△	Del.			'03.09.01 H. I.	



This product is subject to all applicable Japanese Foreign Exchange and Foreign Trade Law
 本品は『外国為替及び外国貿易法』に該当しますので外国に輸出する場合には同法に基づく許可を必要とします。

01 A B C D E F G H I J K L M

02
03
04
05
06
07
08
09
10
11
12
13
14
15
16
17
18
19
20
21
22
23
24




△		 YAMAZAKI MAZAK CORPORATION	APR'D BY	CHK'D BY	DRWN BY	TITLE
△			H GOTO	H GOTO	H I NAGAKI	B-AXIS SERVO
△						DRWN NO. 372070400461
△	Change		'03.09.01 H. I.			

This product is subject to all applicable Japanese Foreign Exchange and Foreign Trade Law
 本品は『外国為替及び外国貿易法』に該当しますので外国に輸出する場合には同法に基づく許可を必要とします。

01 A B C D E F G H I J K L M

X/B-AXIS SURVO AMP
A8

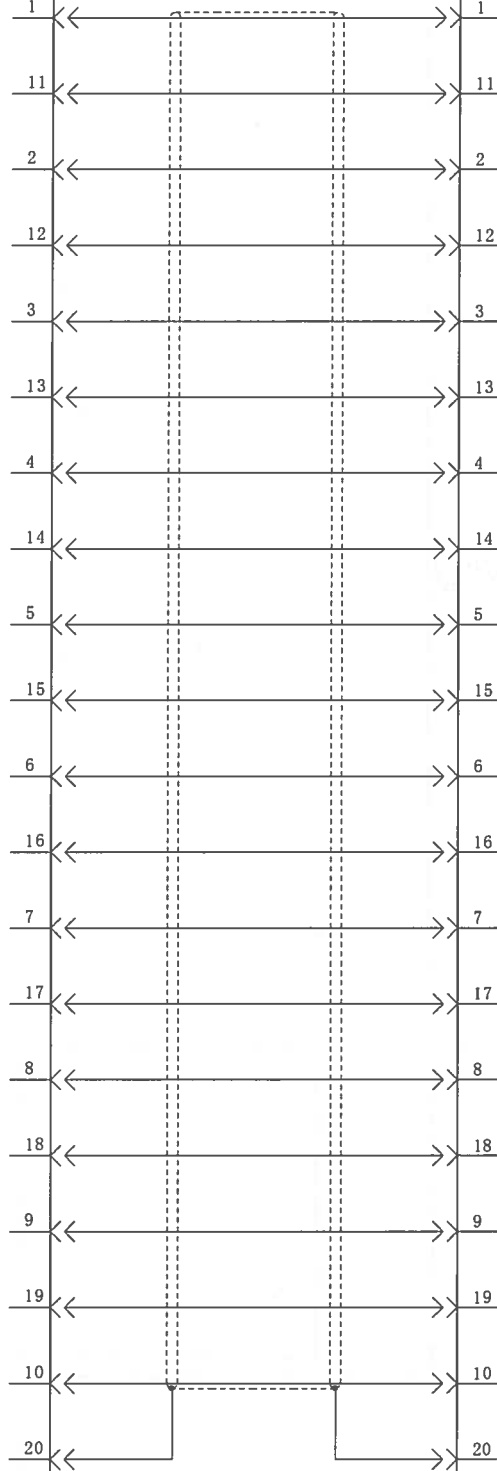
BATTERY UNIT
A23





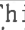
A-BT-8 

CN1B

CN1B

CN1A1



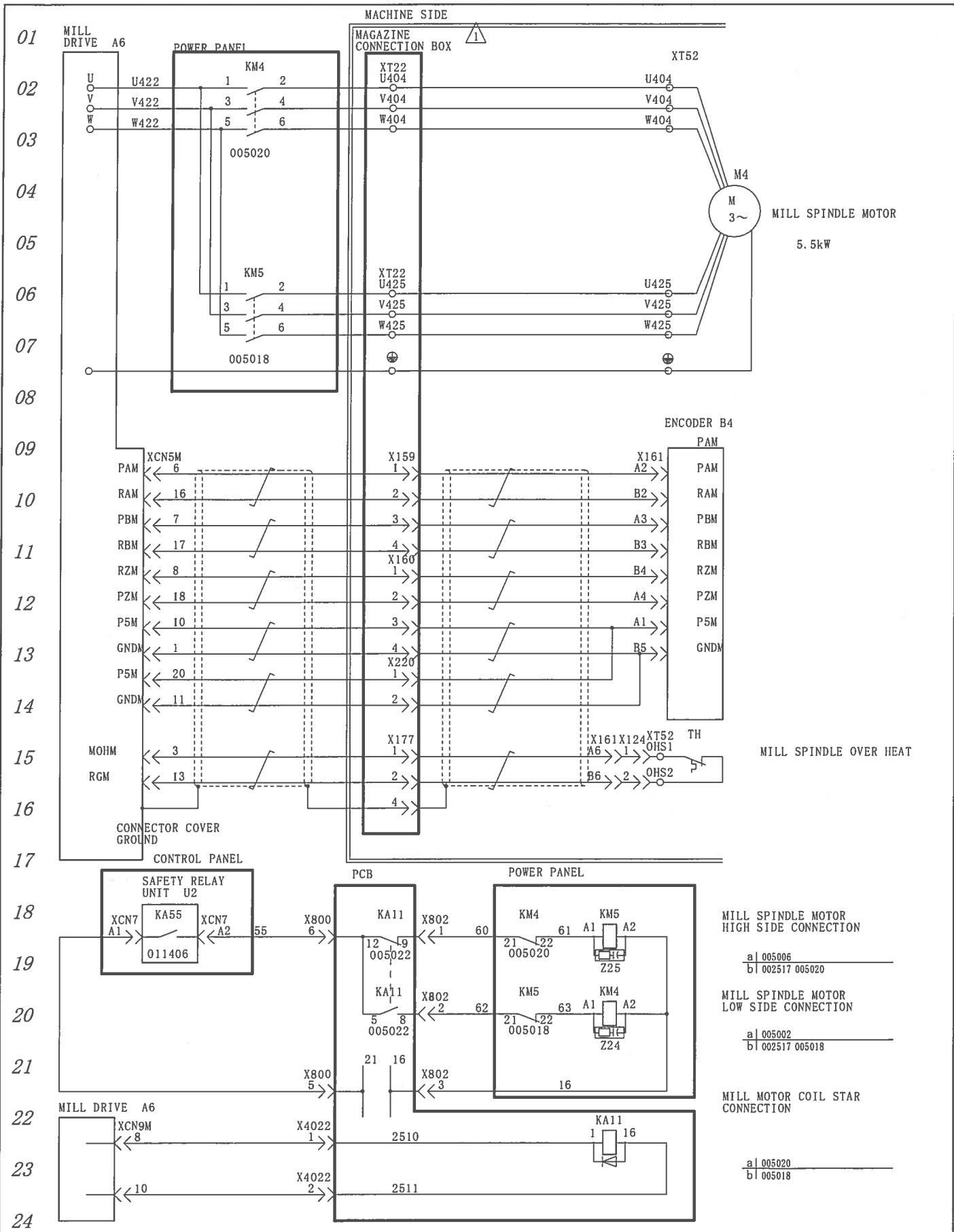
	
	
	
	
	Change '03.09.01 H. I.

Mazak
YAMAZAKI MAZAK CORPORATION

APR'D BY	CHK'D BY	DRWN BY
H. GOTO	H. GOTO	H. I. NAGAKI

TITLE	ABSOLUTE ENCODER
DRWN NO.	372070400471

This product is subject to all applicable Japanese Foreign Exchange and Foreign Trade Law
 本品は『外国為替及び外国貿易法』に該当しますので外国に輸出する場合には同法に基づく許可を必要とします。



MILL SPINDLE MOTOR HIGH SIDE CONNECTION

MILL SPINDLE MOTOR LOW SIDE CONNECTION

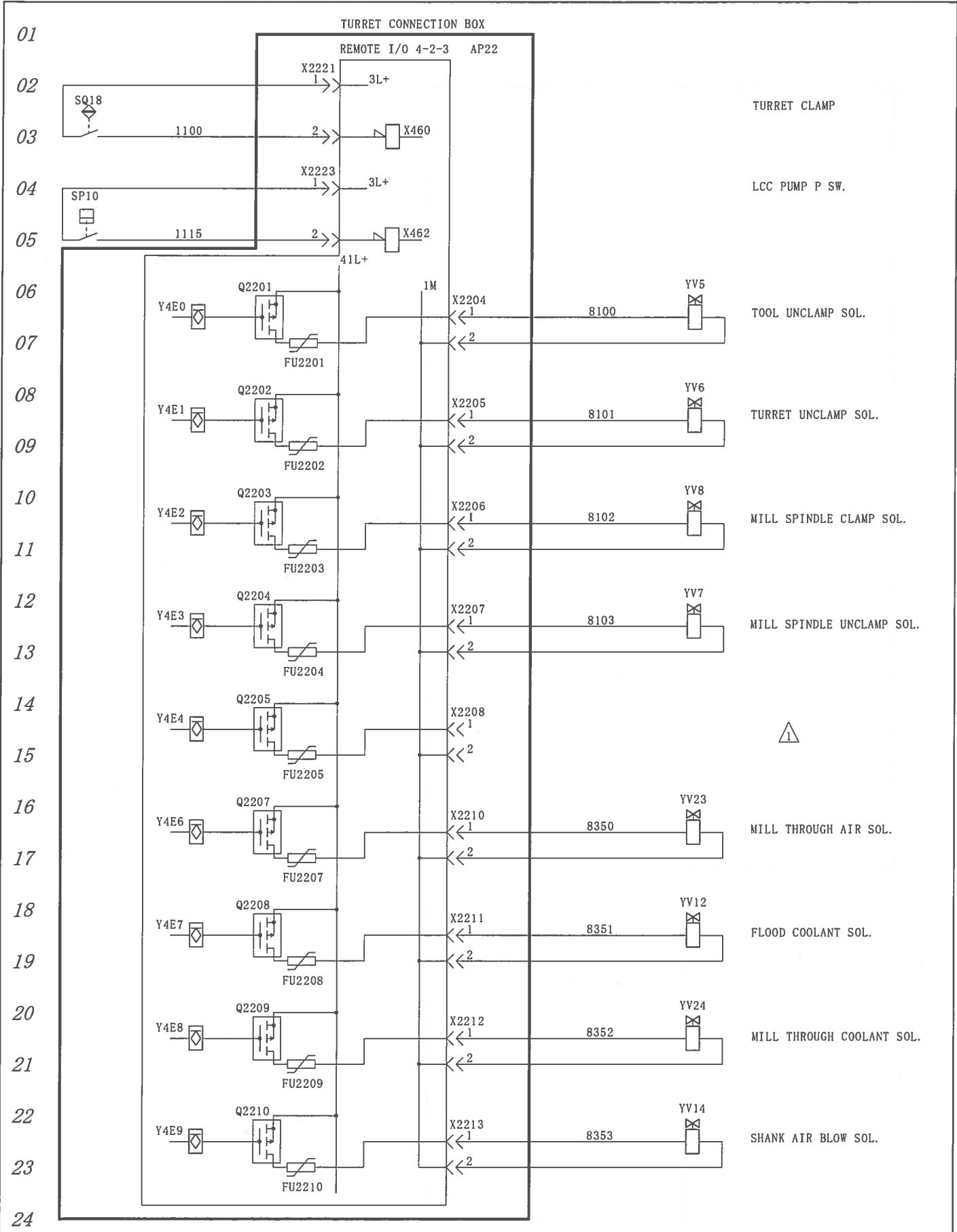
MILL MOTOR COIL STAR CONNECTION

- a | 005006
- b | 002517 005020
- a | 005002
- b | 002517 005018
- a | 005020
- b | 005018

△		APR'D BY	CHK'D BY	DRWN BY	TITLE
△				04/02/18	M L L D R I V E
△		H. GOTO	H. GOTO	H. I N A G A K I	DRWN NO. 372070400501
△	Change	'03.09.01 H. I			

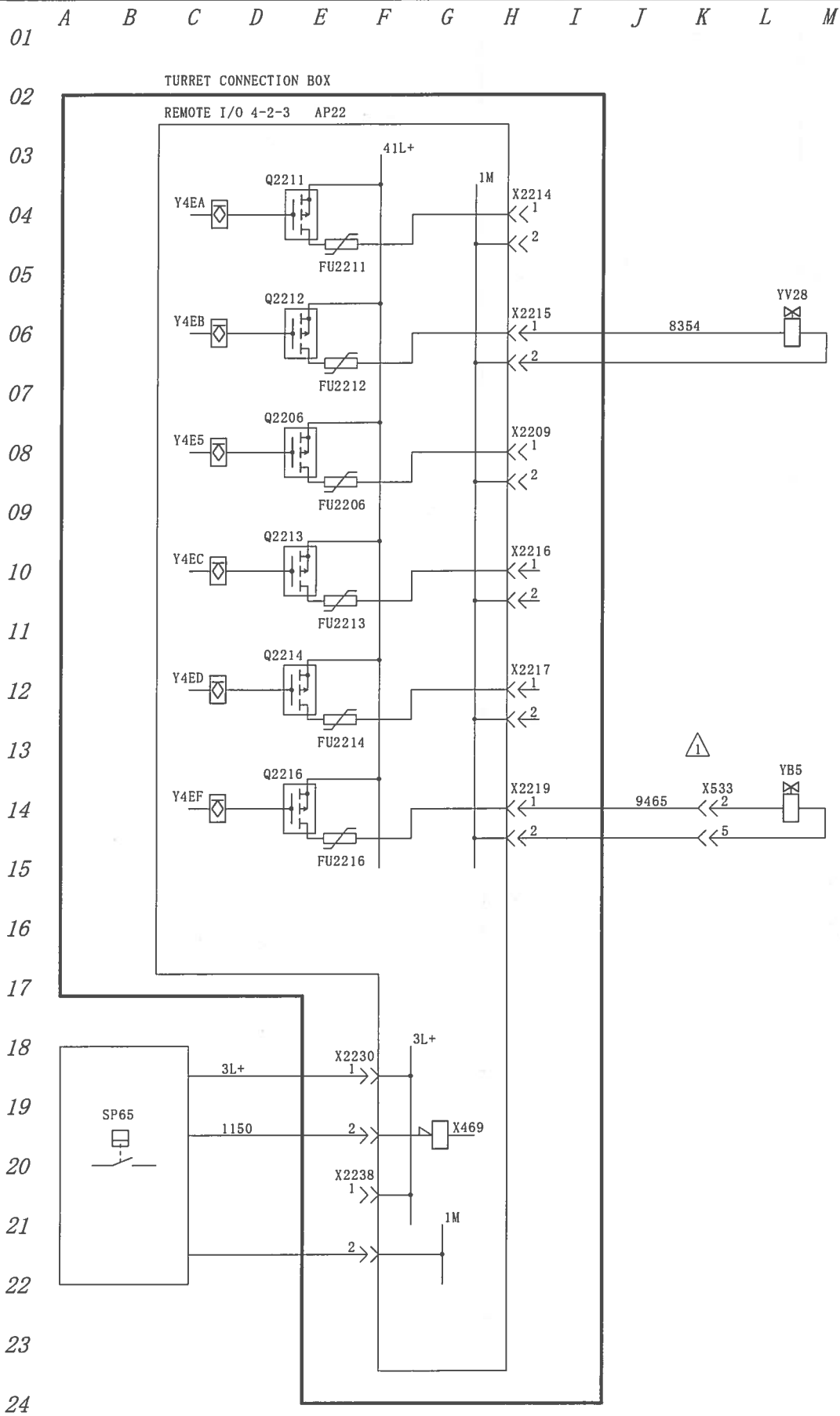


This product is subject to all applicable Japanese Foreign Exchange and Foreign Trade Law
 本品は『外国為替及び外国貿易法』に該当しますので外国に輸出する場合には同法に基づく許可を必要とします。



		Mazak	APR'D BY	CHK'D BY	DRWN BY	TITLE
		YAMAZAKI MAZAK CORPORATION			04/02/18	TURRET SOLENOID 1
	Del.	'03.09.01 H.I	H. GOTO	H. GOTO	H. I. NAGAKI	DRWN NO. 372070400511

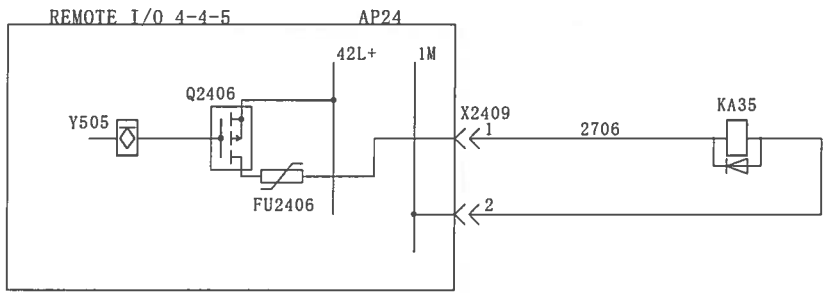
This product is subject to all applicable Japanese Foreign Exchange and Foreign Trade Law
 本品は『外国為替及び外国貿易法』に該当しますので外国に輸出する場合には同法に基づく許可を必要とします。



△			APR'D BY	CHK'D BY	DRWN BY	TITLE
△					04/02/18	TURRET SOLENOID & SENSOR
△			H. GOTO	H. GOTO	H. I. NAGAKI	DRWN NO. 372070400521
△	Add.	'03.09.01 H. I.	 YAMAZAKI MAZAK CORPORATION			

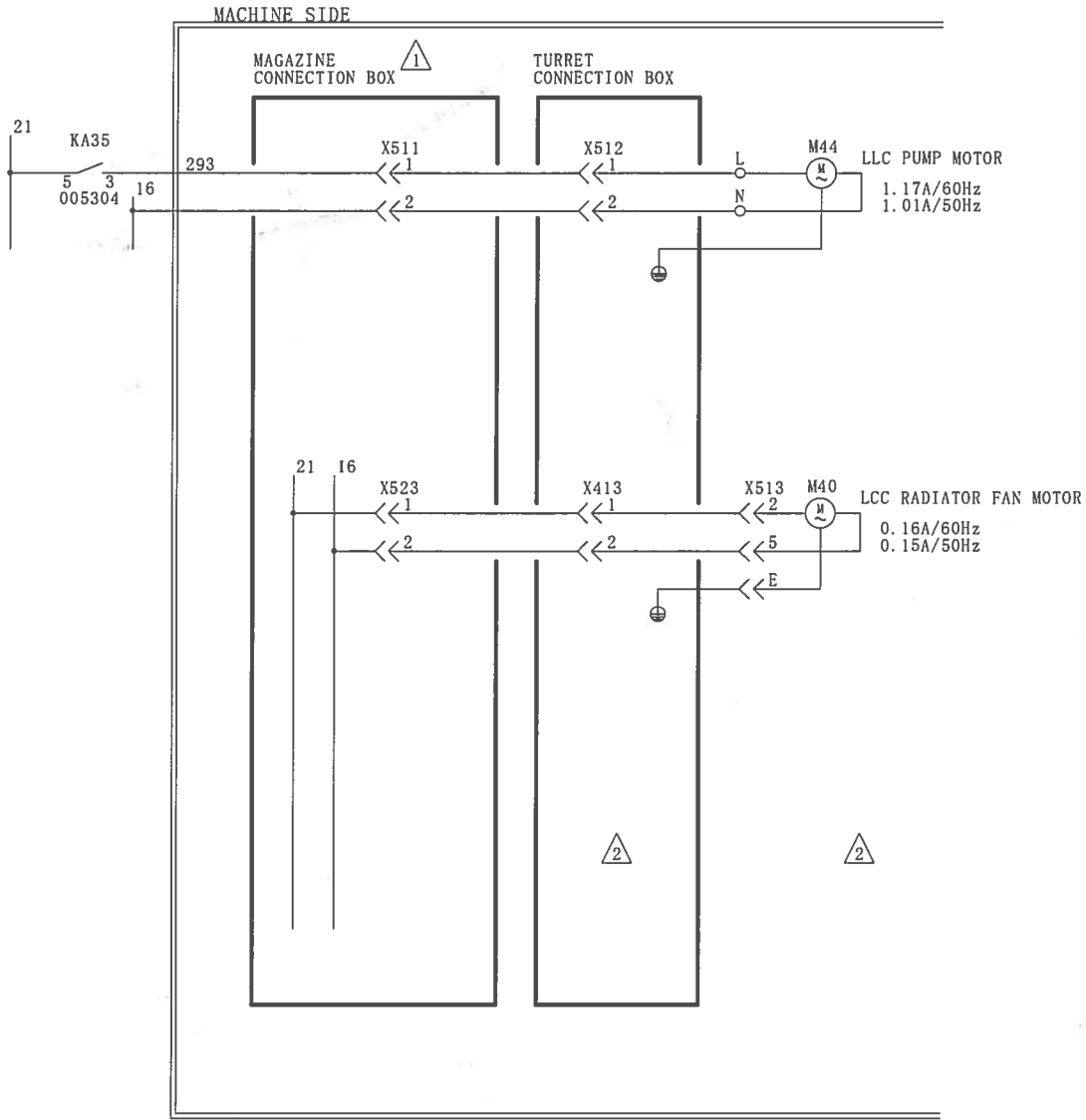
This product is subject to all applicable Japanese Foreign Exchange and Foreign Trade Law
 本品は『外国為替及び外国貿易法』に該当しますので外国に輸出する場合には同法に基づく許可を必要とします。

01
02
03
04
05
06
07
08
09
10
11
12
13
14
15
16
17
18
19
20
21
22
23
24



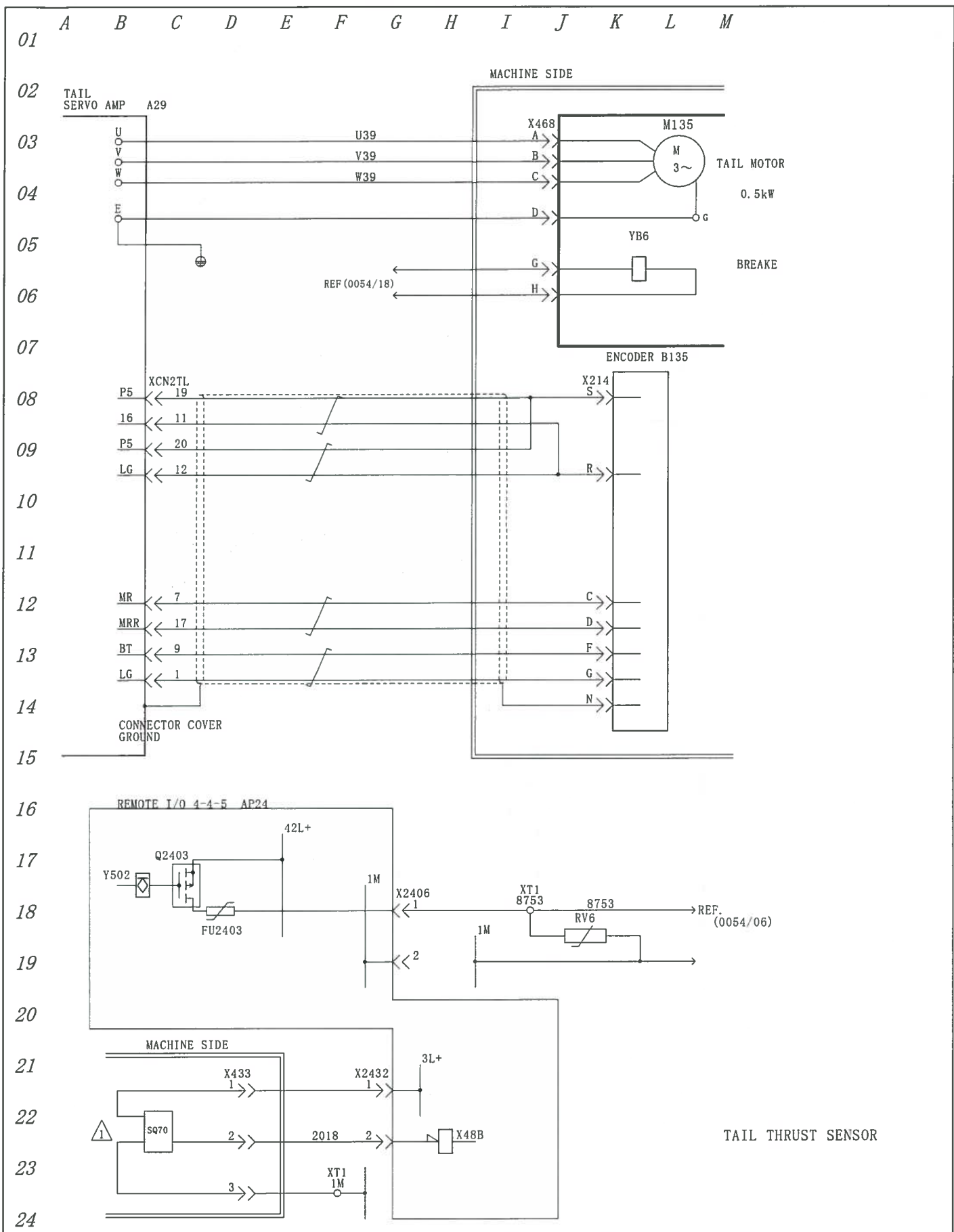
LLC PUMP MOTOR ON

a | 005309
b |



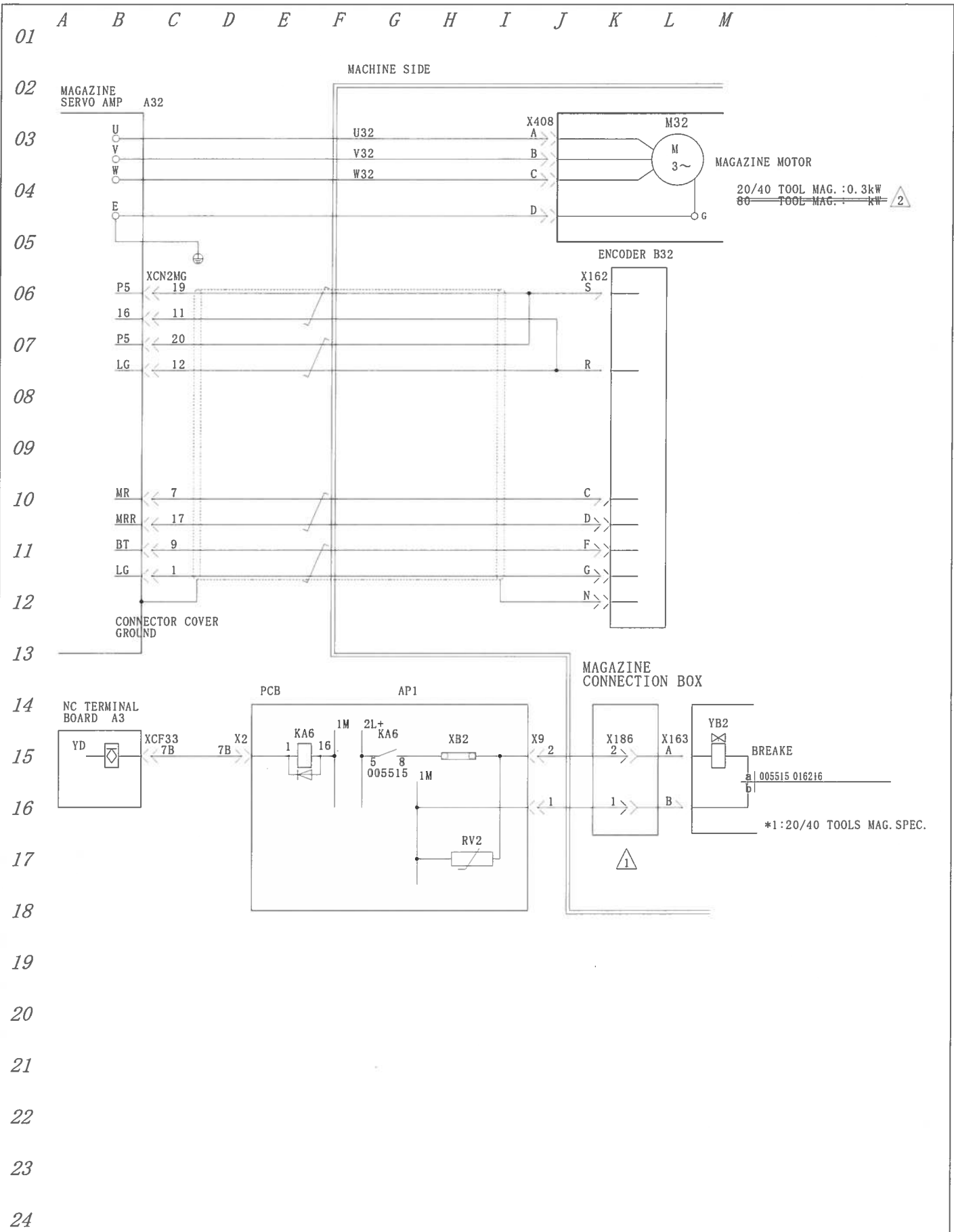
△		APR'D BY	CHK'D BY	DRWN BY	TITLE
△				04/06/28	TURRET COOLING MOTOR
△	DEL.	'04.05.14 H.N.	YAMAZAKI MAZAK CORPORATION	H. GOTO	H. GOTO
△	Change	'03.09.01 H.I.		H. I. NAGAKI	DRWN NO. 372070400532

This product is subject to all applicable Japanese Foreign Exchange and Foreign Trade Law
 本品は『外国為替及び外国貿易法』に該当しますので外国に輸出する場合には同法に基づく許可を必要とします。



△		APR'D BY	CHR'D BY	DRWN BY	TITLE
△				04/06/28	TAIL MOTOR
△		H. GOTO	H. GOTO	H. I. NAGAKI	DRWN NO. 372070400541
△	CHANGE	'04.05.07. H. N.			

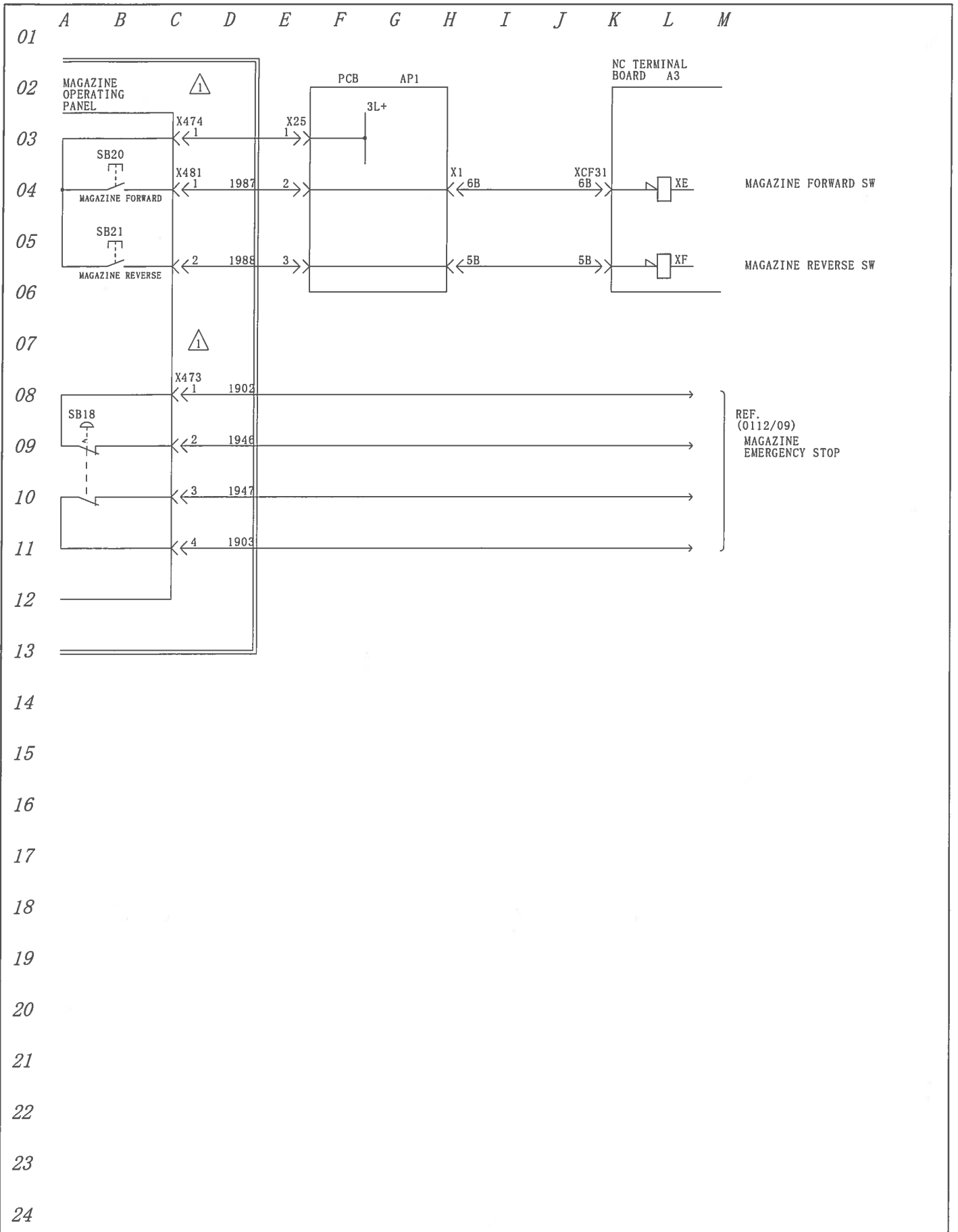
This product is subject to all applicable Japanese Foreign Exchange and Foreign Trade Law
 本品は『外国為替及び外国貿易法』に該当しますので外国に輸出する場合には同法に基づく許可を必要とします。



△		APR'D BY	CHK'D BY	DRWN BY	TITLE
△				04/12/02	MAGAZINE MOTOR
△				H I NAGAKI	△(20/40 TOOLS SPEC.)
△	DEL. 80 TOOL	'04.11.15 H.N			DRWN NO. 372070400552
△	Change	'03.09.01 H.I			

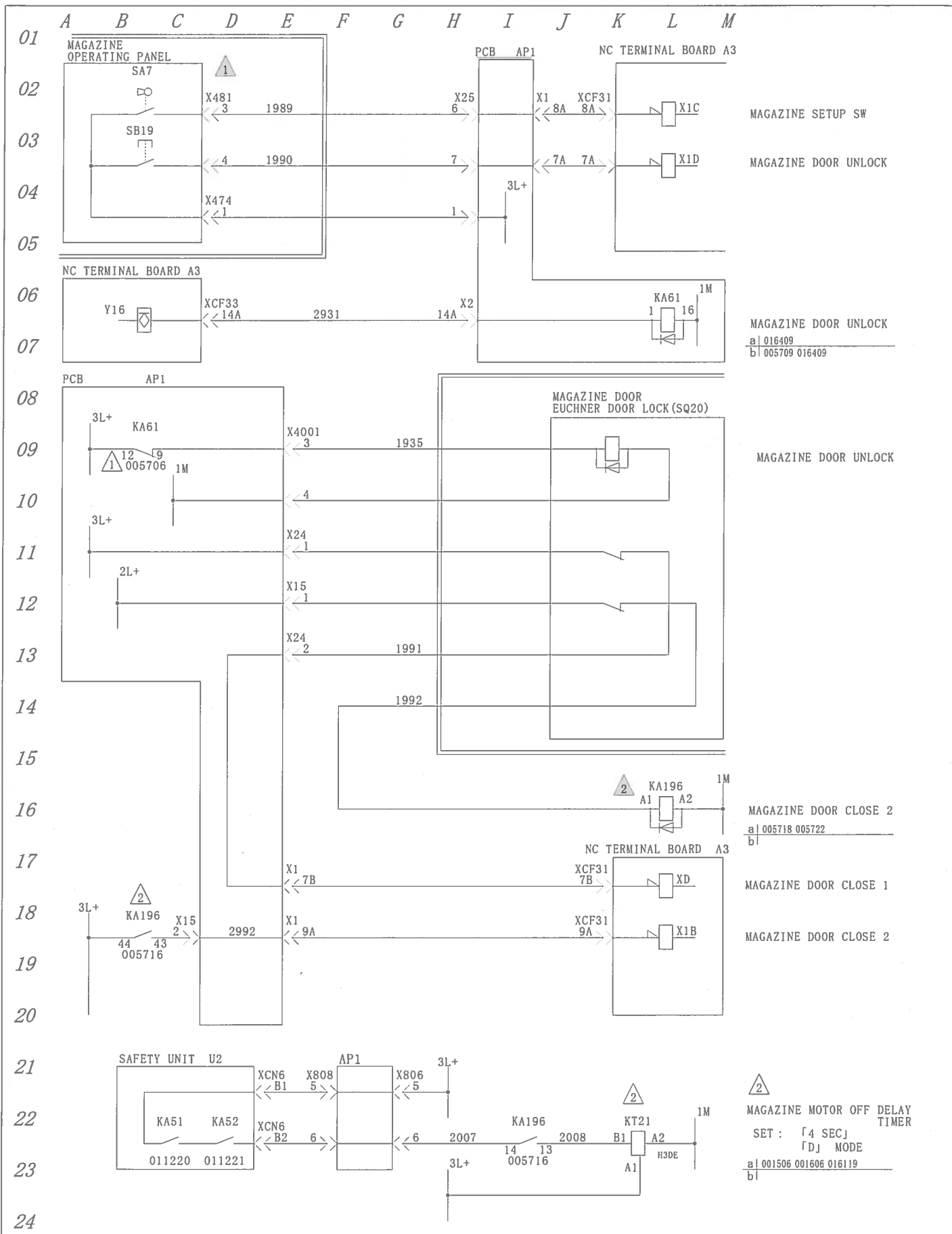
This product is subject to all applicable Japanese Foreign Exchange and Foreign Trade Law
 本品は『外国為替及び外国貿易法』に該当しますので外国に輸出する場合には同法に基づく許可を必要とします。





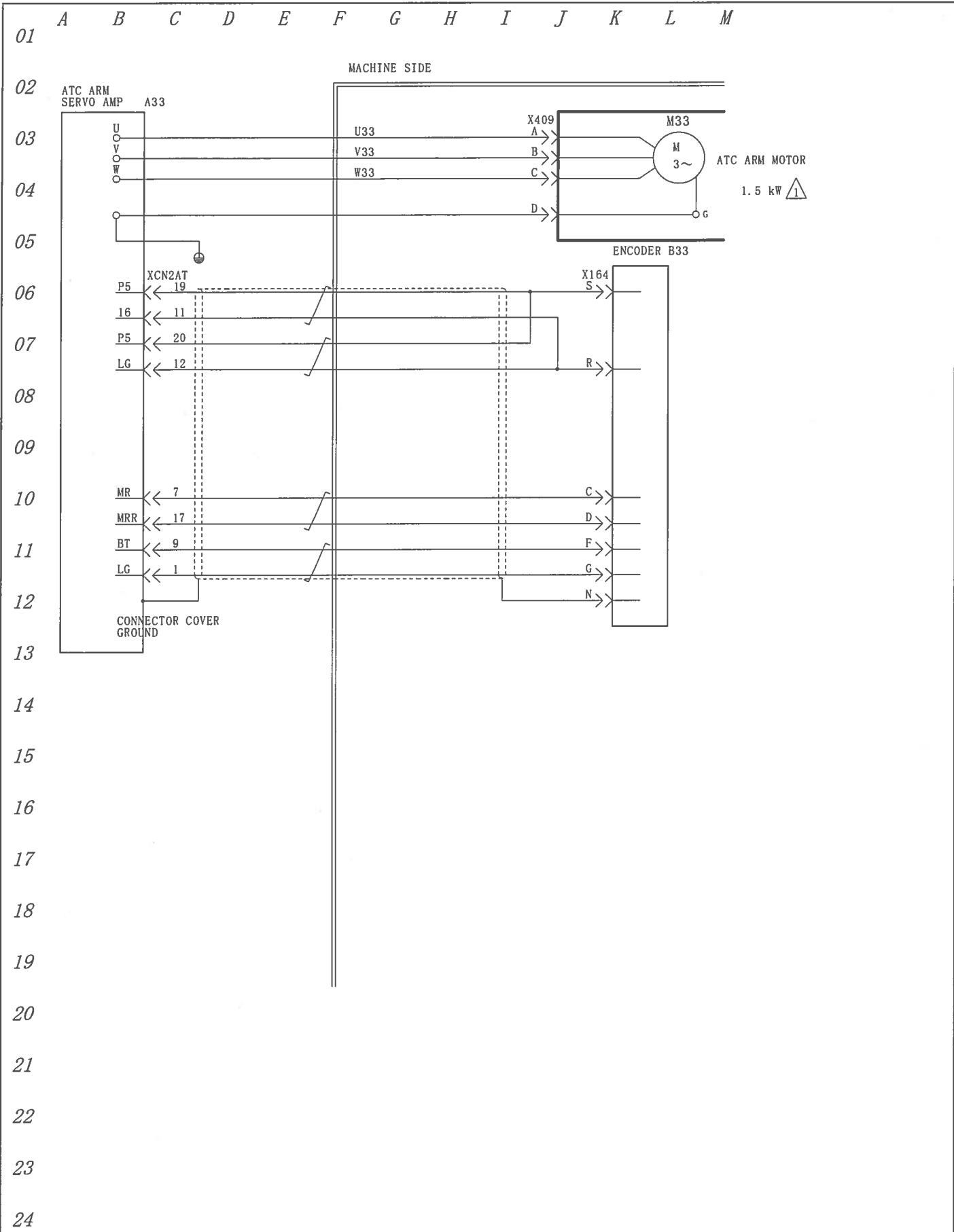
△		 YAMAZAKI MAZAK CORPORATION	APR'D BY	CHK'D BY	DRWN BY	TITLE
△					04/02/18	MAGAZINE OPERATING PANEL (20/40 TOOLS SPEC.)
△			H. GOTO	H. GOTO	H. I. NAGAKI	DRWN NO. 372070400561
△	Add.		'03.09.01 H. I.			

This product is subject to all applicable Japanese Foreign Exchange and Foreign Trade Law
 本品は『外国為替及び外国貿易法』に該当しますので外国に輸出する場合には同法に基づく許可を必要とします。



△		APR'D BY	CHK'D BY	DRWN BY	TITLE
△				04/12/02	MAGAZINE DOOR CIRCUIT (20/40 TOOLS)
△				H I NAGAKI	DRWN NO. 372070400572
△	Add. POWER CUT CURCUIT '04.10.30 H.N	H GOTO	H GOTO		
△	Change '03.09.01 H. I				

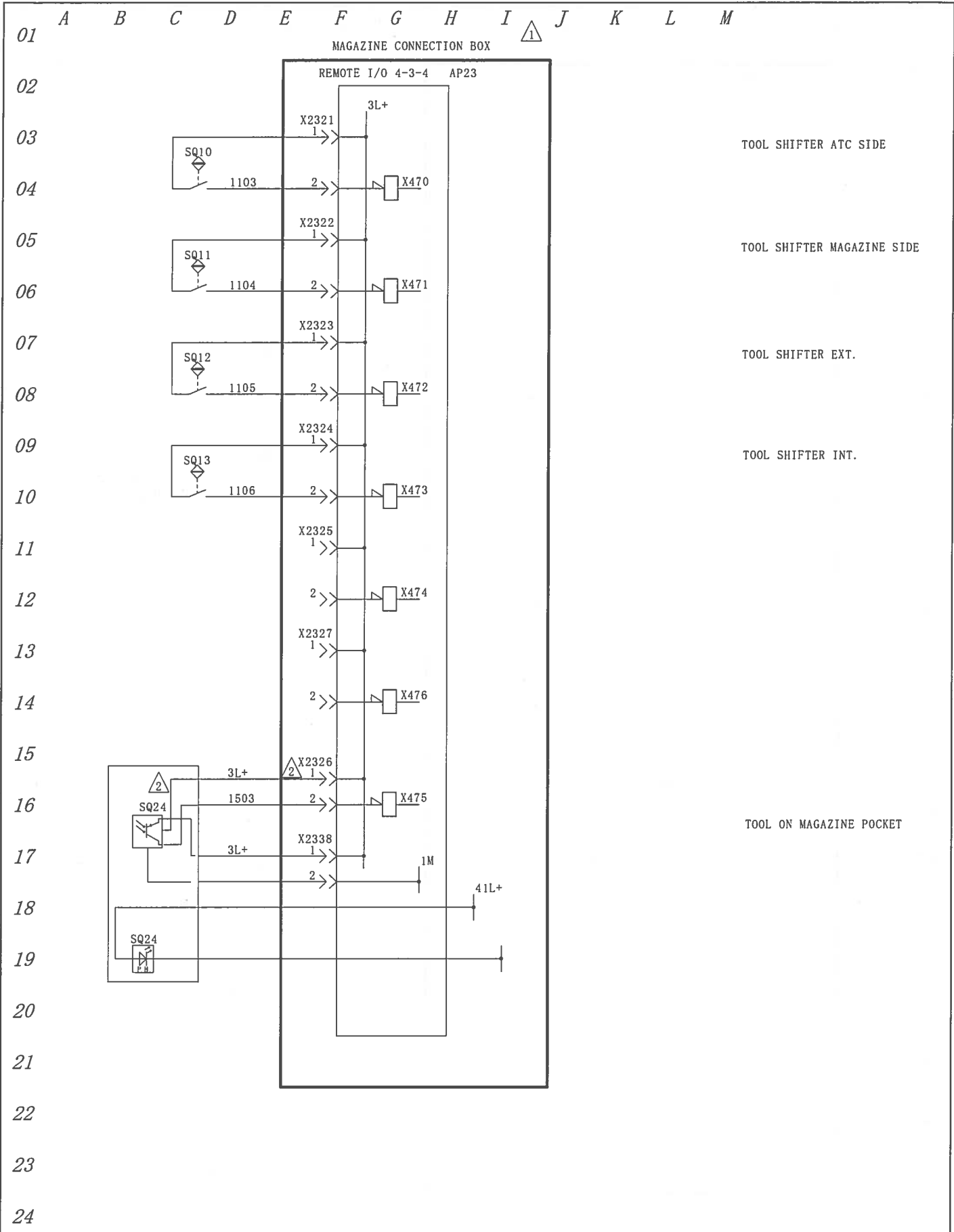
This product is subject to all applicable Japanese Foreign Exchange and Foreign Trade Law
 本品は『外国為替及び外国貿易法』に該当しますので外国に輸出する場合には同法に基づく許可を必要とします。



△			APR'D BY	CHK'D BY	DRWN BY	TITLE
△					04/06/28	ATC ARM MOTOR
△			H GOTO	H GOTO	H I NAGAKI	DRWN NO. 372070400601
△	CHANGE	'04.05.14 H.N				

This product is subject to all applicable Japanese Foreign Exchange and Foreign Trade Law
 本品は『外国為替及び外国貿易法』に該当しますので外国に輸出する場合には同法に基づく許可を必要とします。

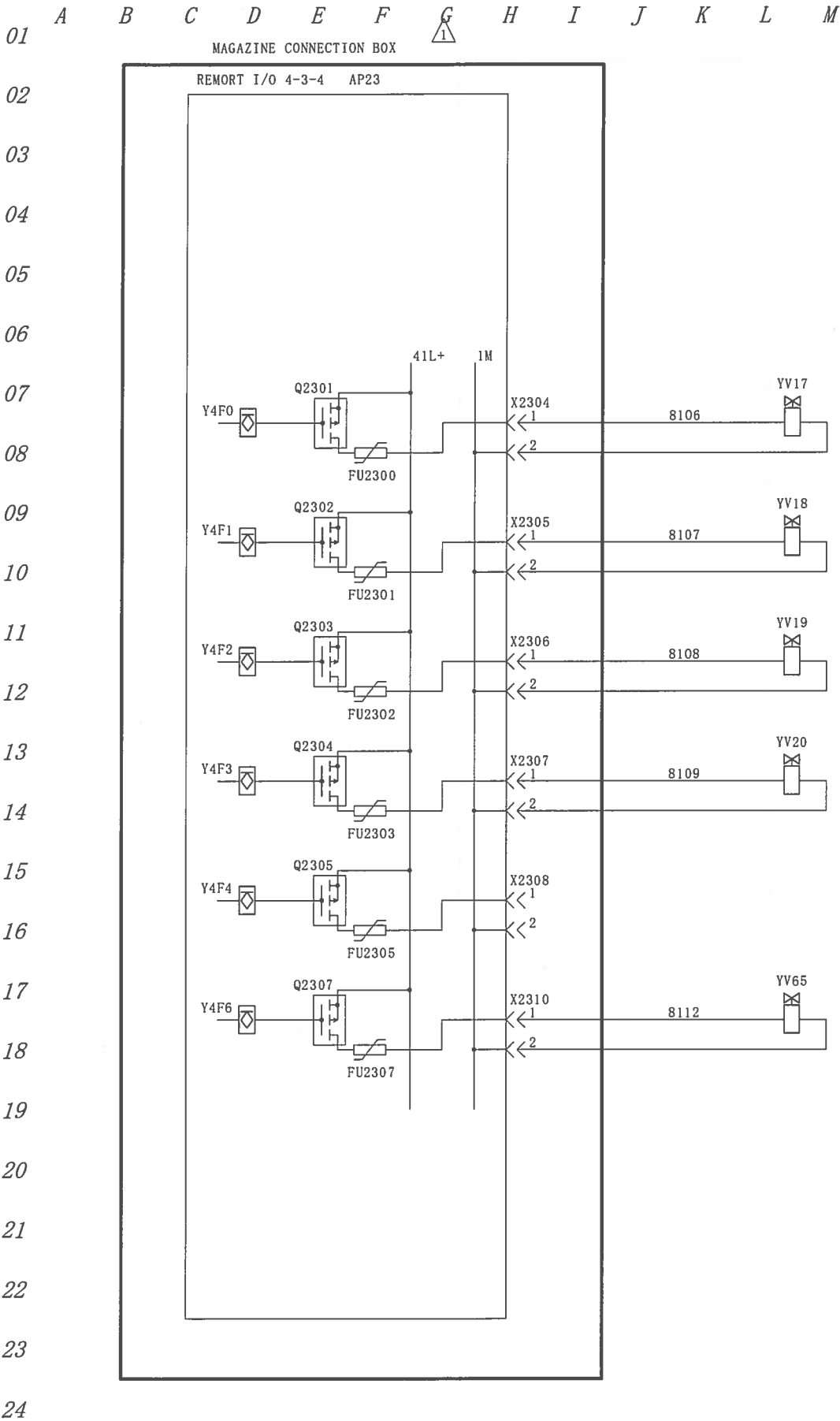




△		APR'D BY	CHK'D BY	DRWN BY	TITLE
△				04/06/28	TOOL SHIFTER(1)
△				H I NAGAKI	DRWN NO.
△	CHANGE SQ24	'04.05.14 H.N			372070400612
△	Change	'03.09.01 H.I			

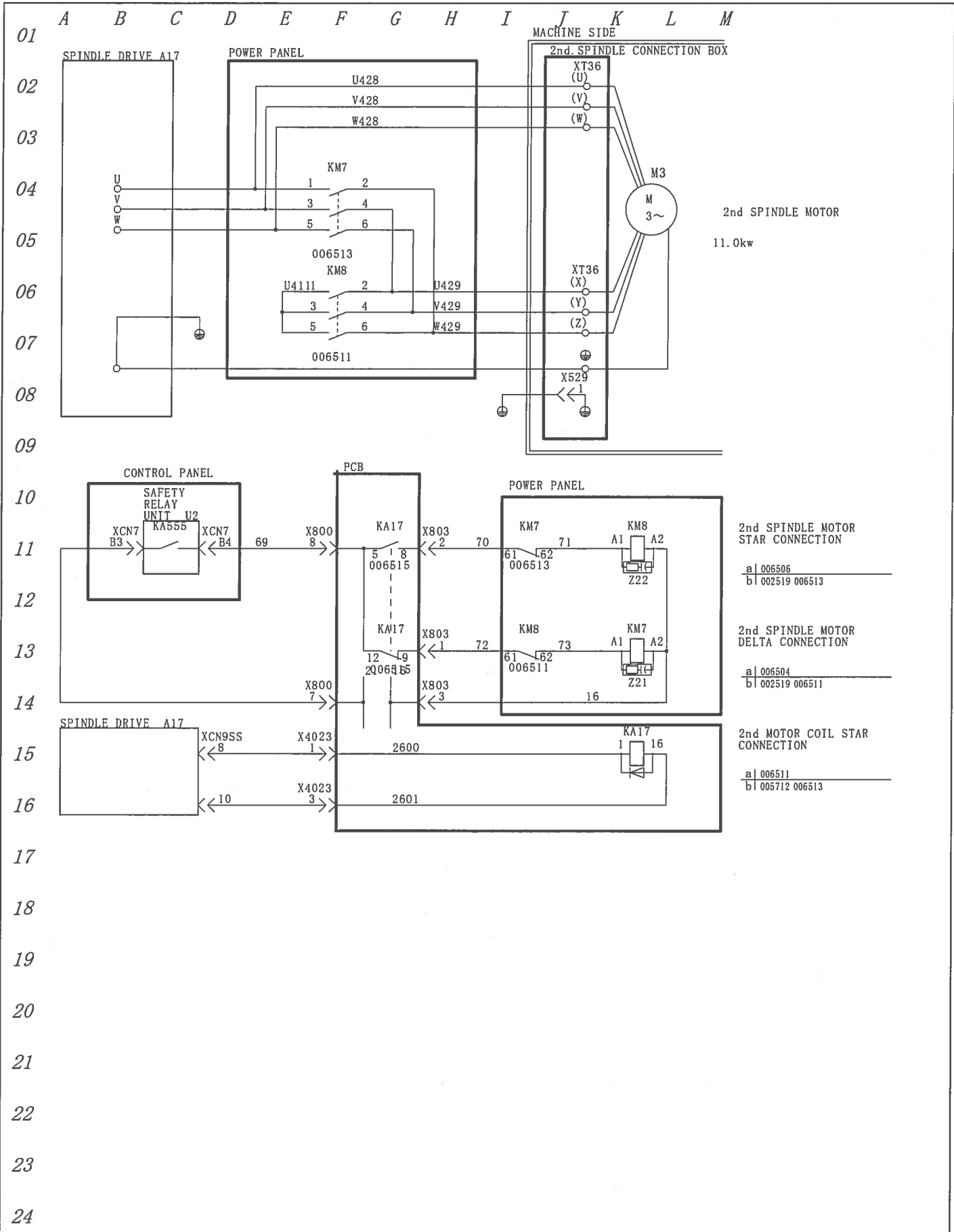


This product is subject to all applicable Japanese Foreign Exchange and Foreign Trade Law
 本品は『外国為替及び外国貿易法』に該当しますので外国に輸出する場合には同法に基づく許可を必要とします。



△			APR'D BY	CHK'D BY	DRWN BY	TITLE
△					04/02/18	TOOL SHIFTER(2)
△			H GOTO	H GOTO	H I NAGAKI	DRWN NO. 372070400621
△	Change	'03.09.01 H. I				

This product is subject to all applicable Japanese Foreign Exchange and Foreign Trade Law
 本品は『外国為替及び外国貿易法』に該当しますので外国に輸出する場合には同法に基づく許可を必要とします。



2nd SPINDLE MOTOR STAR CONNECTION

- a| 006506
- b| 002519 006513

2nd SPINDLE MOTOR DELTA CONNECTION

- a| 006504
- b| 002519 006511

2nd MOTOR COIL STAR CONNECTION

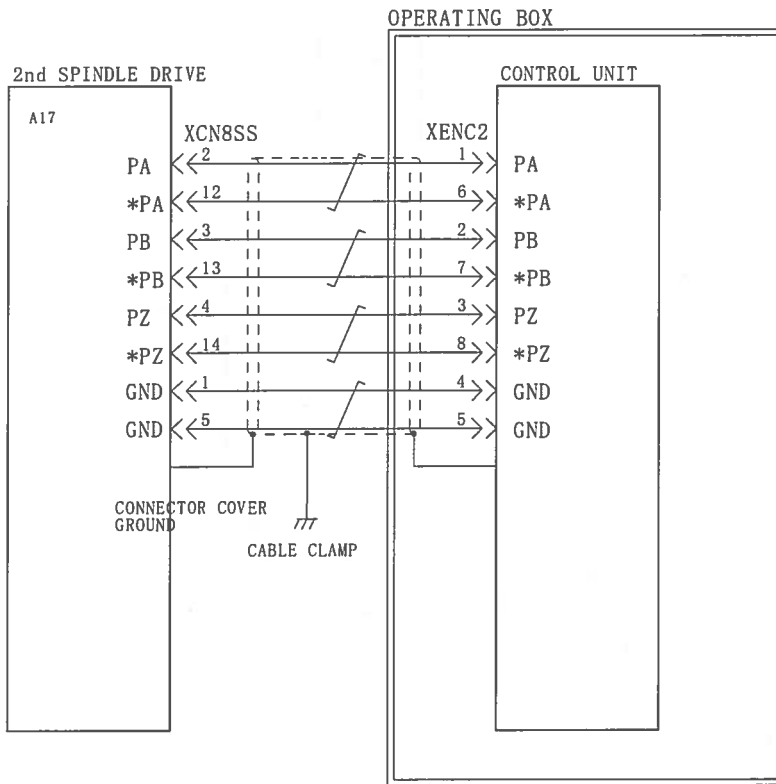
- a| 006511
- b| 005712 006513

	Mazak YAMAZAKI MAZAK CORPORATION	APR'D BY	CHK'D BY	DRWN BY	TITLE
		H GOTO	H GOTO	03/07/08 H I NAGAKI	2nd SPINDLE MOTOR
					DRWN NO. 372070400650

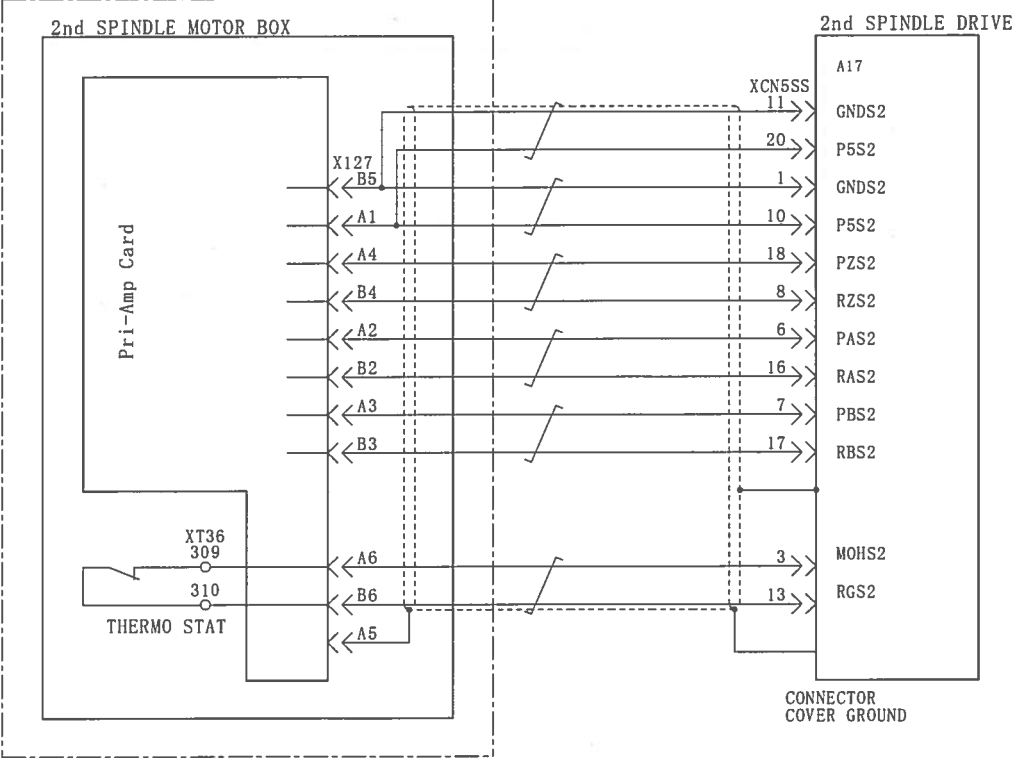
This product is subject to all applicable Japanese Foreign Exchange and Foreign Trade Law
 本品は『外国為替及び外国貿易法』に該当しますので外国に輸出する場合には同法に基づく許可を必要とします。

01 A B C D E F G H I J K L M

02
03
04
05
06
07
08
09
10
11
12
13
14
15
16
17
18
19
20
21
22
23
24



MACHINE SIDE



△		 YAMAZAKI MAZAK CORPORATION	APR'D BY	CHK'D BY	DRWN BY	TITLE
△			H GOTO	H GOTO	H I NAGAKI	2nd SPINDLE FEED BACK (PLG spec.)
△						03/07/08
△						DRWN NO.
△						372070400660

This product is subject to all applicable Japanese Foreign Exchange and Foreign Trade Law
 本品は『外国為替及び外国貿易法』に該当しますので外国に輸出する場合には同法に基づく許可を必要とします。

01
02
03
04
05
06
07
08
09
10
11
12
13
14
15
16
17
18
19
20
21
22
23
24

ANALOG TYPE(ERM 280)CONNECTION

MACHINE SIDE

2nd SPINDLE
DRIVE A17

2nd SPINDLE
CONNECTION BOX

PULSE SIGNAL GENERATOR
B301

XCN5SS
PA << 6
RA* << 16
PB << 7
RB* << 17
P5 << 10
GND << 1
P5 << 20
GND << 11
RZ* << 8
PZ << 18

X281
1 >>
2 >>
3 >>
4 >>
5 >>
6 >>
7 >>
8 >>
9 >>
10 >>

A+(BROWN)
A-(GREEN)
B+(GREY)
B-(PINK)
5V(UP) (BROWN/GREEN)
0V(U) (WHITE/GREEN)
5V(SENSOR) (BLUE)
0V(SENSOR) (WHITE)
R-(BLACK)
R+(RED)

2nd. SPINDLE
FEED BACK
(ANALOG TYPE(ERM 280))

MOH << 3
RG << 13

11 >>
12 >>

XT36
309
310

2nd. SPINDLE MOTOR
OVER HEAT
(ANALOG TYPE(ERM 280))

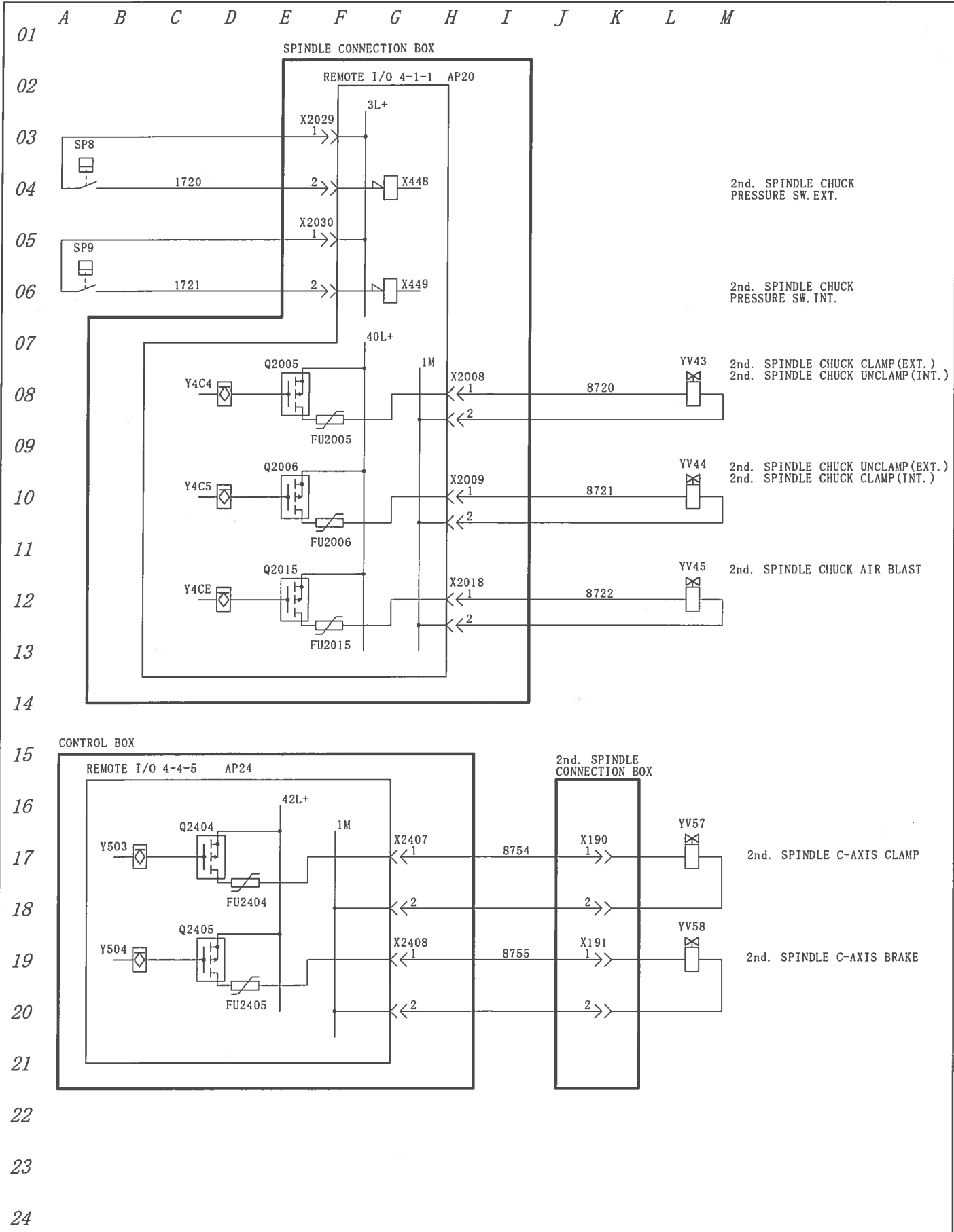
CONNECTOR
COVER GROUND

CONNECTOR
COVER GROUND

CONNECTOR
COVER GROUND

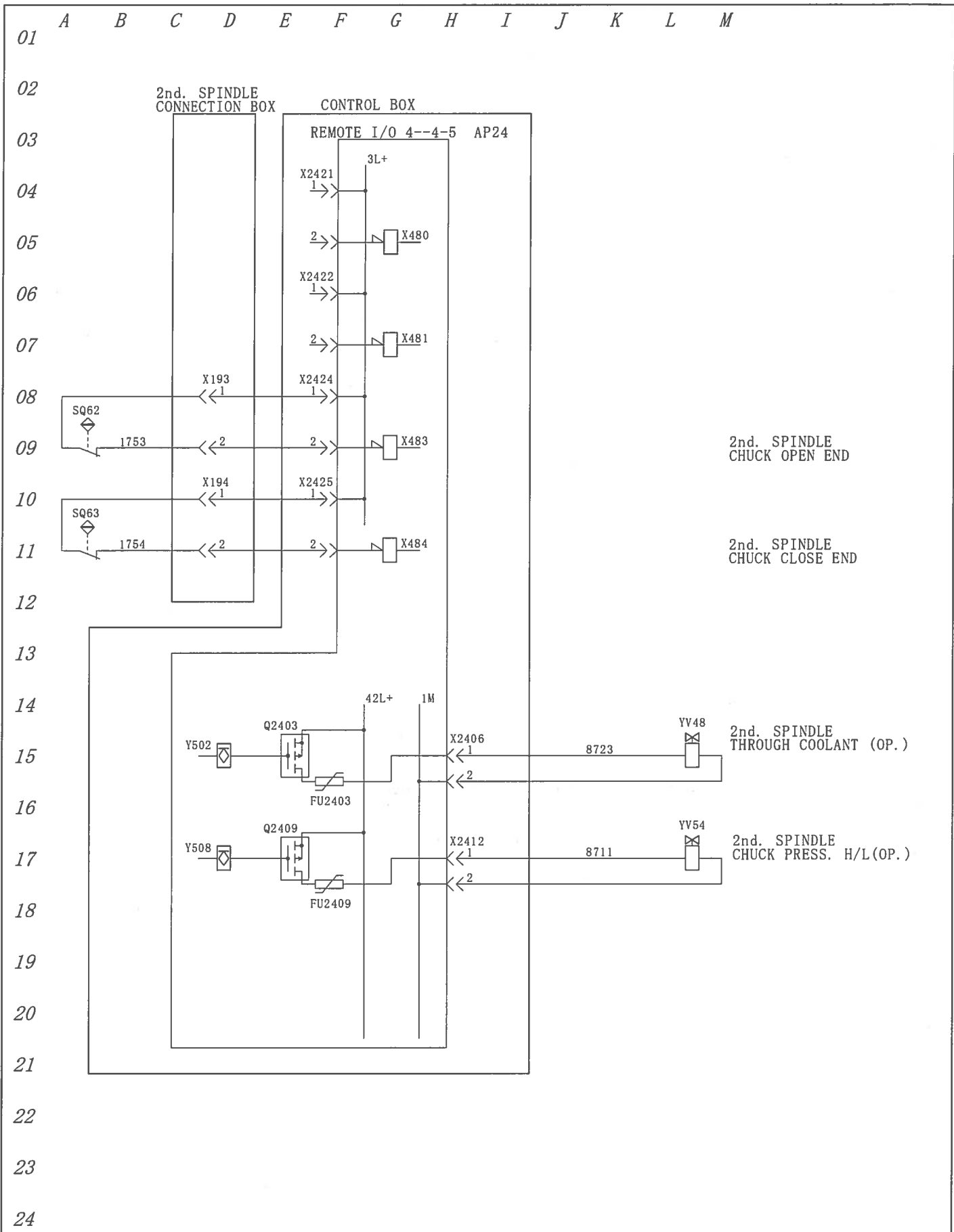
△		APR'D BY	CHK'D BY	DRWN BY	TITLE
△				03/07/08	2nd SPINDLE FEED BACK 2 (C-AXIS SPEC.)
△		H GOTO	H GOTO	H I NAGAKI	DRWN NO. 372070400670
△		Mazak YAMAZAKI MAZAK CORPORATION			


This product is subject to all applicable Japanese Foreign Exchange and Foreign Trade Law
 本品は『外国為替及び外国貿易法』に該当しますので外国に輸出する場合には同法に基づく許可を必要とします。



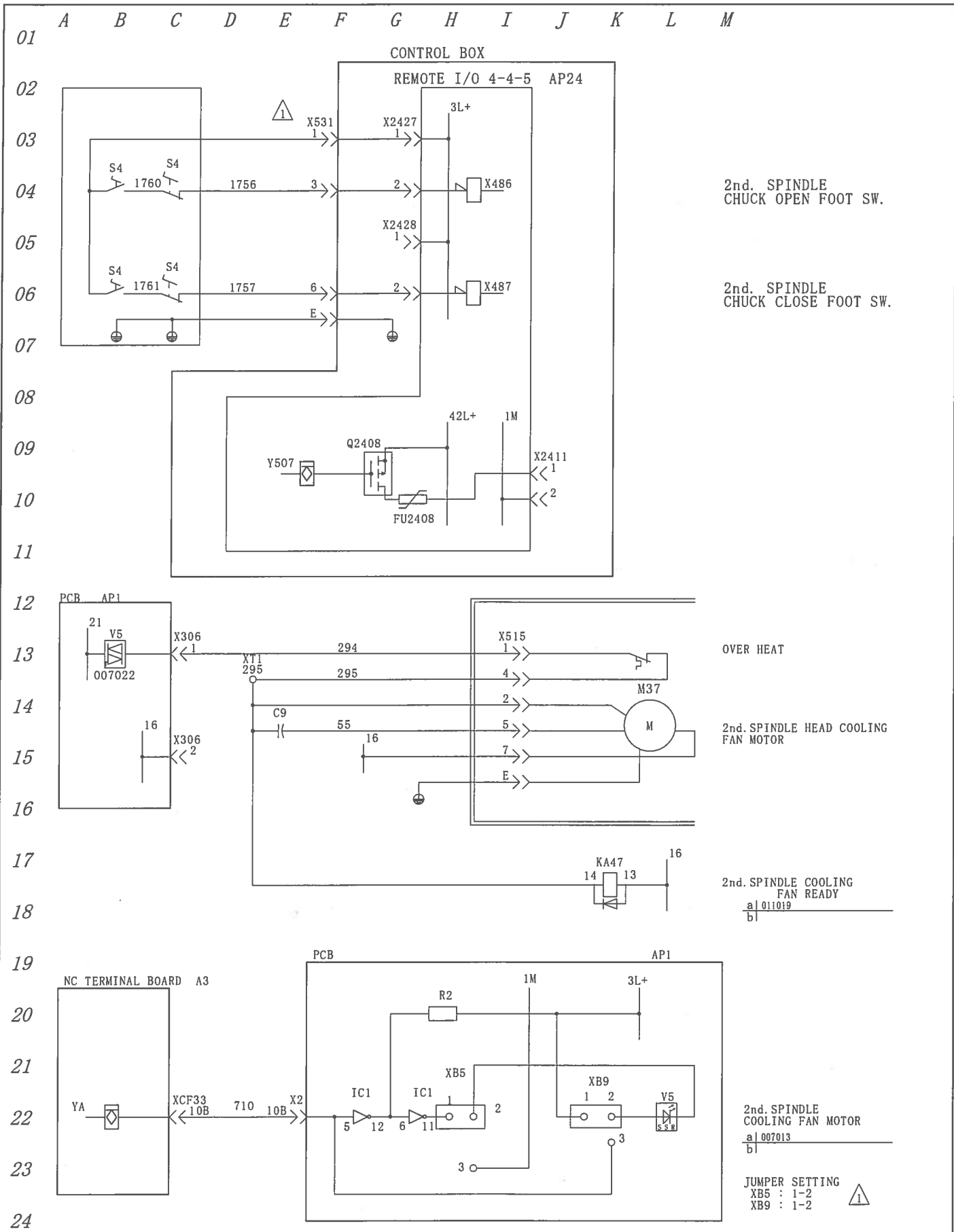
APR' D BY	CHK' D BY	DRWN BY	TITLE
H GOTO	H GOTO	H I NAGAKI	2nd SPINDLE C-AXIS CLAMP/UNCLAMP
		03/07/08	DRWN NO. 372070400680

This product is subject to all applicable Japanese Foreign Exchange and Foreign Trade Law
 本品は『外国為替及び外国貿易法』に該当しますので外国に輸出する場合には同法に基づく許可を必要とします。



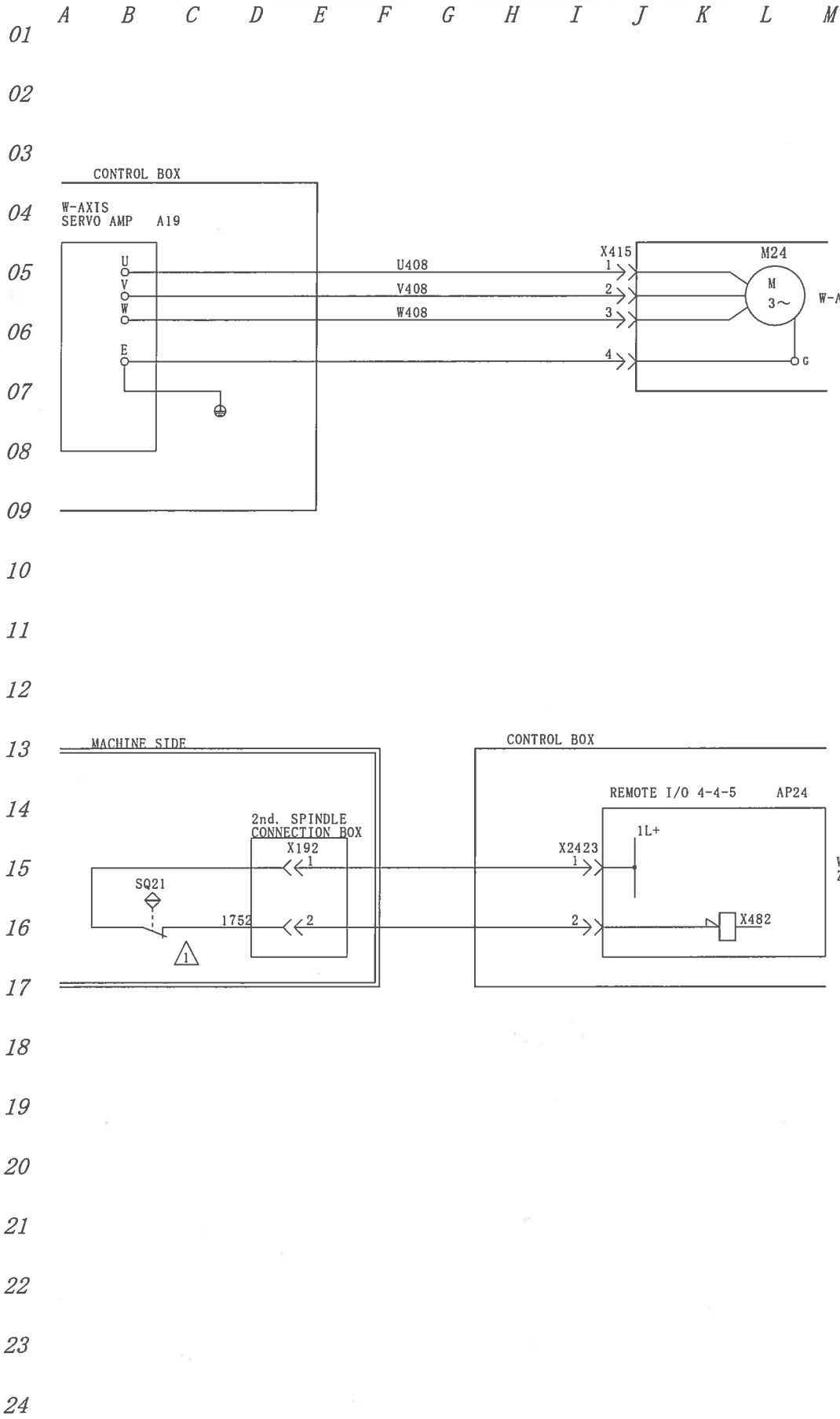
△		 YAMAZAKI MAZAK CORPORATION	APR'D BY	CHK'D BY	DRWN BY	TITLE
△			H GOTO	H GOTO	H I NAGAKI	2nd. SPINDLE SOLENOID/SENSOR
△						03/07/08
△						DRWN NO.
△						372070400690

This product is subject to all applicable Japanese Foreign Exchange and Foreign Trade Law
 本品は『外国為替及び外国貿易法』に該当しますので外国に輸出する場合には同法に基づく許可を必要とします。



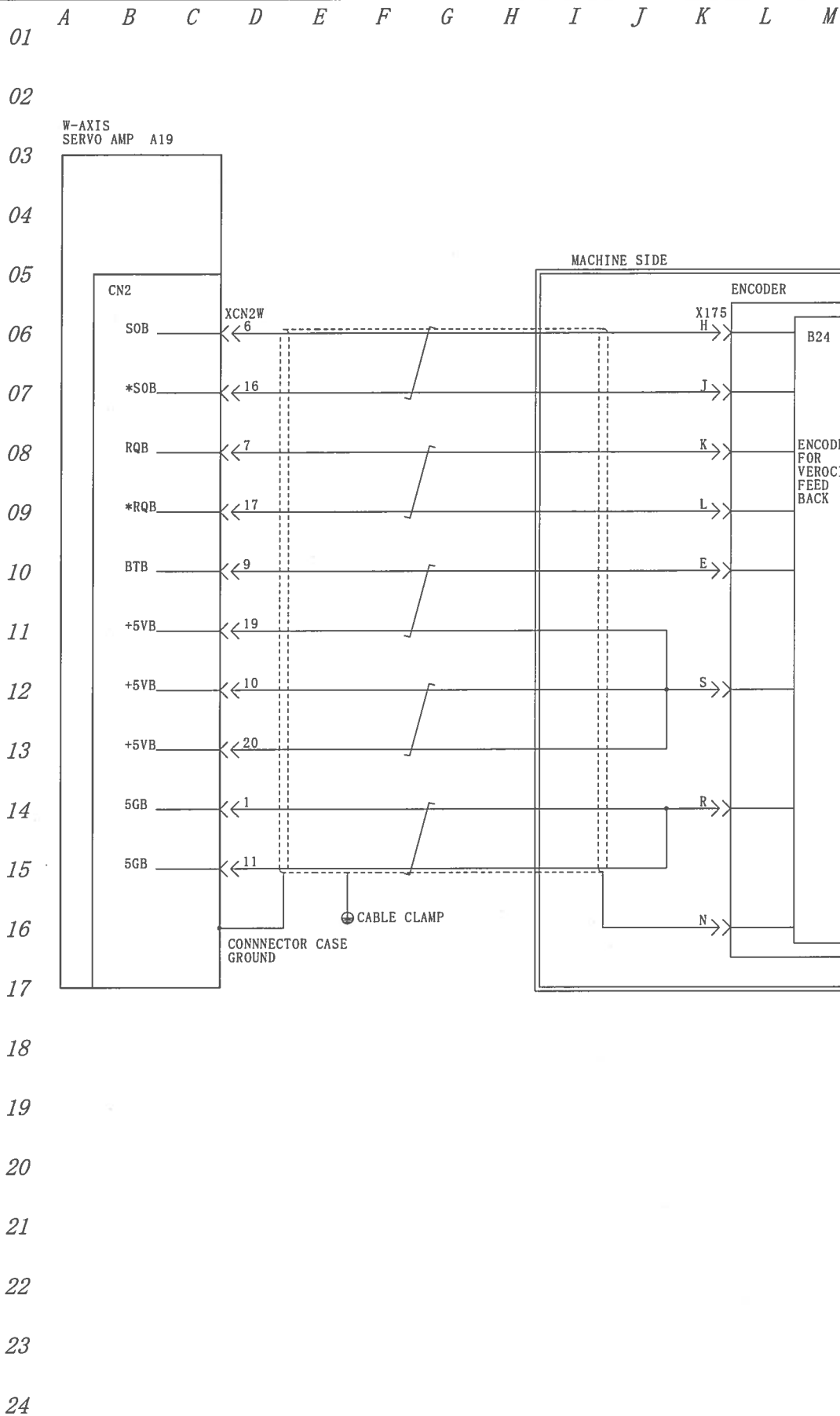
			Mazak YAMAZAKI MAZAK CORPORATION		APR'D BY H. GOTO	CHK'D BY H. GOTO	DRWN BY H. INAGAKI	TITLE 2nd SPINDLE PC I INPUT CHUCK
Add. X531, JUMPER SET '03.06.09 H. I							04/02/18	DRWN NO. 372070400701

This product is subject to all applicable Japanese Foreign Exchange and Foreign Trade Law
 本品は『外国為替及び外国貿易法』に該当しますので外国に輸出する場合には同法に基づく許可を必要とします。



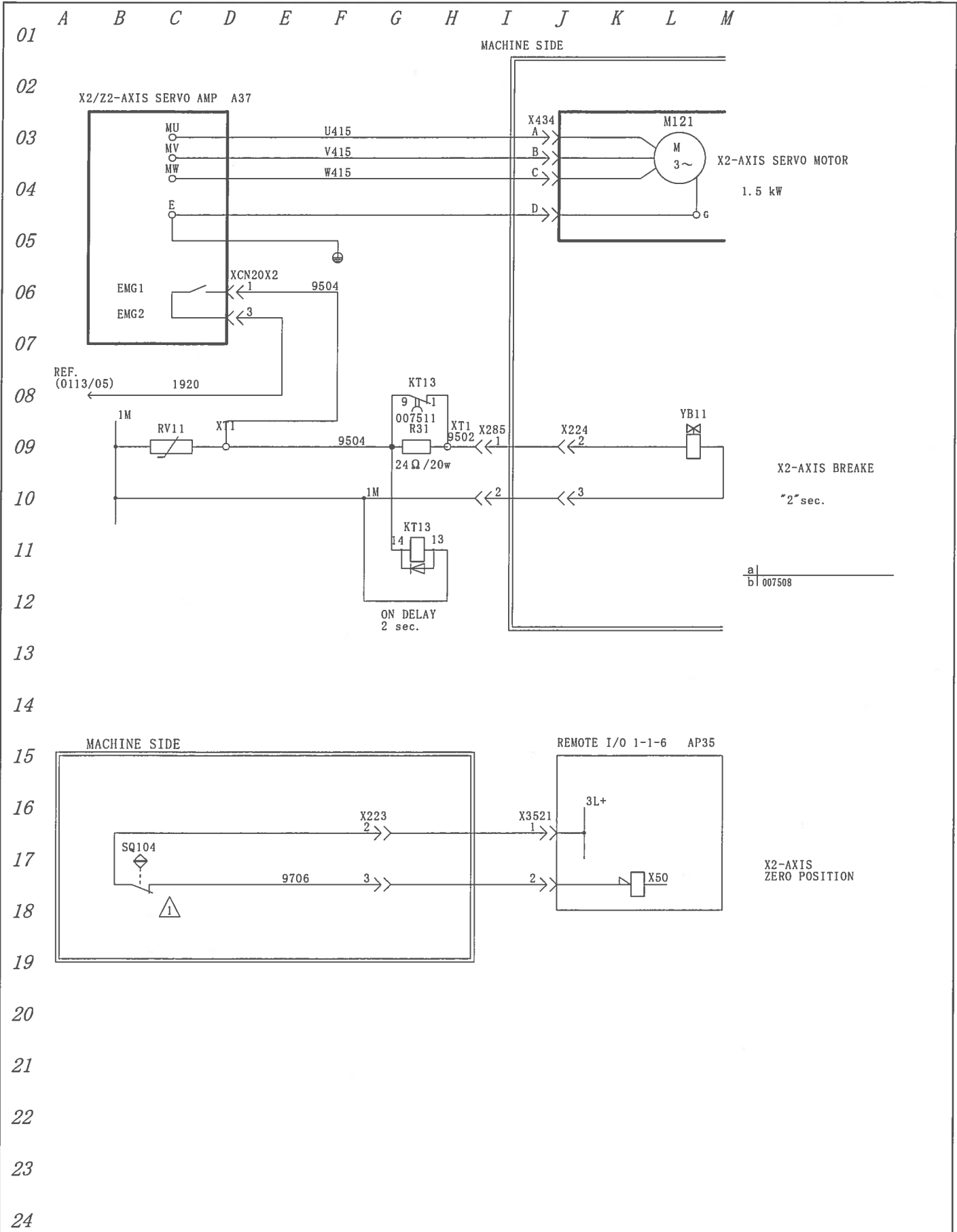
△		 Mazak YAMAZAKI MAZAK CORPORATION	APR'D BY	CHK'D BY	DRWN BY	TITLE
△					04/02/18	W-AXIS SERVO MOTOR (S/ST SPEC.)
△			H GOTO	H GOTO	H I NAGAKI	DRWN NO. 372070400711
△						
△	Change		'03.09.01 H.I			

This product is subject to all applicable Japanese Foreign Exchange and Foreign Trade Law
 本品は『外国為替及び外国貿易法』に該当しますので外国に輸出する場合には同法に基づく許可を必要とします。



△		 YAMAZAKI MAZAK CORPORATION	APR'D BY	CHK'D BY	DRWN BY	TITLE
△					03/07/08	W-AXIS SERVO MOTOR ENCODER
△			H. GOTO	H. GOTO	H. I. NAGAKI	DRWN NO. 372070400720
△						
△						

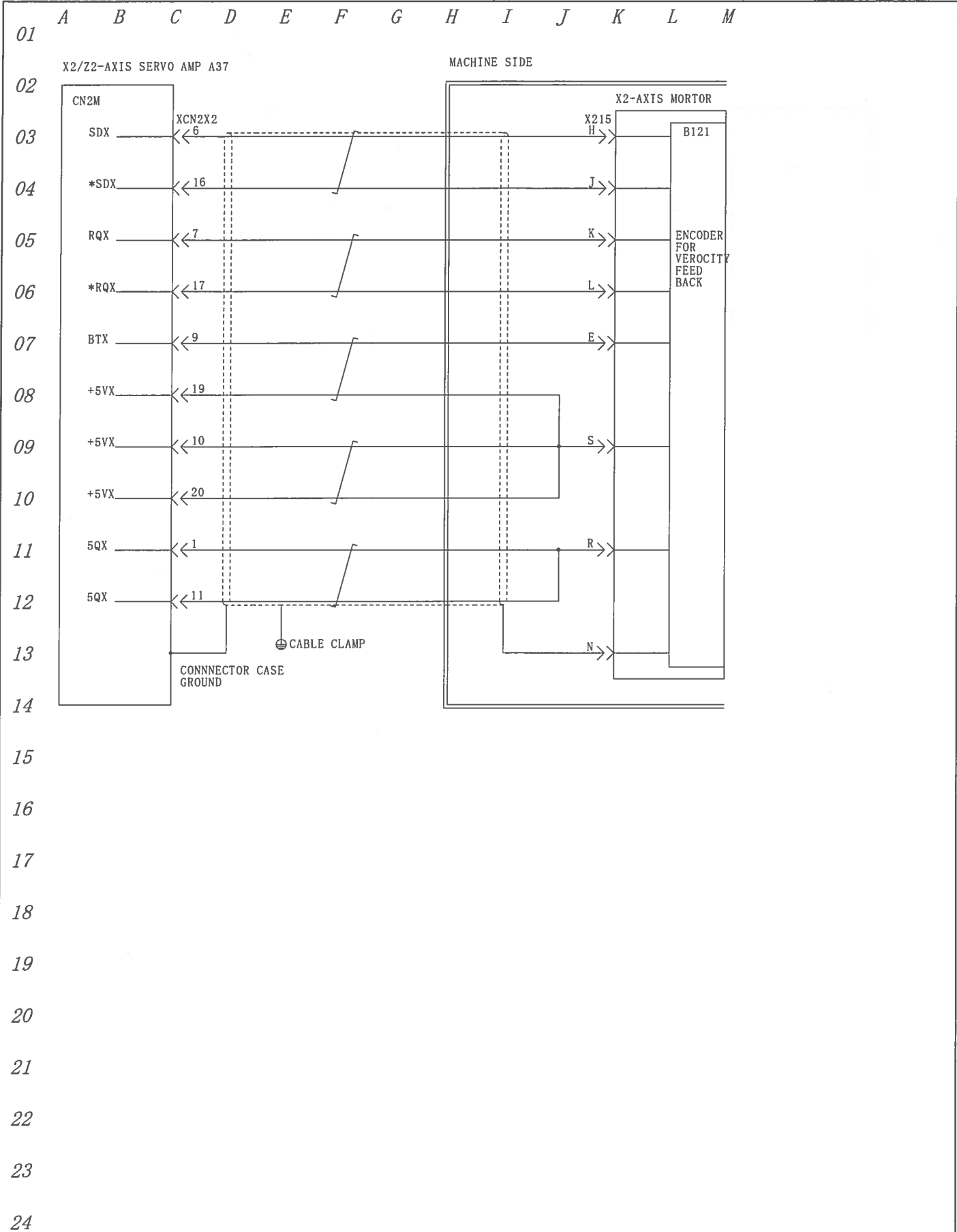
This product is subject to all applicable Japanese Foreign Exchange and Foreign Trade Law
 本品は『外国為替及び外国貿易法』に該当しますので外国に輸出する場合には同法に基づく許可を必要とします。



△			APR'D BY	CHK'D BY	DRWN BY	TITLE
△					04/02/18	X2-AXIS SERVO MOTOR
△			H GOTO	H GOTO	H I NAGAKI	DRWN NO. 372070400751
△	Change	'03.09.01 H.I				

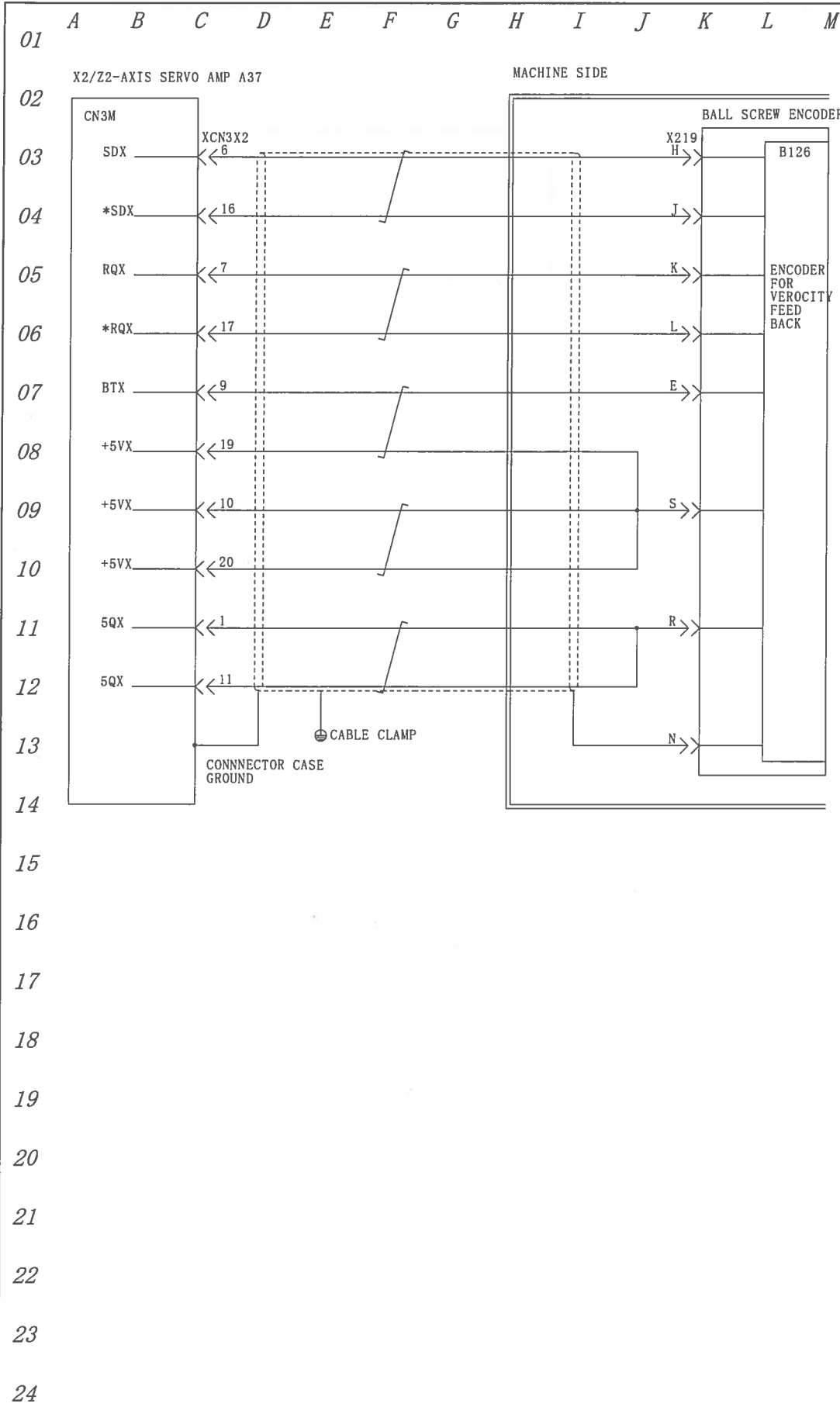



This product is subject to all applicable Japanese Foreign Exchange and Foreign Trade Law
 本品は『外国為替及び外国貿易法』に該当しますので外国に輸出する場合には同法に基づく許可を必要とします。



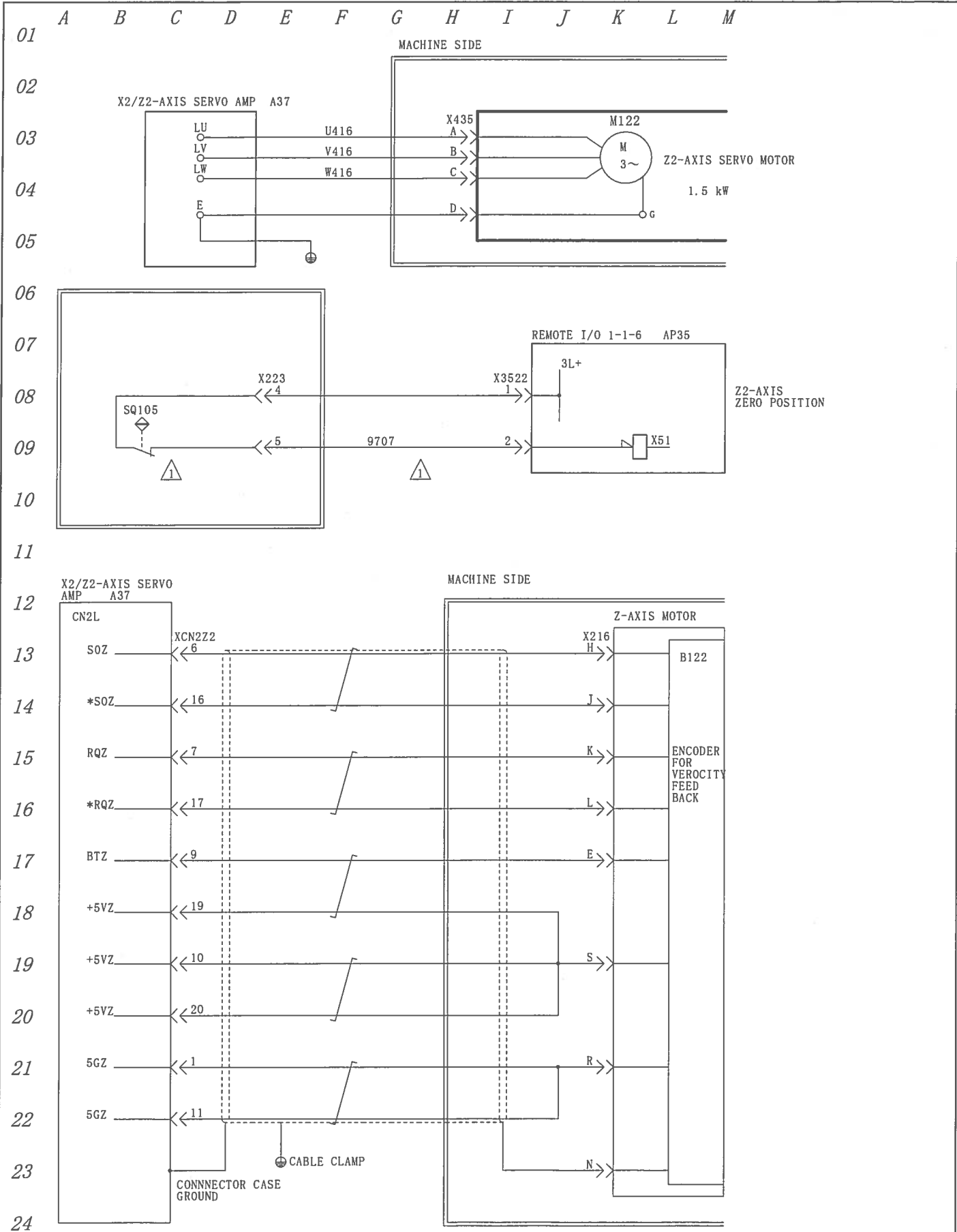
△		 YAMAZAKI MAZAK CORPORATION	APR'D BY	CHK'D BY	DRWN BY	TITLE
△			H. GOTO	H. GOTO	H. I. NAGAKI	X2-AXIS ENCODER (MOTOR END)
△						DRWN NO. 372070400760
△						
△						

This product is subject to all applicable Japanese Foreign Exchange and Foreign Trade Law
 本品は『外国為替及び外国貿易法』に該当しますので外国に輸出する場合には同法に基づく許可を必要とします。



△		 YAMAZAKI MAZAK CORPORATION	APR'D BY	CHK'D BY	DRWN BY	TITLE
△					03/07/08	X2-AXIS ENCODER (BALL SCREW END)
△			H GOTO	H GOTO	H I NAGAKI	DRWN NO. 372070400770
△						
△						

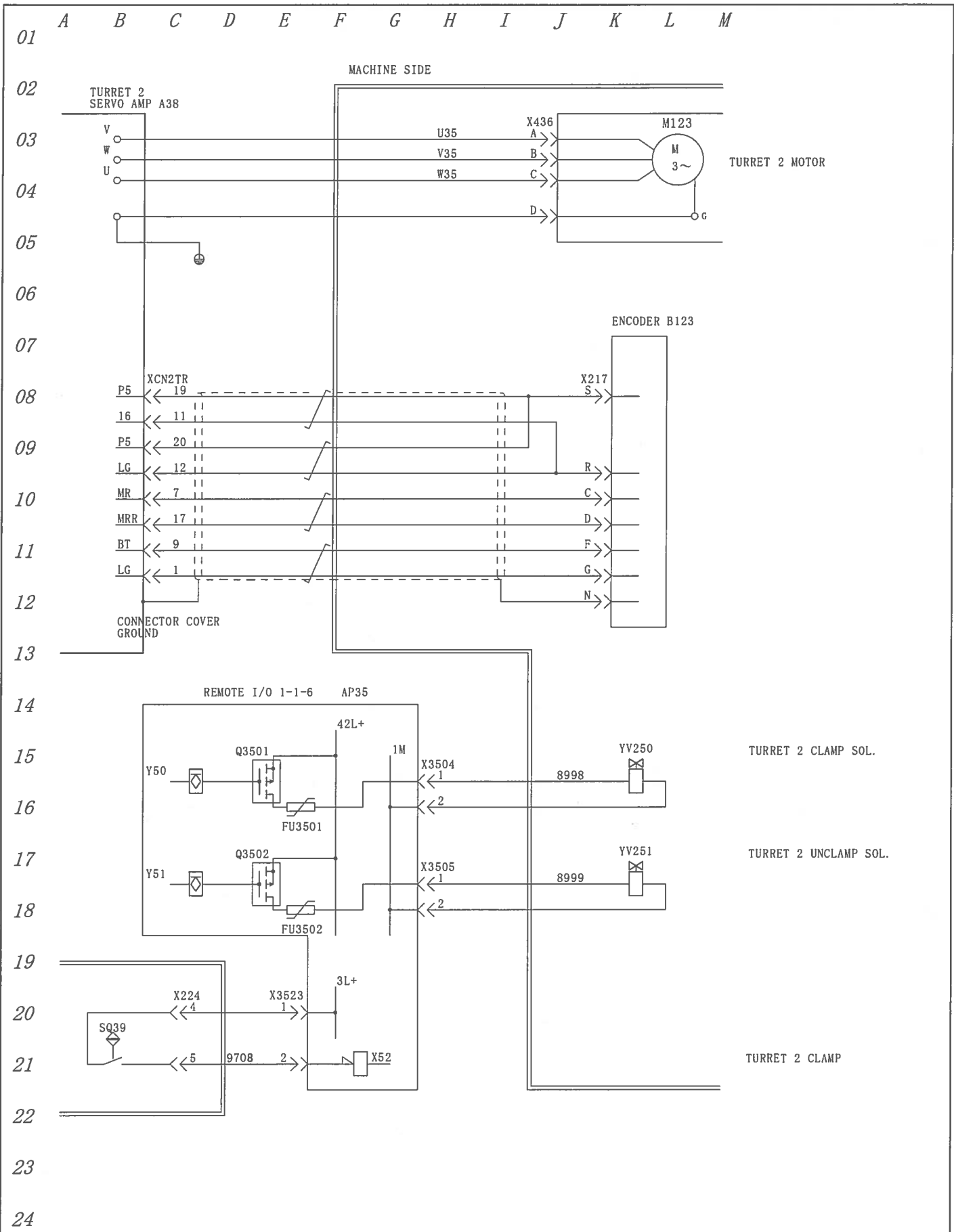
This product is subject to all applicable Japanese Foreign Exchange and Foreign Trade Law
 本品は『外国為替及び外国貿易法』に該当しますので外国に輸出する場合には同法に基づく許可を必要とします。



	APR'D BY	CHK'D BY	DRWN BY	TITLE
	H GOTO	H GOTO	H I NAGAKI	Z2-AXIS SERVO MOTOR
				DRWN NO.
				372070400781

This product is subject to all applicable Japanese Foreign Exchange and Foreign Trade Law
 本品は『外国為替及び外国貿易法』に該当しますので外国に輸出する場合には同法に基づく許可を必要とします。



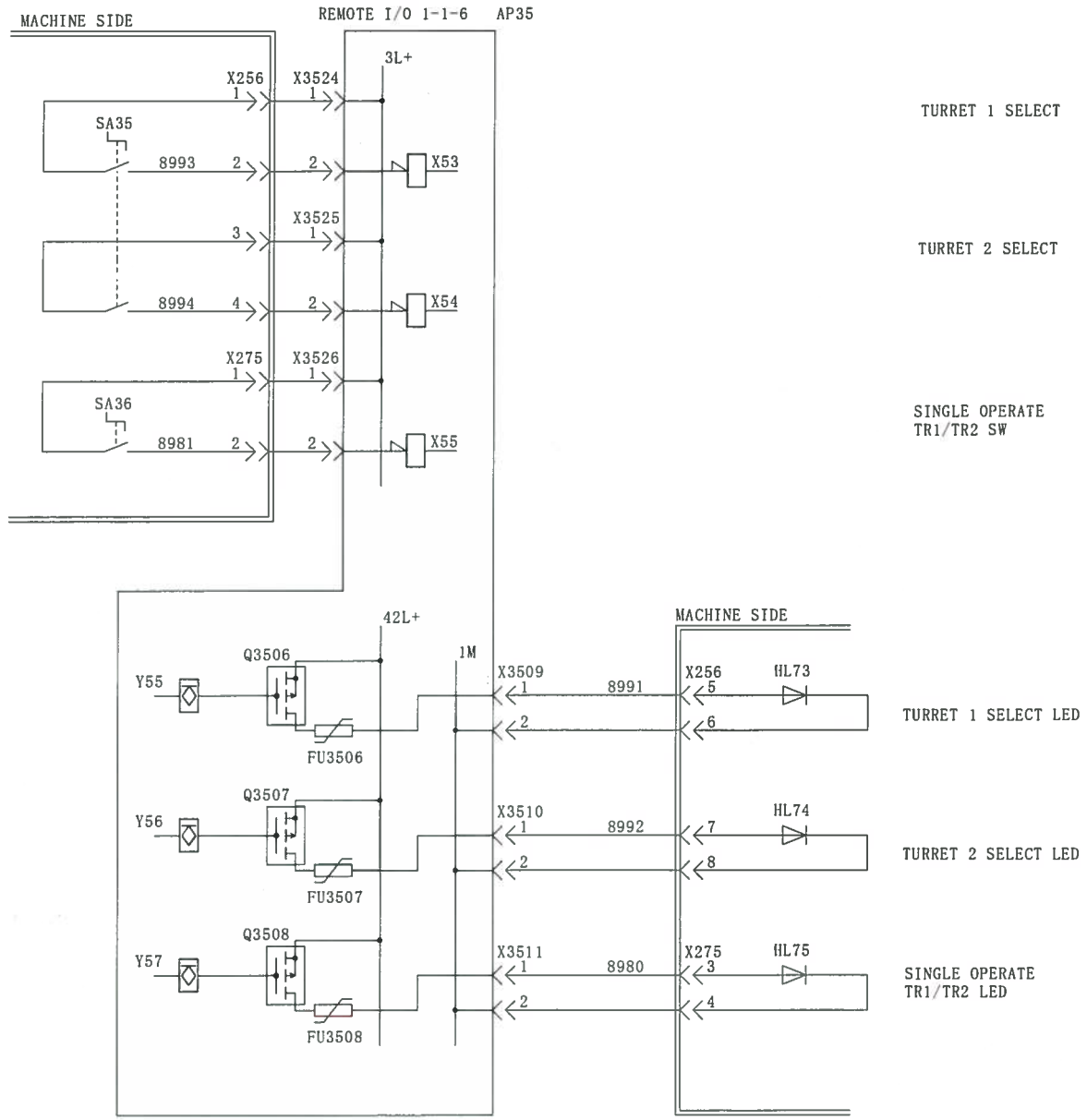


△		APR'D BY	CHK'D BY	DRWN BY	TITLE
△				03/07/08	TURRET 2 MOTOR
△		H GOTO	H GOTO	H I NAGAKI	DRWN NO. 372070400790
△		 YAMAZAKI MAZAK CORPORATION			

This product is subject to all applicable Japanese Foreign Exchange and Foreign Trade Law
 本品は『外国為替及び外国貿易法』に該当しますので外国に輸出する場合には同法に基づく許可を必要とします。

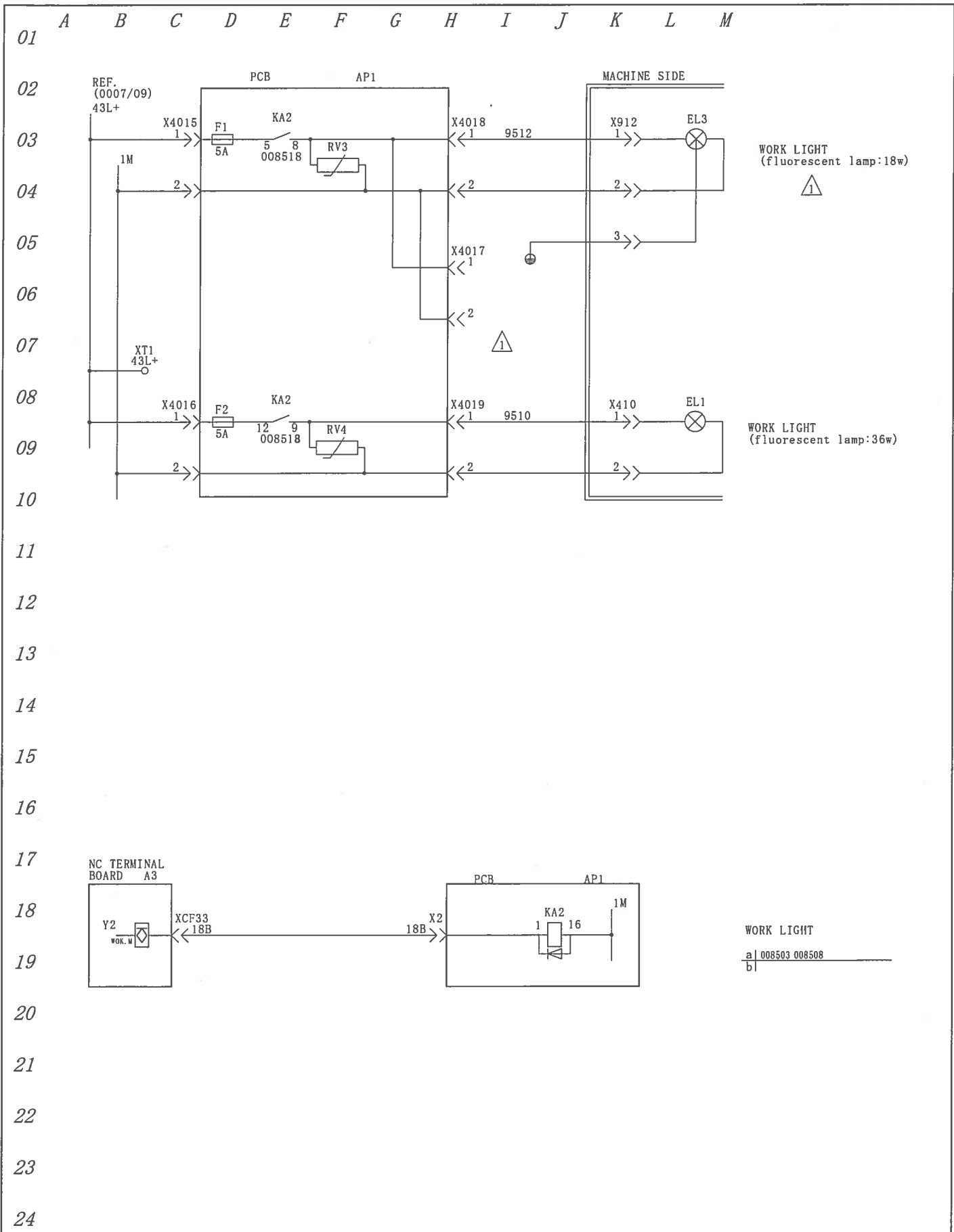
01 A B C D E F G H I J K L M

02
03
04
05
06
07
08
09
10
11
12
13
14
15
16
17
18
19
20
21
22
23
24

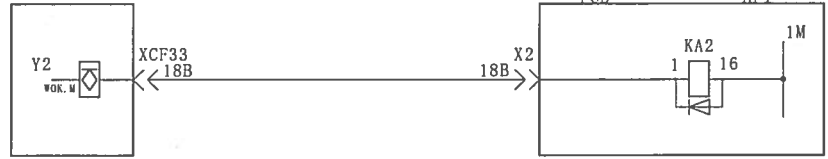


△		 YAMAZAKI MAZAK CORPORATION	APR'D BY	CHK'D BY	DRWN BY	TITLE
△			H. GOTO	H. GOTO	H. INAGAKI	TURRET 1/2 SELECT SW
△						DRWN NO. 372070400800
△						


This product is subject to all applicable Japanese Foreign Exchange and Foreign Trade Law
 本品は『外国為替及び外国貿易法』に該当しますので外国に輸出する場合には同法に基づく許可を必要とします。



NC TERMINAL BOARD A3



WORK LIGHT
a | 008503 008508
b |

△		 YAMAZAKI MAZAK CORPORATION	APR'D BY	CHK'D BY	DRWN BY	TITLE
△			H GOTO	H GOTO	H I NAGAKI	WORK LIGHT
△						DRWN NO. 372070400851
△	Change		03.09.01 H. I.			

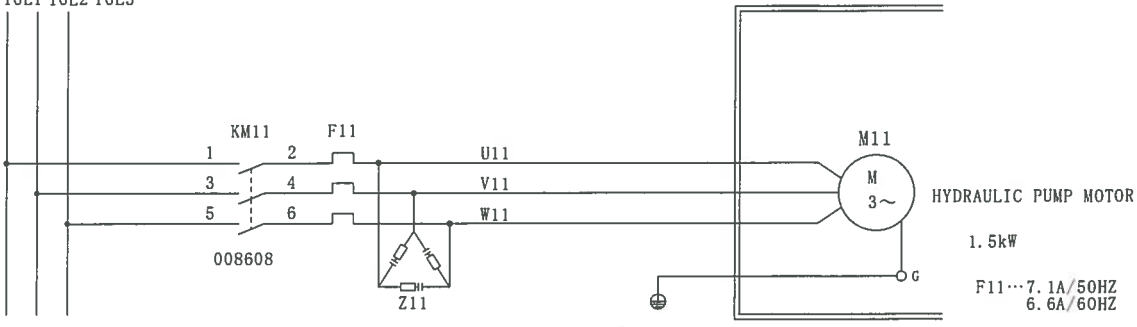
This product is subject to all applicable Japanese Foreign Exchange and Foreign Trade Law
 本品は『外国為替及び外国貿易法』に該当しますので外国に輸出する場合には同法に基づく許可を必要とします。

01
02
03
04
05
06
07
08
09
10
11
12
13
14
15
16
17
18
19
20
21
22
23
24

A B C D E F G H I J K L M

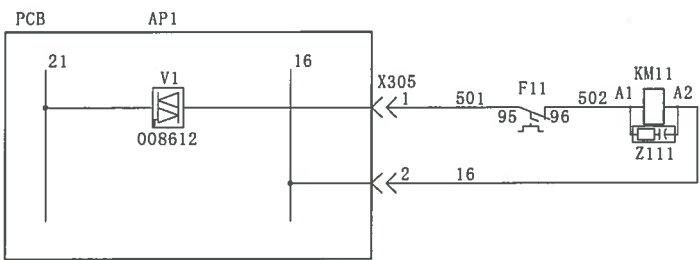
REF. (0005/12)

16L1 16L2 16L3

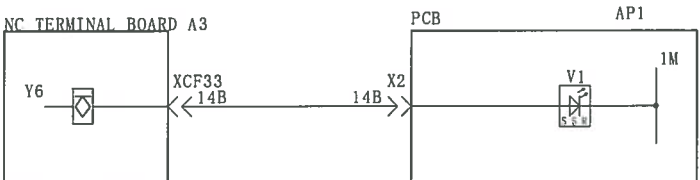


MACHINE SIDE

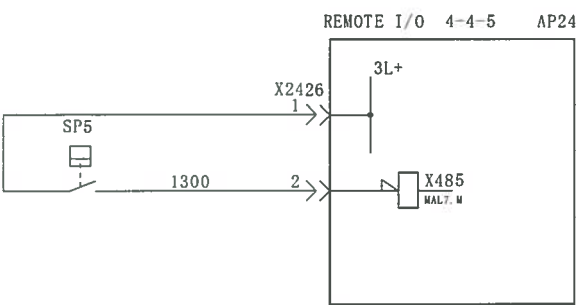
HYDRAULIC PUMP MOTOR
1.5kW
F11...7.1A/50HZ
6.6A/60HZ



HYDRAULIC PUMP MOTOR
a | 008604 011021
b |



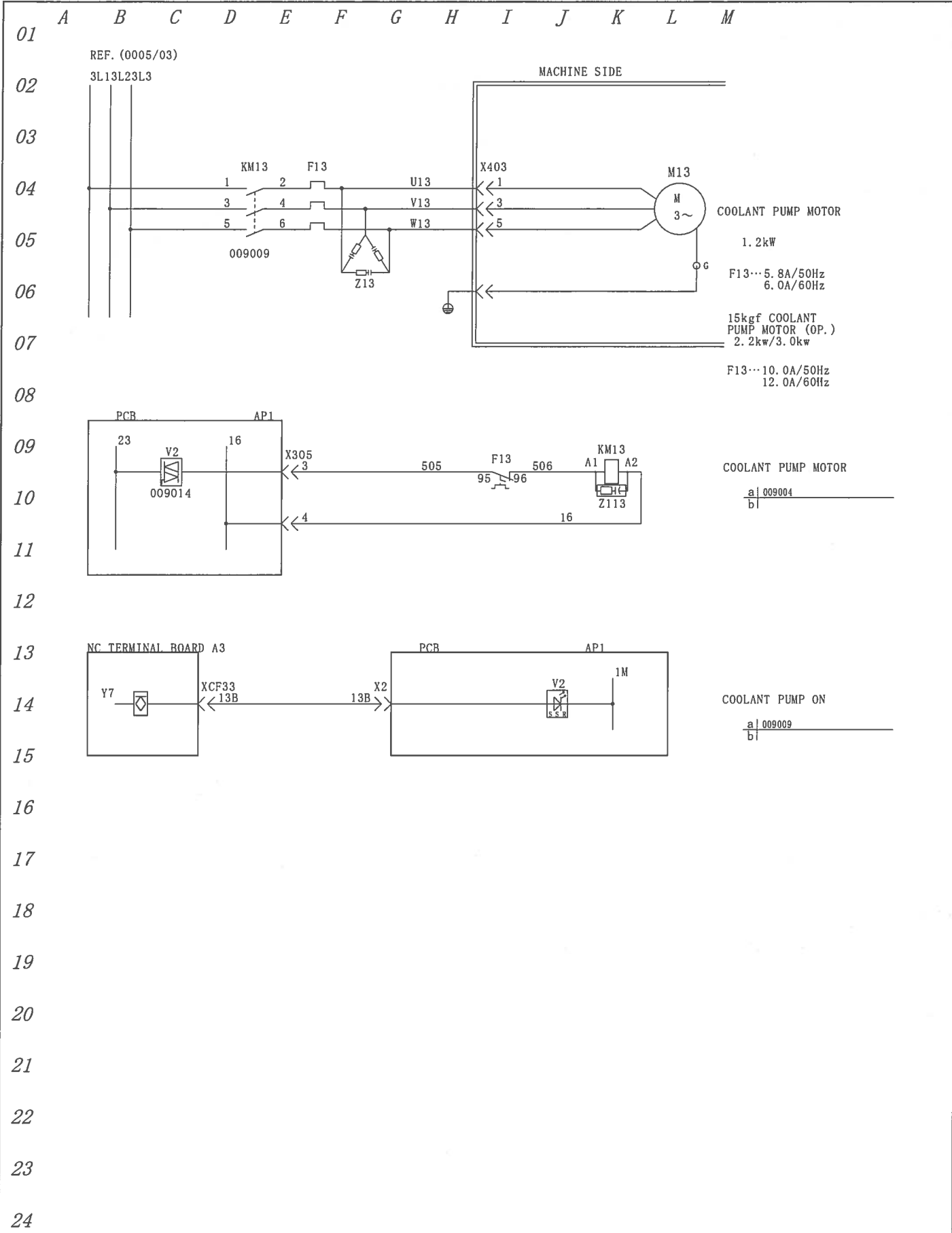
HYDRAULIC PUMP ON
a | 008608
b |



HYDRAULIC PRESSURE
READY

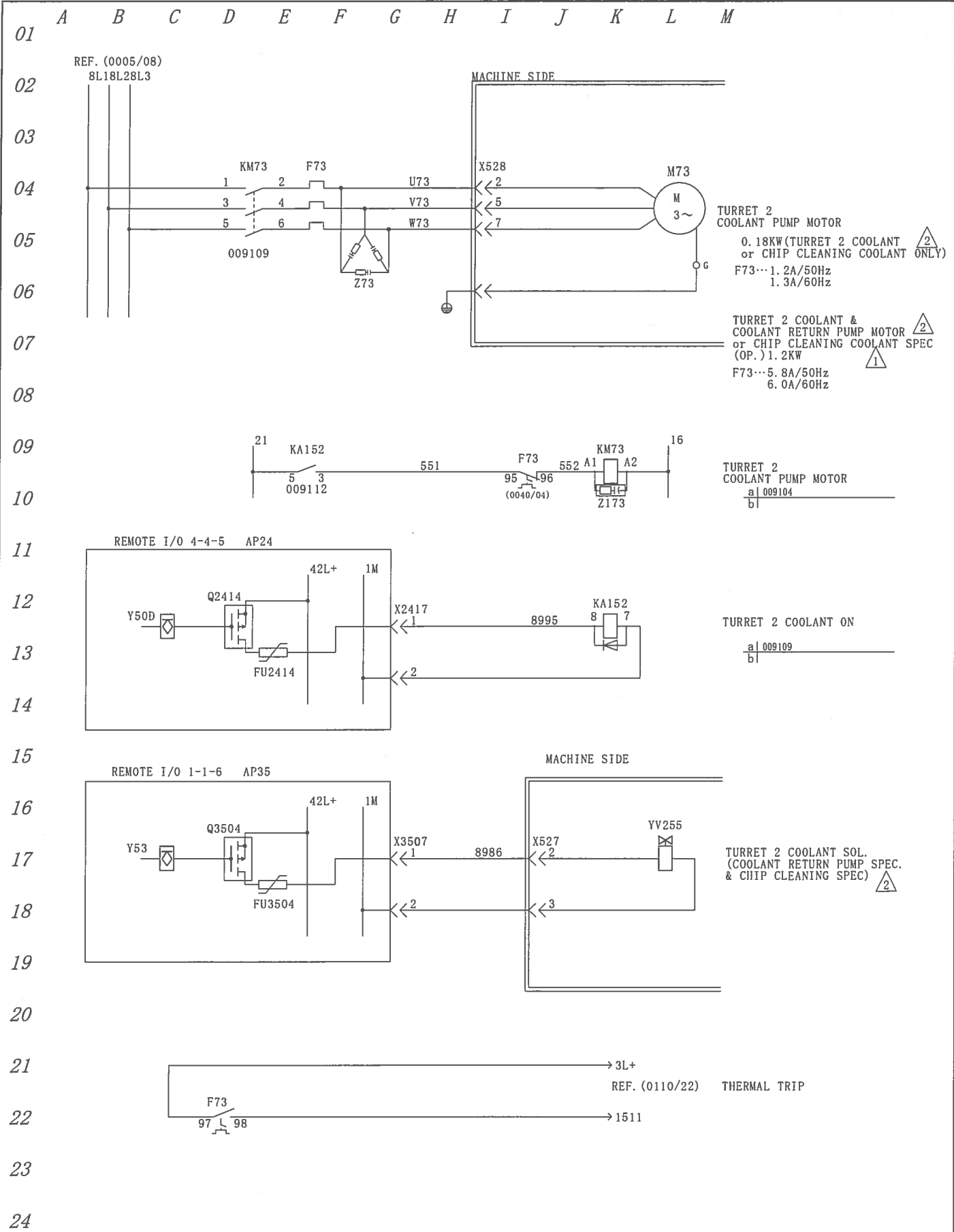
△		 YAMAZAKI MAZAK CORPORATION	APR'D BY	CHK'D BY	DRWN BY	TITLE
△			H. GOTO	H. GOTO	H. I. NAGAKI	HYDRAULIC UNIT PUMP
△					03/07/08	
△						DRWN NO. 372070400860
△						

This product is subject to all applicable Japanese Foreign Exchange and Foreign Trade Law
 本品は『外国為替及び外国貿易法』に該当しますので外国に輸出する場合には同法に基づく許可を必要とします。



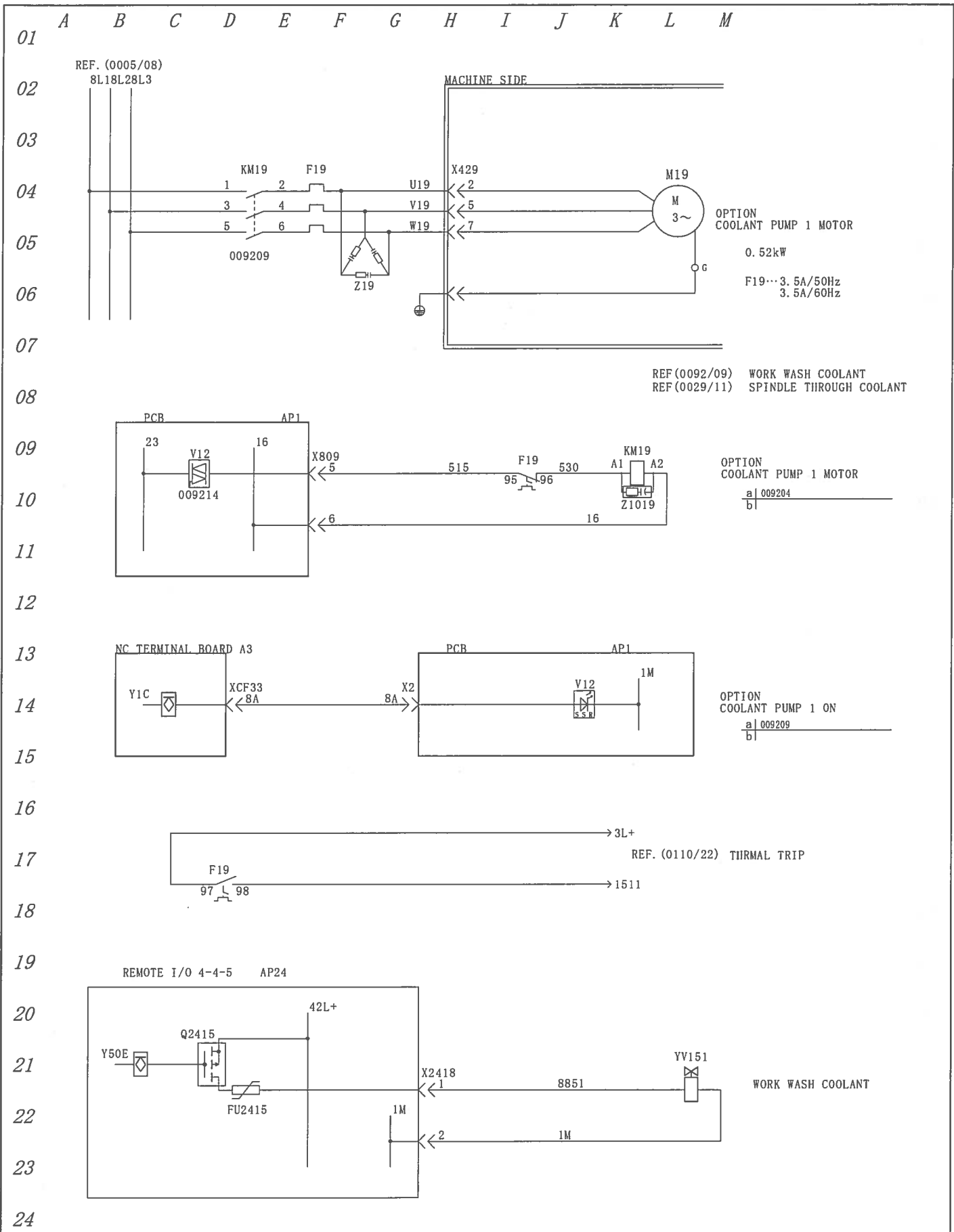
△		APR'D BY	CHK'D BY	DRWN BY	TITLE
△				03/07/08	COOLANT PUMP MOTOR
△				H I NAGAKI	DRWN NO. 372070400900
△		Mazak		H GOTO	H GOTO
△		YAMAZAKI MAZAK CORPORATION			


This product is subject to all applicable Japanese Foreign Exchange and Foreign Trade Law
 本品は『外国為替及び外国貿易法』に該当しますので外国に輸出する場合には同法に基づく許可を必要とします。



\triangle		 YAMAZAKI MAZAK CORPORATION	APR'D BY	CHK'D BY	DRWN BY	TITLE	
\triangle			H. GOTO	H. GOTO	H. I. NAGAKI	TURRET 2 COOLANT & RETURN PUMP MOTOR	
\triangle	CHANGE		'04.05.14 H. N.			04/06/28	DRWN NO. 372070400912
\triangle	Add.		'03.09.01 H. I.				

This product is subject to all applicable Japanese Foreign Exchange and Foreign Trade Law
 本品は『外国為替及び外国貿易法』に該当しますので外国に輸出する場合には同法に基づく許可を必要とします。



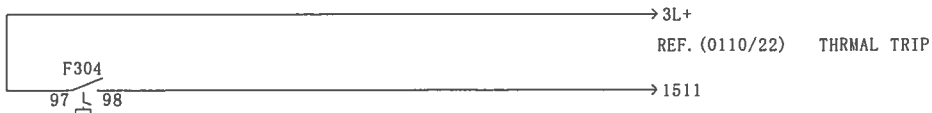
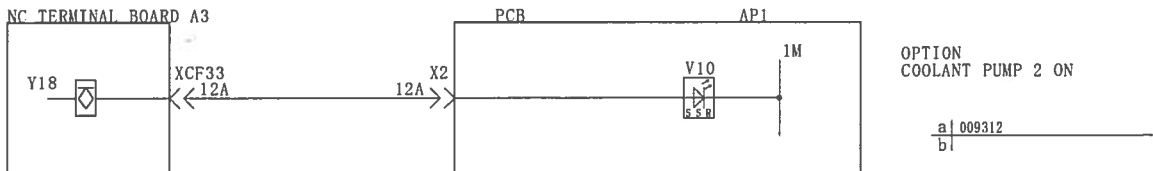
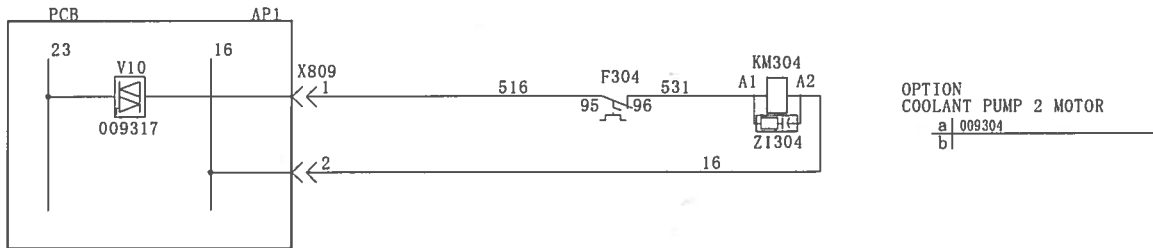
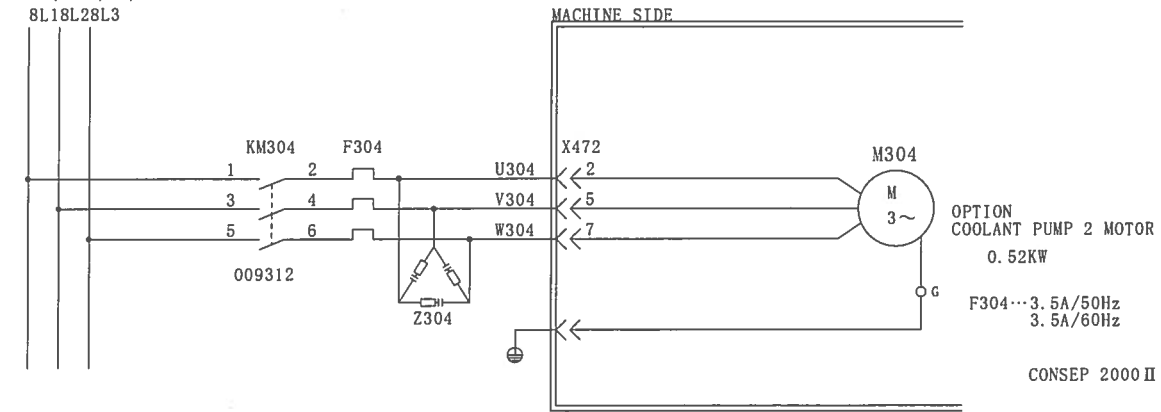
△		 YAMAZAKI MAZAK CORPORATION	APR'D BY	CHK'D BY	DRWN BY	TITLE
△			H. GOTO	H. GOTO	H. I. NAGAKI	OPTI ON COOLANT PUMP 1 MOTOR
△						DRWN NO. 372070400920
△						
△						

This product is subject to all applicable Japanese Foreign Exchange and Foreign Trade Law
 本品は『外国為替及び外国貿易法』に該当しますので外国に輸出する場合には同法に基づく許可を必要とします。

01 A B C D E F G H I J K L M

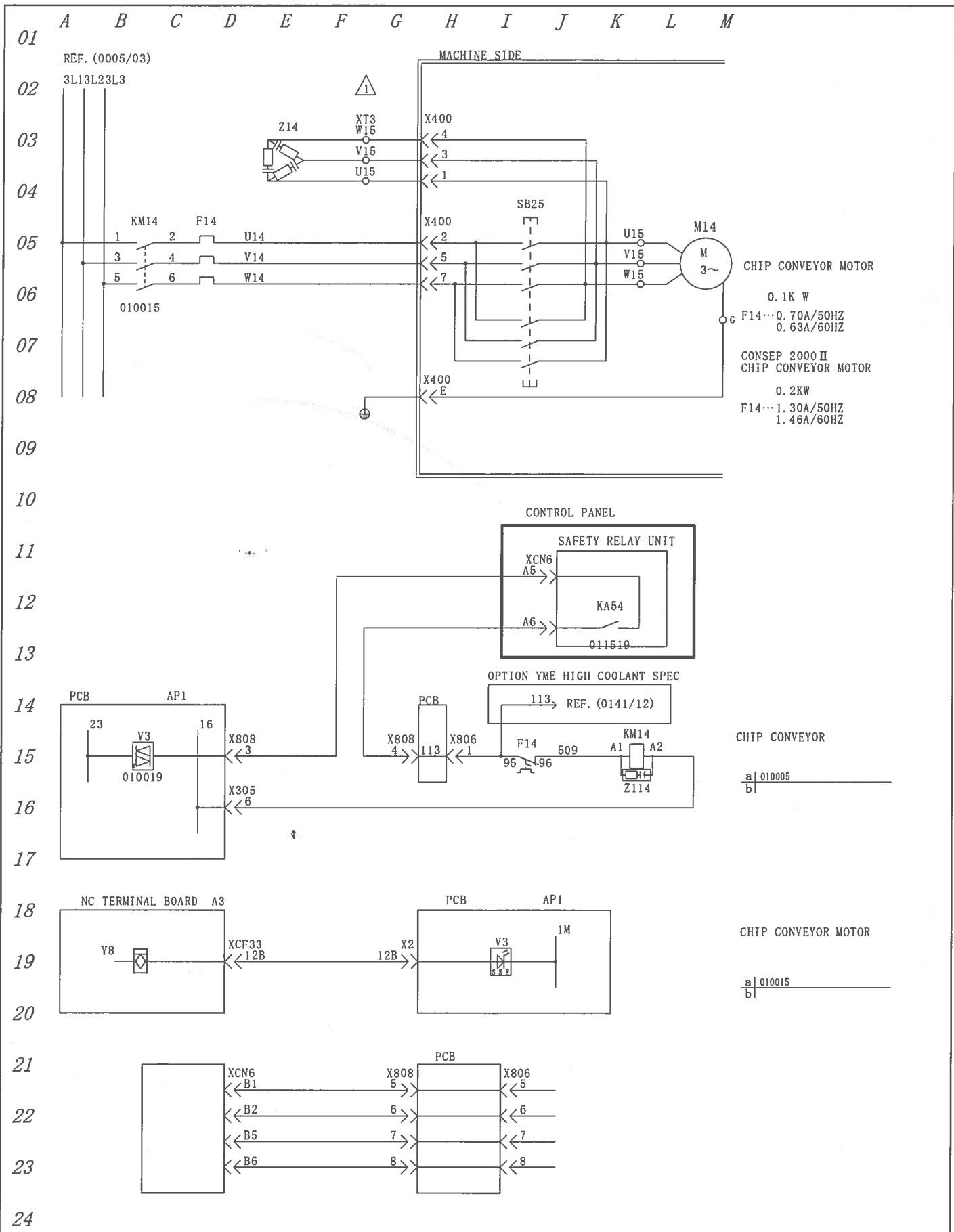
02
03
04
05
06
07
08
09
10
11
12
13
14
15
16
17
18
19
20
21
22
23
24

REF. (0005/08)
8L18L28L3



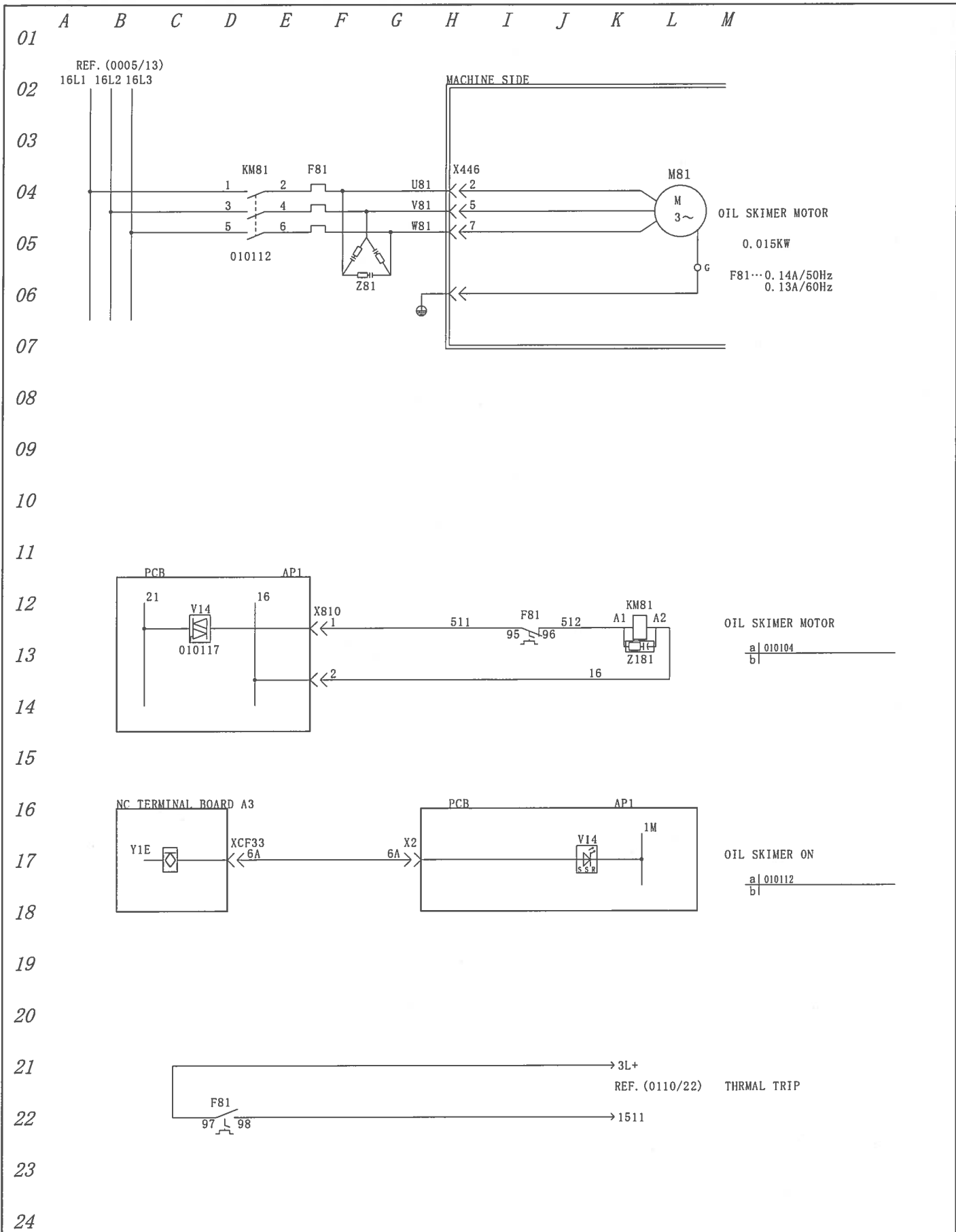
△		Mazak YAMAZAKI MAZAK CORPORATION	APR'D BY	CHK'D BY	DRWN BY	TITLE
△					03/07/08	OPTI ON COOLANT PUMP 2 MOTOR
△			H GOTO	H GOTO	H I NAGAKI	DRWN NO. 372070400930
△						
△						


This product is subject to all applicable Japanese Foreign Exchange and Foreign Trade Law
 本品は『外国為替及び外国貿易法』に該当しますので外国に輸出する場合には同法に基づく許可を必要とします。



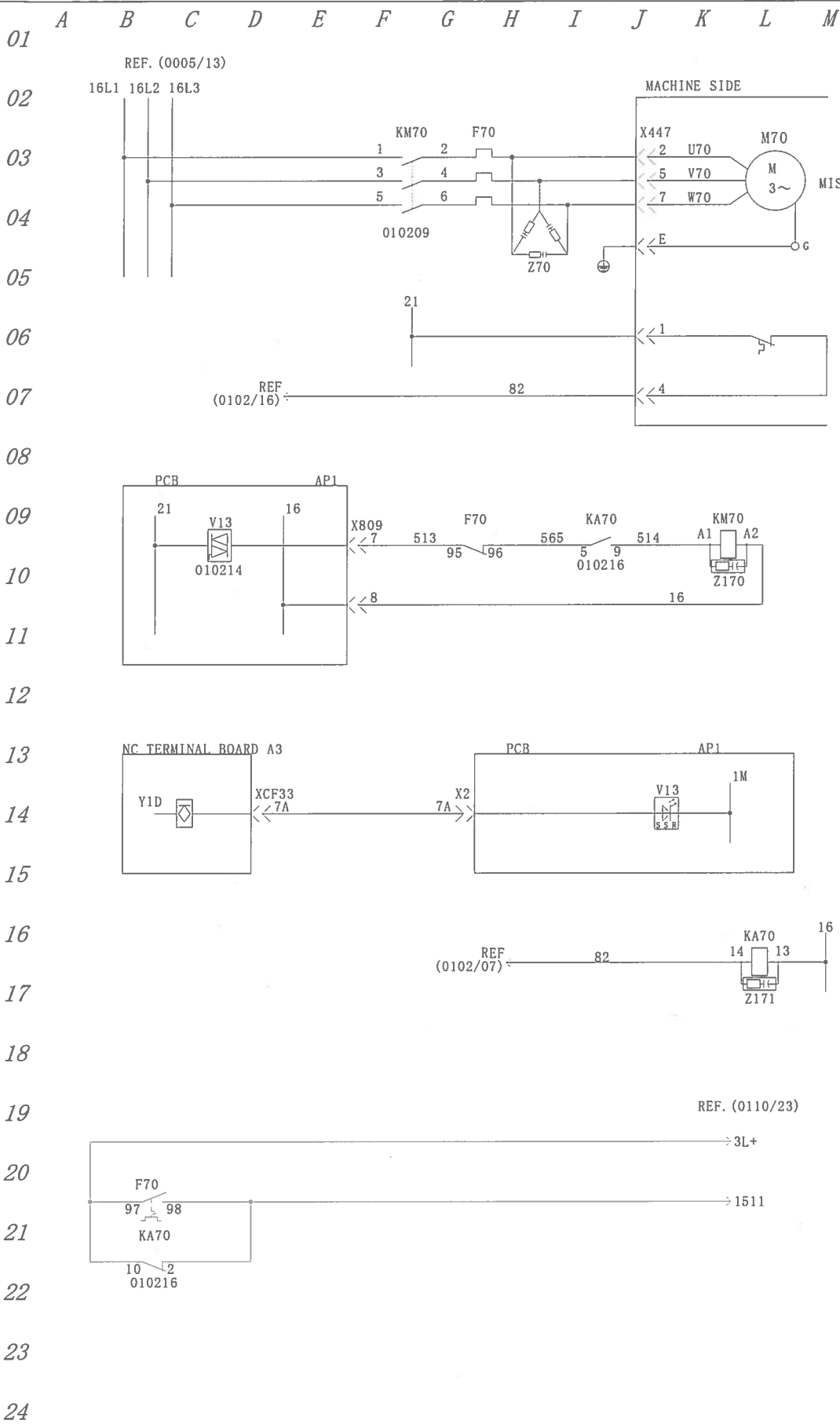
△		 YAMAZAKI MAZAK CORPORATION	APR'D BY	CHK'D BY	DRWN BY	TITLE
△			H GOTO	H GOTO	H I NAGAKI	CHIP CONVEYOR (OPTION)
△						04/02/18
△						
△	Add.		'03.09.01 H. I			


This product is subject to all applicable Japanese Foreign Exchange and Foreign Trade Law
 本品は『外国為替及び外国貿易法』に該当しますので外国に輸出する場合には同法に基づく許可を必要とします。



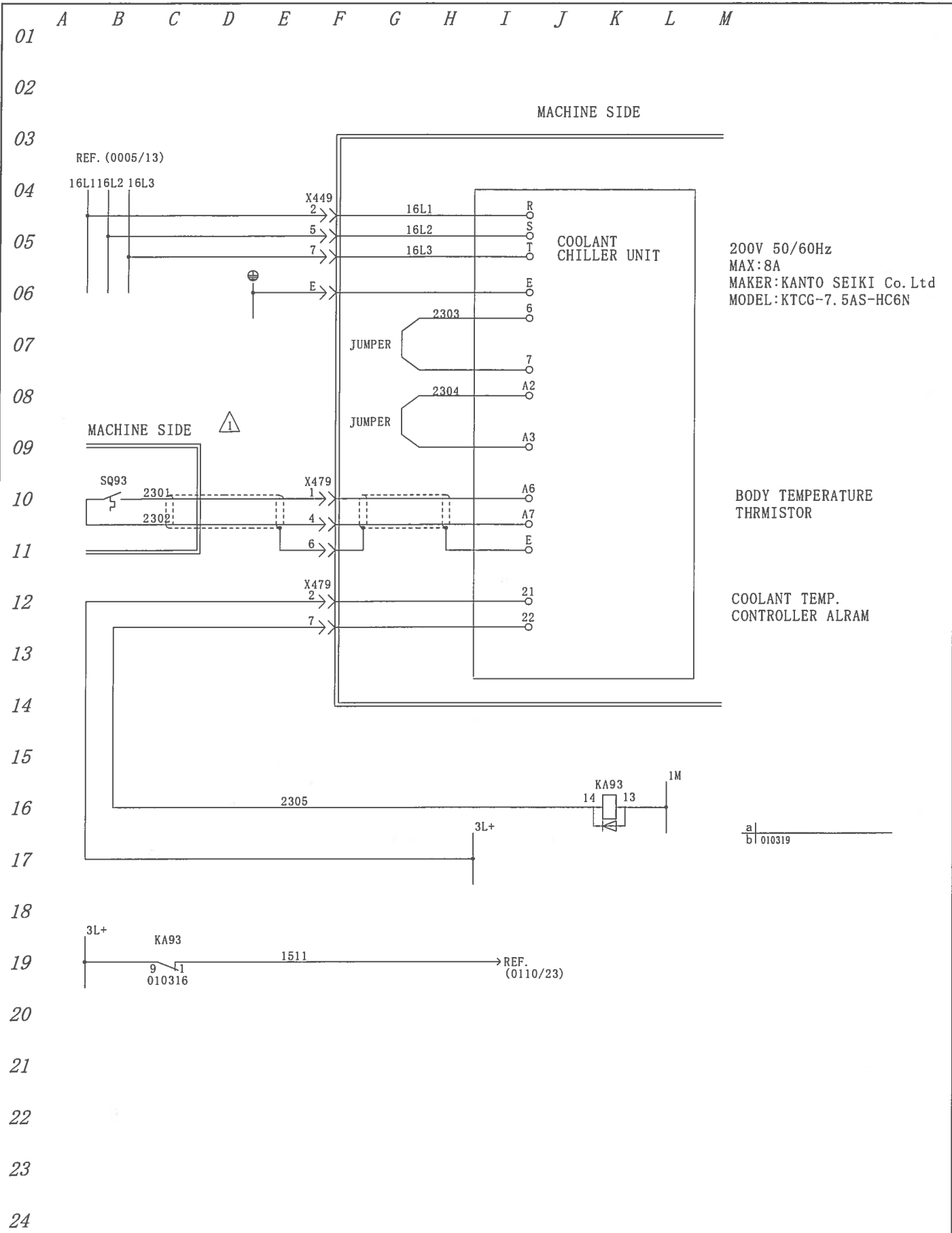
△		 YAMAZAKI MAZAK CORPORATION	APR'D BY	CHK'D BY	DRWN BY	TITLE	
△			H GOTO	H GOTO	H I NAGAKI	03/07/08	OPTI ON OIL SKI MER
△							DRWN NO. 372070401010
△							
△							

This product is subject to all applicable Japanese Foreign Exchange and Foreign Trade Law
 本品は『外国為替及び外国貿易法』に該当しますので外国に輸出する場合には同法に基づく許可を必要とします。



△		 YAMAZAKI MAZAK CORPORATION	APR'D BY	CHK'D BY	DRWN BY	TITLE
△					04/12/02	OPTI ON M ST COLLECTOR
△			H GOTO	H GOTO	H I NAGAKI	DRWN NO. 372070401021
△	ALT		'04.10.30 H.N			
△						

This product is subject to all applicable Japanese Foreign Exchange and Foreign Trade Law
 本品は『外国為替及び外国貿易法』に該当しますので外国に輸出する場合には同法に基づく許可を必要とします。

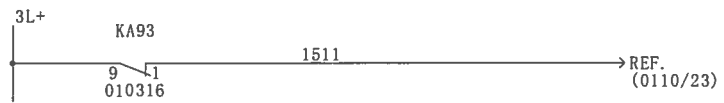


200V 50/60Hz
 MAX:8A
 MAKER:KANTO SEIKI Co.Ltd
 MODEL:KTCG-7.5AS-HC6N

BODY TEMPERATURE
 THRMISTOR

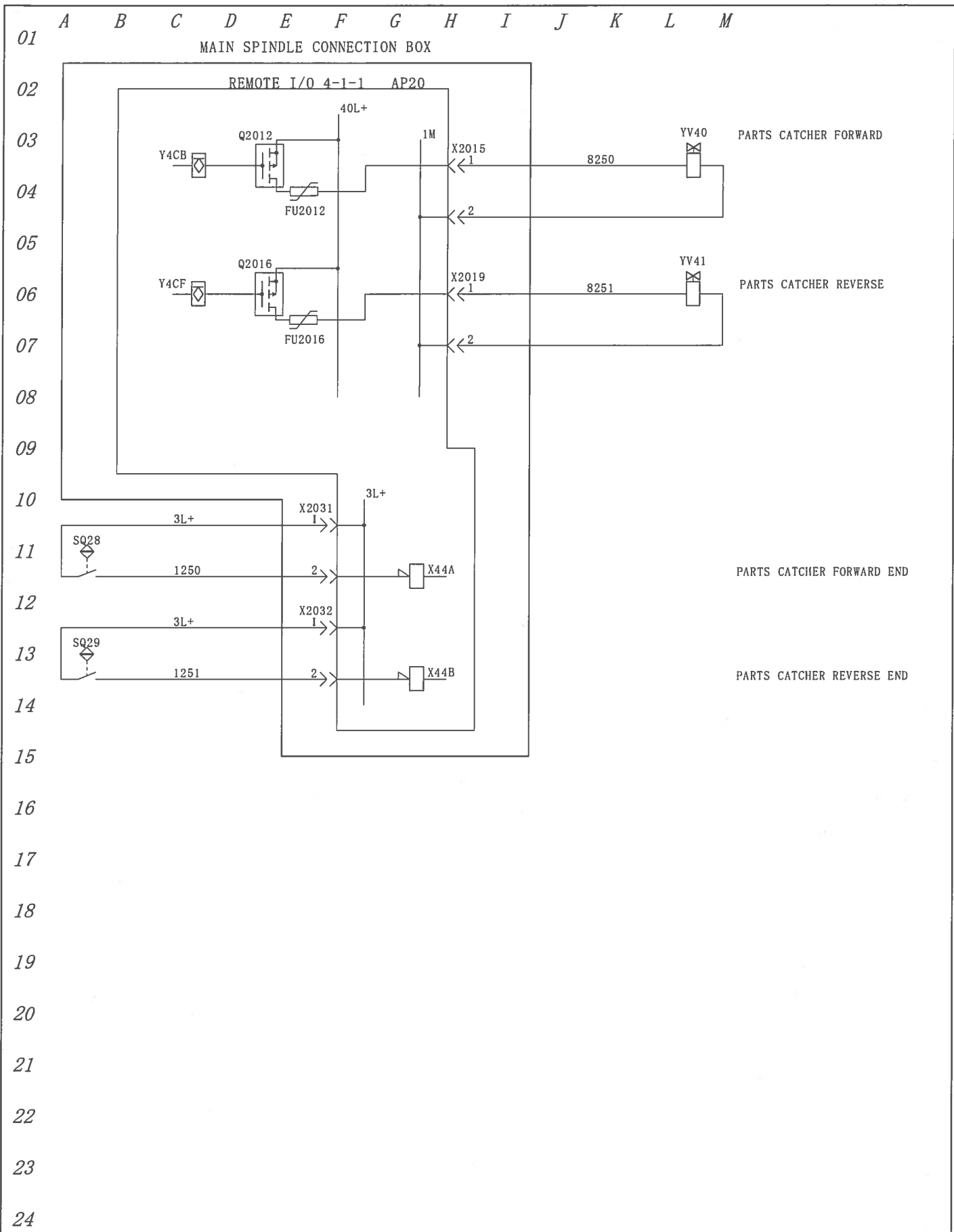
COOLANT TEMP.
 CONTROLLER ALRAM

a/ _____
 b/ 010319



△		 YAMAZAKI MAZAK CORPORATION	APR'D BY	CHK'D BY	DRWN BY	TITLE
△					04/02/18	OPTI ON COOLANT CHILLER UNIT
△			H GOTO	H GOTO	H I NAGAKI	DRWN NO. 372070401031
△	Add.		'03.09.01 H. I			

This product is subject to all applicable Japanese Foreign Exchange and Foreign Trade Law
 本品は『外国為替及び外国貿易法』に該当しますので外国に輸出する場合には同法に基づく許可を必要とします。

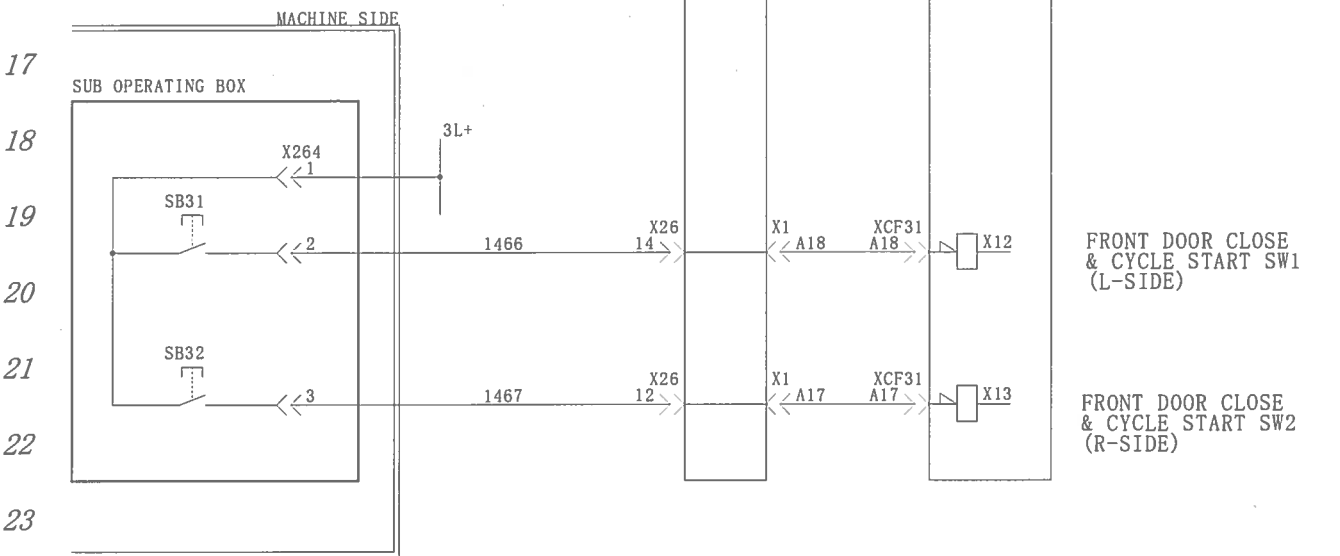
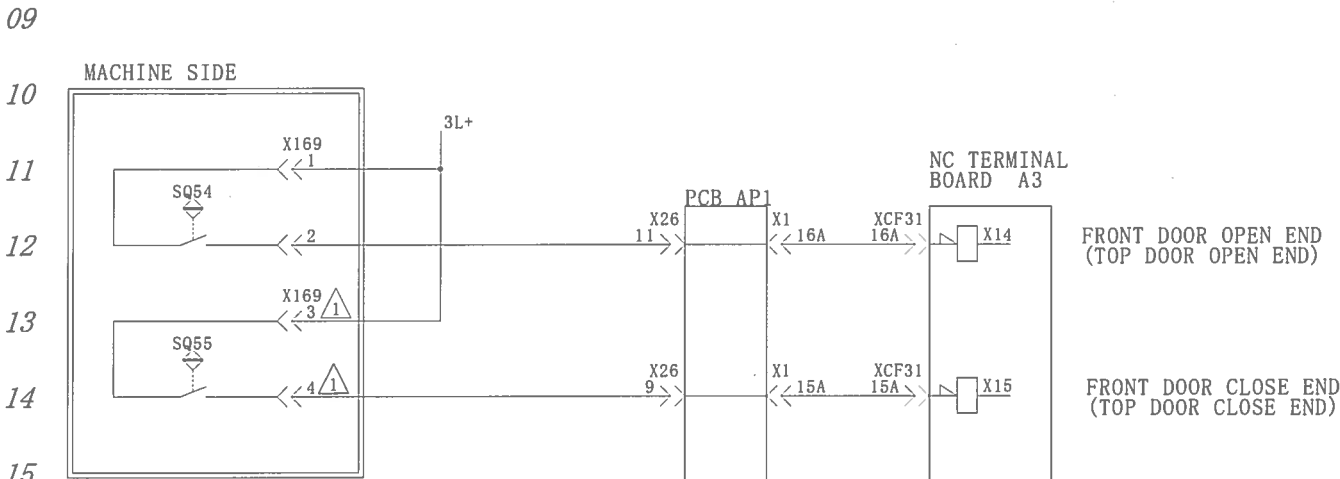
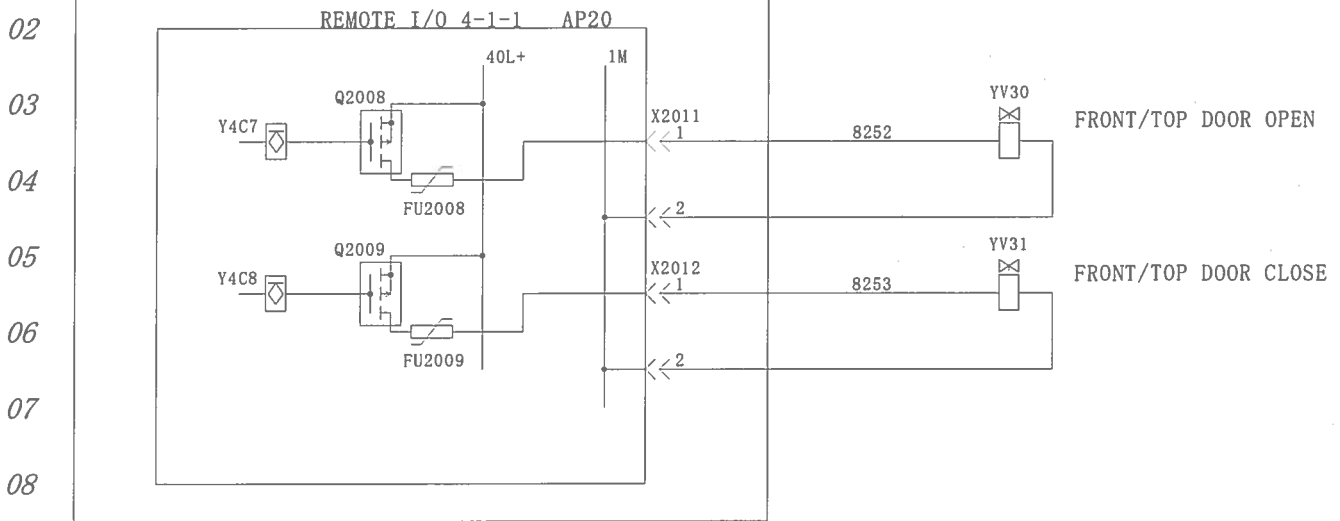


△		 YAMAZAKI MAZAK CORPORATION	APR'D BY	CHK'D BY	DRWN BY	TITLE
△					03/07/08	OPTI ON
△			H GOTO	H GOTO	H I NAGAKI	AUTO PARTS CATCHER
△						DRWN NO. 372070401040
△						

This product is subject to all applicable Japanese Foreign Exchange and Foreign Trade Law
 本品は『外国為替及び外国貿易法』に該当しますので外国に輸出する場合には同法に基づく許可を必要とします。

01 A B C D E F G H I J K L M

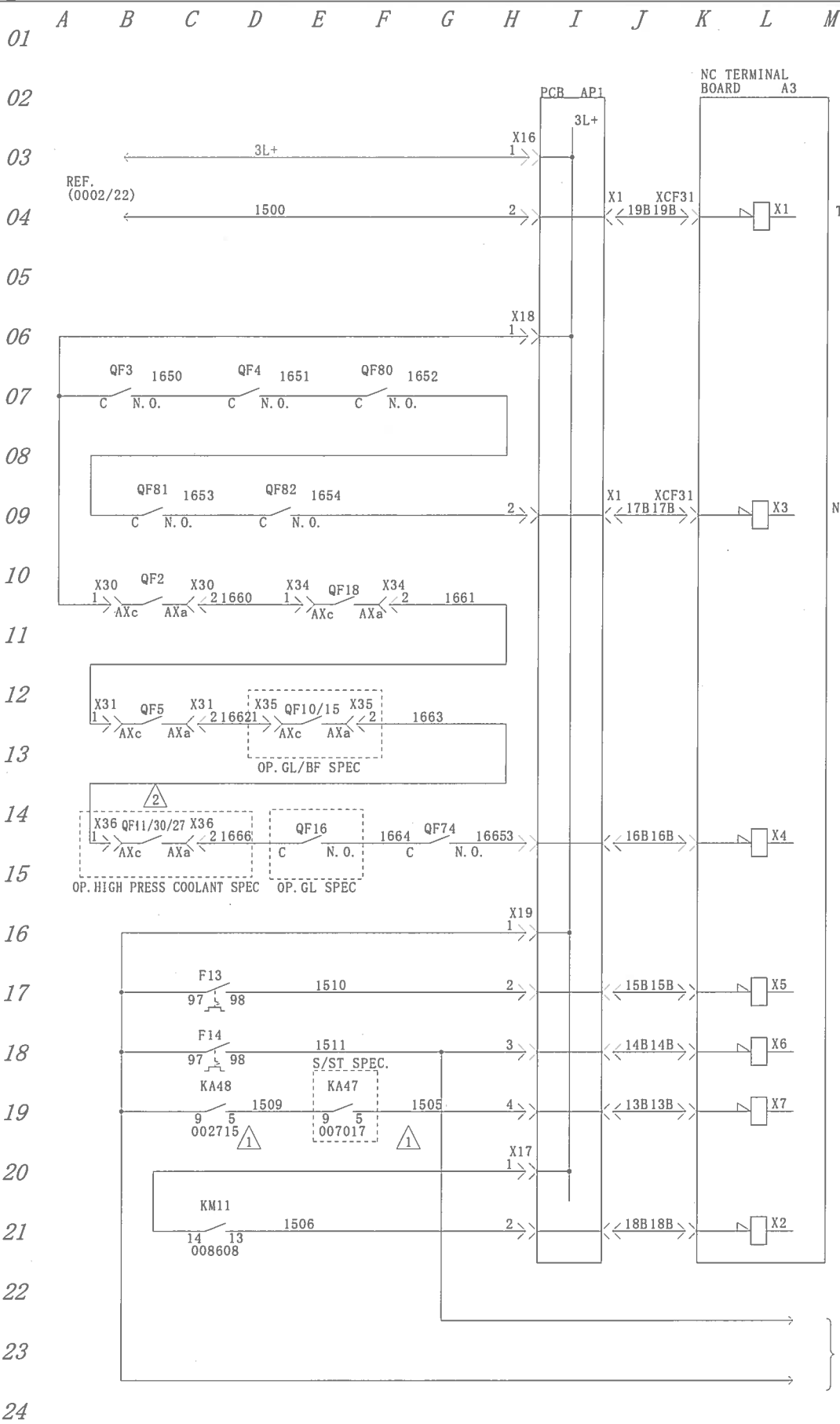
SPINDLE CONNECTION BOX



△			APR'D BY	CHK'D BY	DRWN BY	TITLE
△					04/12/02	OPTI ON
△					H I NAGAKI	FRONT/TOP AUTO DOOR
△	CHANGE	'04.10.30 H.N	H. GOTO	H. GOTO		DRWN NO. 372070401051



This product is subject to all applicable Japanese Foreign Exchange and Foreign Trade Law
 本品は『外国為替及び外国貿易法』に該当しますので外国に輸出する場合には同法に基づく許可を必要とします。



TRANS O.H. (EMG)

NFB TRIP QF3/QF4/QF80
QF81/QF82

NFB TRIP QF2/QF5/QF18/
QF10/QF15/QF74

THERMAL TRIP (SBK)
COOLANT PUMP

THERMAL TRIP (SBK)
OPTION (CHIP CONVEYOR)

COOLING FAN OVER HEART

THERMAL TRIP (EMG)
HYDRAULIC PUMP MOTOR

THERMAL TRIP EXT.
REF. (0091/21)
(0092/18)
(0093/21)
(0101/21)
(0102/20)

ADD COMMENT	'04.11.15 H.N
ADD OPTION	'04.10.30 H.N
Change	'03.09.01 H.I



APR'D BY	CHK'D BY	DRWN BY
H GOTO	H GOTO	H I NAGAKI

TITLE	ALARM CIRCUIT
DRWN NO.	372070401103

This product is subject to all applicable Japanese Foreign Exchange and Foreign Trade Law
 本品は『外国為替及び外国貿易法』に該当しますので外国に輸出する場合には同法に基づく許可を必要とします。

01 A B C D E F G H I J K L M

02

03

04

05

06

07

08

09

10

11

12

13

14

15

16

17

18

19

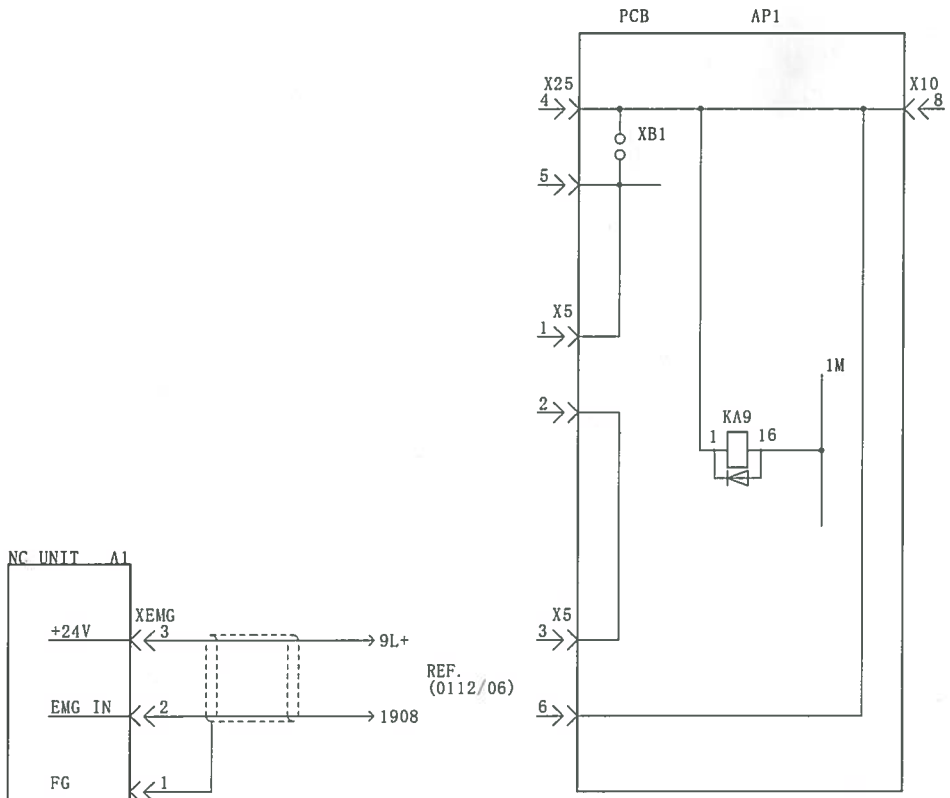
20

21

22

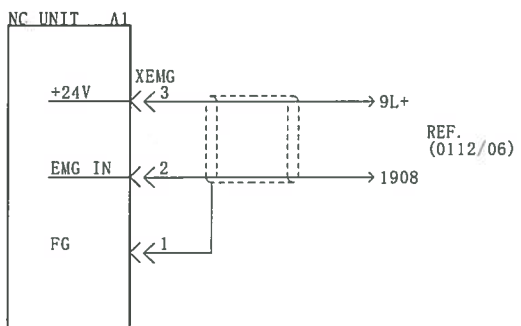
23

24



EMERGENCY STOP

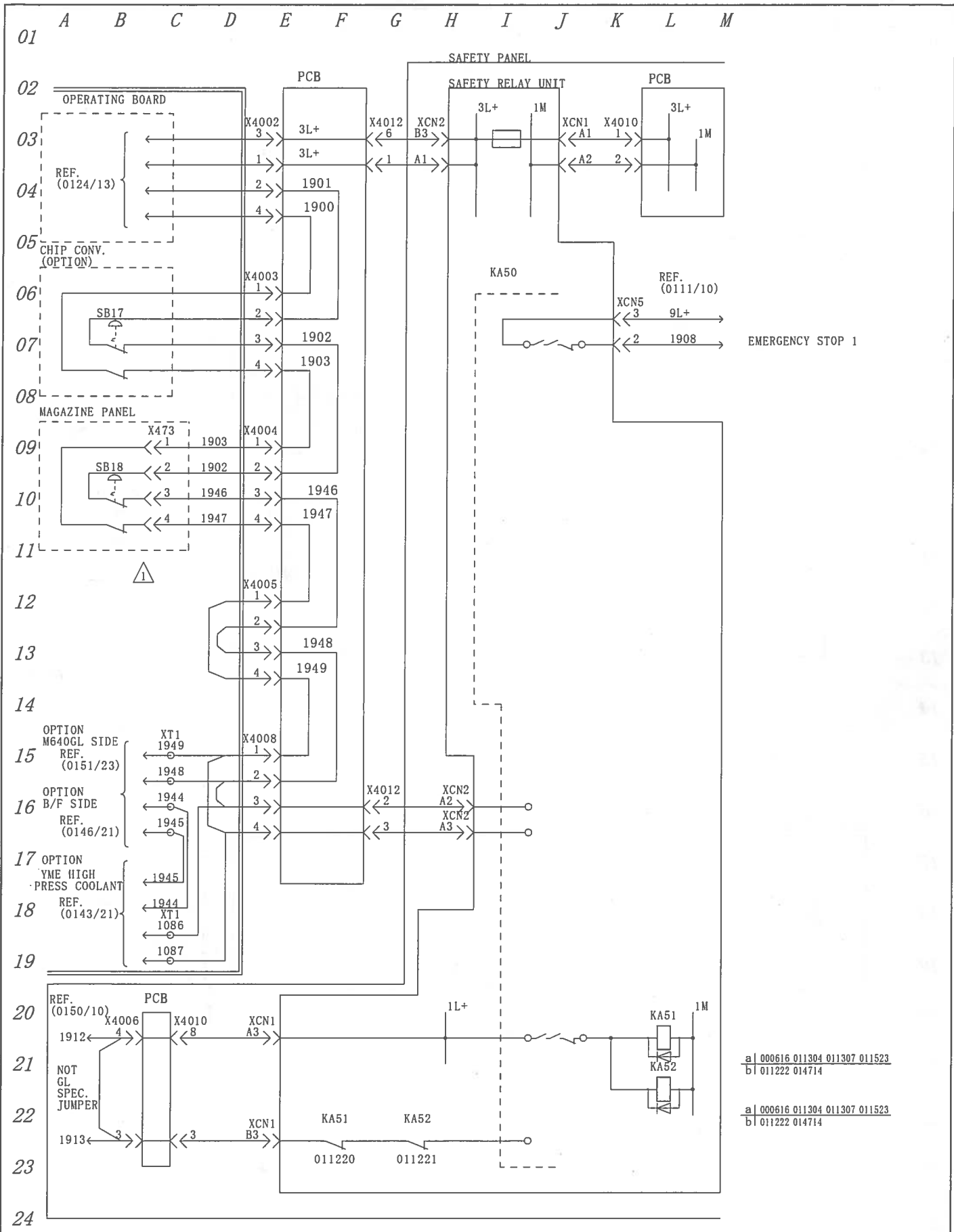
a| 000614
b|



REF.
(0112/06)

△		 YAMAZAKI MAZAK CORPORATION	APR' D BY	CHK' D BY	DRWN BY	TITLE
△			H GOTO	H GOTO	H I NAGAKI	EMERGENCY STOP
△						DRWN NO. 372070401110
△						

This product is subject to all applicable Japanese Foreign Exchange and Foreign Trade Law
 本品は『外国為替及び外国貿易法』に該当しますので外国に輸出する場合には同法に基づく許可を必要とします。

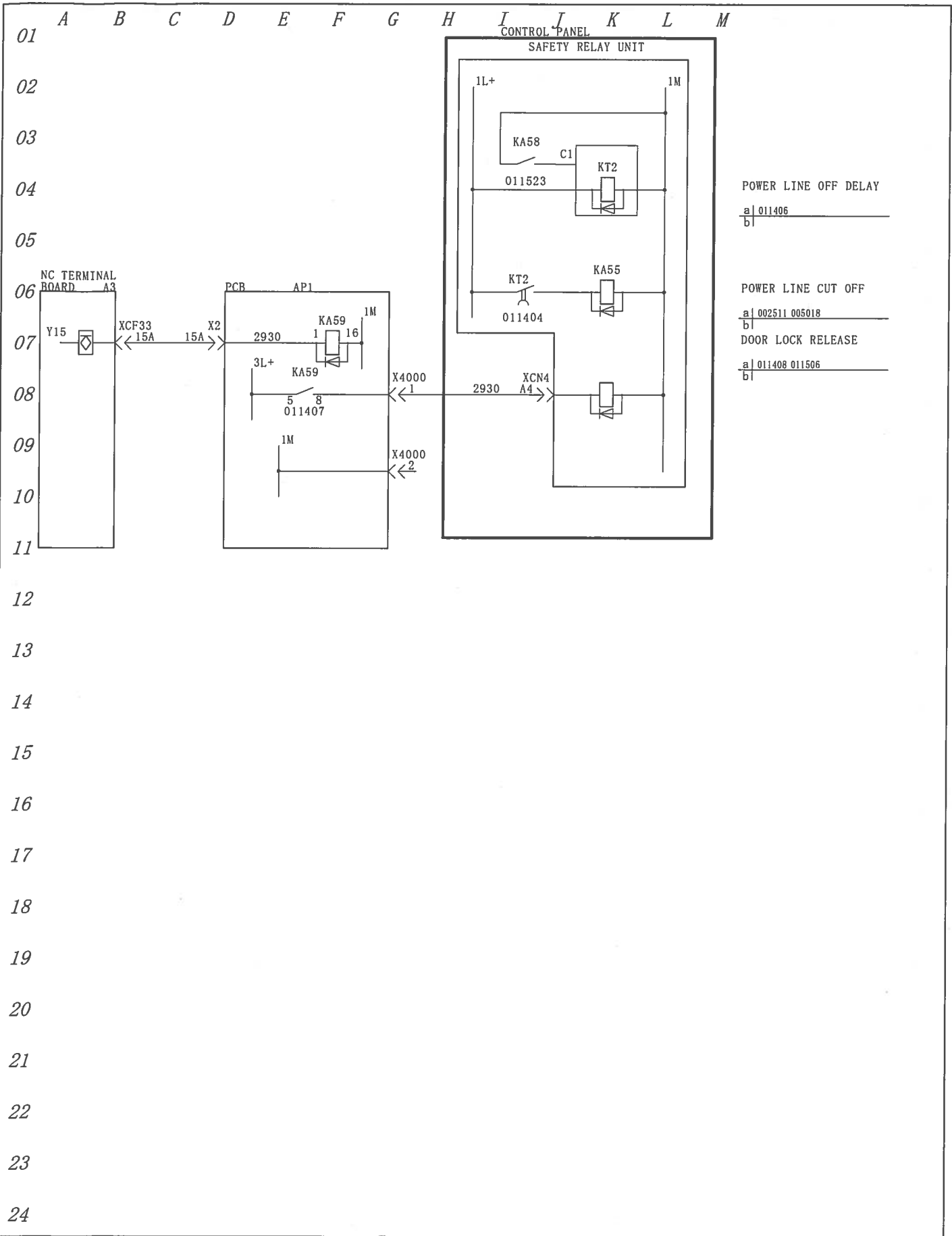


a | 000616 011304 011307 011523
 b | 011222 014714

a | 000616 011304 011307 011523
 b | 011222 014714

△		 YAMAZAKI MAZAK CORPORATION	APR'D BY	CHK'D BY	DRWN BY	TITLE
△			H GOTO	H GOTO	H I NAGAKI	EMG STOP CIRCUIT (1)
△						DRWN NO. 372070401121
△	Add.		'03.09.01 H.I			

This product is subject to all applicable Japanese Foreign Exchange and Foreign Trade Law
 本品は『外国為替及び外国貿易法』に該当しますので外国に輸出する場合には同法に基づく許可を必要とします。



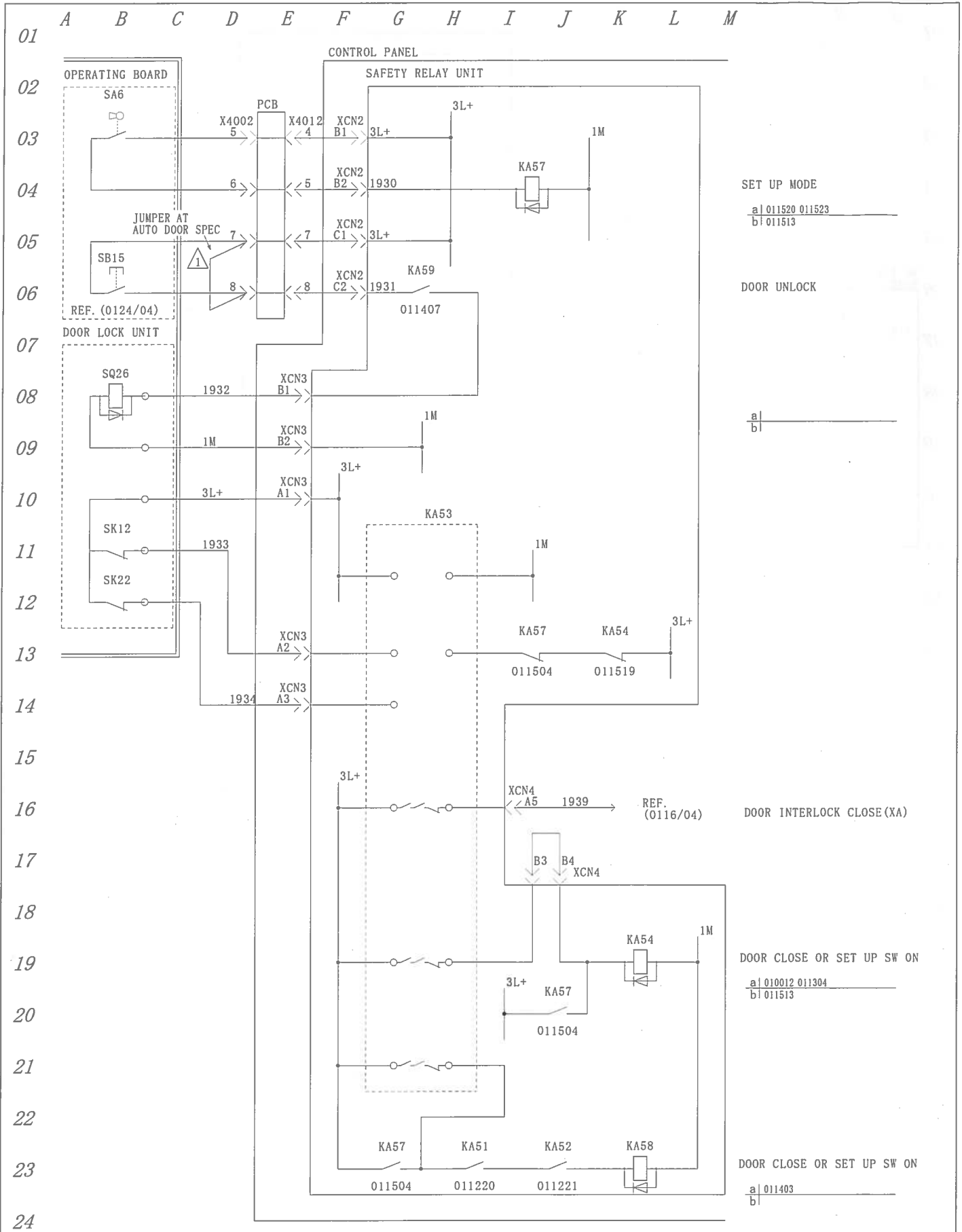
POWER LINE OFF DELAY
 a| 011406
 b|

POWER LINE CUT OFF
 a| 002511 005018
 b|

DOOR LOCK RELEASE
 a| 011408 011506
 b|

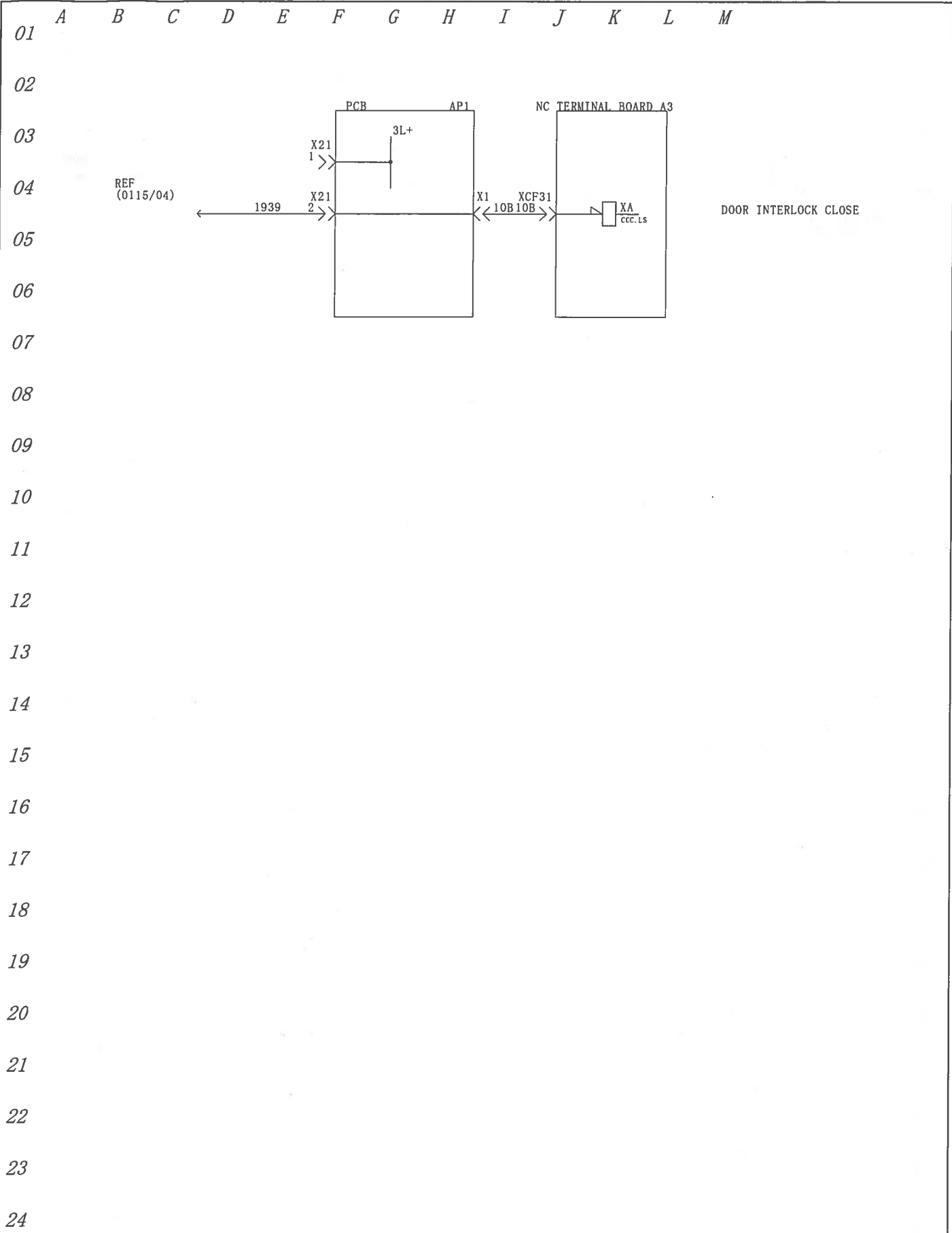
△		APR'D BY	CHK'D BY	DRWN BY	TITLE
△				03/07/08	DOOR I NTERLOCK
△		H GOTO	H GOTO	H I NAGAKI	DRWN NO. 372070401140
△		 YAMAZAKI MAZAK CORPORATION			

This product is subject to all applicable Japanese Foreign Exchange and Foreign Trade Law
 本品は『外国為替及び外国貿易法』に該当しますので外国に輸出する場合には同法に基づく許可を必要とします。



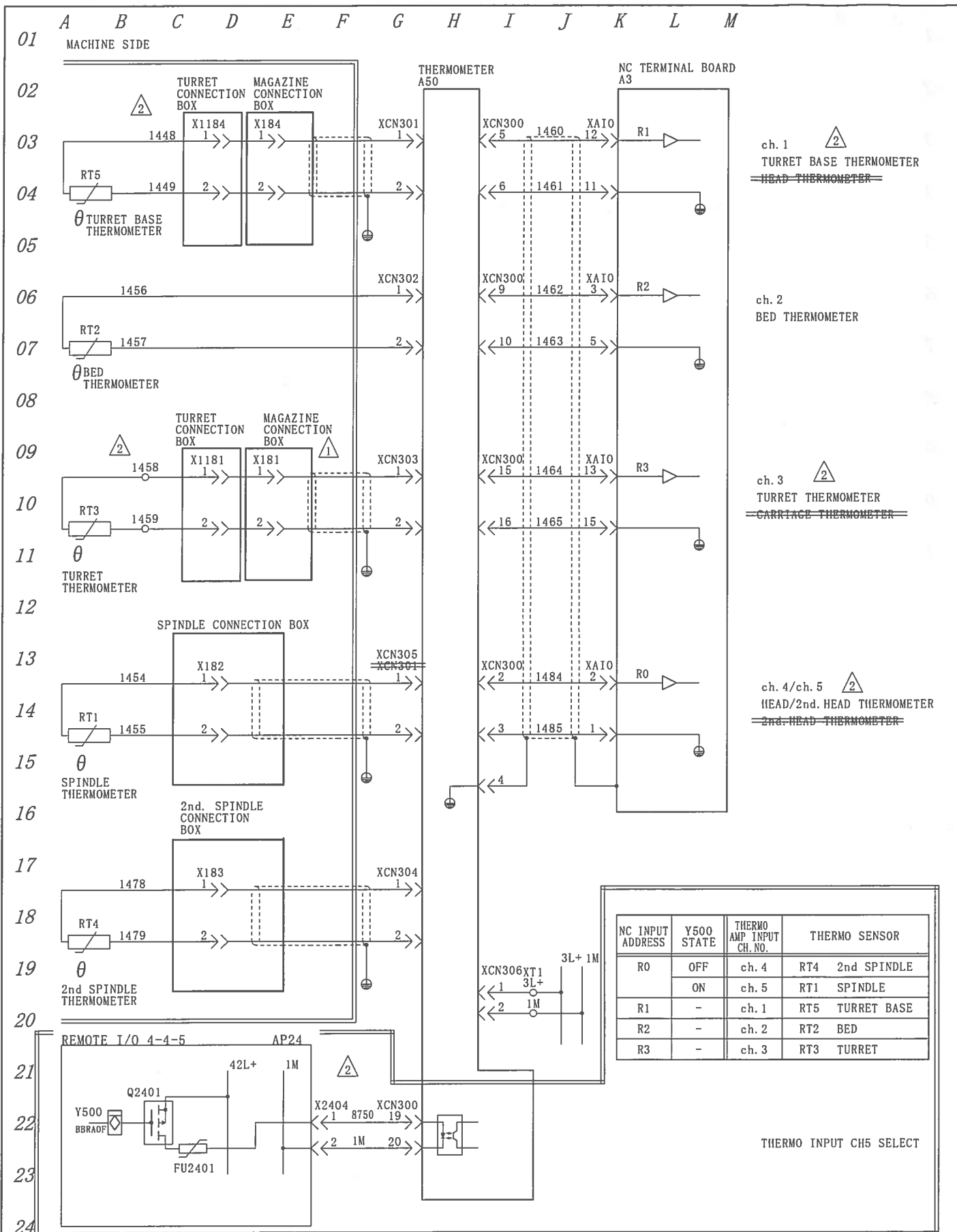
△			APR'D BY	CHK'D BY	DRWN BY	TITLE
△					04/12/02	DOOR LOCK UNIT
△			H. GOTO	H. GOTO	H. I. NAGAKI	DRWN NO. 372070401151
△	ADD AUTO DOOR SPEC	'04.10.30 H.N.	Mazak YAMAZAKI MAZAK CORPORATION			

This product is subject to all applicable Japanese Foreign Exchange and Foreign Trade Law
 本品は『外国為替及び外国貿易法』に該当しますので外国に輸出する場合には同法に基づく許可を必要とします。



△		 YAMAZAKI MAZAK CORPORATION	APR'D BY	CHK'D BY	DRWN BY	TITLE
△					03/07/08	PC INPUT DOOR INTERLOCK
△			H GOTO	H GOTO	H I NAGAKI	DRWN NO. 372070401160
△						
△						

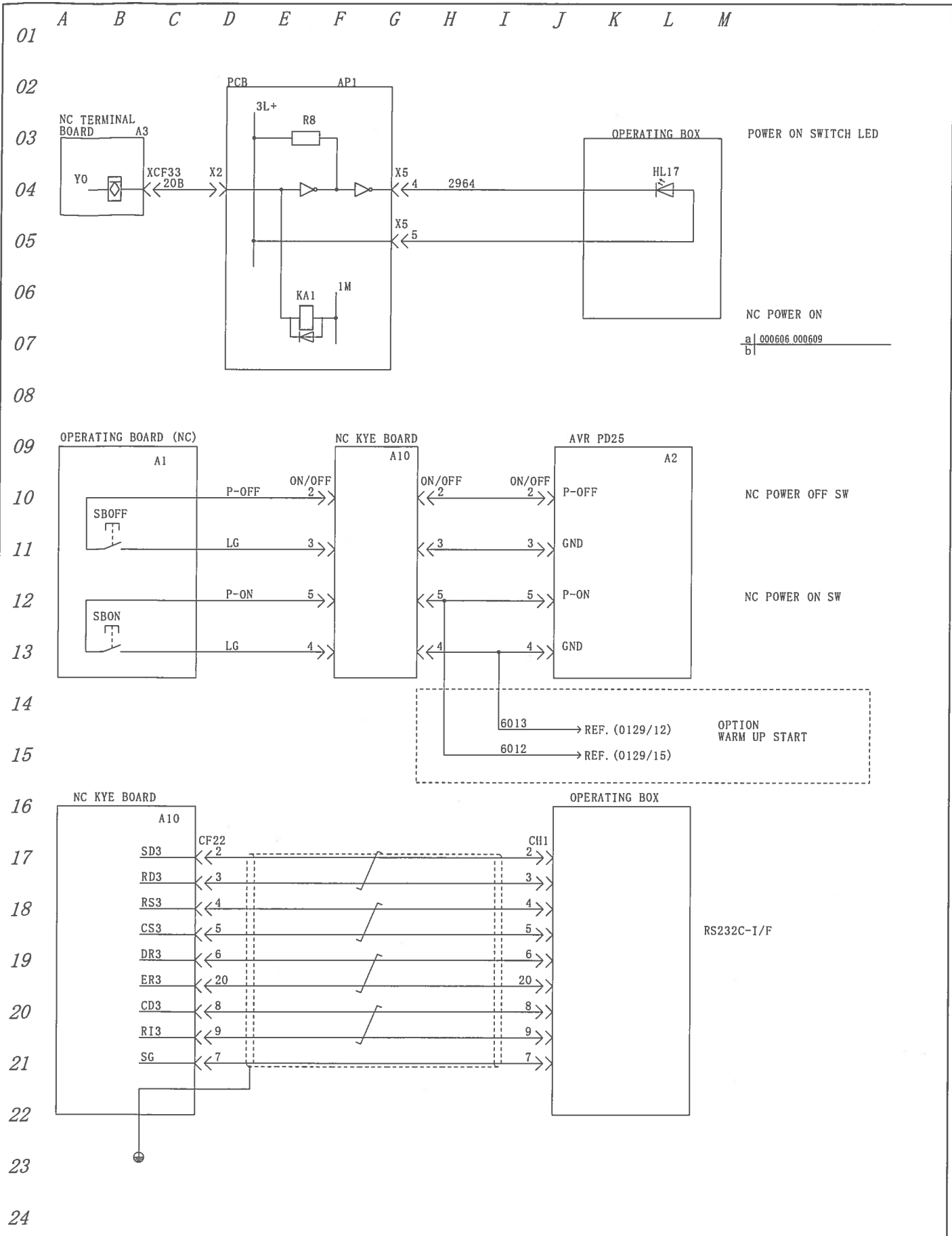
This product is subject to all applicable Japanese Foreign Exchange and Foreign Trade Law
 本品は『外国為替及び外国貿易法』に該当しますので外国に輸出する場合には同法に基づく許可を必要とします。



△		APR'D BY	CHK'D BY	DRWN BY	TITLE
△				04/06/28	THERMO. ANALOG I INPUT
△	CHANGE	'04.05.07.H.N		H I NAGAKI	DRWN NO.
△	Change	'03.09.01 H.I			372070401202

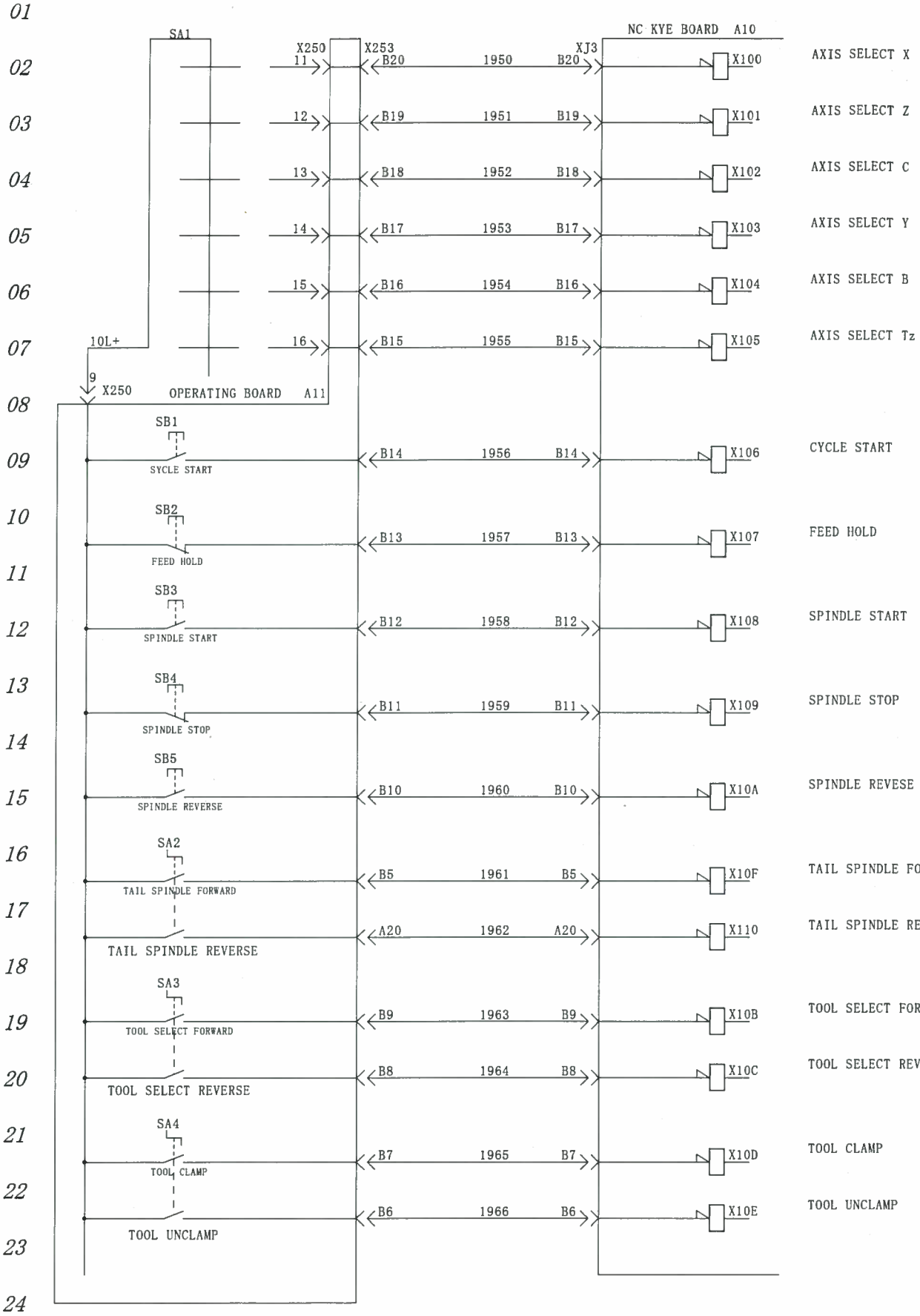
Mazak
YAMAZAKI MAZAK CORPORATION

This product is subject to all applicable Japanese Foreign Exchange and Foreign Trade Law
 本品は『外国為替及び外国貿易法』に該当しますので外国に輸出する場合には同法に基づく許可を必要とします。



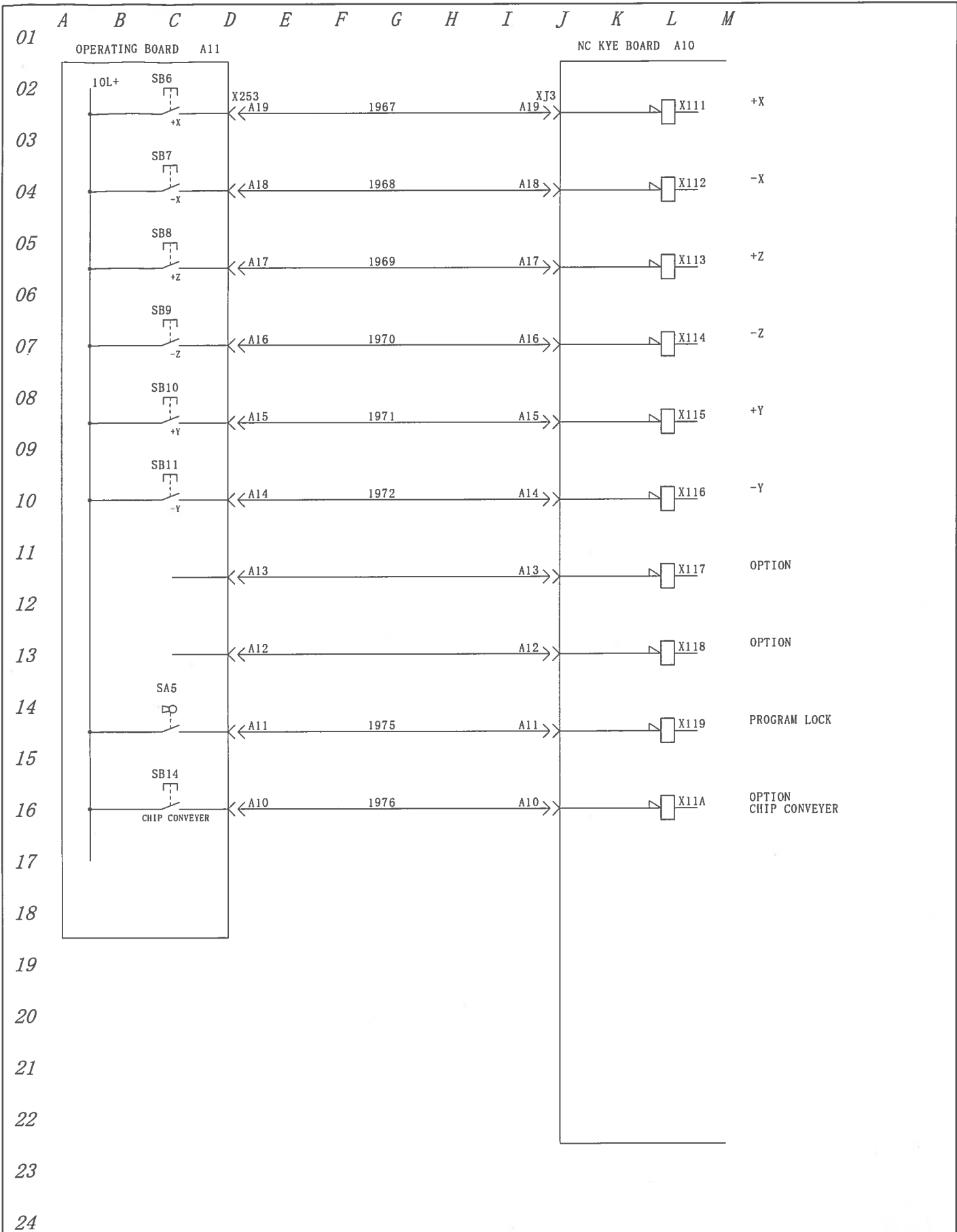
△		 Mazak YAMAZAKI MAZAK CORPORATION	APR'D BY	CHK'D BY	DRWN BY	TITLE
△					03/07/08	POWER ON LED/RS232C
△			H GOTO	H GOTO	H I NAGAKI	DRWN NO. 372070401210
△						
△						

This product is subject to all applicable Japanese Foreign Exchange and Foreign Trade Law
 本品は『外国為替及び外国貿易法』に該当しますので外国に輸出する場合には同法に基づく許可を必要とします。



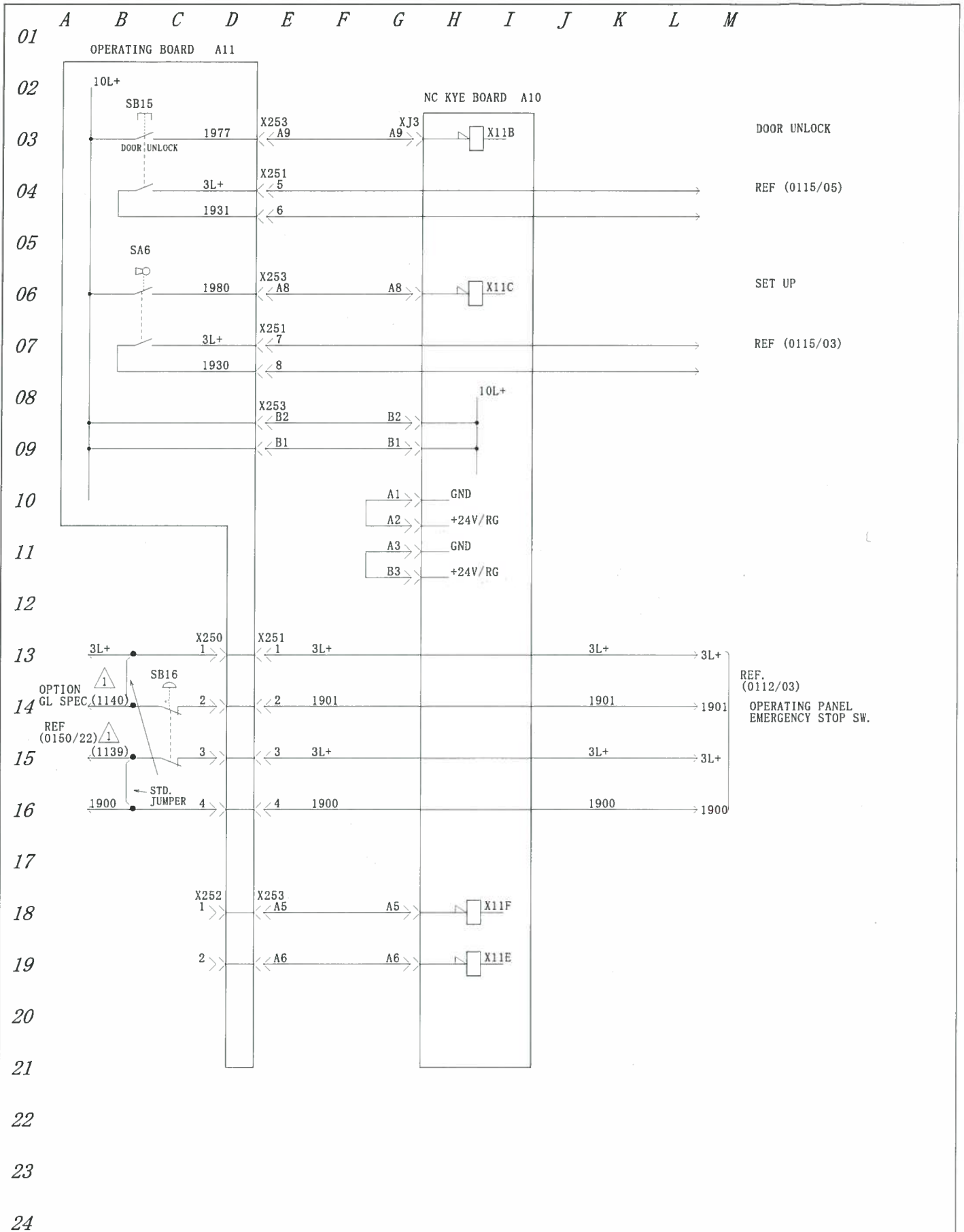
△		 YAMAZAKI MAZAK CORPORATION	APR'D BY	CHK'D BY	DRWN BY	TITLE
△			H. GOTO	H. GOTO	H. INAGAKI	OPERATING BOARD INPUT (1)
△						DRWN NO. 372070401220
△						

This product is subject to all applicable Japanese Foreign Exchange and Foreign Trade Law
 本品は『外国為替及び外国貿易法』に該当しますので外国に輸出する場合には同法に基づく許可を必要とします。



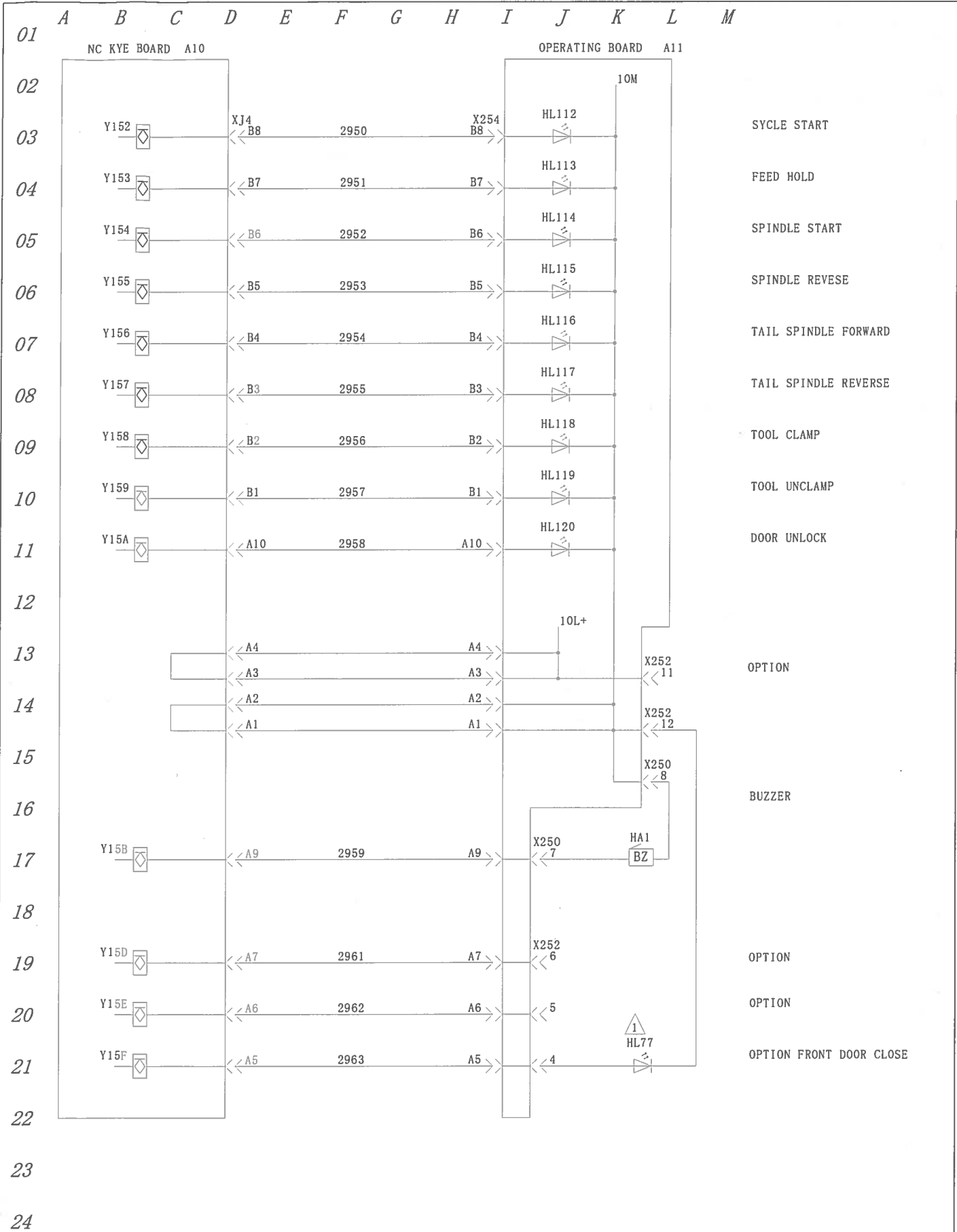
△		 YAMAZAKI MAZAK CORPORATION	APR' D BY	CHK' D BY	DRWN BY	TITLE
△			H GOTO	H GOTO	H I NAGAKI	OPERATING BOARD INPUT(2)
△						DRWN NO. 372070401230
△						

This product is subject to all applicable Japanese Foreign Exchange and Foreign Trade Law
 本品は『外国為替及び外国貿易法』に該当しますので外国に輸出する場合には同法に基づく許可を必要とします。



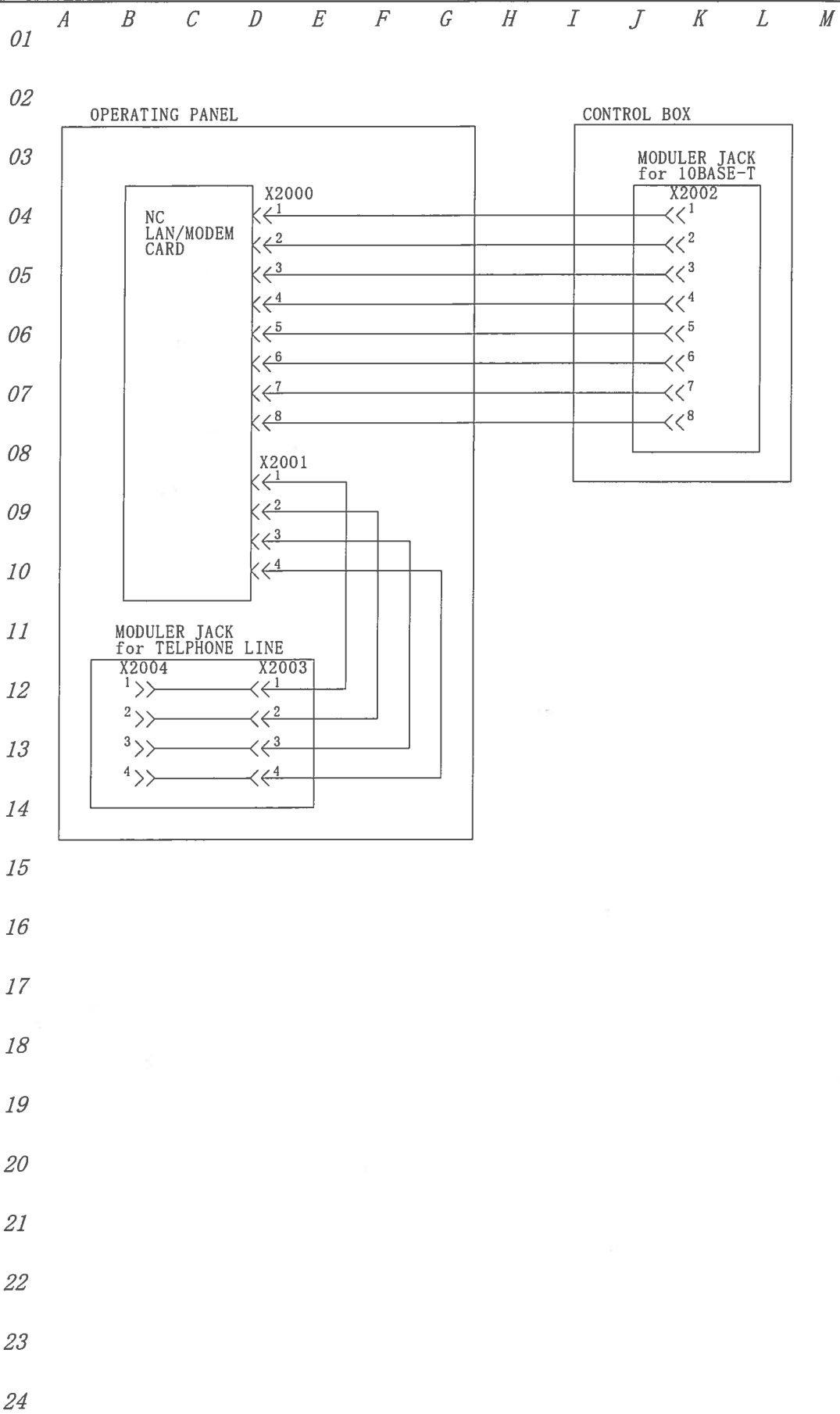
△			APR'D BY	CHK'D BY	DRWN BY	TITLE
△					04/12/02	OPERATING BOARD INPUT (3)
△			H GOTO	H GOTO	H I NAGAKI	DRWN NO. 372070401241
△	ADD OPTION	'04.10.30 H.N	Mazak YAMAZAKI MAZAK CORPORATION			


This product is subject to all applicable Japanese Foreign Exchange and Foreign Trade Law
 本品は『外国為替及び外国貿易法』に該当しますので外国に輸出する場合には同法に基づく許可を必要とします。



△			APR'D BY	CHK'D BY	DRWN BY	TITLE
△					04/12/02	OPERATING BOARD OUTPUT
△			H GOTO	H GOTO	H I NAGAKI	DRWN NO. 372070401251
△	CHANGE	'04.10.30 H.N				

This product is subject to all applicable Japanese Foreign Exchange and Foreign Trade Law
 本品は『外国為替及び外国貿易法』に該当しますので外国に輸出する場合には同法に基づく許可を必要とします。



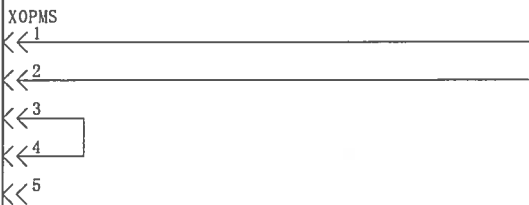
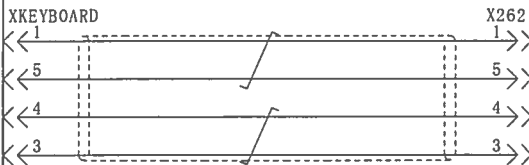
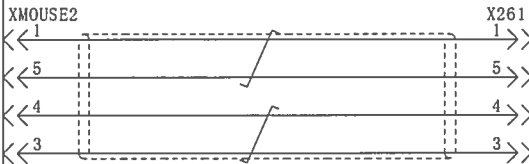
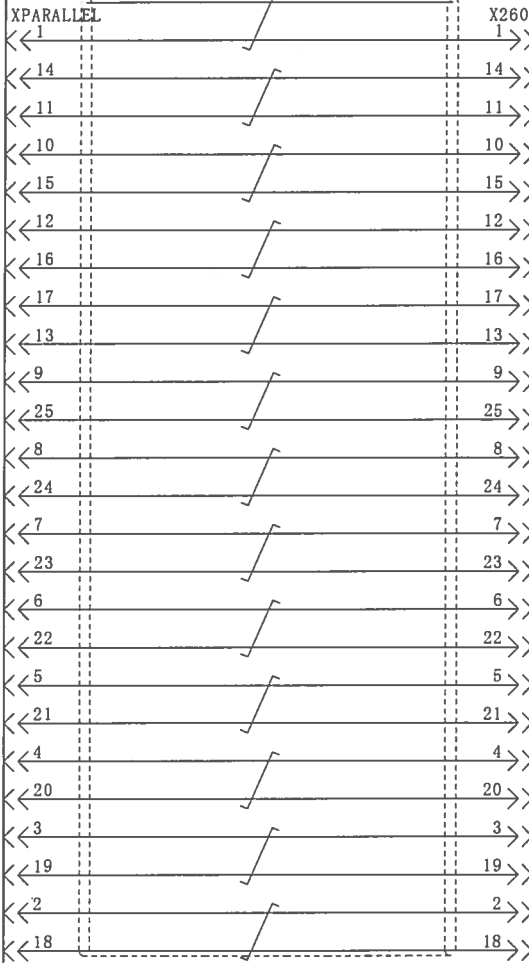
△		 YAMAZAKI MAZAK CORPORATION	APR'D BY	CHK'D BY	DRWN BY	TITLE
△			H. GOTO	H. GOTO	H. I. NAGAKI	NETWORK I/F
△						DRWN NO. 372070401260
△						
△						

This product is subject to all applicable Japanese Foreign Exchange and Foreign Trade Law
 本品は『外国為替及び外国貿易法』に該当しますので外国に輸出する場合には同法に基づく許可を必要とします。

01
02
03
04
05
06
07
08
09
10
11
12
13
14
15
16
17
18
19
20
21
22
23
24

A2 NC KEYBOARD

A1



OPERATING PANEL

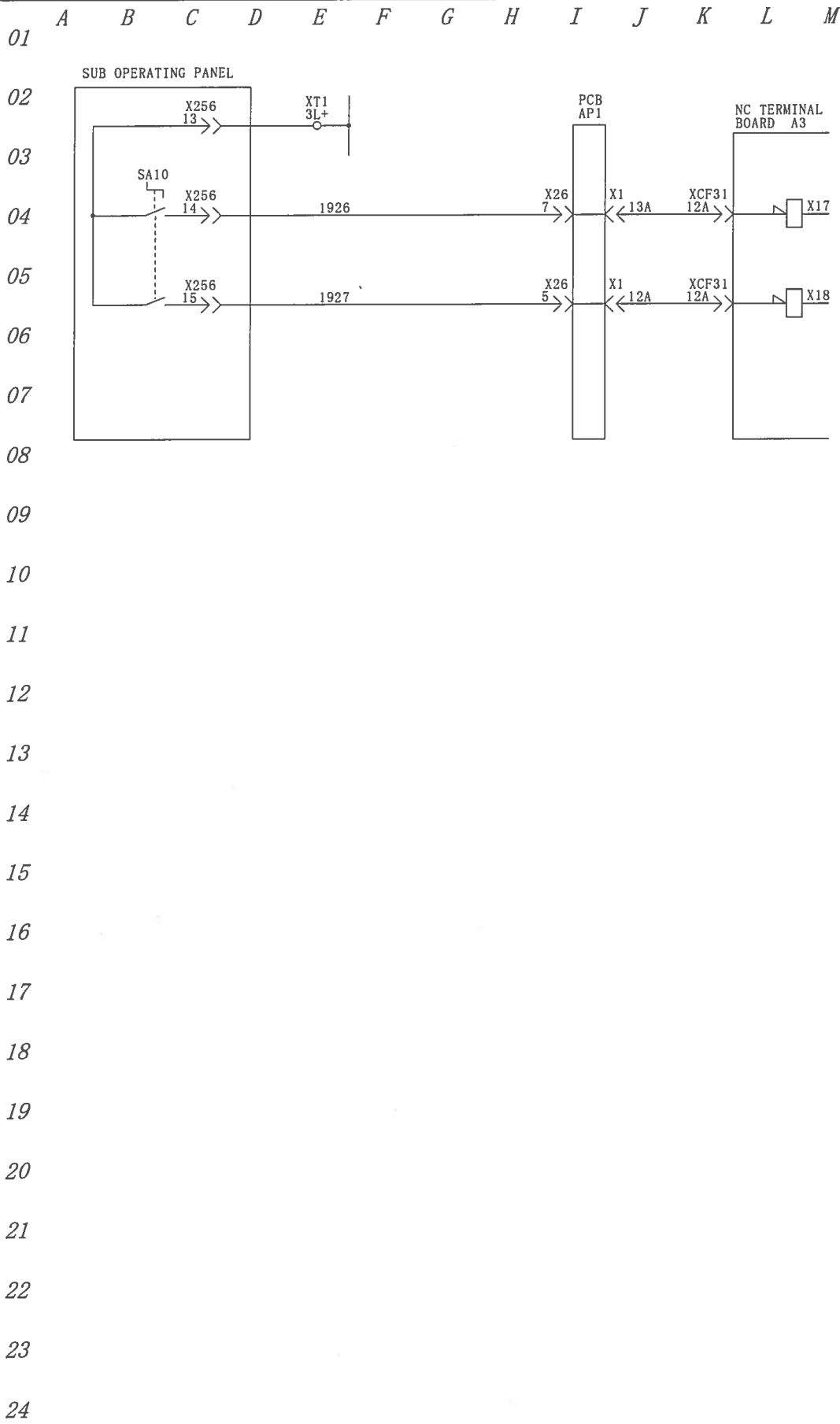
PARALLEL-I/F

MOUSE-I/F

SA44

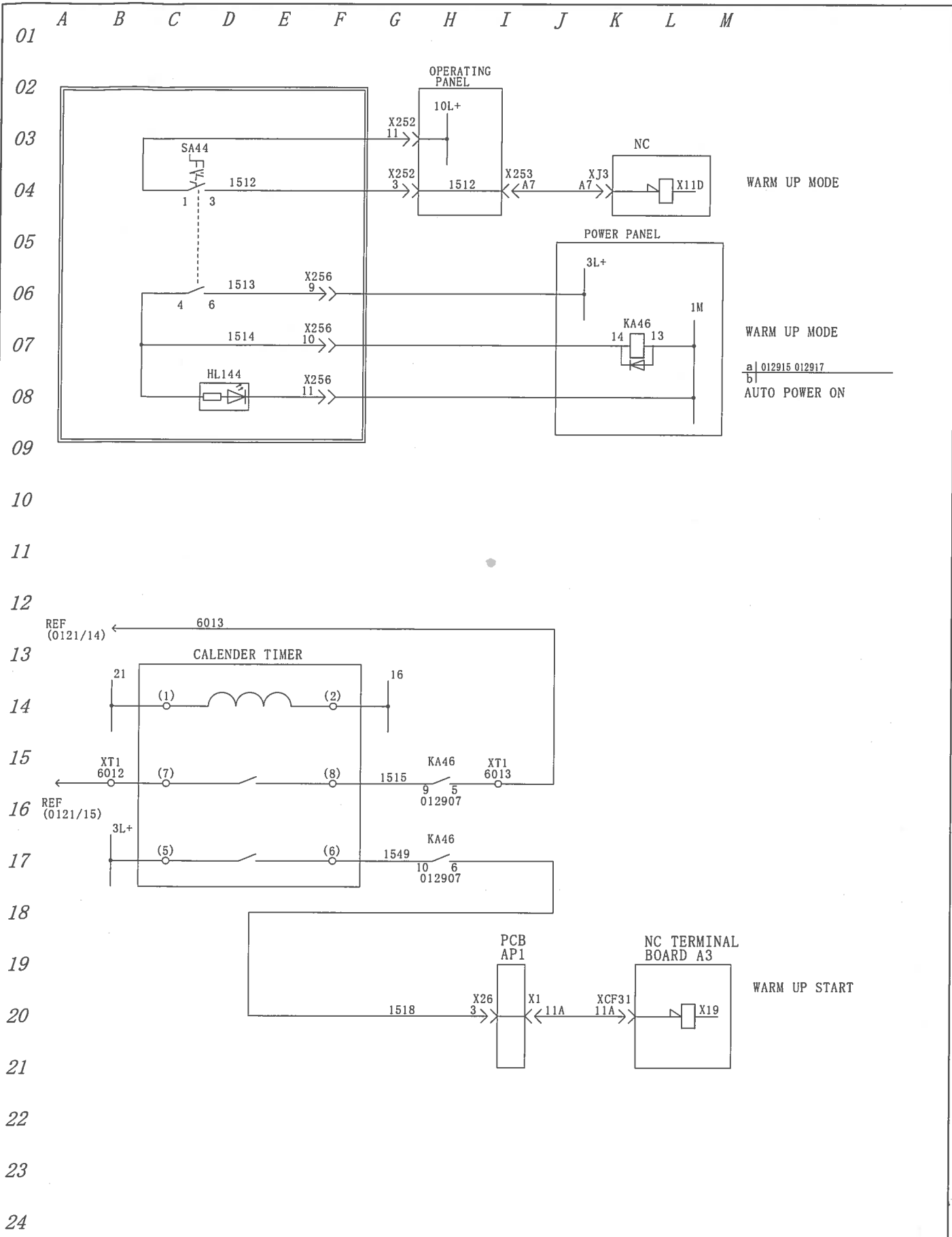
△		APR'D BY	CHK'D BY	DRWN BY	TITLE
△				03/07/08	PARALLEL, MOUSE, KEYBOARD-I / F
△		H. GOTO	H. GOTO	H. I NAGAKI	DRWN NO. 372070401270
△		 YAMAZAKI MAZAK CORPORATION			

This product is subject to all applicable Japanese Foreign Exchange and Foreign Trade Law
 本品は『外国為替及び外国貿易法』に該当しますので外国に輸出する場合には同法に基づく許可を必要とします。



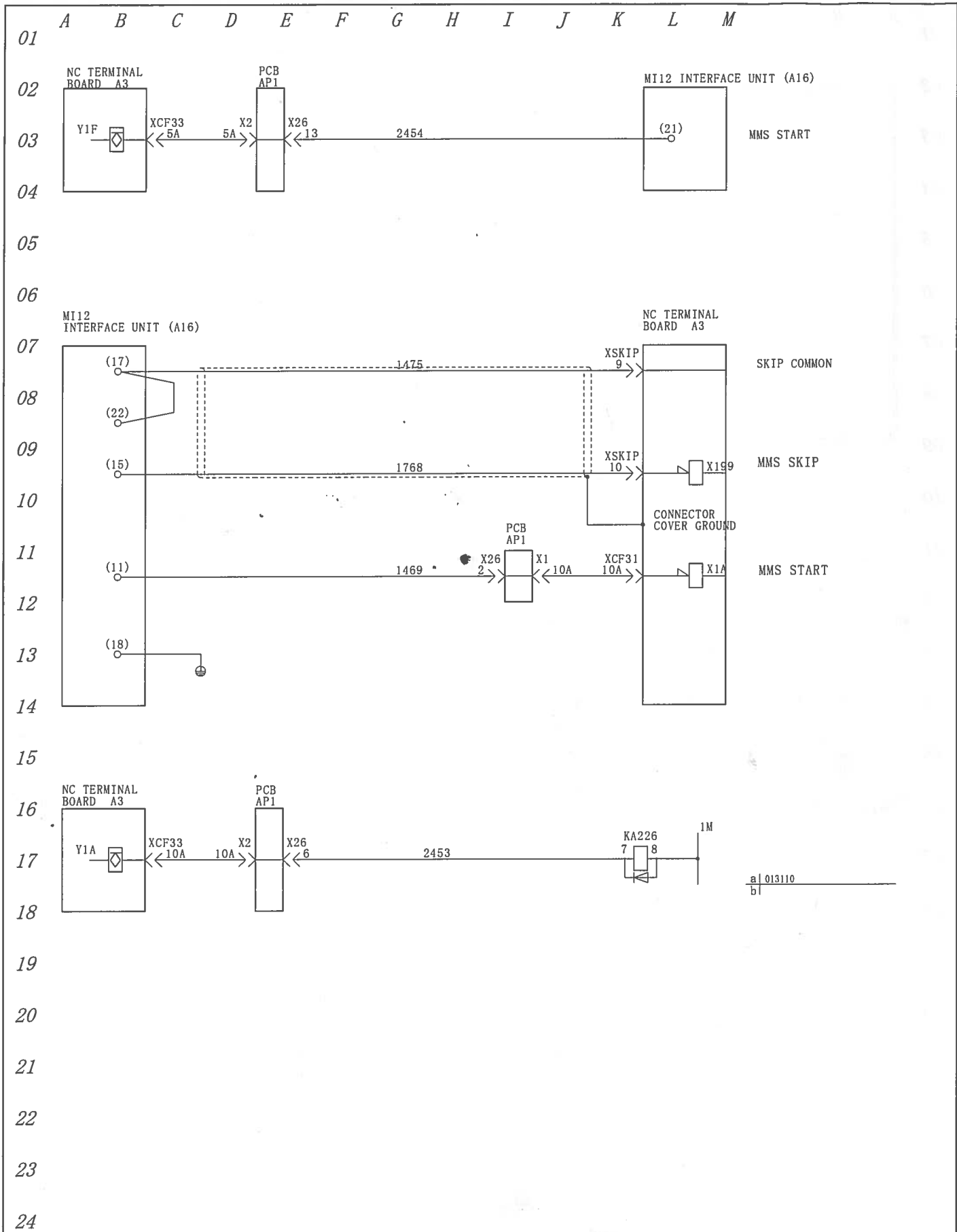
△		APR'D BY	CHK'D BY	DRWN BY	TITLE
△				03/07/08	OPTI ON FLASH TOOL
△				H. I. NAGAKI	CMD.
△		H. GOTO	H. GOTO		DRWN NO. 372070401280
△		Mazak YAMAZAKI MAZAK CORPORATION			

This product is subject to all applicable Japanese Foreign Exchange and Foreign Trade Law
 本品は『外国為替及び外国貿易法』に該当しますので外国に輸出する場合には同法に基づく許可を必要とします。




△		APR'D BY	CHK'D BY	DRWN BY	TITLE
△				03/07/08	OPTI ON WARM UP
△		H GOTO	H GOTO	H I NAGAKI	DRWN NO. 372070401290
△		Mazak YAMAZAKI MAZAK CORPORATION			

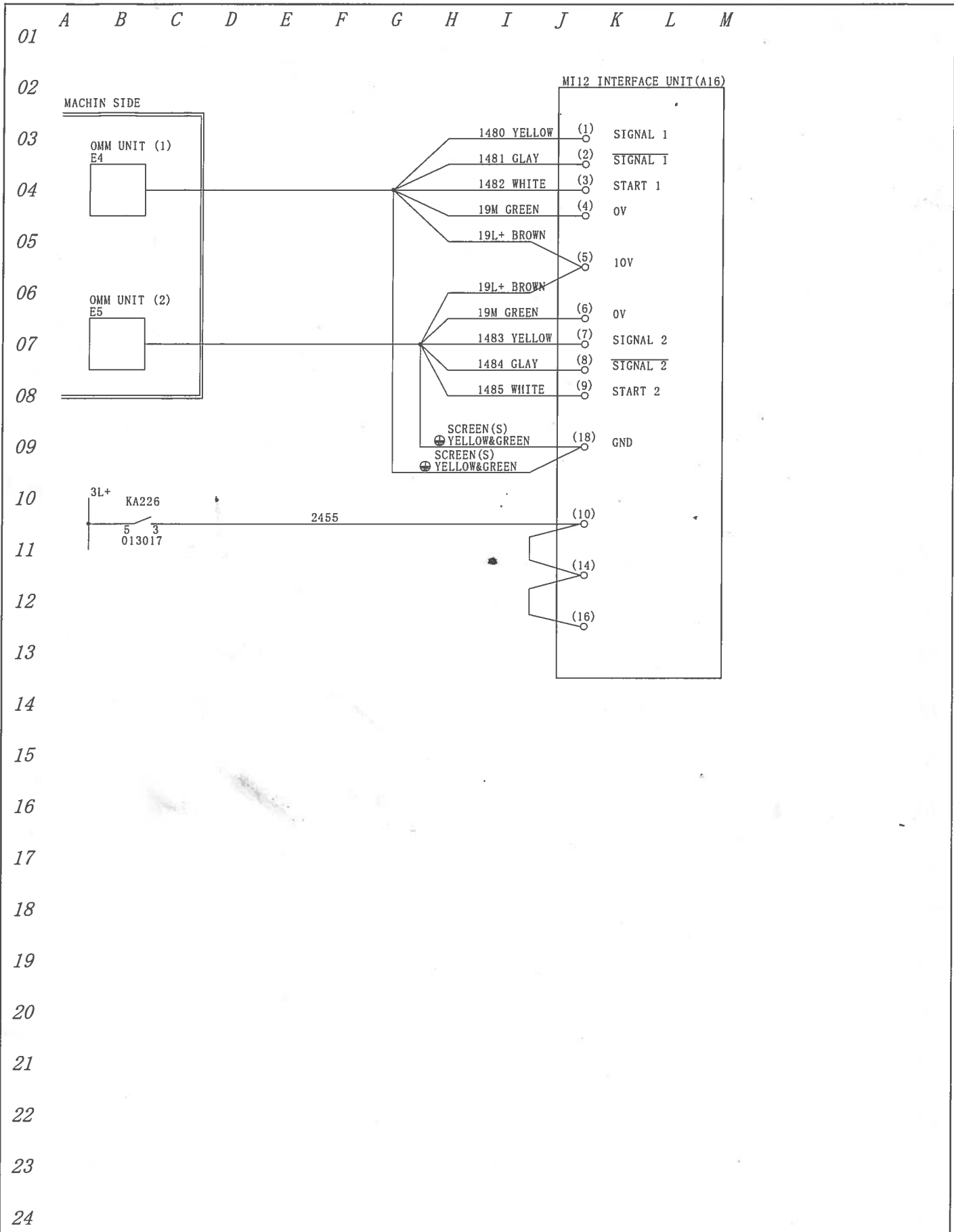
This product is subject to all applicable Japanese Foreign Exchange and Foreign Trade Law
 本品は『外国為替及び外国貿易法』に該当しますので外国に輸出する場合には同法に基づく許可を必要とします。



a | 013110
b |

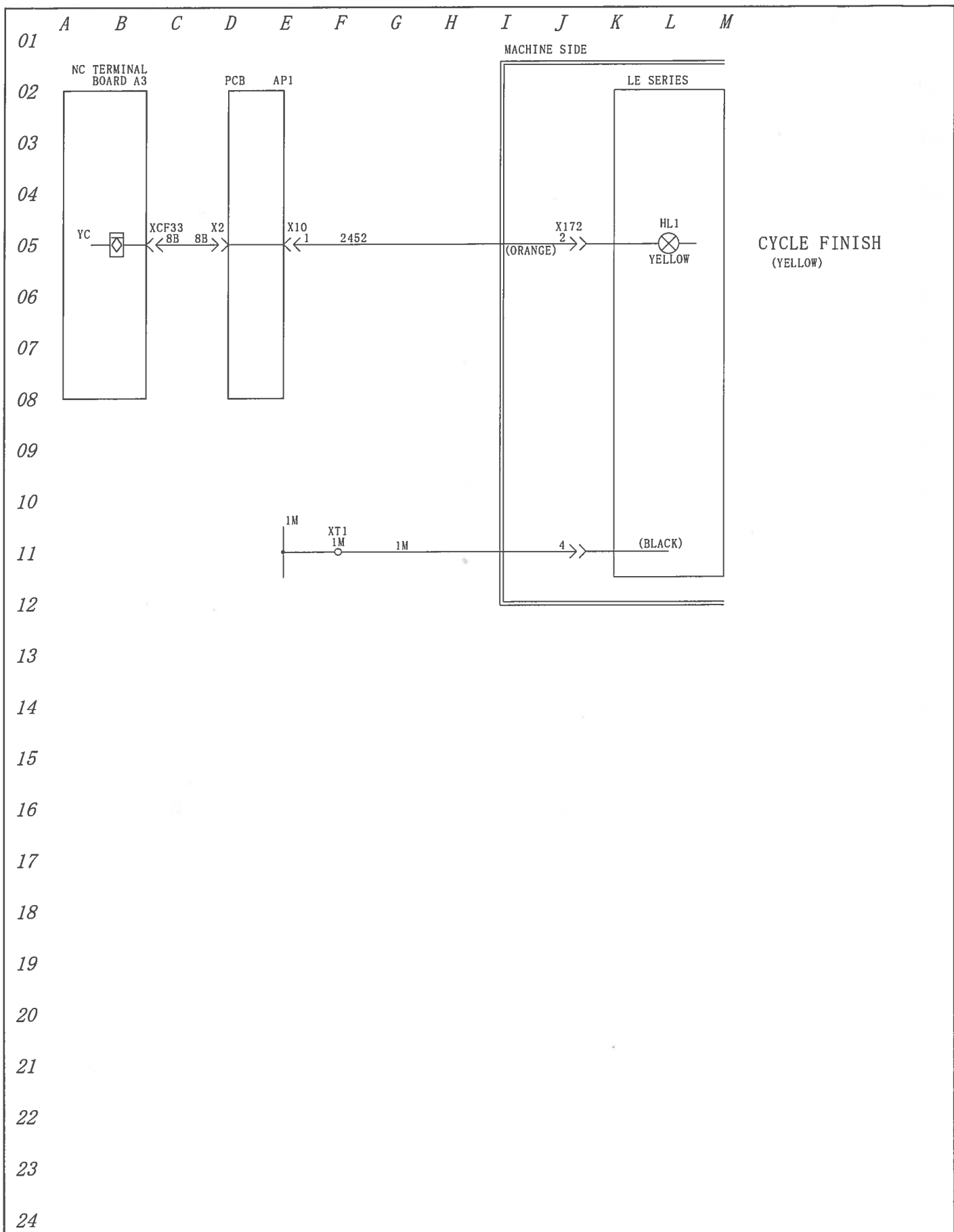
△		 YAMAZAKI MAZAK CORPORATION	APR'D BY	CHK'D BY	DRWN BY	TITLE
△			H. GOTO	H. GOTO	H. I. NAGAKI	OPTI ON OMM UNI T
△						DRWN NO. 372070401300
△						
△						

This product is subject to all applicable Japanese Foreign Exchange and Foreign Trade Law
 本品は『外国為替及び外国貿易法』に該当しますので外国に輸出する場合には同法に基づく許可を必要とします。



△		APR'D BY	CHK'D BY	DRWN BY	TITLE
△				03/07/08	OPTI ON OPTI CAL TOUCH SENSOR
△		H GOTO	H GOTO	H I NAGAKI	DRWN NO. 372070401310
△		Mazak YAMAZAKI MAZAK CORPORATION			

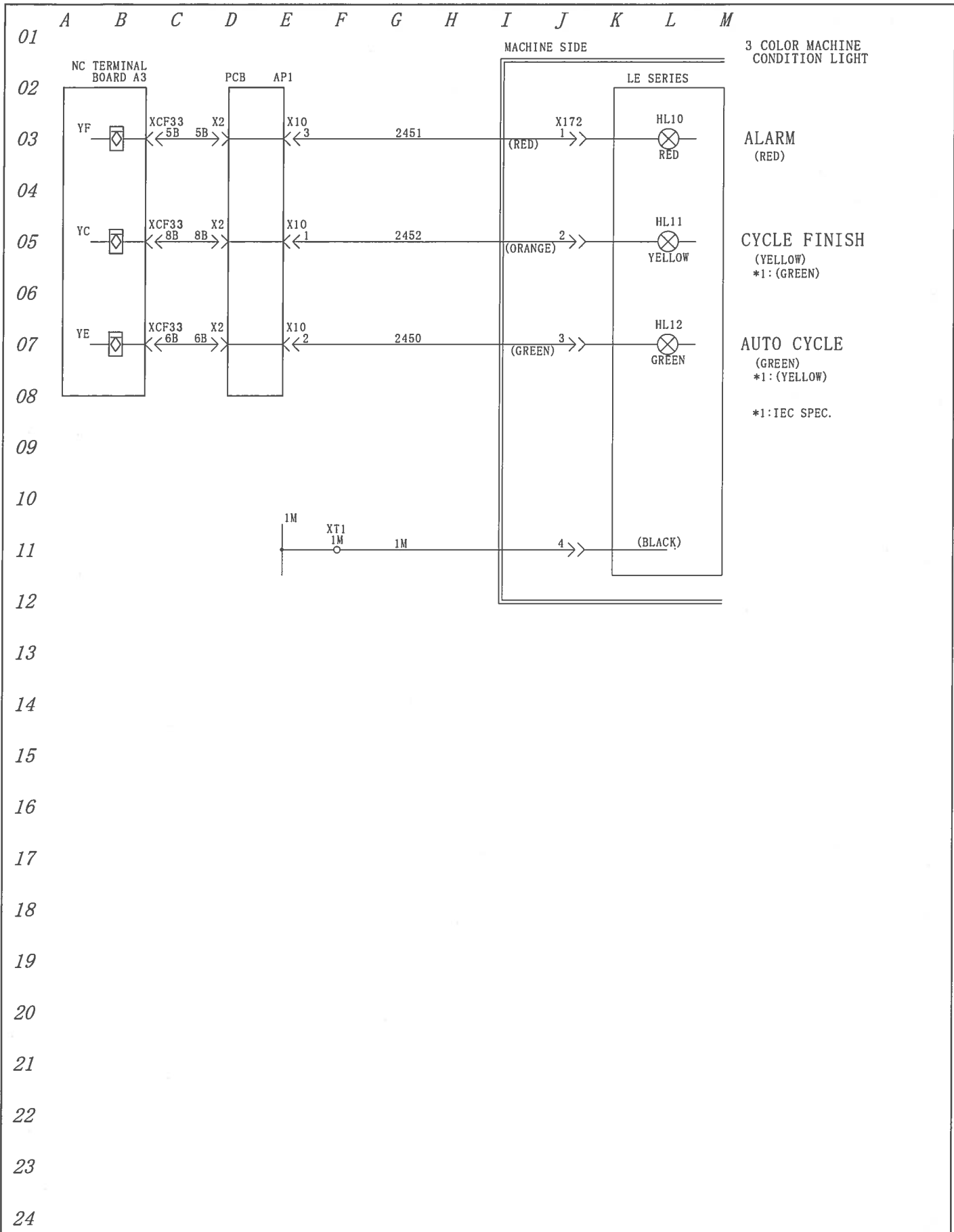
This product is subject to all applicable Japanese Foreign Exchange and Foreign Trade Law
 本品は『外国為替及び外国貿易法』に該当しますので外国に輸出する場合には同法に基づく許可を必要とします。



CYCLE FINISH
(YELLOW)

△		 YAMAZAKI MAZAK CORPORATION	APR'D BY	CHK'D BY	DRWN BY	TITLE
△			H. GOTO	H. GOTO	H. I. NAGAKI	OPTI ON I NDI CATOR LI GHT (CYCLE FI NI SH)
△						DRWN NO. 372070401320
△						
△						

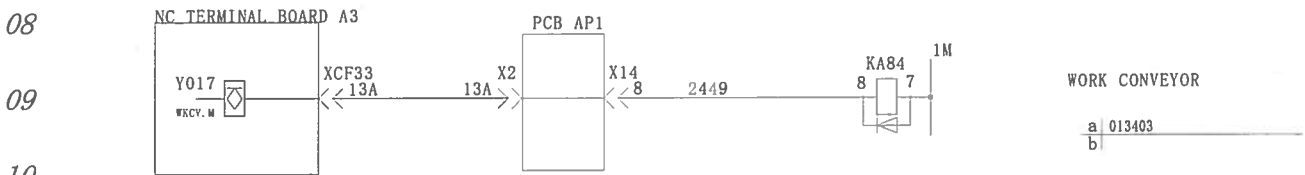
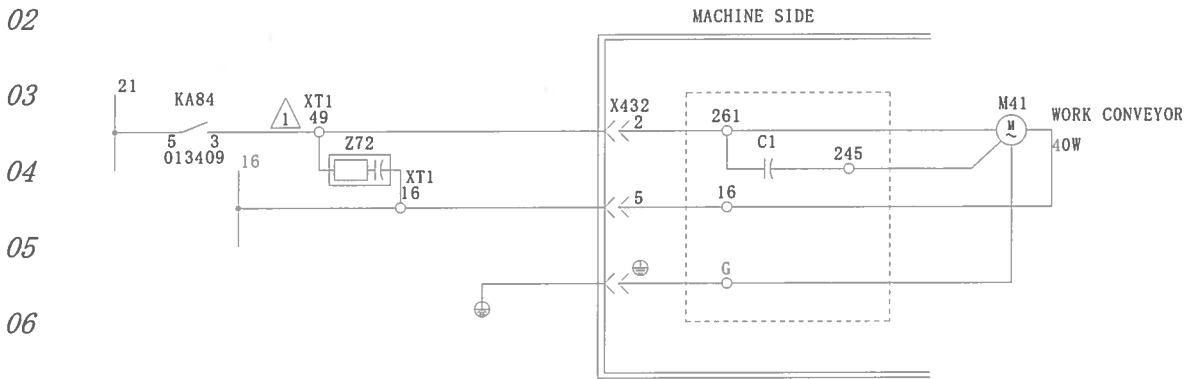
This product is subject to all applicable Japanese Foreign Exchange and Foreign Trade Law
 本品は『外国為替及び外国貿易法』に該当しますので外国に輸出する場合には同法に基づく許可を必要とします。



△		 YAMAZAKI MAZAK CORPORATION	APR'D BY	CHK'D BY	DRWN BY	TITLE
△			H. GOTO	H. GOTO	H. I. NAGAKI	OPTI ON I NDI CATOR LI GHT (3 COLOR)
△						DRWN NO. 372070401330
△						
△						

This product is subject to all applicable Japanese Foreign Exchange and Foreign Trade Law
 本品は『外国為替及び外国貿易法』に該当しますので外国に輸出する場合には同法に基づく許可を必要とします。

01 A B C D E F G H I J K L M



11

12

13

14

15

16

17

18

19

20

21

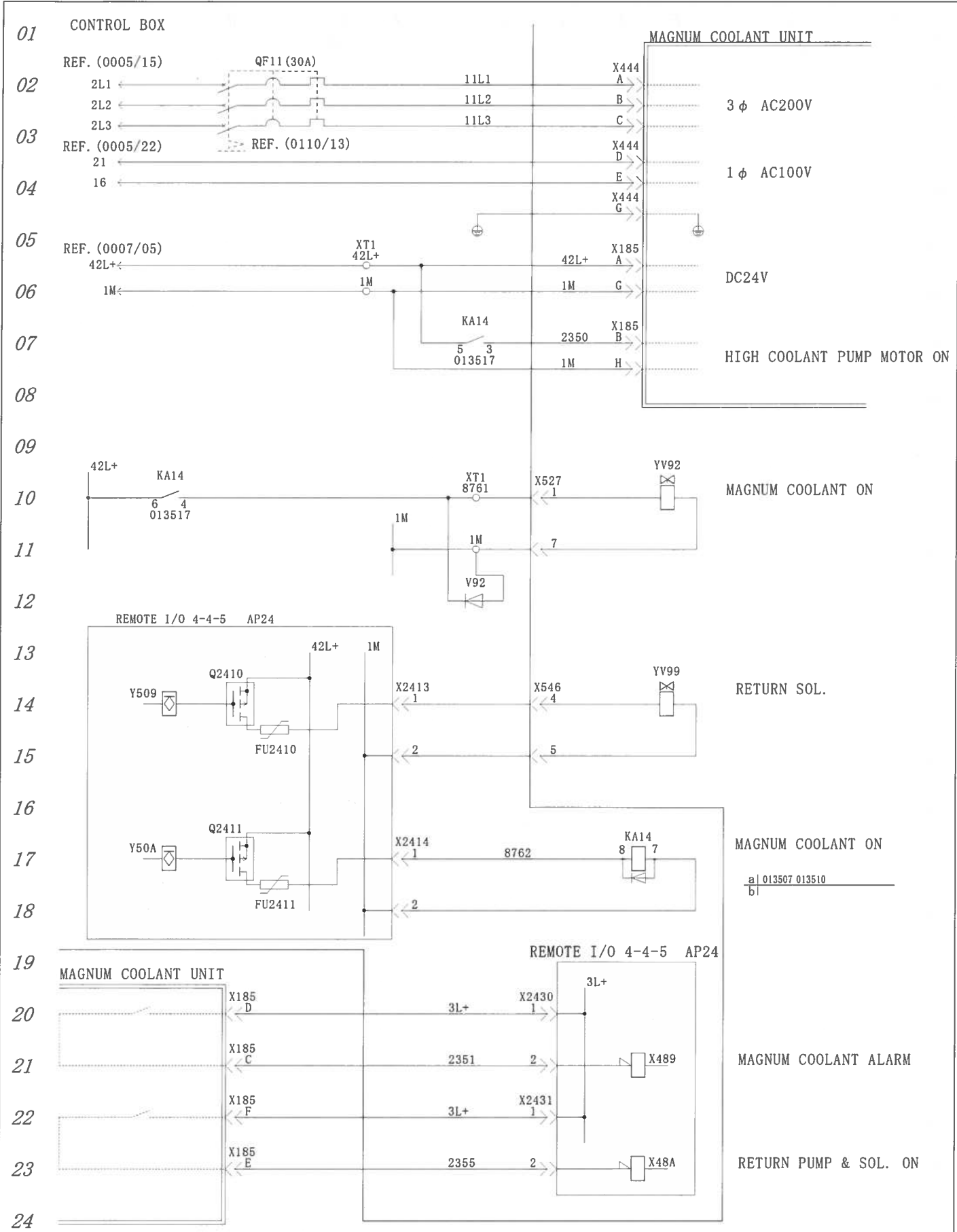
22

23

24

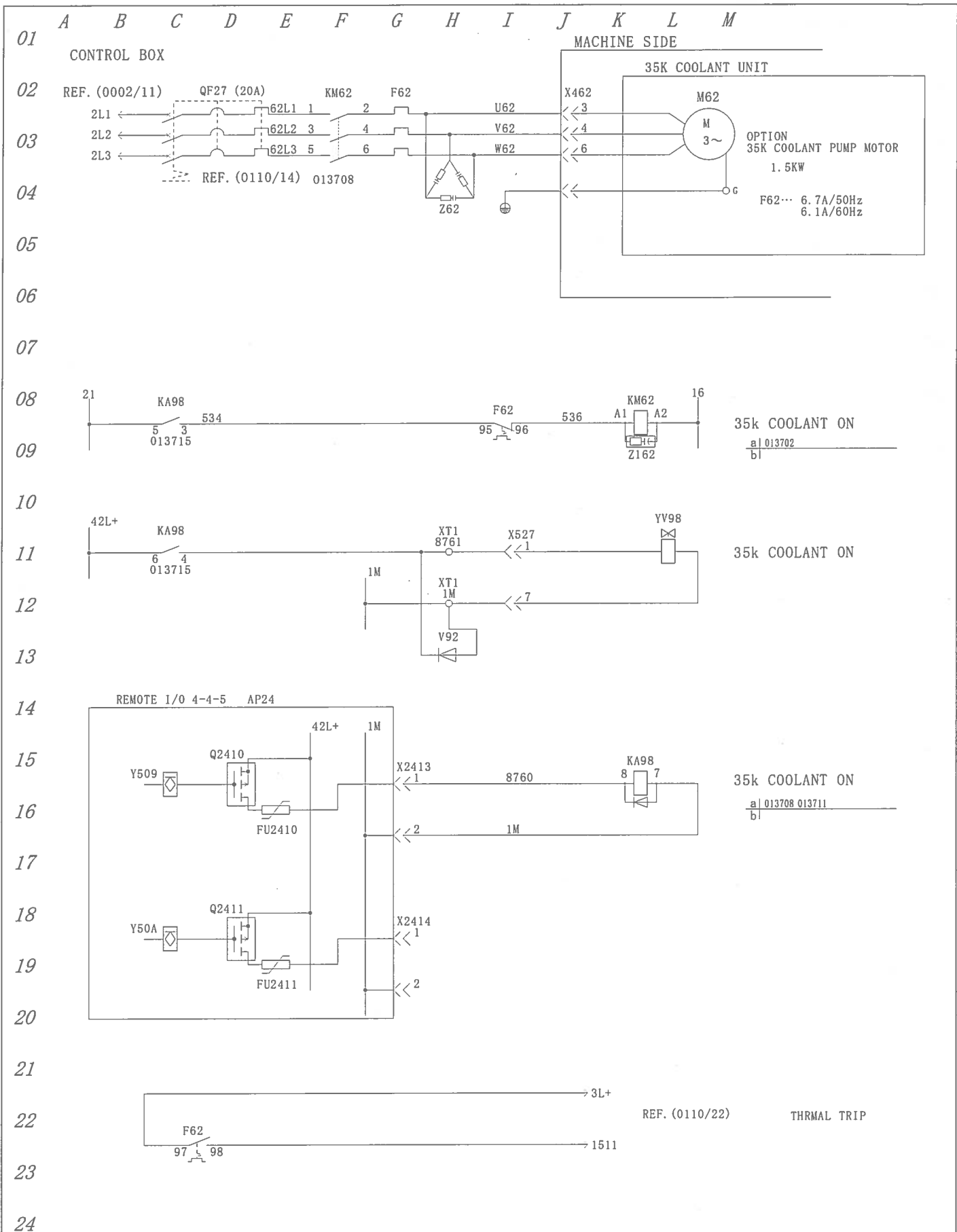
△			APR'D BY	CHK'D BY	DRWN BY	TITLE
△					04/12/02	OPTI ON WORK CONVEYOR
△			H. GOTO	H. GOTO	H. I. NAGAKI	DRWN NO. 372070401341
△	CHANGE	'04.10.30 H.N				

This product is subject to all applicable Japanese Foreign Exchange and Foreign Trade Law
 本品は『外国為替及び外国貿易法』に該当しますので外国に輸出する場合には同法に基づく許可を必要とします。



△			APR'D BY	CHK'D BY	DRWN BY	TITLE
△					04/12/02	OPTI ON MAGNUM COOLANT I/F
△			H GOTO	H GOTO	H I NAGAKI	DRWN NO. 372070401350
△						
△						

This product is subject to all applicable Japanese Foreign Exchange and Foreign Trade Law
 本品は『外国為替及び外国貿易法』に該当しますので外国に輸出する場合には同法に基づく許可を必要とします。

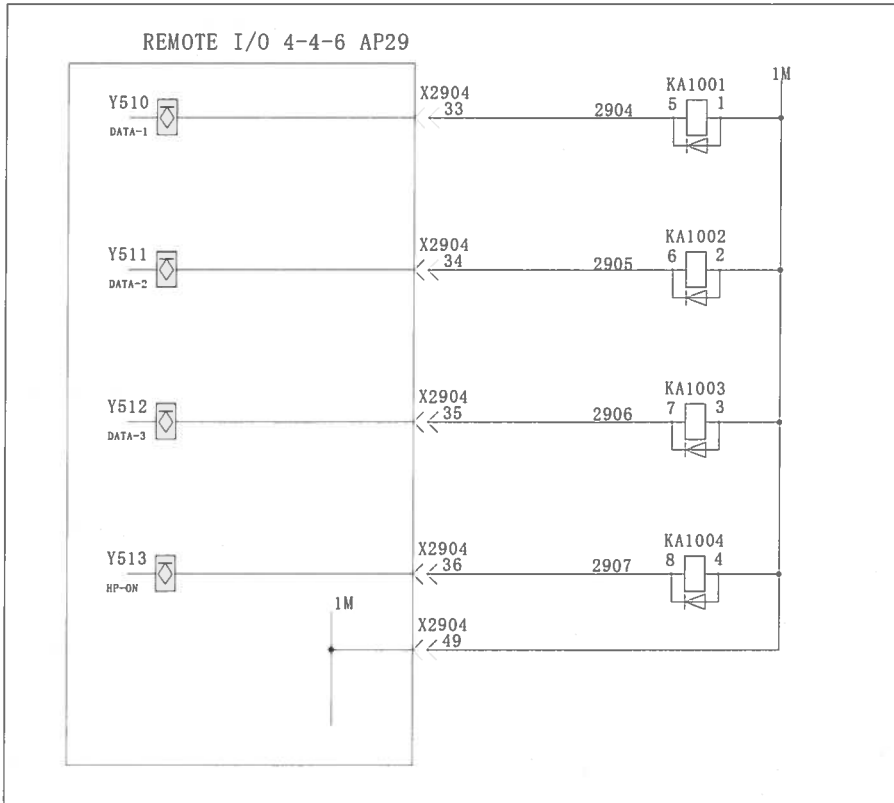


△		Mazak YAMAZAKI MAZAK CORPORATION	APR'D BY	CHK'D BY	DRWN BY	TITLE
△					04/12/02	OPTI ON 35k COOLANT I / F
△			H GOTO	H GOTO	H I NAGAKI	DRWN NO. 372070401370
△						
△						

This product is subject to all applicable Japanese Foreign Exchange and Foreign Trade Law
 本品は『外国為替及び外国貿易法』に該当しますので外国に輸出する場合には同法に基づく許可を必要とします。

01
02
03
04
05
06
07
08
09
10
11
12
13
14
15
16
17
18
19
20
21
22
23
24

CONTROL BOX



PRESSURE DATA 1

a| 014108
b|

PRESSURE DATA 2

a| 014109
b|

PRESSURE DATA 3

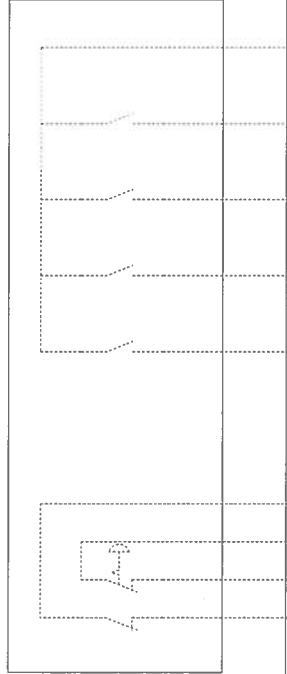
a| 014111
b|

HIGH PRESSURE COOLANT ON

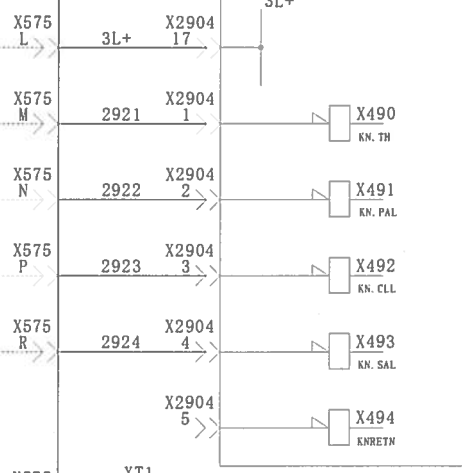
a| 014106
b|

MACHINE SIDE

YME HIGH PRESS COOLANT UNIT



REMOTE I/O 4-4-6 AP29



THERMAL TRIP
PRESSURE ALARM
COOLANT LEVEL LOW
COOLANT SYSTEM ALARM
RETURN SOL. ON
NOT USE
KNOLL COOLANT UNIT
EMERGENCY STOP

REF.
(0112/18)

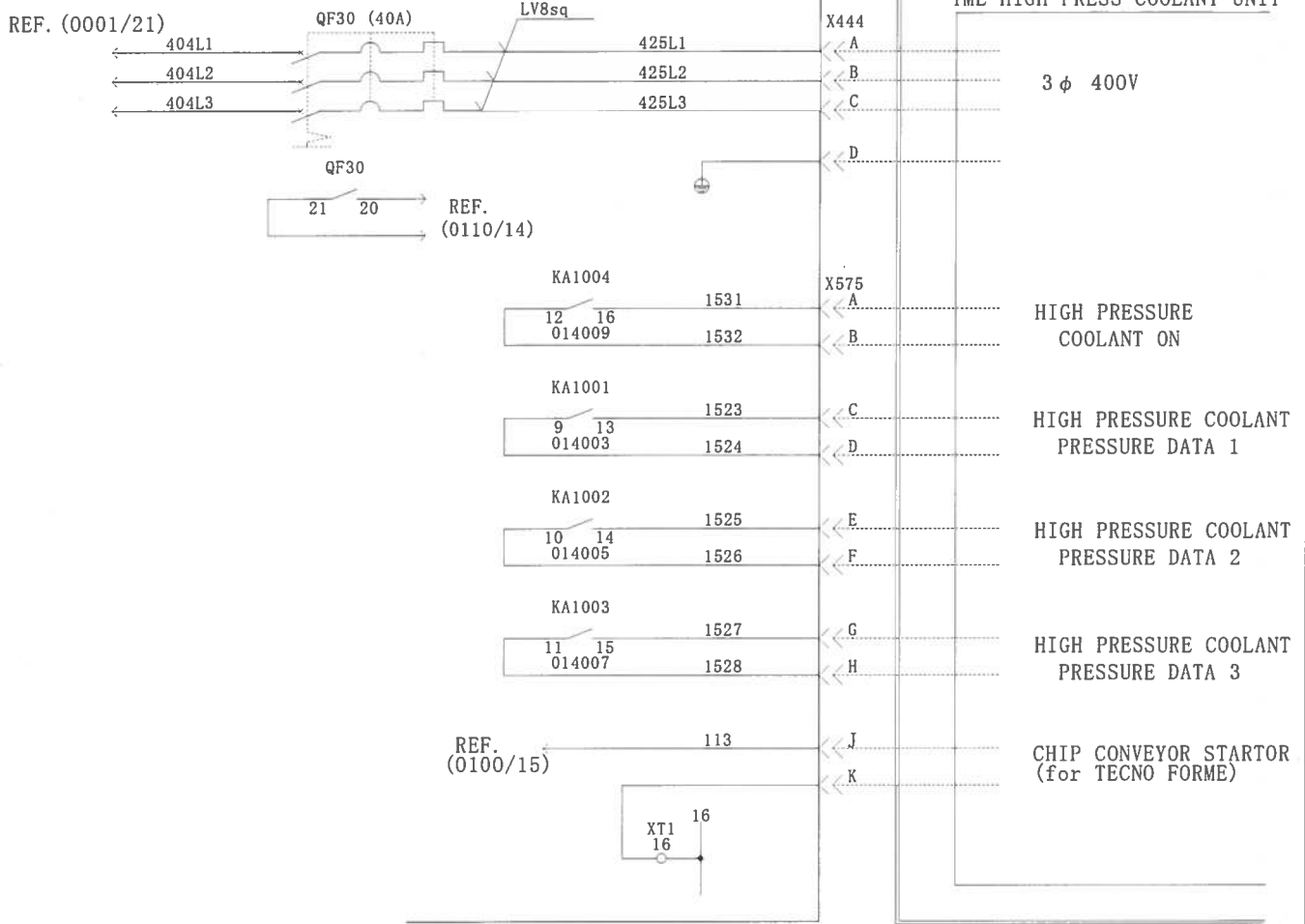
△		 YAMAZAKI MAZAK CORPORATION	APR'D BY	CHK'D BY	DRWN BY	TITLE OPTION
△			H GOTO	H GOTO	H I NAGAKI	YME HIGH PRESS COOLANT I / F (1)
△						DRWN NO. 372070401400
△						
△						

This product is subject to all applicable Japanese Foreign Exchange and Foreign Trade Law
 本品は『外国為替及び外国貿易法』に該当しますので外国に輸出する場合には同法に基づく許可を必要とします。

01
02
03
04
05
06
07
08
09
10
11
12
13
14
15
16
17
18
19
20
21
22
23
24

CONTROL BOX

MACHINE SIDE

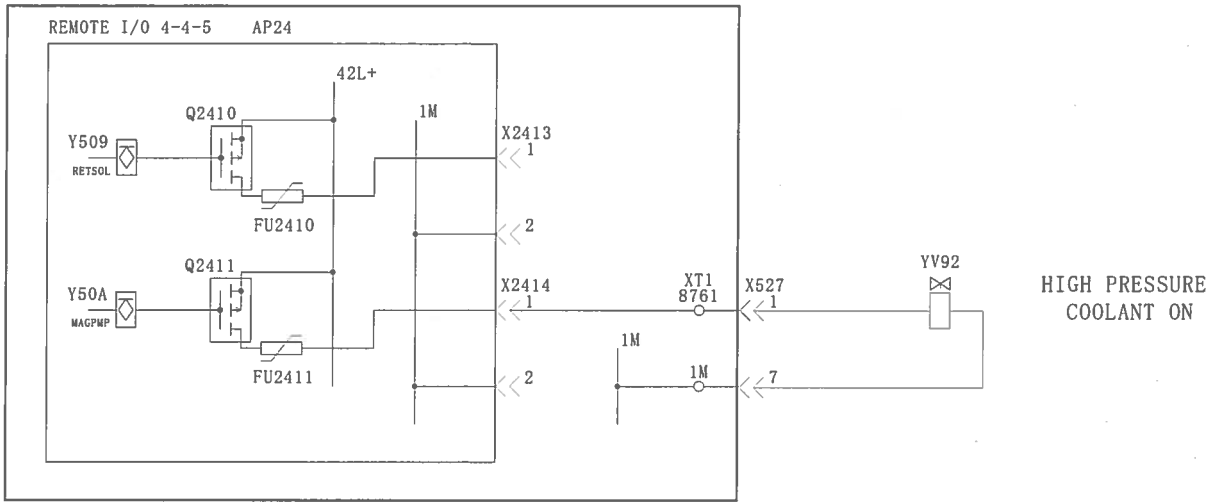


△		 YAMAZAKI MAZAK CORPORATION	APR' D BY	CHK' D BY	DRWN BY	TITLE OPTION
△					04/12/02	YME HIGH PRESS COOLANT I/F(2)
△			H. GOTO	H. GOTO	H. I. NAGAKI	DRWN NO. 372070401410
△						
△						

This product is subject to all applicable Japanese Foreign Exchange and Foreign Trade Law
 本品は『外国為替及び外国貿易法』に該当しますので外国に輸出する場合には同法に基づく許可を必要とします。

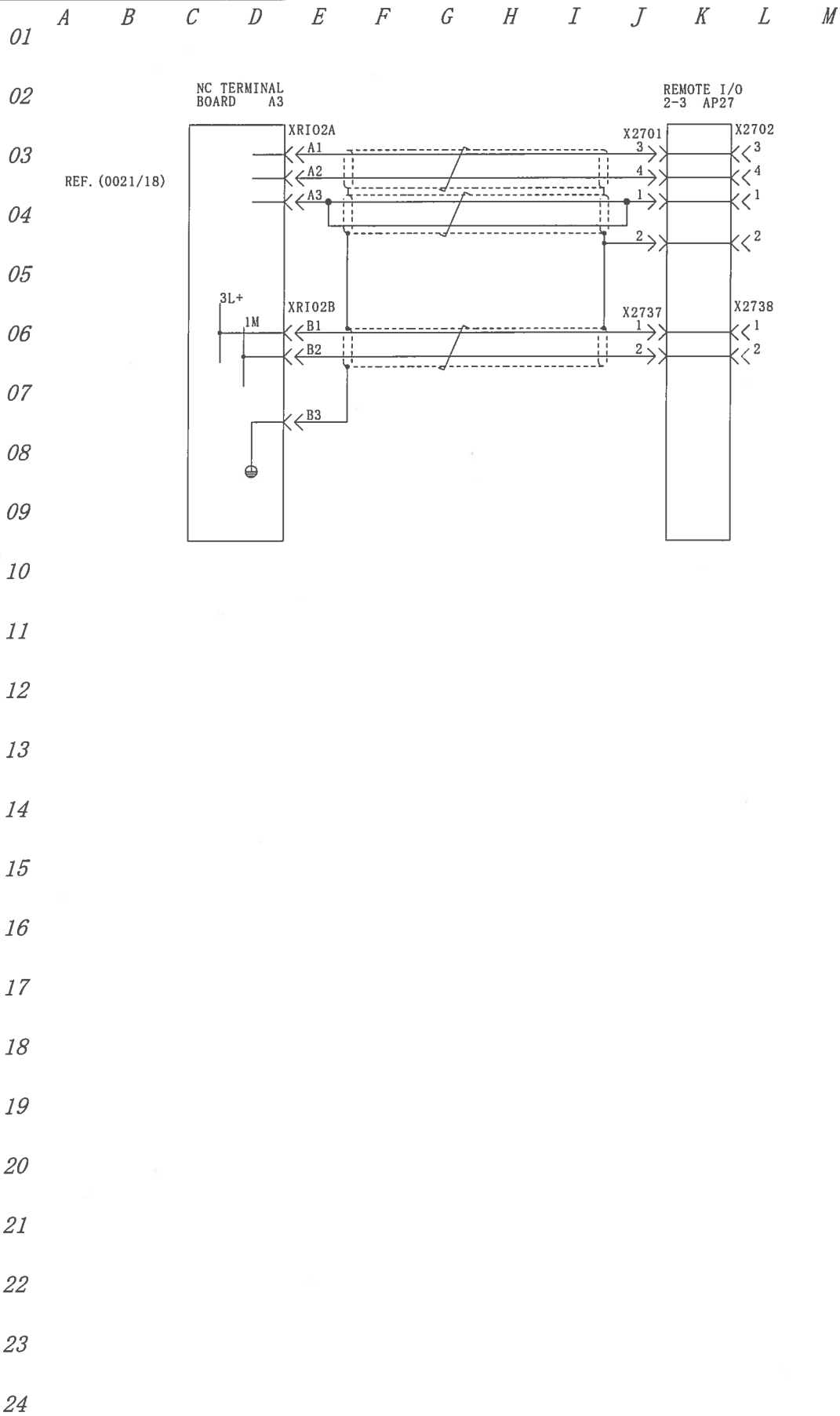
01
02
03
04
05
06
07
08
09
10
11
12
13
14
15
16
17
18
19
20
21
22
23
24

CONTROL BOX



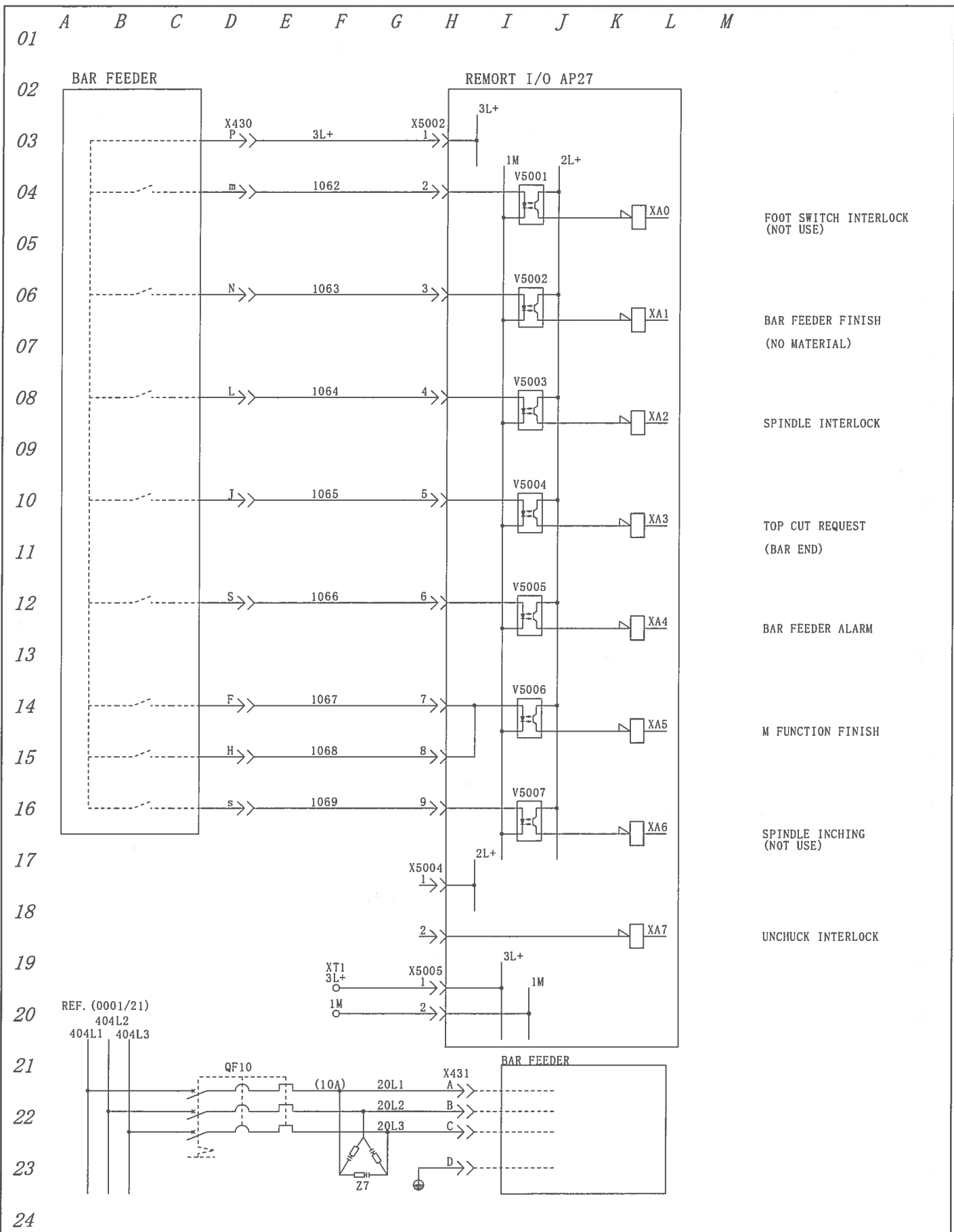
△		 YAMAZAKI MAZAK CORPORATION	APR'D BY	CHK'D BY	DRWN BY	TITLE
△					04/12/02	OPTI ON COOLANT SOLENOI D
△			H. GOTO	H. GOTO	H. I. NAGAKI	DRWN NO. 372070401420
△						
△						

This product is subject to all applicable Japanese Foreign Exchange and Foreign Trade Law
 本品は『外国為替及び外国貿易法』に該当しますので外国に輸出する場合には同法に基づく許可を必要とします。



△		 YAMAZAKI MAZAK CORPORATION	APR'D BY	CHK'D BY	DRWN BY	TITLE	
△			H. GOTO	H. GOTO	H. I. NAGAKI	03/07/08	REMOTE I/O IN YMIK CYCLE B/F I/F
△							DRWN NO. 372070401440
△							

This product is subject to all applicable Japanese Foreign Exchange and Foreign Trade Law
 本品は『外国為替及び外国貿易法』に該当しますので外国に輸出する場合には同法に基づく許可を必要とします。



FOOT SWITCH INTERLOCK
(NOT USE)

BAR FEEDER FINISH
(NO MATERIAL)

SPINDLE INTERLOCK

TOP CUT REQUEST
(BAR END)

BAR FEEDER ALARM

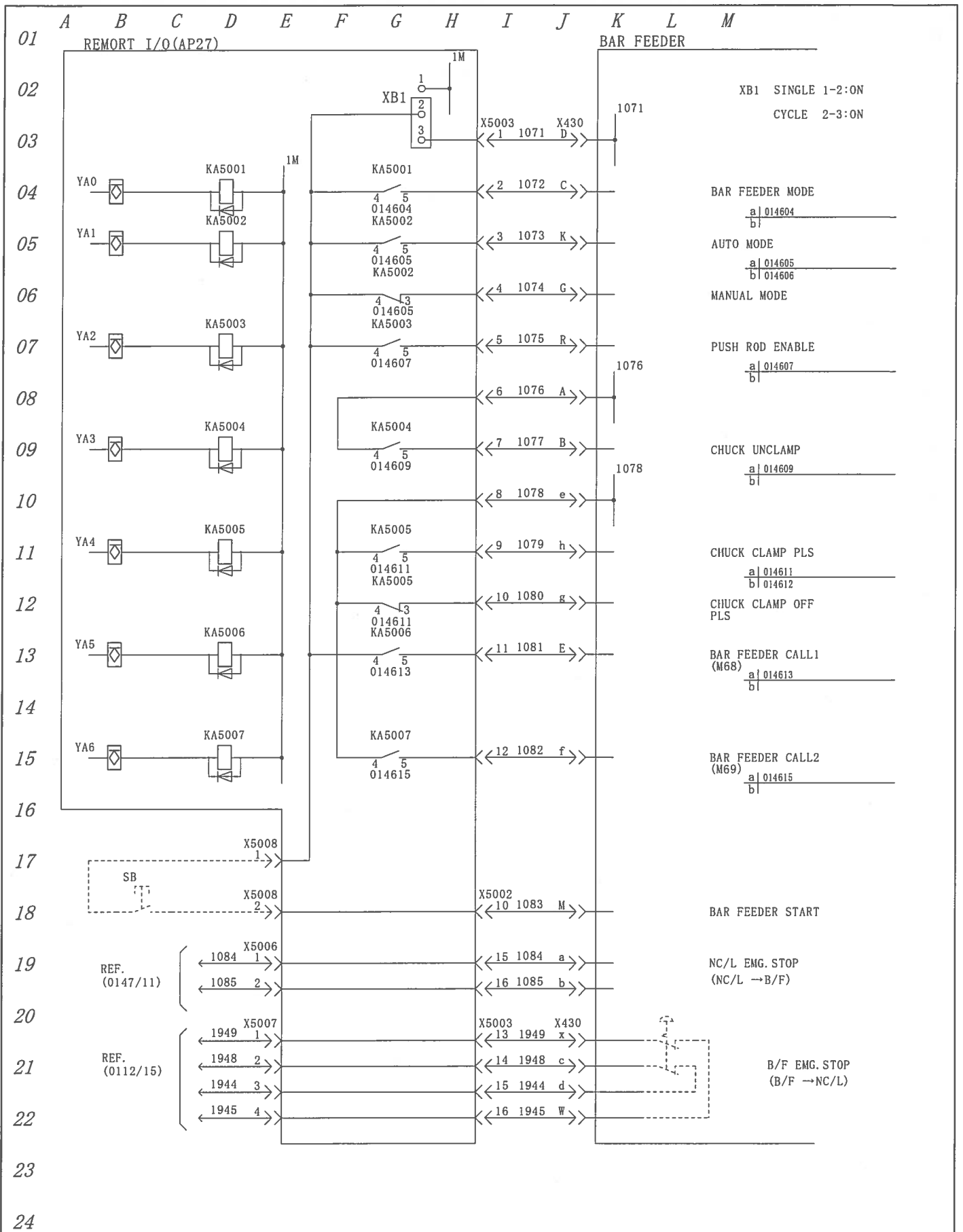
M FUNCTION FINISH


SPINDLE INCHING
(NOT USE)

UNCHUCK INTERLOCK

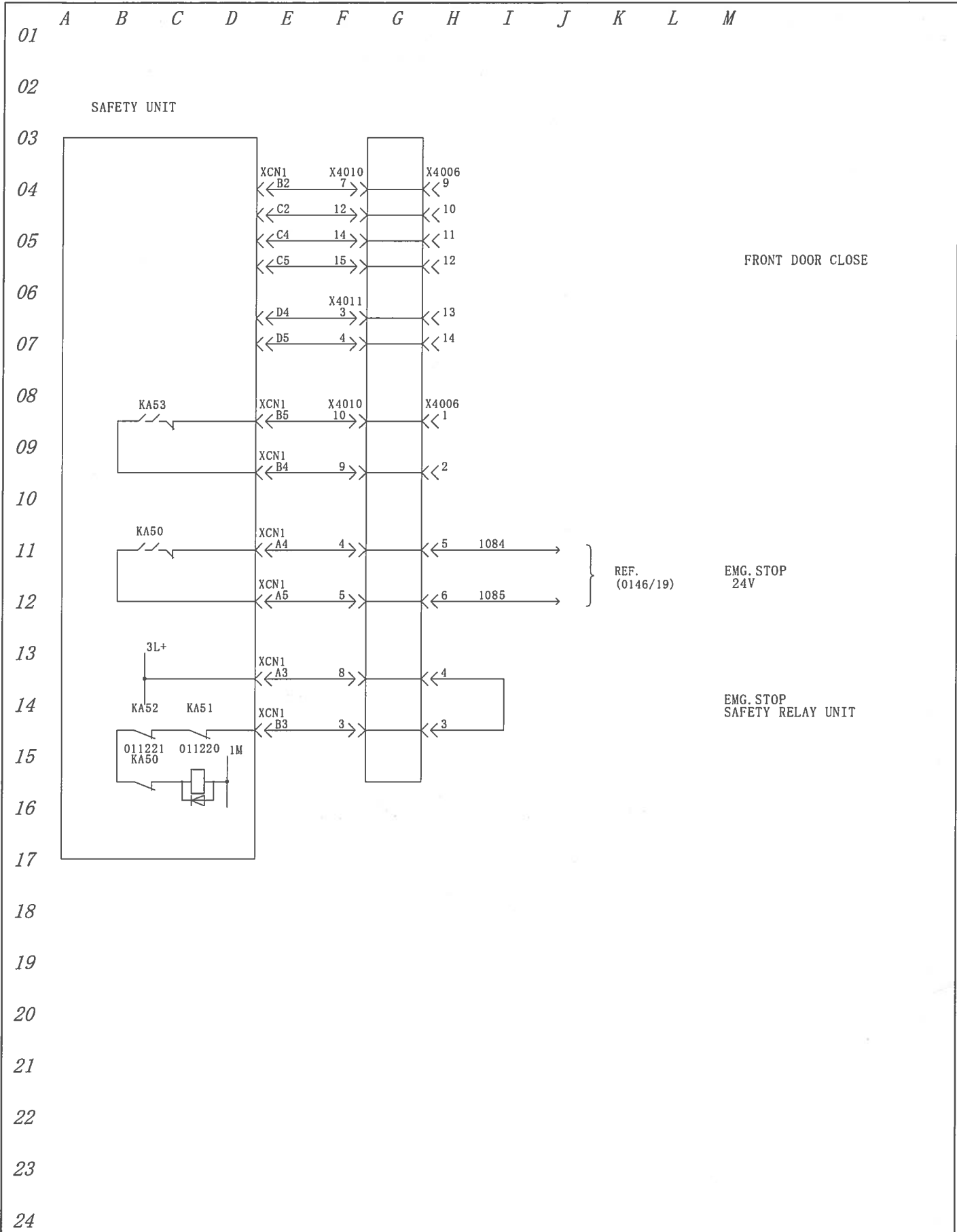
△		 YAMAZAKI MAZAK CORPORATION	APR'D BY	CHK'D BY	DRWN BY	TITLE
△			H. GOTO	H. GOTO	H. I. NAGAKI	YMIK CYCLE BAR FEEDER I/F (1)
△						DRWN NO. 372070401450
△						
△						

This product is subject to all applicable Japanese Foreign Exchange and Foreign Trade Law
 本品は『外国為替及び外国貿易法』に該当しますので外国に輸出する場合には同法に基づく許可を必要とします。



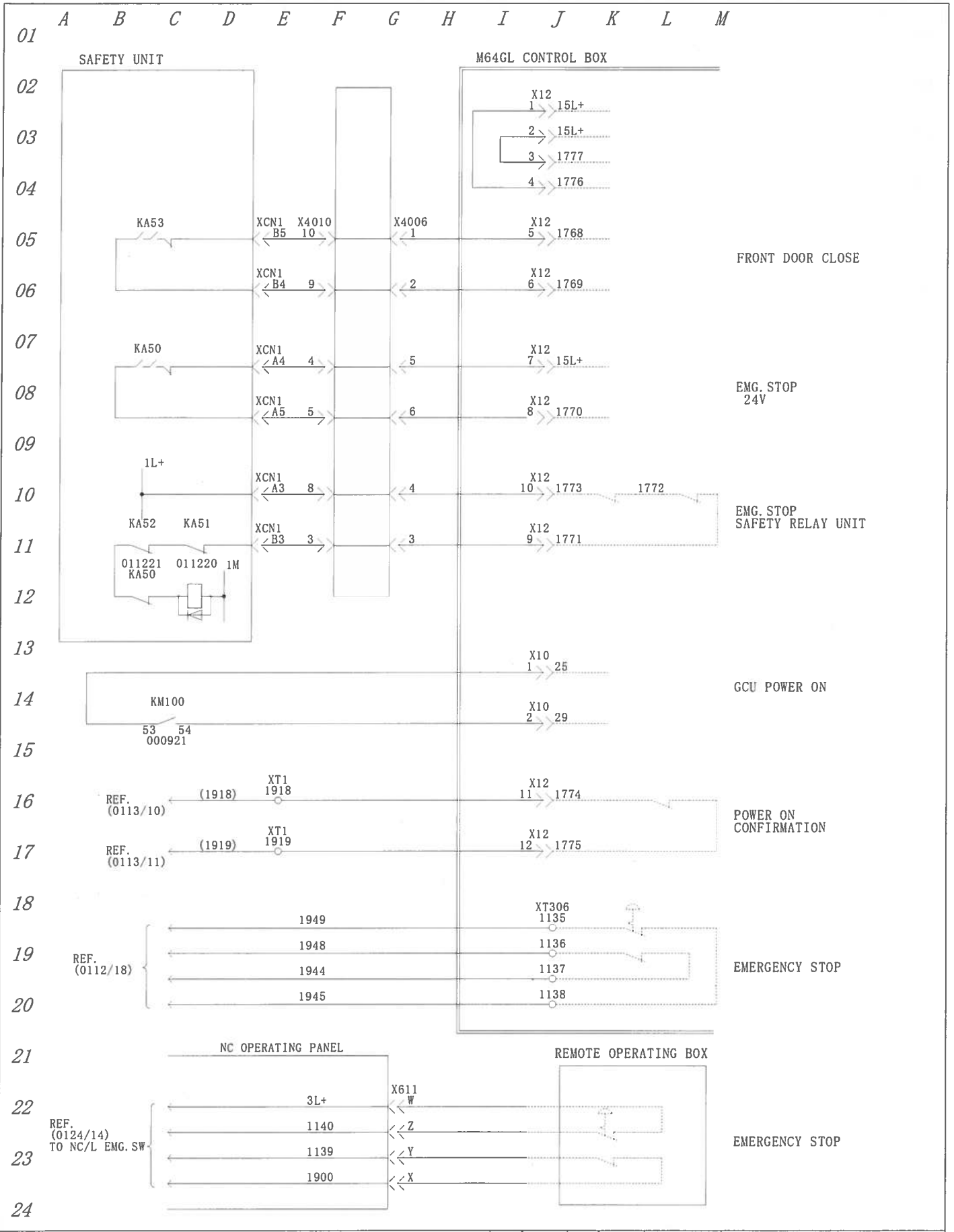
△		 YAMAZAKI MAZAK CORPORATION	APR' D BY	CHK' D BY	DRWN BY	TITLE
△			H GOTO	H GOTO	H I NAGAKI	YMJK CYCLE BAR FEEDER I/F (2)
△						DRWN NO. 372070401460
△						
△						

This product is subject to all applicable Japanese Foreign Exchange and Foreign Trade Law
 本品は『外国為替及び外国貿易法』に該当しますので外国に輸出する場合には同法に基づく許可を必要とします。



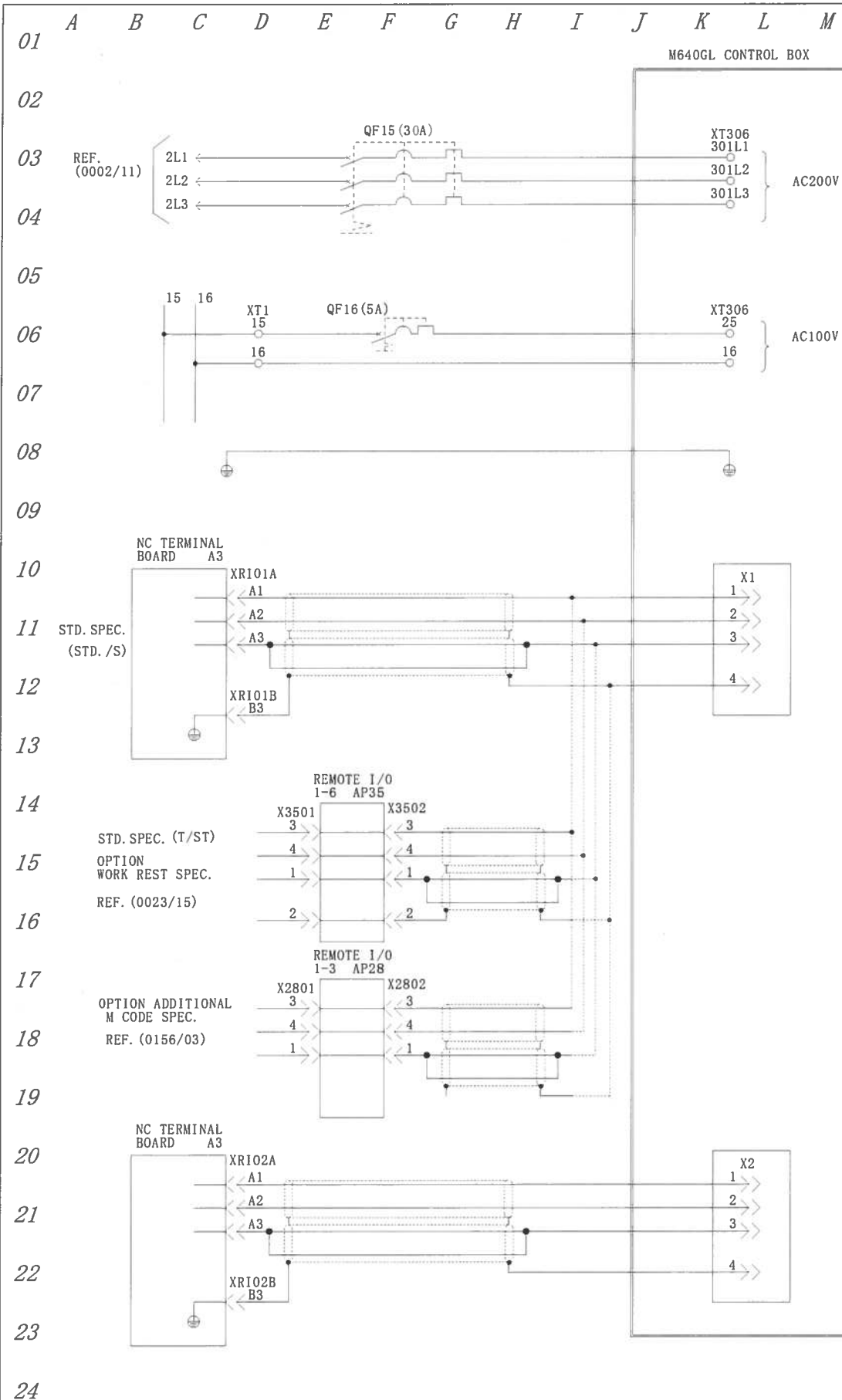
△		 YAMAZAKI MAZAK CORPORATION	APR'D BY	CHK'D BY	DRWN BY	TITLE
△					03/07/08	EMG. STOP POWER LINE CUT
△			H. GOTO	H. GOTO	H. INAGAKI	DRWN NO. 372070401470
△						
△						

This product is subject to all applicable Japanese Foreign Exchange and Foreign Trade Law
 本品は『外国為替及び外国貿易法』に該当しますので外国に輸出する場合には同法に基づく許可を必要とします。



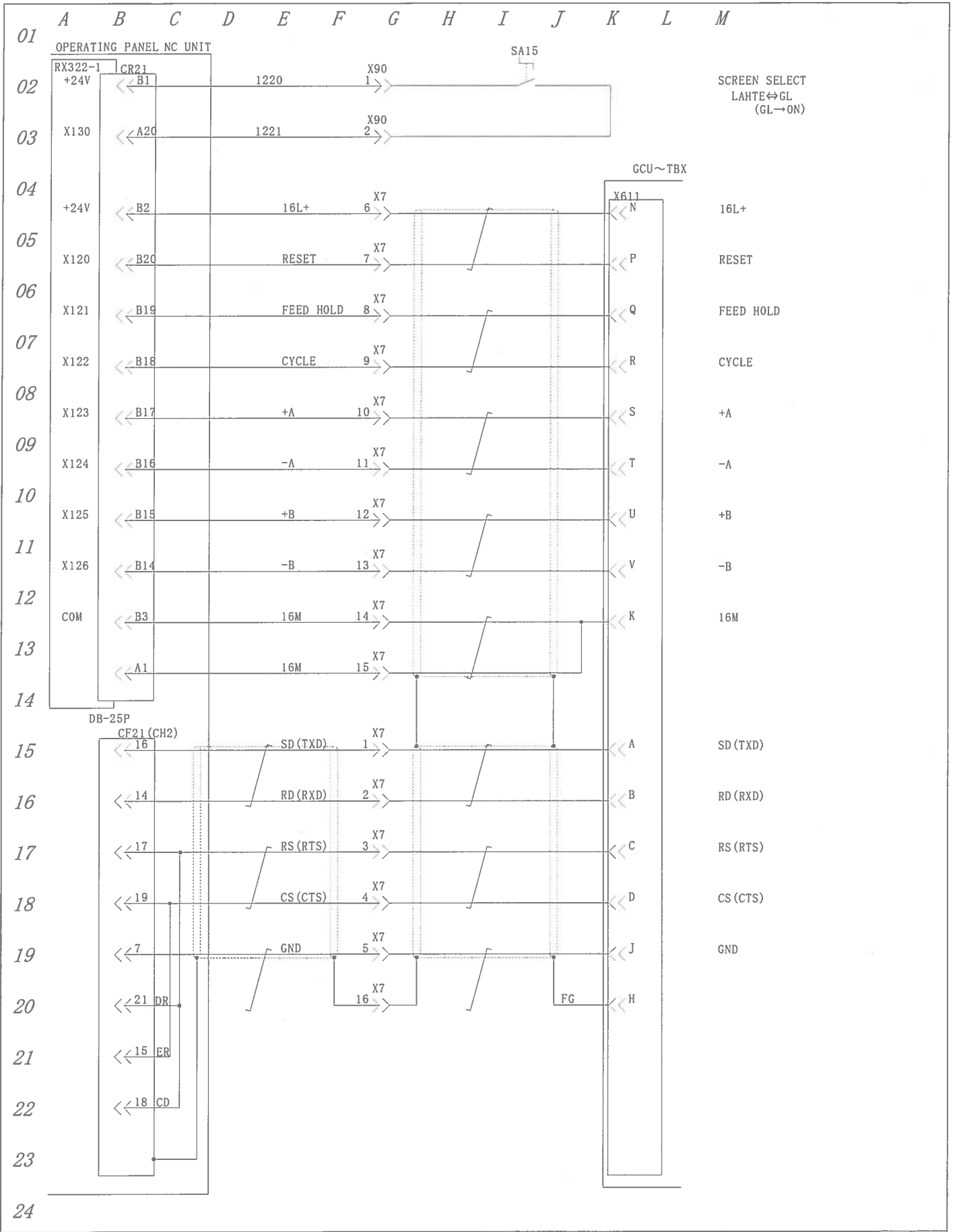
△		 YAMAZAKI MAZAK CORPORATION	APR'D BY	CHK'D BY	DRWN BY	TITLE
△			H. GOTO	H. GOTO	H. I. NAGAKI	M64GL EMG STOP POWER LINE CUT
△						DRWN NO. 372070401500
△						

This product is subject to all applicable Japanese Foreign Exchange and Foreign Trade Law
 本品は『外国為替及び外国貿易法』に該当しますので外国に輸出する場合には同法に基づく許可を必要とします。



△		 YAMAZAKI MAZAK CORPORATION	APR'D BY	CHK'D BY	DRWN BY	TITLE
△						M640GL I/F (CONTROL PANEL)
△			H. GOTO	H. GOTO	H. I. NAGAKI	04/12/02
△						DRWN NO. 372070401510
△						

This product is subject to all applicable Japanese Foreign Exchange and Foreign Trade Law
 本品は『外国為替及び外国貿易法』に該当しますので外国に輸出する場合には同法に基づく許可を必要とします。

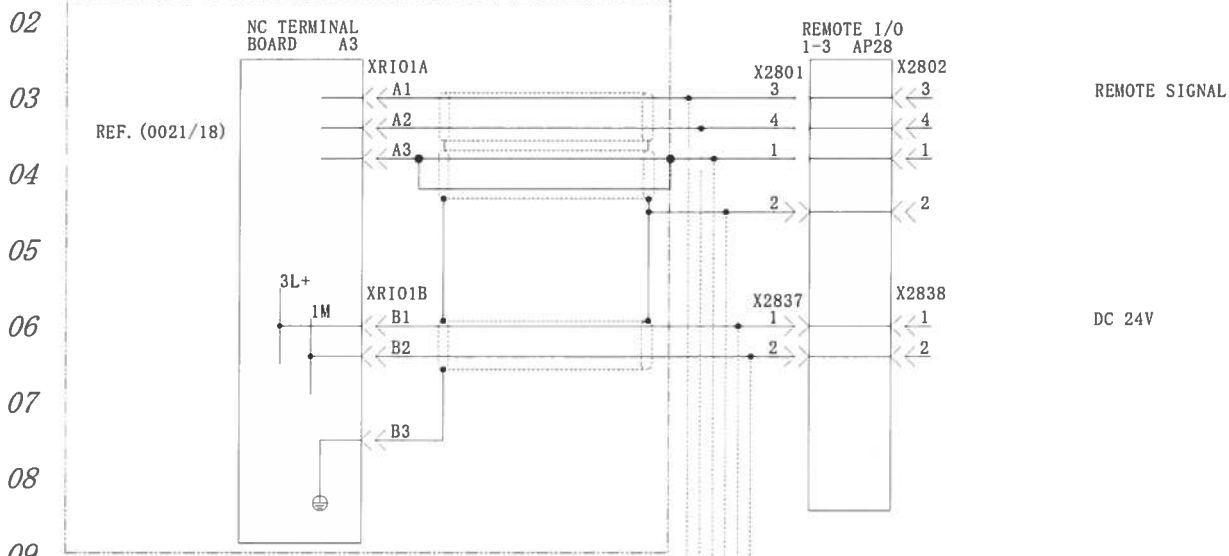


△			APR'D BY	CHK'D BY	DRWN BY	TITLE
△					04/12/02	M640GL I/F (OPERATING PANEL)
△			H. GOTO	H. GOTO	H. I. NAGAKI	DRWN NO. 372070401520
△			 YAMAZAKI MAZAK CORPORATION			

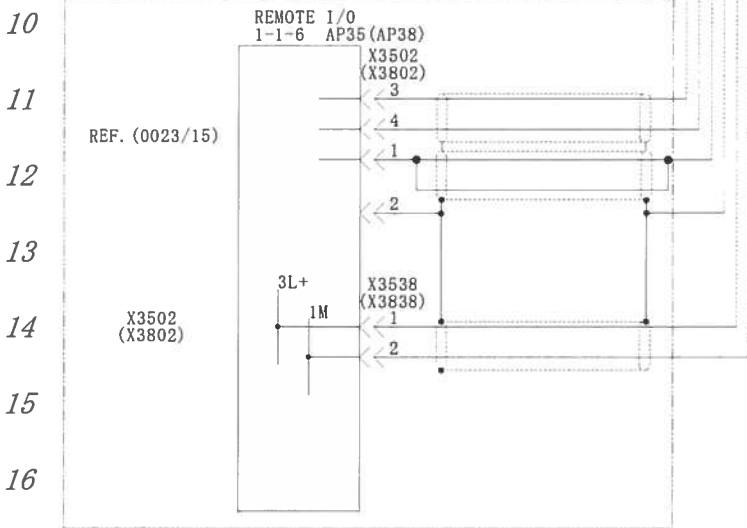
This product is subject to all applicable Japanese Foreign Exchange and Foreign Trade Law
 本品は『外国為替及び外国貿易法』に該当しますので外国に輸出する場合には同法に基づく許可を必要とします。

01 A B C D E F G H I J K L M

(STD./S SPEC.)



(T/ST OR WORK REST SPEC)

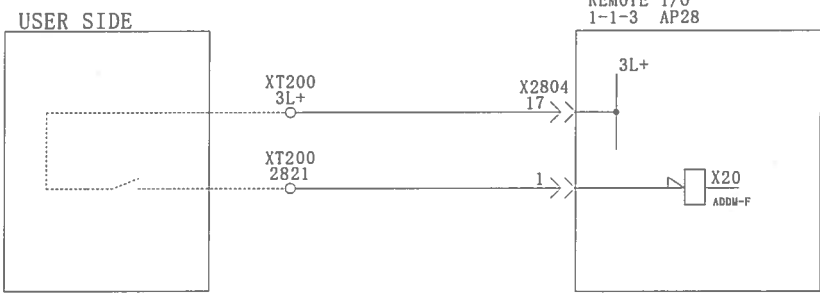


△		 YAMAZAKI MAZAK CORPORATION	APR'D BY	CHK'D BY	DRWN BY	TITLE OPTION
△					04/12/02	REMOTE I/O IN
△					H. I. NAGAKI	ADDITIONAL M CODE
△				H. GOTO	H. GOTO	DRWN NO.
△						372070401560

This product is subject to all applicable Japanese Foreign Exchange and Foreign Trade Law
 本品は『外国為替及び外国貿易法』に該当しますので外国に輸出する場合には同法に基づく許可を必要とします。

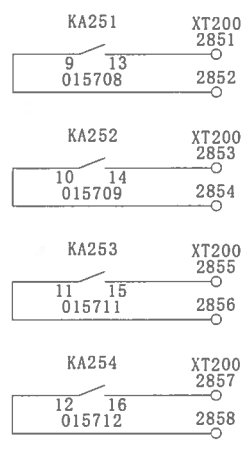
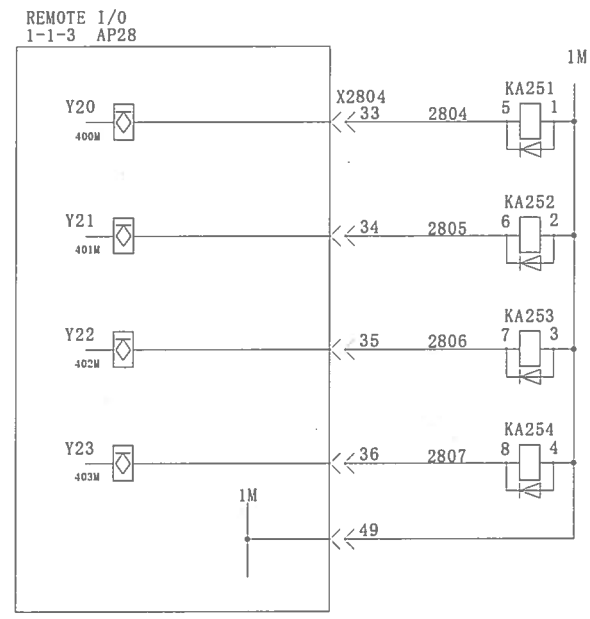
01 A B C D E F G H I J K L M

02
03
04
05
06



ADDITIONAL M CODE
FINISH

07
08
09
10
11
12
13
14



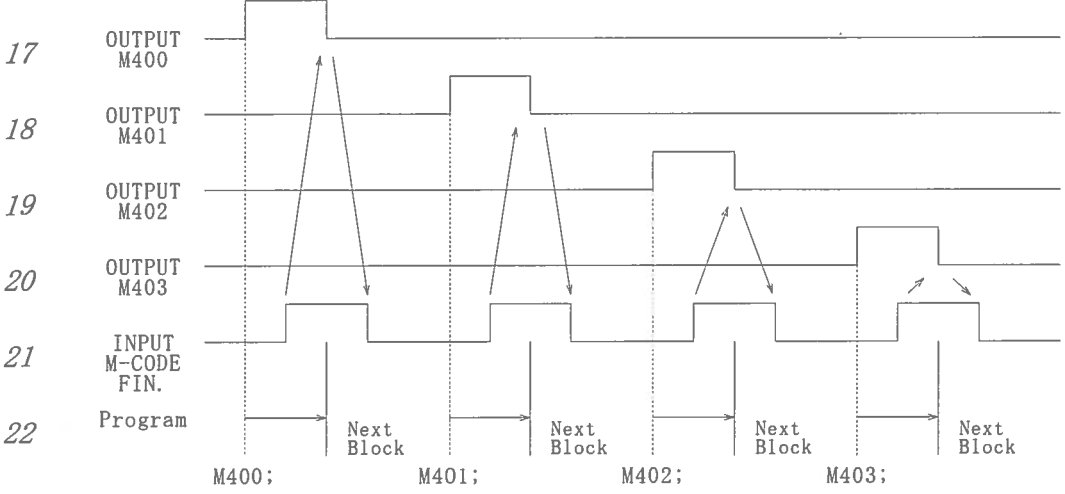
ADDITIONAL M CODE
OUTPUT (M400)
a| 015708
b|

ADDITIONAL M CODE
OUTPUT (M401)
a| 015709
b|

ADDITIONAL M CODE
OUTPUT (M402)
a| 015711
b|

ADDITIONAL M CODE
OUTPUT (M403)
a| 015712
b|

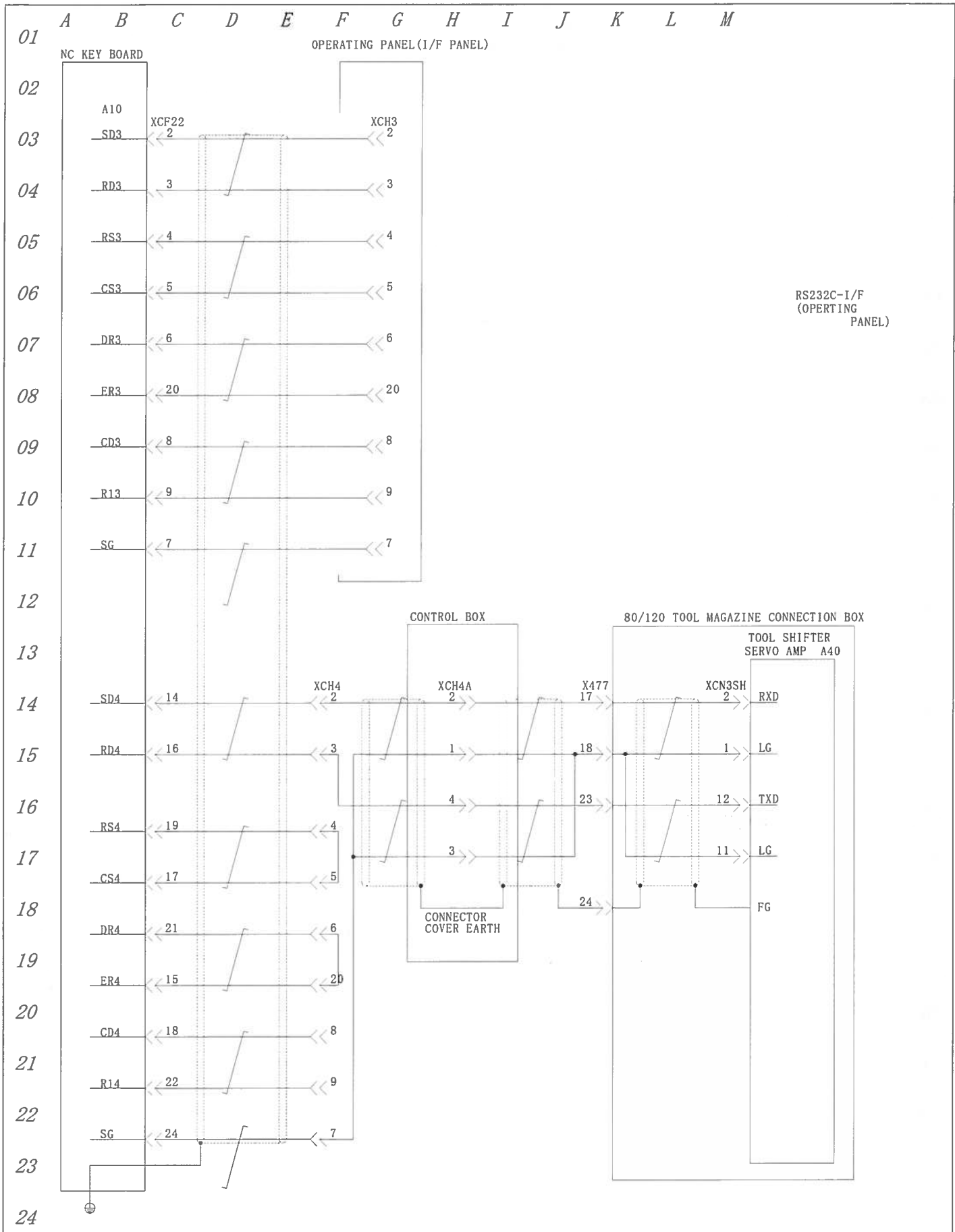
16 [TIMING CHART]



24

△		 YAMAZAKI MAZAK CORPORATION	APR'D BY	CHK'D BY	DRWN BY	TITLE	OPTION
△			H. GOTO	H. GOTO	H. I. NAGAKI	ADDITIONAL M CODE	
△						DRWN NO.	372070401570
△							

This product is subject to all applicable Japanese Foreign Exchange and Foreign Trade Law
 本品は『外国為替及び外国貿易法』に該当しますので外国に輸出する場合には同法に基づく許可を必要とします。



RS232C-I/F
(OPERATING
PANEL)

△			APR'D BY	CHK'D BY	DRWN BY	TITLE
△					04/12/02	RS232C I/F
△					H. I. NAGAKI	DRWN NO. 372070401590
△						
△						

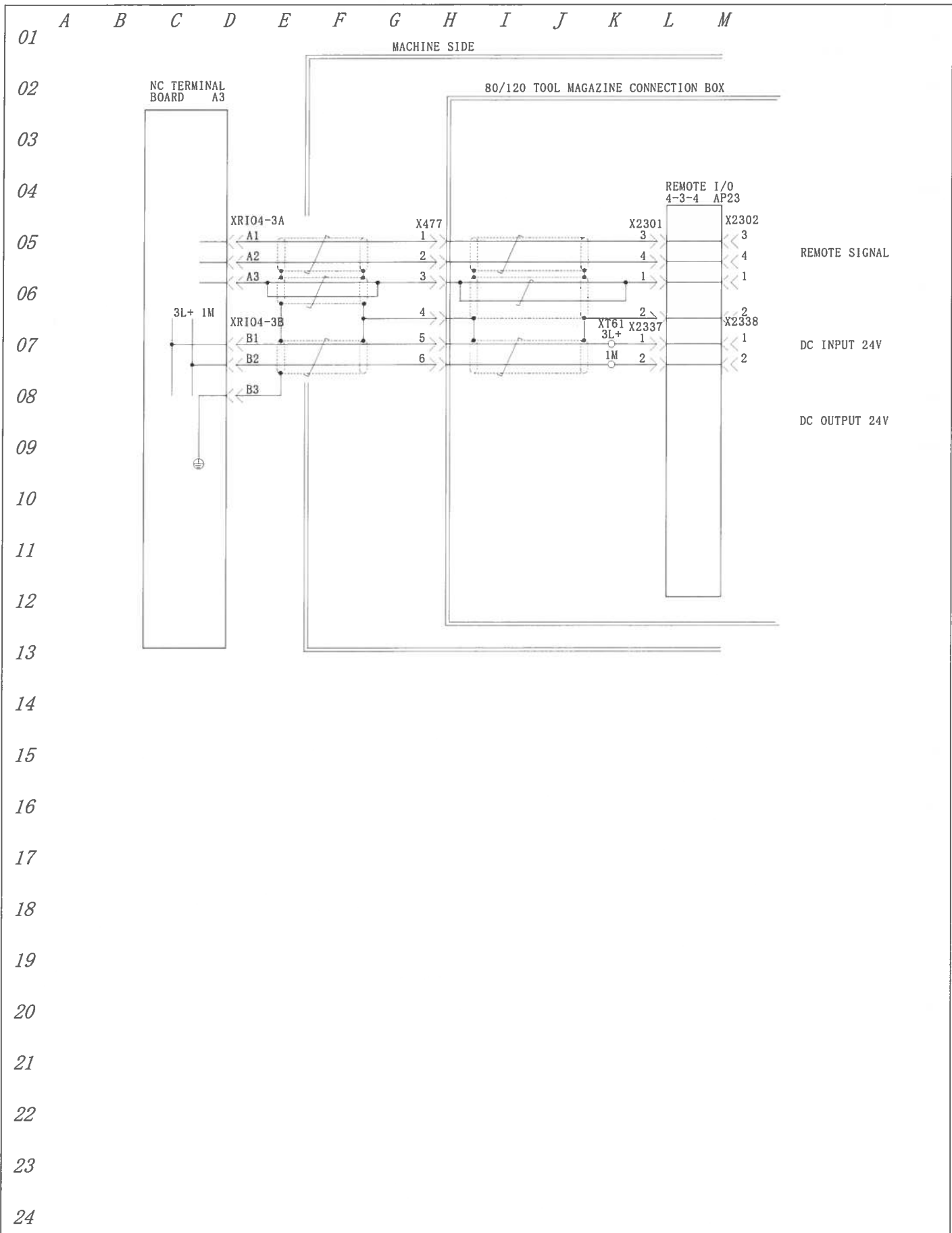
Mazak
YAMAZAKI MAZAK CORPORATION

H. GOTO

H. GOTO

H. I. NAGAKI

This product is subject to all applicable Japanese Foreign Exchange and Foreign Trade Law
本品は『外国為替及び外国貿易法』に該当しますので外国に輸出する場合には同法に基づく許可を必要とします。



△			APR' D BY	CHK' D BY	DRWN BY	TITLE
△		 YAMAZAKI MAZAK CORPORATION	H. GOTO	H. GOTO	04/12/02	REMOTE I/O CONNECTI ON (80/120 TOOLS)
△					H. INAGAKI	DRWN NO. 372070401600
△						

This product is subject to all applicable Japanese Foreign Exchange and Foreign Trade Law
 本品は『外国為替及び外国貿易法』に該当しますので外国に輸出する場合には同法に基づく許可を必要とします。

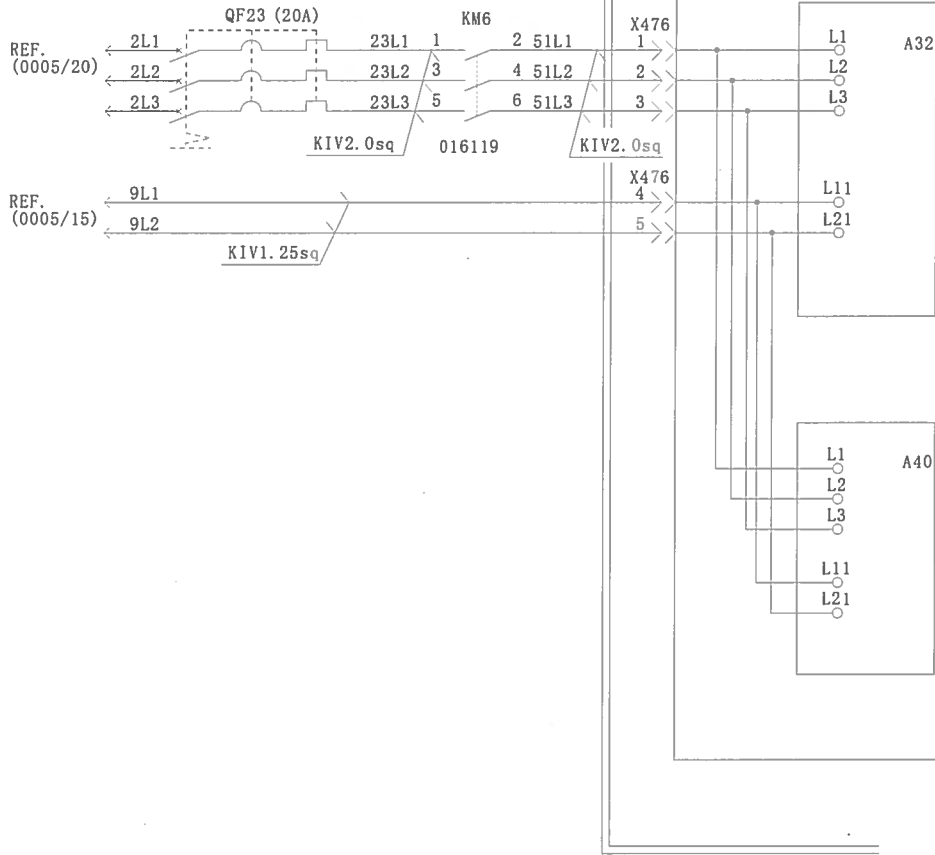
01 A B C D E F G H I J K L M

02
03
04
05
06
07
08
09
10
11
12
13
14
15
16
17
18
19
20
21
22
23
24

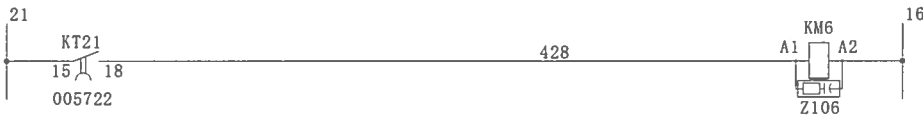
MACHINE SIDE

80/120 TOOL MAGAZINE CONNECTION BOX

ATC DRIVE
MAGAZINE DRIVE



SHIFTER DRIVE

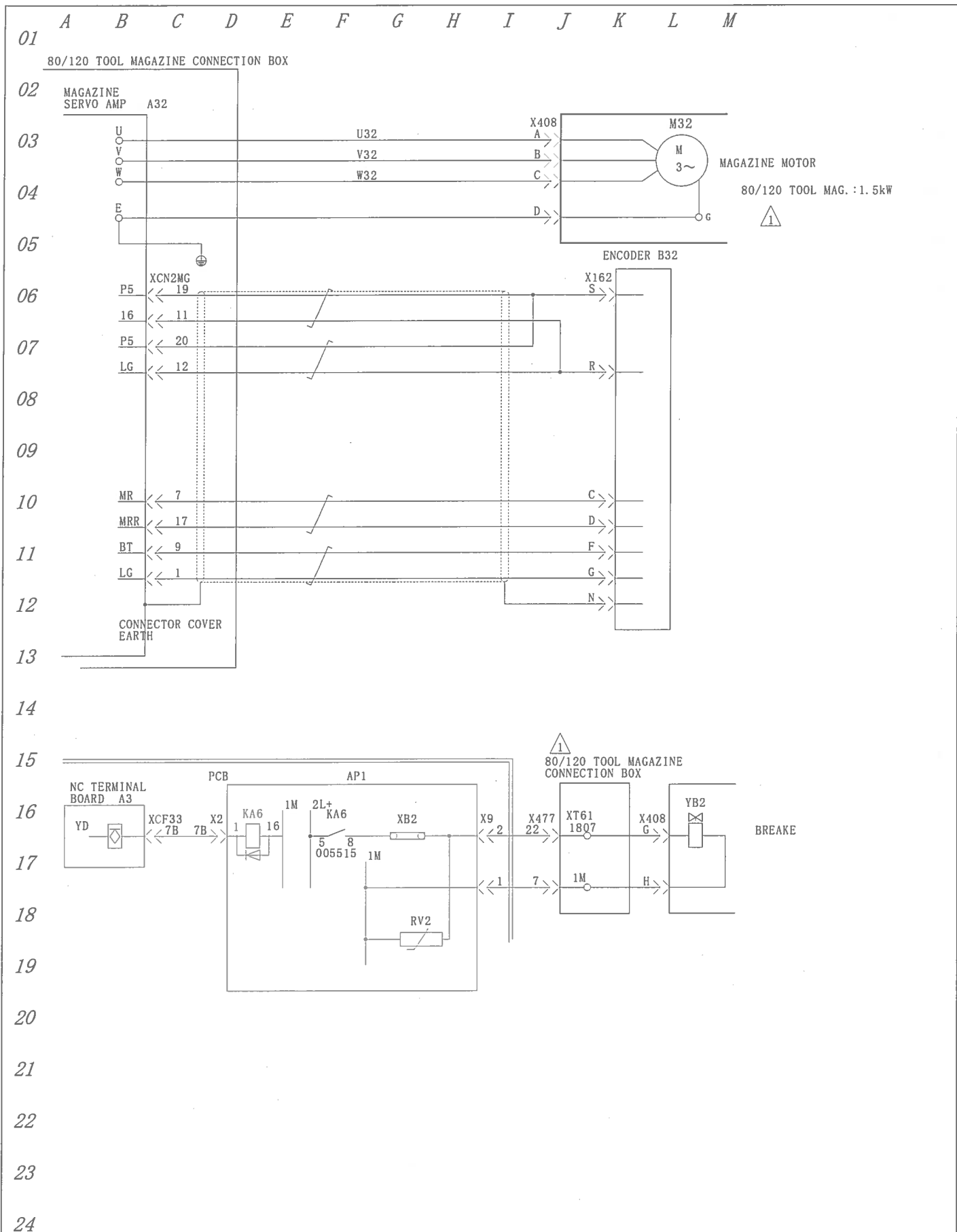


MAGAZINE MOTOR
POWER CUT

a | 016103
b | 016419

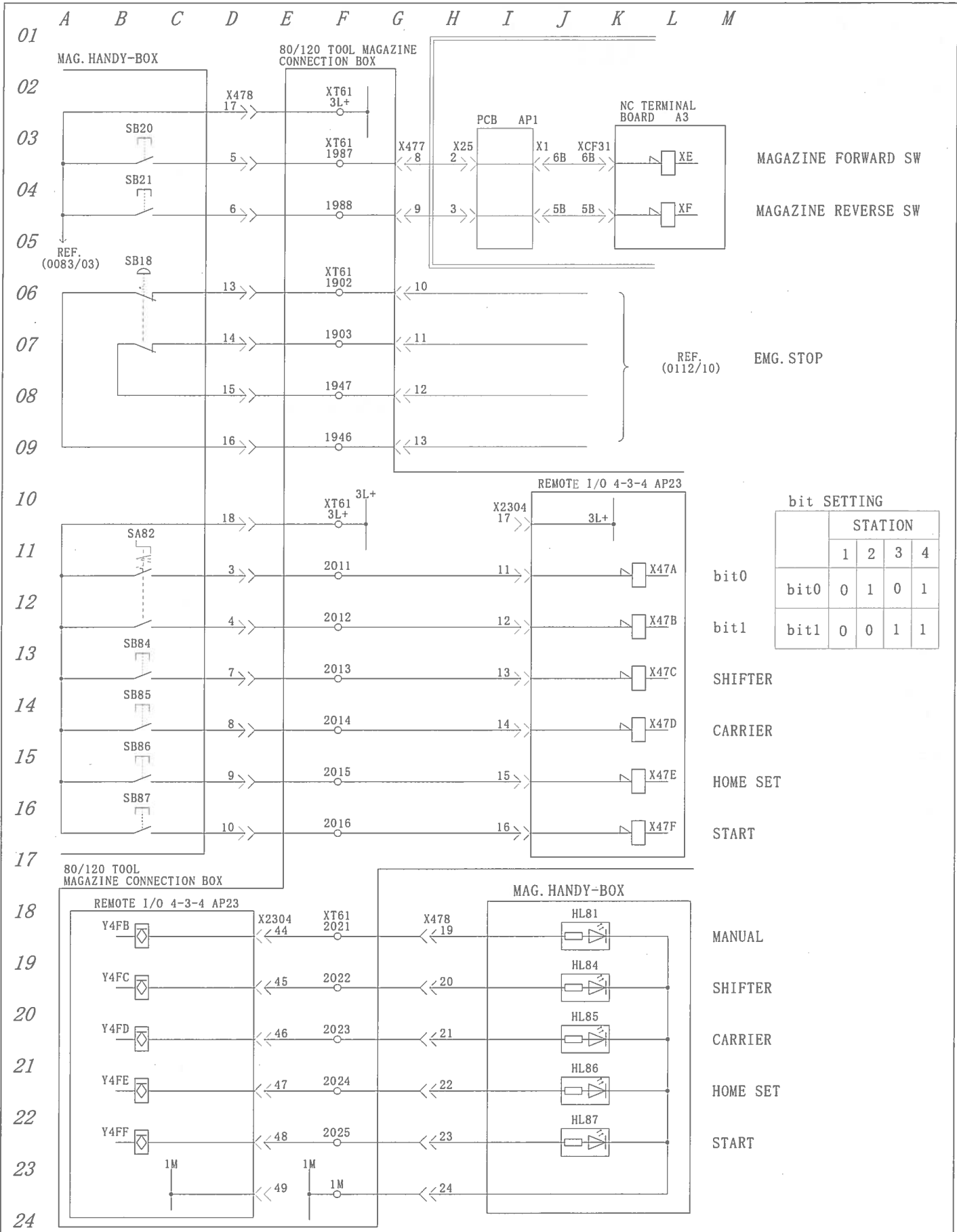
△		 YAMAZAKI MAZAK CORPORATION	APR'D BY	CHK'D BY	DRWN BY	TITLE
△			H GOTO	H GOTO	H I NAGAKI	AUX MOTOR DRIVE (80/120 TOOLS)
△					04/12/02	
△						DRWN NO. 372070401610
△						

This product is subject to all applicable Japanese Foreign Exchange and Foreign Trade Law
 本品は『外国為替及び外国貿易法』に該当しますので外国に輸出する場合には同法に基づく許可を必要とします。



△			APR'D BY	CHK'D BY	DRWN BY	TITLE
△					04/12/02	MAGAZINE MOTOR
△						(80/120 TOOLS)
△			H GOTO	H GOTO	H I NAGAKI	DRWN NO. 372070401620
△			 YAMAZAKI MAZAK CORPORATION			

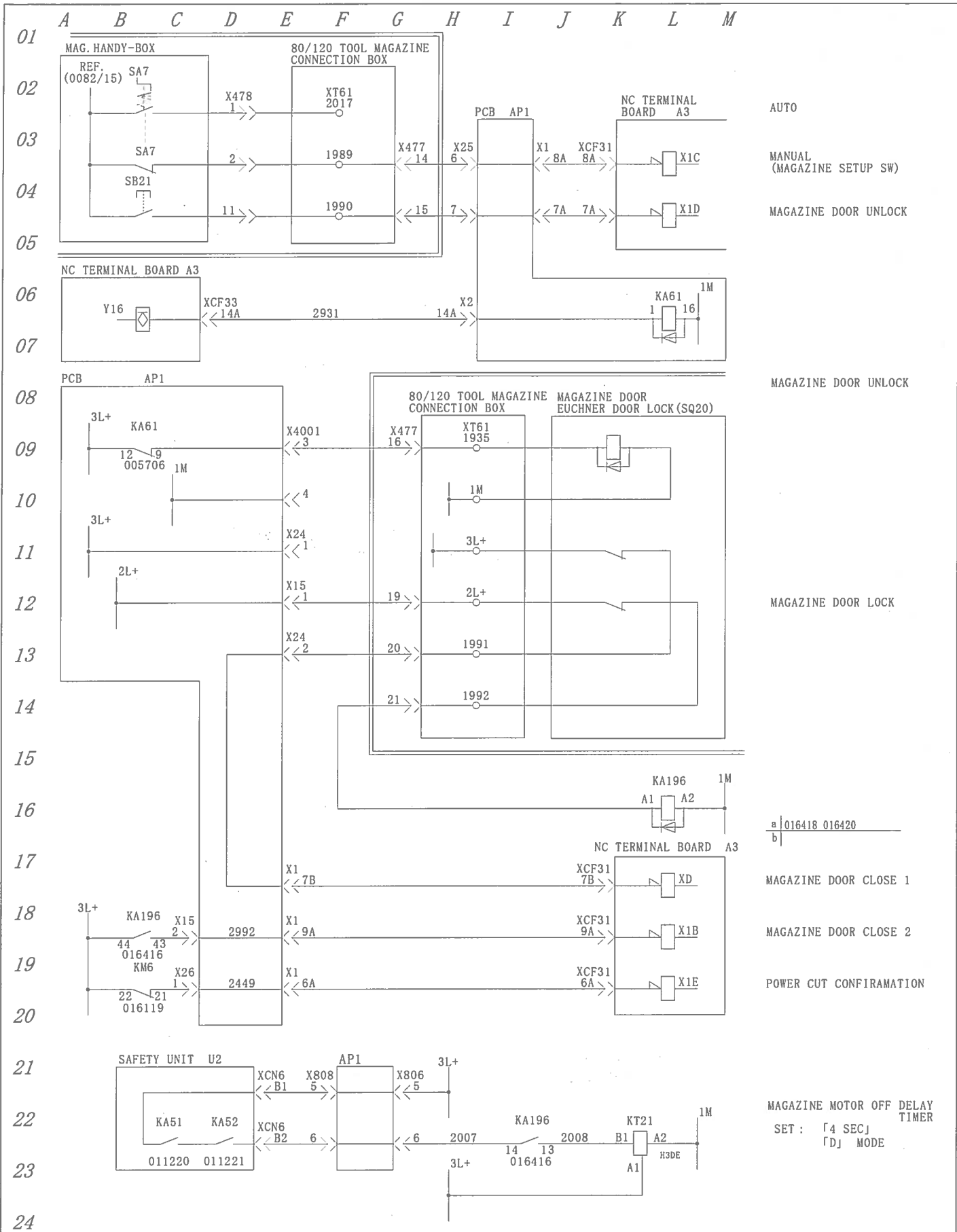
This product is subject to all applicable Japanese Foreign Exchange and Foreign Trade Law
 本品は『外国為替及び外国貿易法』に該当しますので外国に輸出する場合には同法に基づく許可を必要とします。



APR'D BY	CHK'D BY	DRWN BY	TITLE
H GOTO	H GOTO	H I NAGAKI	MAGAZINE OPERATING PANEL (80/120 TOOLS)
			DRWN NO. 372070401630

This product is subject to all applicable Japanese Foreign Exchange and Foreign Trade Law
 本品は『外国為替及び外国貿易法』に該当しますので外国に輸出する場合には同法に基づく許可を必要とします。





△			APR'D BY	CHK'D BY	DRWN BY	TITLE
△					04/12/02	MAGAZINE DOOR CIRCUIT (80/120 TOOLS)
△			H. GOTO	H. GOTO	H. I. NAGAKI	DRWN NO. 372070401640
△			 YAMAZAKI MAZAK CORPORATION			

This product is subject to all applicable Japanese Foreign Exchange and Foreign Trade Law
 本品は『外国為替及び外国貿易法』に該当しますので外国に輸出する場合には同法に基づく許可を必要とします。

01 A B C D E F G H I J K L M

02

03

04

05

06

07

08

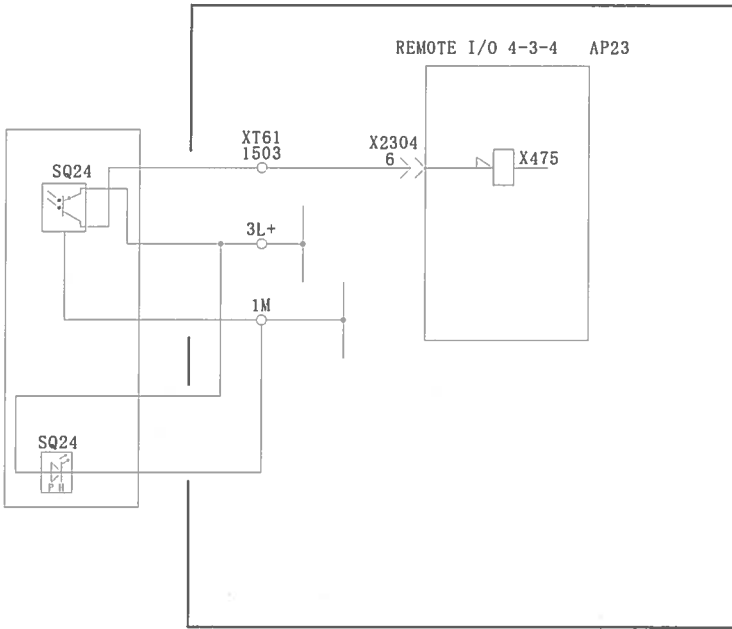
09

80/120 TOOL MAGAZINE CONNECTION BOX

10

REMOTE I/O 4-3-4 AP23

11



TOOL ON MAGAZINE POCKET

12

13

14

15

16

17

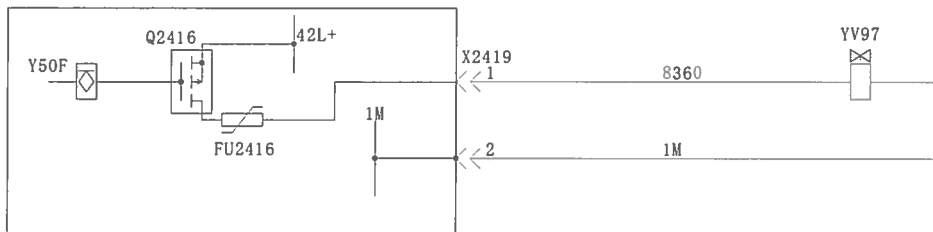
18

19

20

REMOTE I/O 4-4-5 AP24

21



TOOL CARRIER AIR BLOW

22

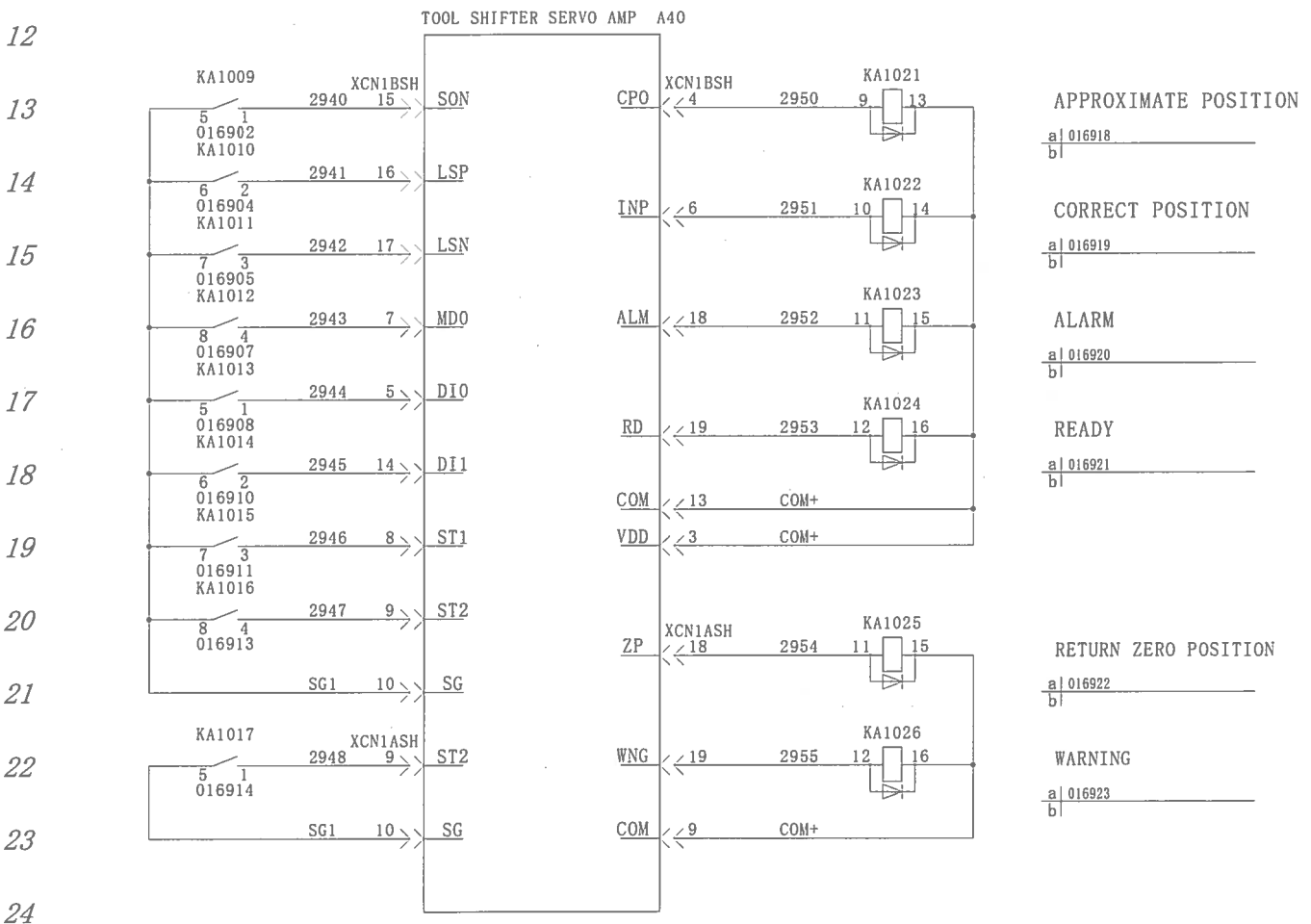
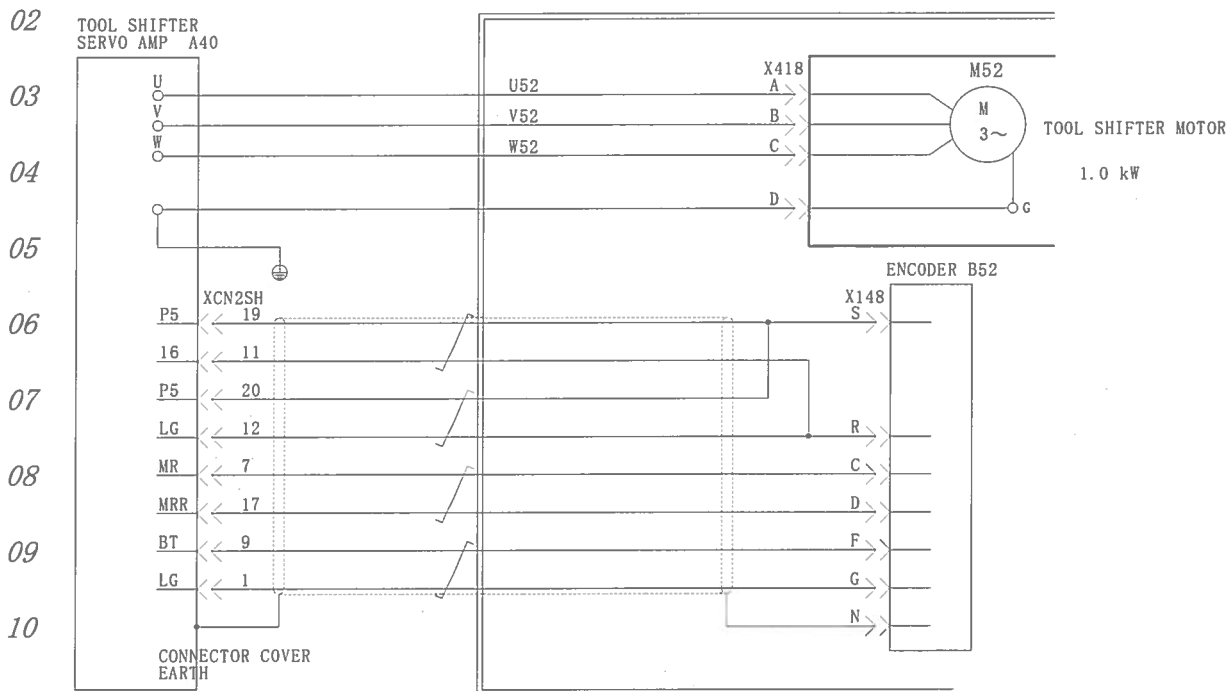
23

24

△		 YAMAZAKI MAZAK CORPORATION	APR'D BY	CHK'D BY	DRWN BY	TITLE
△			H GOTO	H GOTO	H I NAGAKI	CARRIER AIR BLOW & SENSOR (80/120 TOOLS)
△						DRWN NO. 372070401650
△						
△						

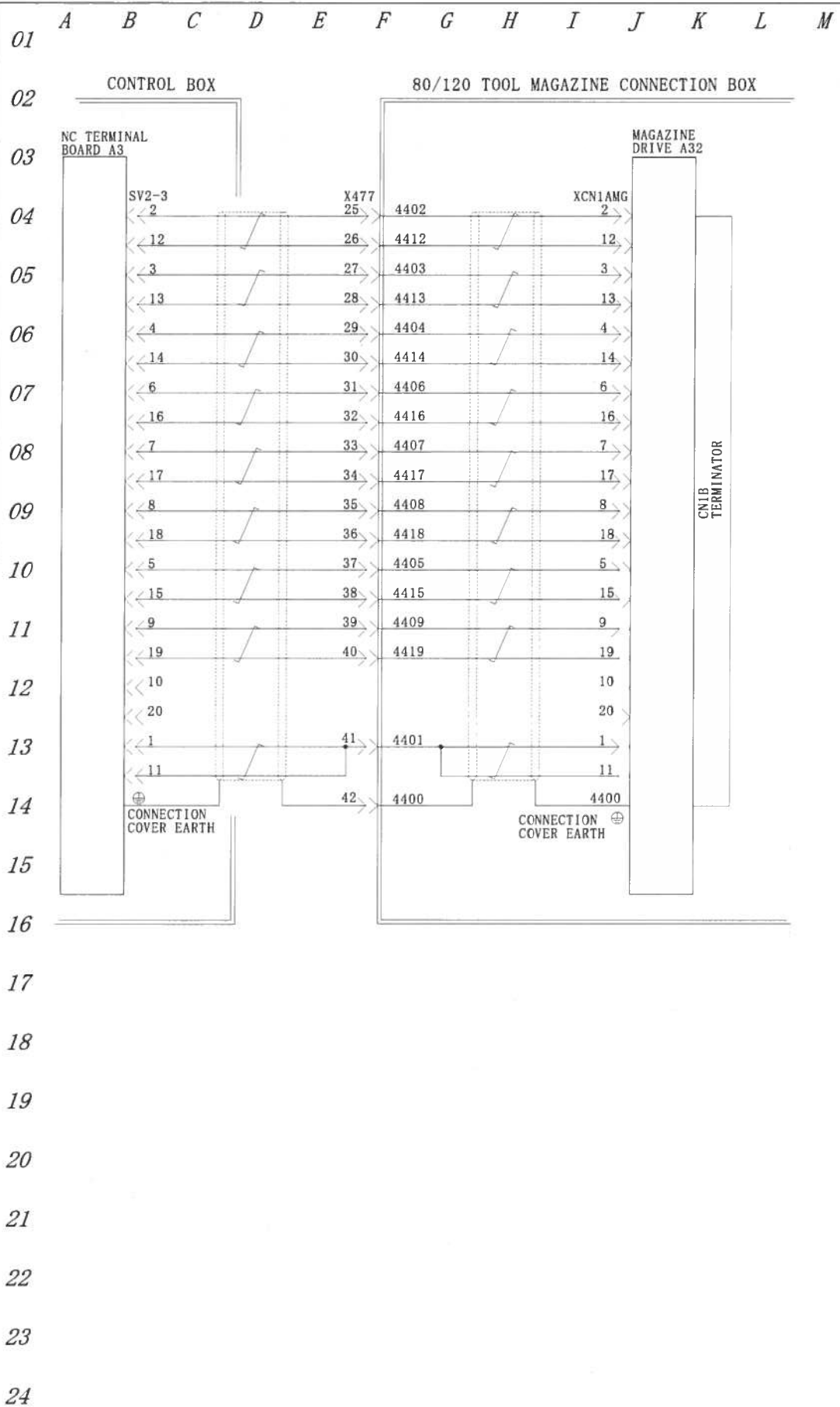
This product is subject to all applicable Japanese Foreign Exchange and Foreign Trade Law
 本品は『外国為替及び外国貿易法』に該当しますので外国に輸出する場合には同法に基づく許可を必要とします。

01 A B C D E F G H I J K L M



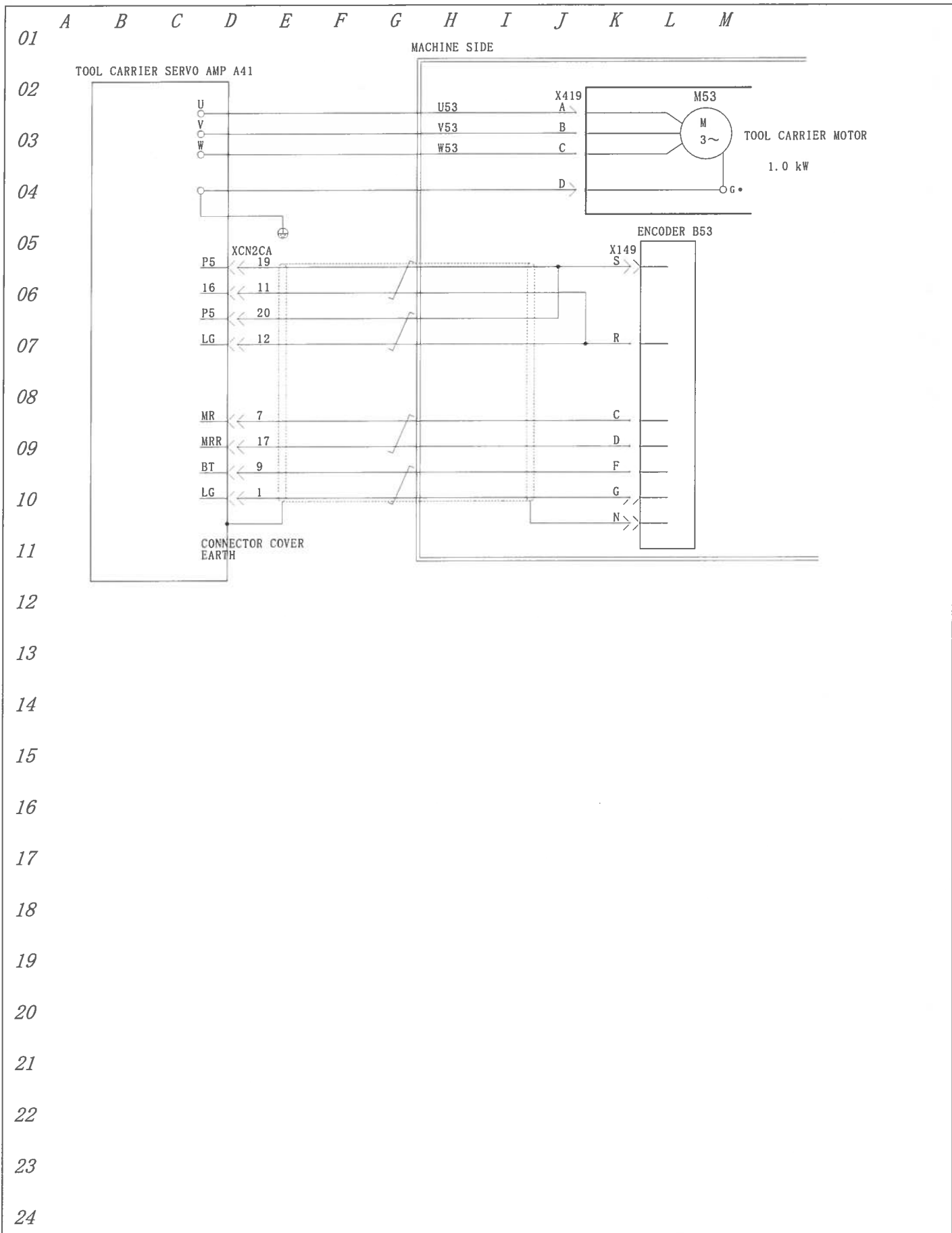
APR'D BY	CHK'D BY	DRWN BY	TITLE
H GOTO	H GOTO	H I NAGAKI	TOOL SHIFTER MOTOR (80/120 TOOLS)
Mazak YAMAZAKI MAZAK CORPORATION			DRWN NO. 372070401660
04/12/02			

This product is subject to all applicable Japanese Foreign Exchange and Foreign Trade Law
 本品は『外国為替及び外国貿易法』に該当しますので外国に輸出する場合には同法に基づく許可を必要とします。



△		 YAMAZAKI MAZAK CORPORATION	APR'D BY	CHK'D BY	DRWN BY	TITLE
△					04/12/02	BUS CABLE CONNECTION (80/120 TOOLS)
△			H. GOTO	H. GOTO	H. I. NAGAKI	DRWN NO. 372070401670
△						
△						

This product is subject to all applicable Japanese Foreign Exchange and Foreign Trade Law
 本品は『外国為替及び外国貿易法』に該当しますので外国に輸出する場合には同法に基づく許可を必要とします。



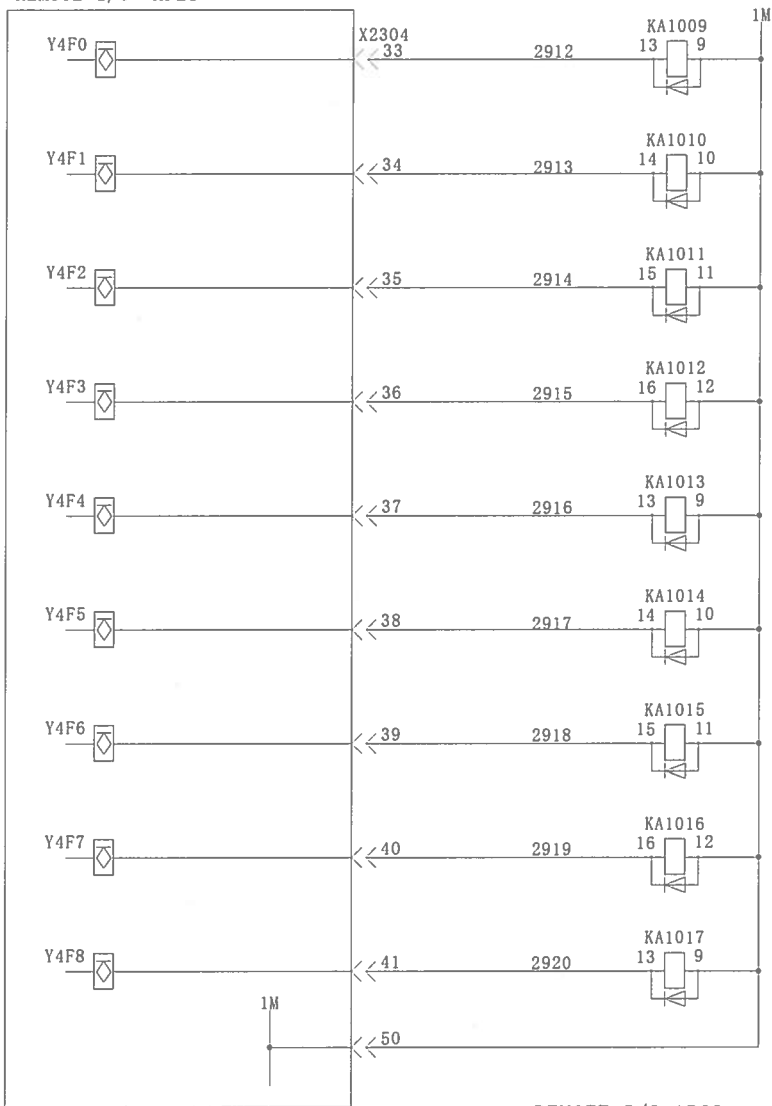
△		 YAMAZAKI MAZAK CORPORATION	APR'D BY	CHK'D BY	DRWN BY	TITLE
△					04/12/02	TOOL CARRIER MOTOR (80/120 TOOLS)
△			H GOTO	H GOTO	H I NAGAKI	DRWN NO. 372070401680
△						
△						

This product is subject to all applicable Japanese Foreign Exchange and Foreign Trade Law
 本品は『外国為替及び外国貿易法』に該当しますので外国に輸出する場合には同法に基づく許可を必要とします。

01 A B C D E F G H I J K L M

80/120 TOOL MAGAZINE CONNECTION BOX

REMOTE I/O AP23



SERVO ON

a| 016613 _____
b| _____

FWD STROKE END

a| 016614 _____
b| _____

REV STROKE END

a| 016615 _____
b| _____

MODE SELECT (AUTO/MANUAL)

a| 016616 _____
b| _____

SELECT POINT TABLE 1

a| 016617 _____
b| _____

SELECT POINT TABLE 2

a| 016618 _____
b| _____

FORWARD

a| 016619 _____
b| _____

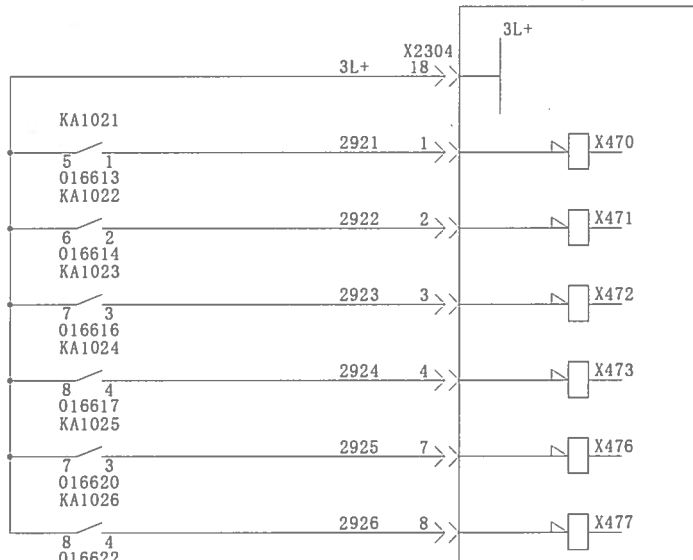
REVERSE

a| 016620 _____
b| _____

COMPLUSORY STOP

a| 016622 _____
b| _____

REMOTE I/O AP23



APPROXIMATE POSITION

FINISH MOVING

ALARM

READY

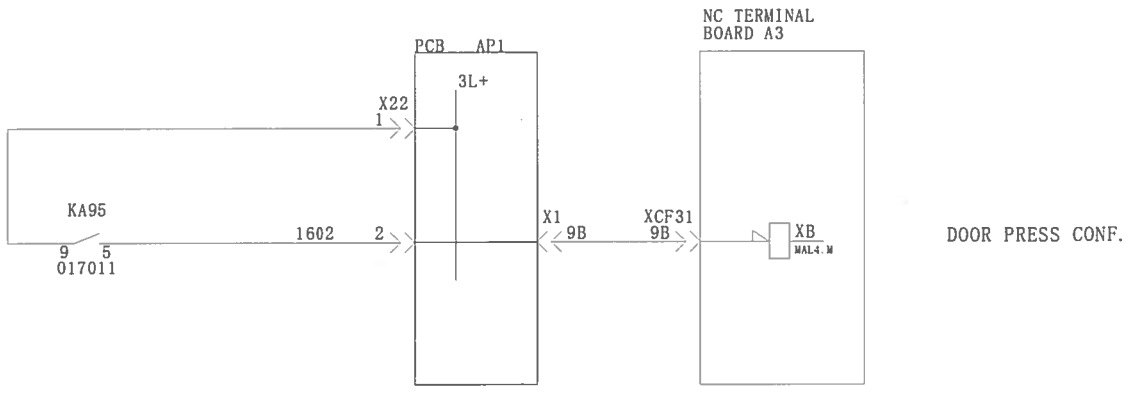
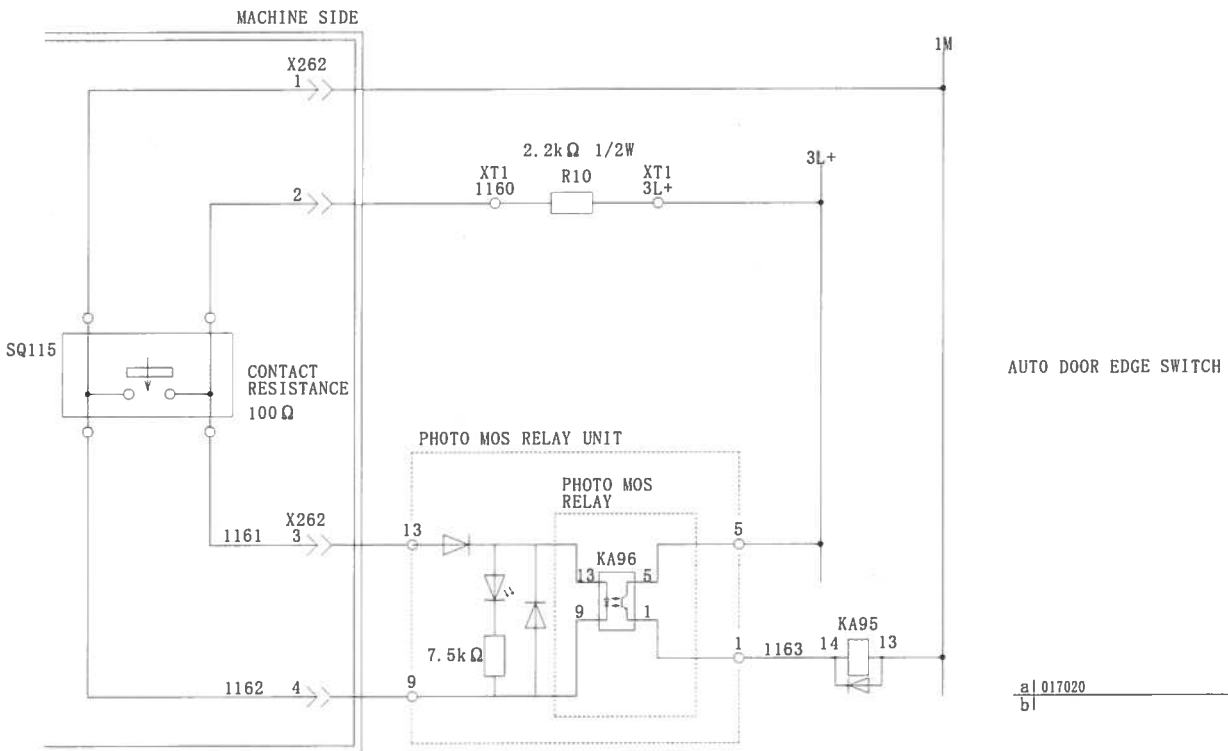
RETURN ZERO POSITION

WARNING

△		APR'D BY	CHK'D BY	DRWN BY	TITLE
△				04/12/02	TOOL SHIFTER I/F
△				H. I. NAGAKI	(80/120 TOOLS)
△		H. GOTO	H. GOTO		DRWN NO. 372070401690
△		 YAMAZAKI MAZAK CORPORATION			

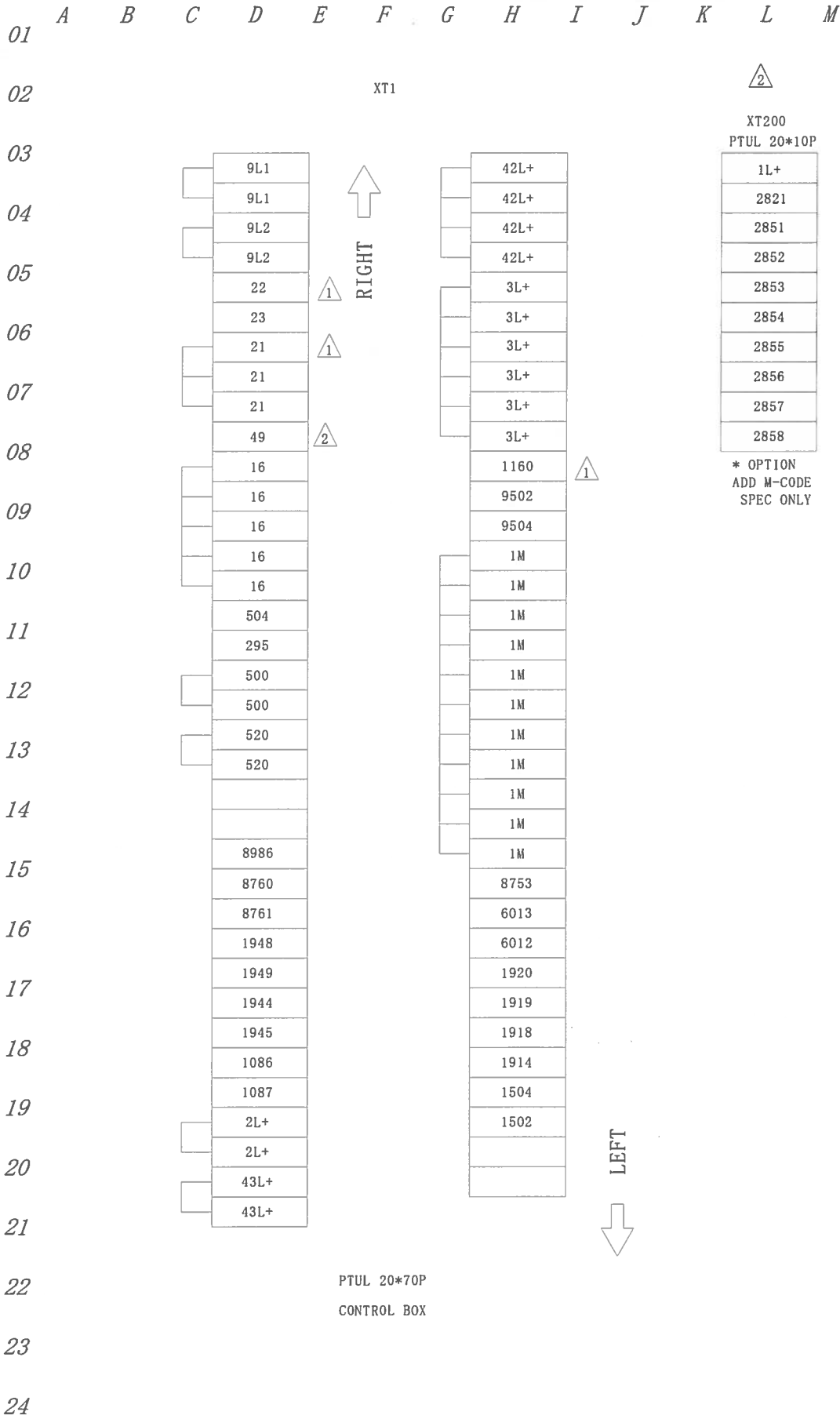
This product is subject to all applicable Japanese Foreign Exchange and Foreign Trade Law
 本品は『外国為替及び外国貿易法』に該当しますので外国に輸出する場合には同法に基づく許可を必要とします。

00
01
02
03
04
05
06
07
08
09
10
11
12
13
14
15
16
17
18
19
20
21
22
23




△		 YAMAZAKI MAZAK CORPORATION	APR'D BY	CHK'D BY	DRWN BY	TITLE
△			H. GOTO	H. GOTO	H. I. NAGAKI	DOOR PRESS CONFIRMATION
△						DRWN NO. 372070401700
△						
△						

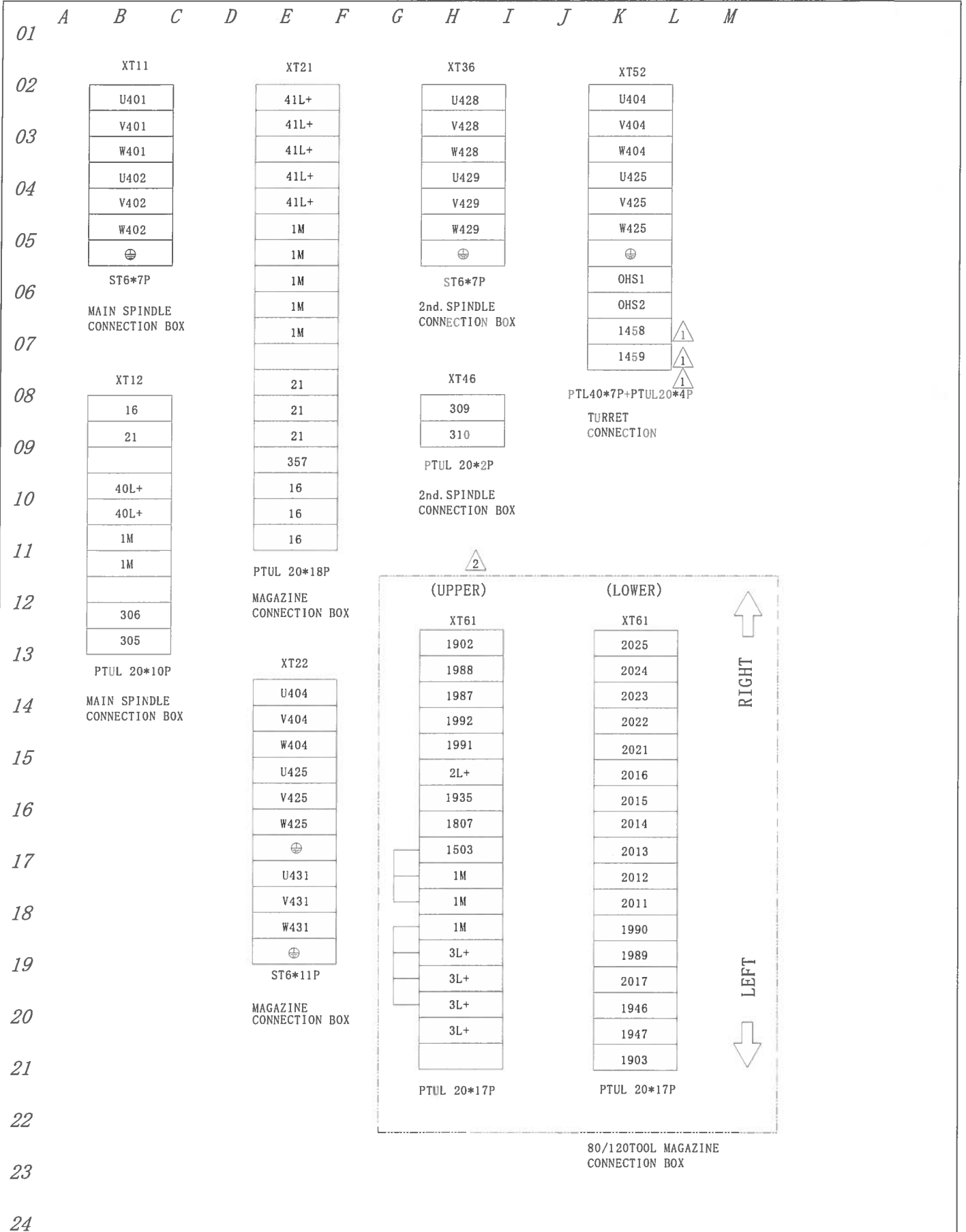
This product is subject to all applicable Japanese Foreign Exchange and Foreign Trade Law
 本品は『外国為替及び外国貿易法』に該当しますので外国に輸出する場合には同法に基づく許可を必要とします。



* OPTION
ADD M-CODE
SPEC ONLY

△		 YAMAZAKI MAZAK CORPORATION	APR'D BY	CHK'D BY	DRWN BY	TITLE
△					04/12/02	TERM NAL BLOCK LAYOUT 1
△	ADD XT200 CHANGE 49 '04.10.30.H.N.		H GOTO	H GOTO	H I NAGAKI	DRWN NO. 372070500012
△	CHANGE '04.05.14.H.N.					

This product is subject to all applicable Japanese Foreign Exchange and Foreign Trade Law
 本品は『外国為替及び外国貿易法』に該当しますので外国に輸出する場合には同法に基づく許可を必要とします。

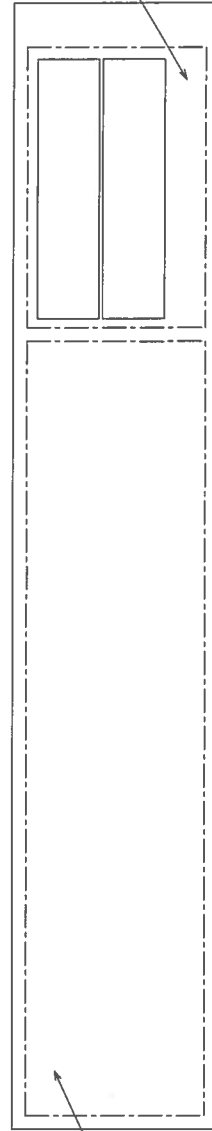
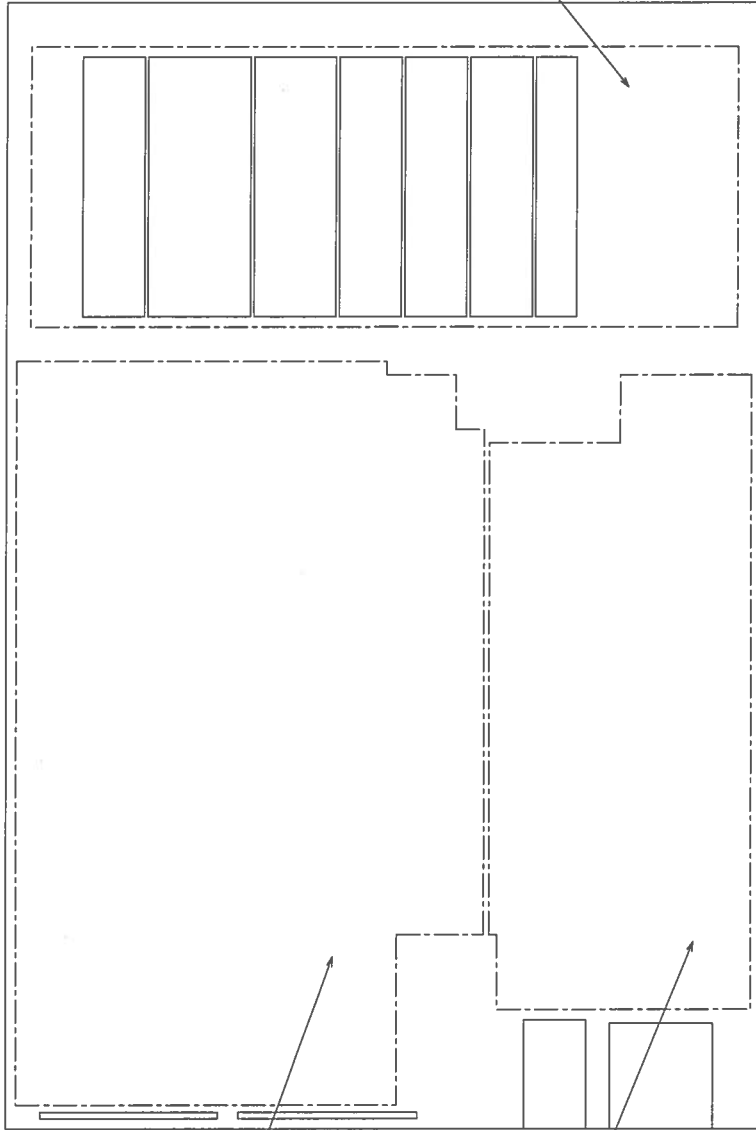


△				APR'D BY	CHK'D BY	DRWN BY	TITLE
△						04/12/02	TERMINAL BLOCK LAYOUT 2
△	ADD	'04. 11. 15. H. N.		H. GOTO	H. GOTO	H. I. NAGAKI	DRWN NO. 372070500022
△	ADD	'04. 05. 14. H. N.					

This product is subject to all applicable Japanese Foreign Exchange and Foreign Trade Law
 本品は『外国為替及び外国貿易法』に該当しますので外国に輸出する場合には同法に基づく許可を必要とします。

AMP PANEL
A0u

AMP PANEL
B5u



CONTROL PANEL
A1u

POWER PANEL
A2u

POWER PANLE 2
B6u

【1st. CONTROL BOX VIEW】

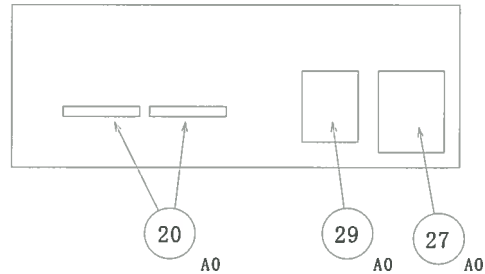
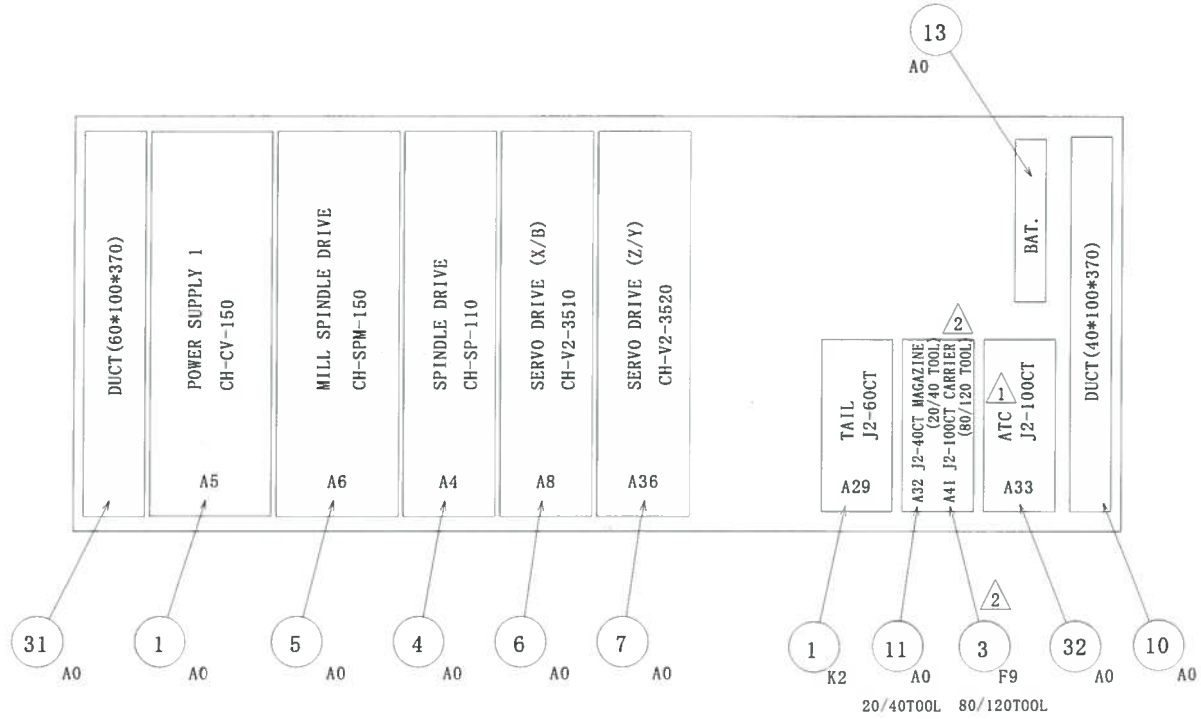
【2nd. CONTROL BOX VIEW】

△		 YAMAZAKI MAZAK CORPORATION	APR'D BY	CHK'D BY	DRWN BY	TITLE
△					03/07/08	CONTROL BOX LAYOUT
△			H GOTO	H GOTO	H I NAGAKI	DRWN NO. 372070500050
△						
△						

This product is subject to all applicable Japanese Foreign Exchange and Foreign Trade Law
 本品は『外国為替及び外国貿易法』に該当しますので外国に輸出する場合には同法に基づく許可を必要とします。

【STD SPEC.】

【A0u】



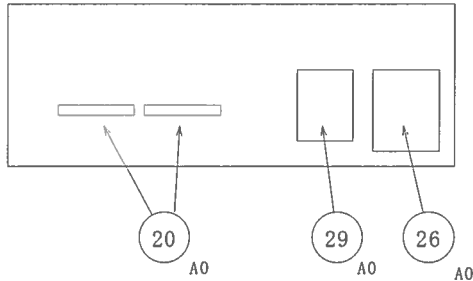
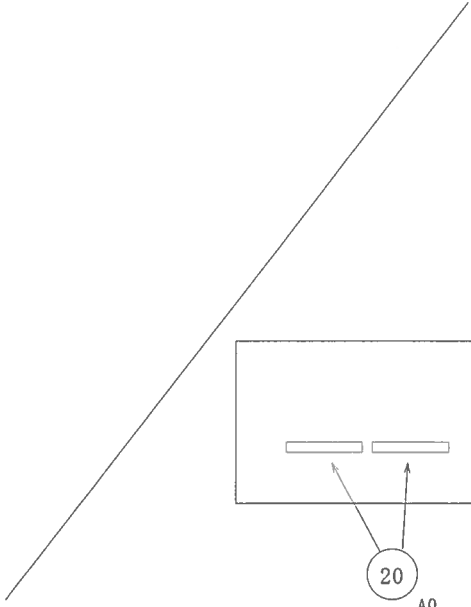
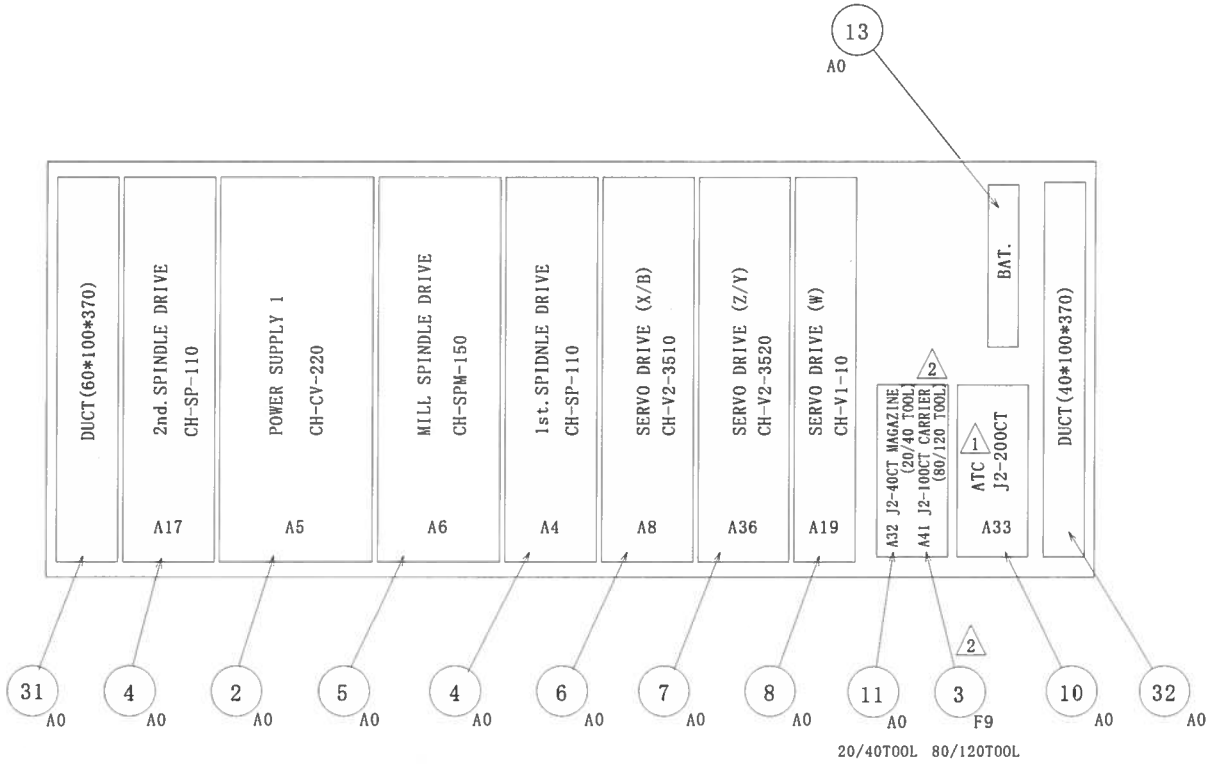
【BOTTOM VIEW】

△		 YAMAZAKI MAZAK CORPORATION	APR'D BY	CHK'D BY	DRWN BY	TITLE	
△			H GOTO	H GOTO	H I NAGAKI	04/12/02	PARTS ARRANGEMENT ON AMP PANEL
△	ADD 80/120 TOOL		'04.11.15.H.N.				DRWN NO.
△	CHANGE 100CT→200CT		'04.10.30.H.N.				372070500062

This product is subject to all applicable Japanese Foreign Exchange and Foreign Trade Law
 本品は『外国為替及び外国貿易法』に該当しますので外国に輸出する場合には同法に基づく許可を必要とします。

【S SPEC.】

【A0u】



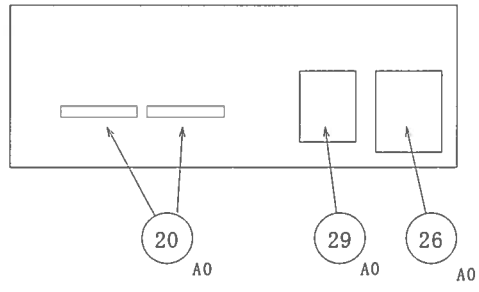
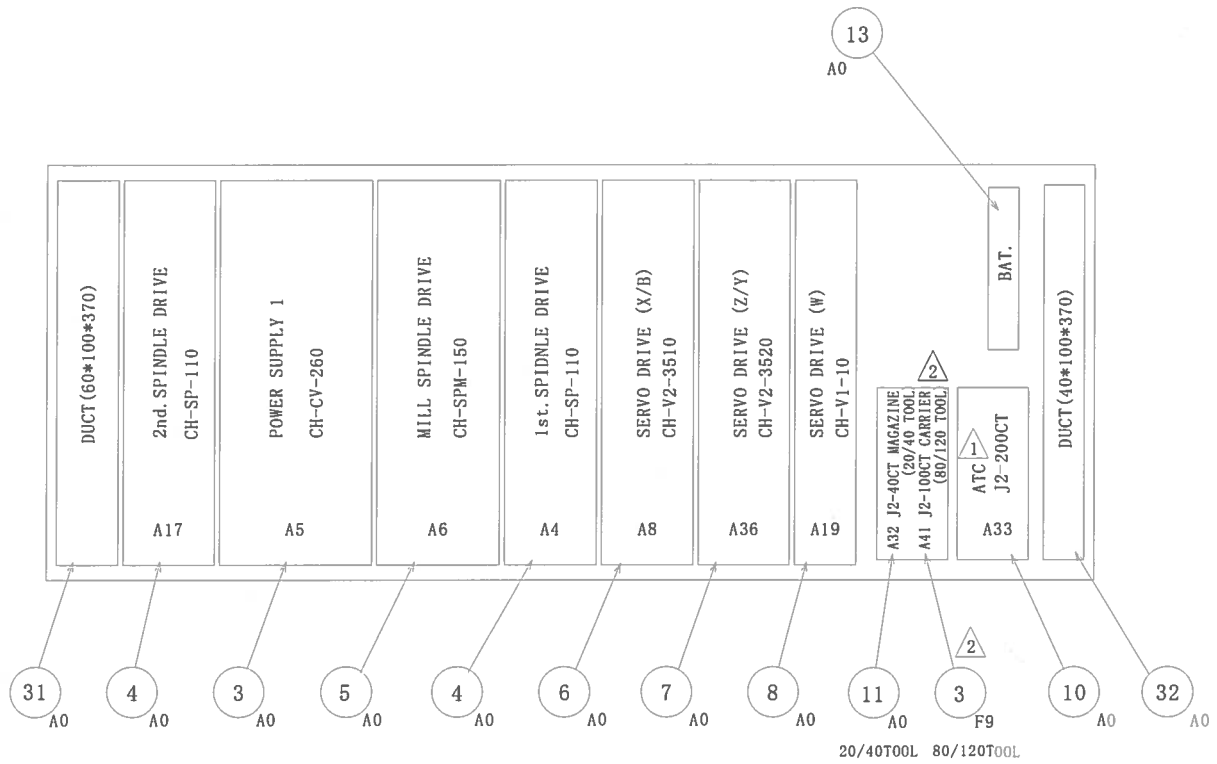
【BOTTOM VIEW】

△		 YAMAZAKI MAZAK CORPORATION	APR'D BY	CHK'D BY	DRWN BY	TITLE
△					04/12/02	PARTS ARRANGEMENT ON AMP PANEL
△			H GOTO	H GOTO	H I NAGAKI	
△	ADD 80/120 TOOL '04.11.15. H.N.					
△	CHANGE 100CT→200CT '04.10.30. H.N.					


This product is subject to all applicable Japanese Foreign Exchange and Foreign Trade Law
 本品は『外国為替及び外国貿易法』に該当しますので外国に輸出する場合には同法に基づく許可を必要とします。

【ST SPEC.】

【A0u】

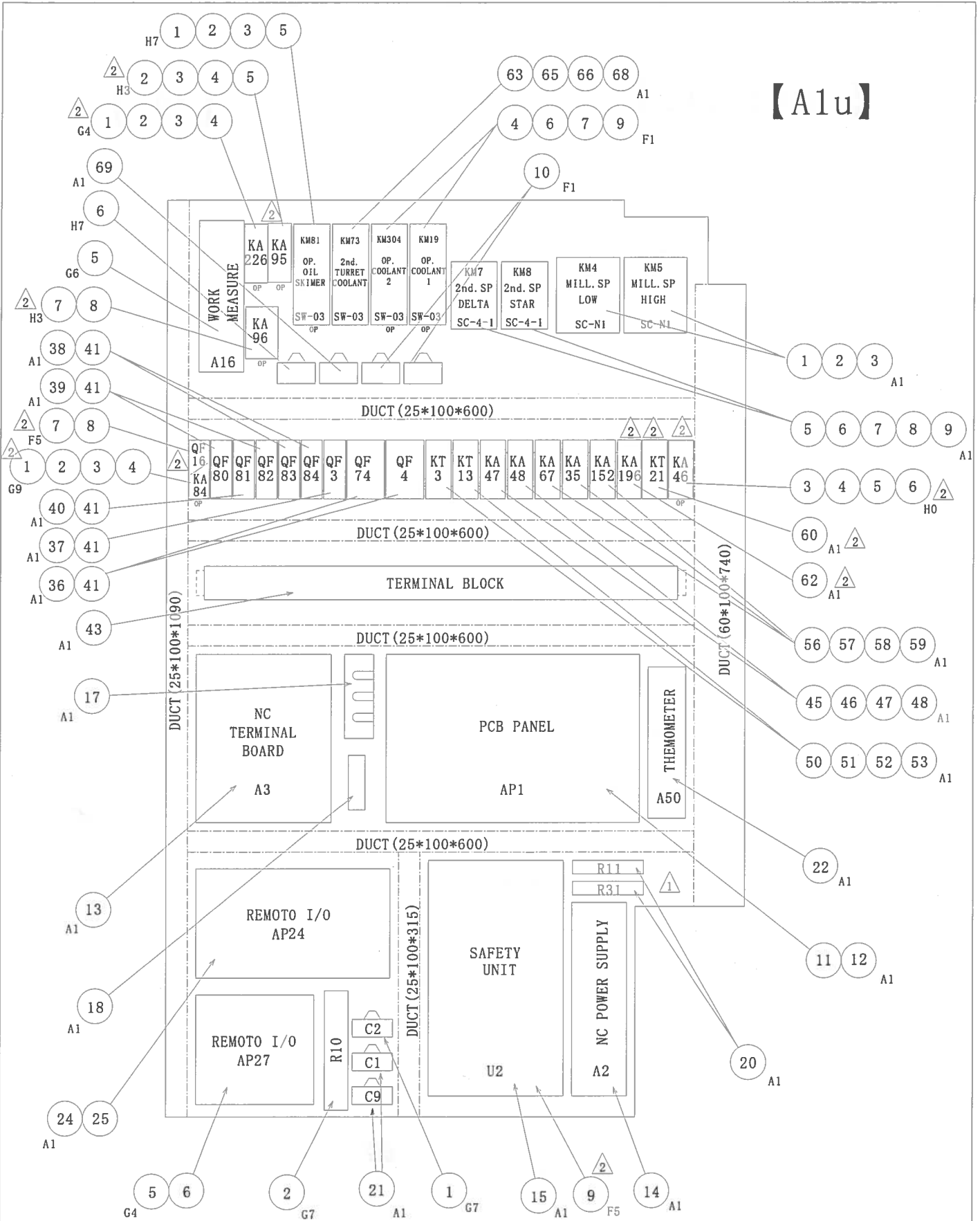


【BOTTOM VIEW】

△		 YAMAZAKI MAZAK CORPORATION	APR'D BY	CHK'D BY	DRWN BY	TITLE
△					04/12/02	PARTS ARRANGEMENT ON AMP PANEL
△			H. GOTO	H. GOTO	H. I. NAGAKI	
△	ADD 80/120 TOOL '04.11.15. H. N.					DRWN NO.
△	CHANGE 100CT→200CT '04.10.30. H. N.					372070500092

This product is subject to all applicable Japanese Foreign Exchange and Foreign Trade Law
 本品は『外国為替及び外国貿易法』に該当しますので外国に輸出する場合には同法に基づく許可を必要とします。

【A1u】



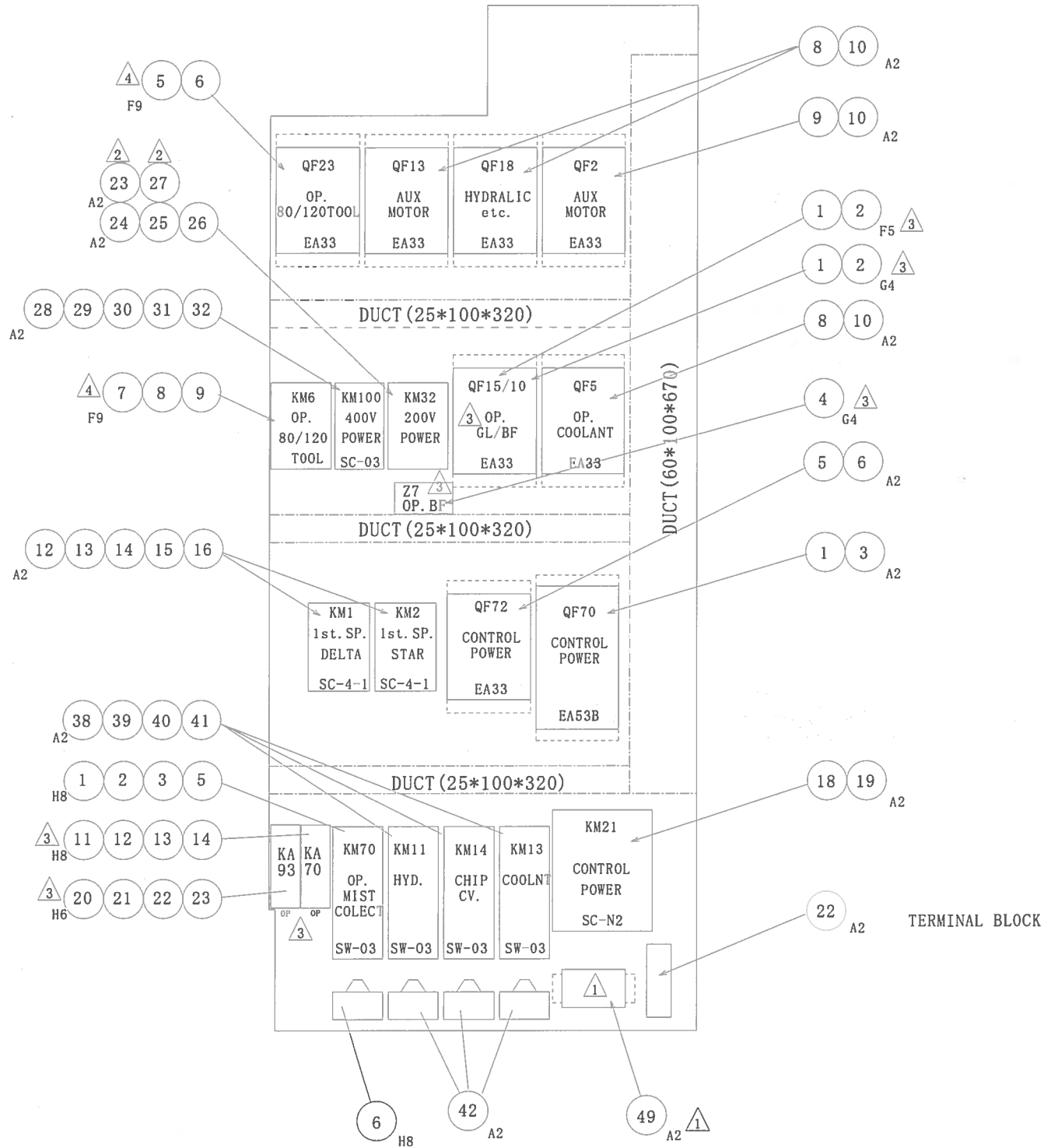
△		APR'D BY	CHK'D BY	DRWN BY	TITLE
△				04/12/02	PARTS ARRANGEMENT ON CONTROL PANEL
△	ADD GL/AUTO DOOR/MAG POWER CUT' 04.10.30.H.N.	H GOTO	H GOTO	H I NAGAKI	DRWN NO. 372070500102
△	Del. '03.09.01 H. I				

Mazak
YAMAZAKI MAZAK CORPORATION

This product is subject to all applicable Japanese Foreign Exchange and Foreign Trade Law
 本品は『外国為替及び外国貿易法』に該当しますので外国に輸出する場合には同法に基づく許可を必要とします。

【STD SPEC.】

【A2u】



△		
△	Add. 80/120TOOL	'04.11.15.H.N.
△	Add. OPTION	'04.10.30.H.N.
△	Add.	'04.05.14.H.N.
△	Add.	'03.09.01.H.I.

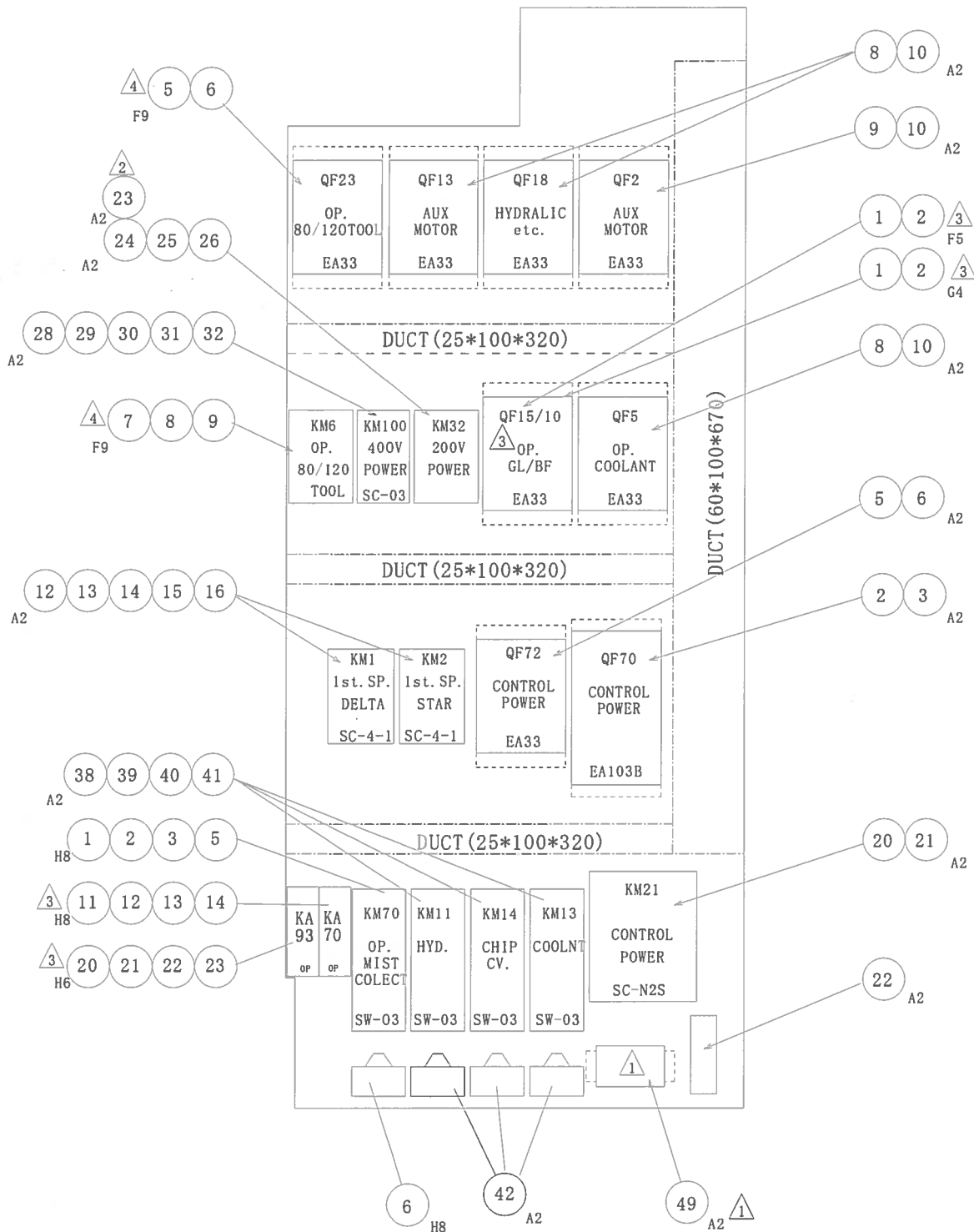
Mazak
YAMAZAKI MAZAK CORPORATION


APR'D BY	CHK'D BY	DRWN BY	TITLE
H. GOTO	H. GOTO	H. I. NAGAKI	PARTS ARRANGEMENT ON POWER PANEL
			DRWN NO. 372070500114

This product is subject to all applicable Japanese Foreign Exchange and Foreign Trade Law
 本品は『外国為替及び外国貿易法』に該当しますので外国に輸出する場合には同法に基づく許可を必要とします。

【S/ST SPEC.】

【A2u】

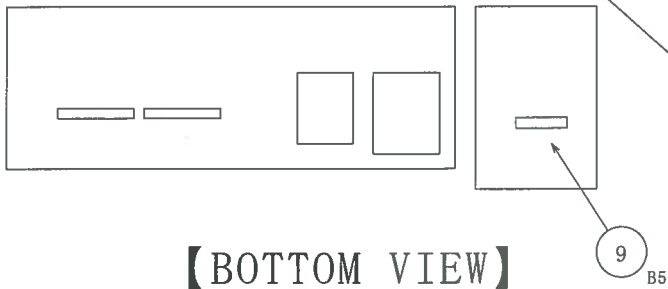
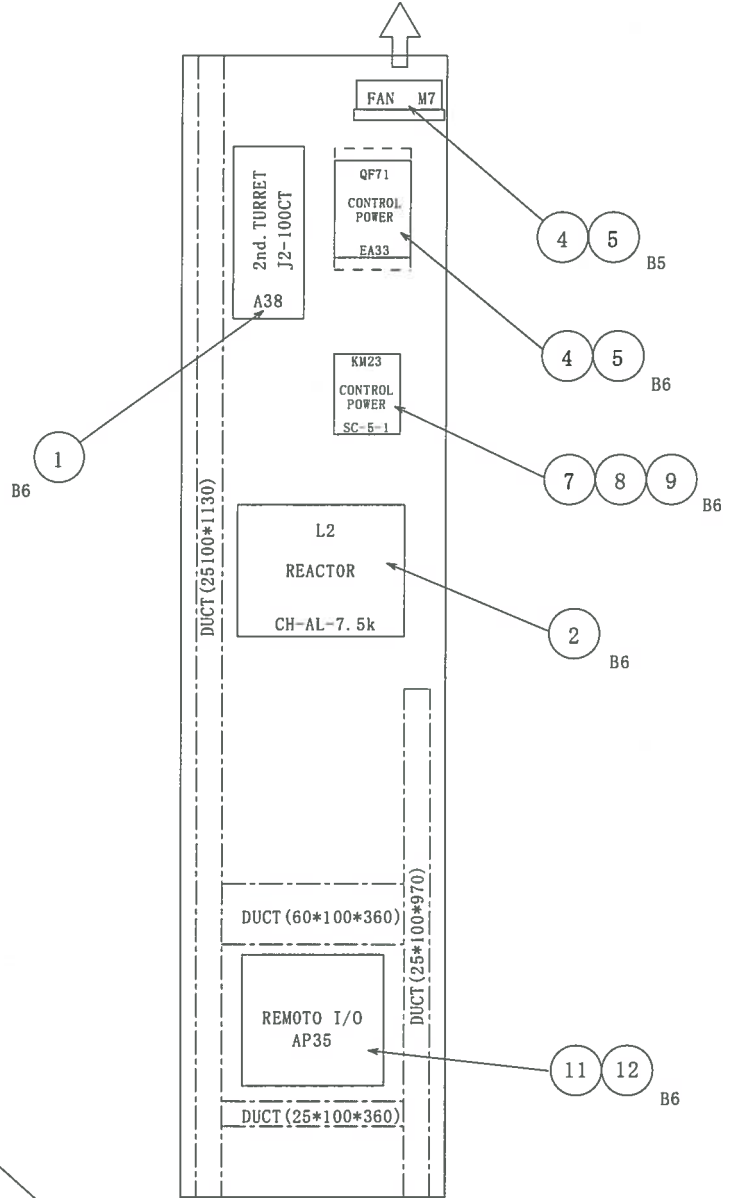
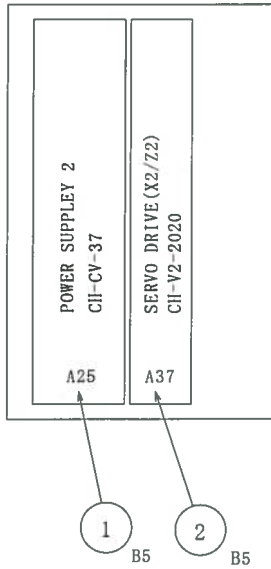


△			APR'D BY	CHK'D BY	DRWN BY	TITLE
△	Add. 80/120TOOL	'04.11.15.H.N.	H GOTO	H GOTO	H I NAGAKI	PARTS ARRANGEMENT ON POWER PANEL
△	Add. OPTION	'04.10.30.H.N.				
△	Add.	'04.05.14.H.N.				
△	Add.	'03.09.01.H.I				
 YAMAZAKI MAZAK CORPORATION			DRWN NO.		372070500124	

This product is subject to all applicable Japanese Foreign Exchange and Foreign Trade Law
 本品は『外国為替及び外国貿易法』に該当しますので外国に輸出する場合には同法に基づく許可を必要とします。

【B5u】

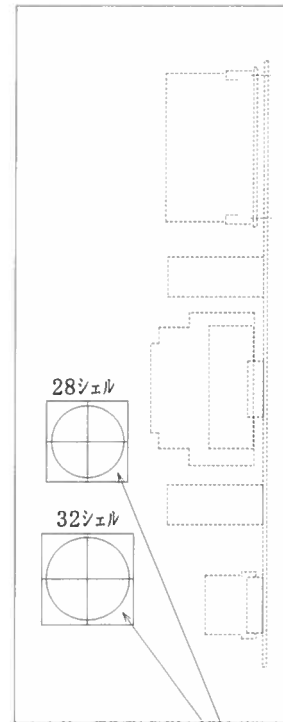
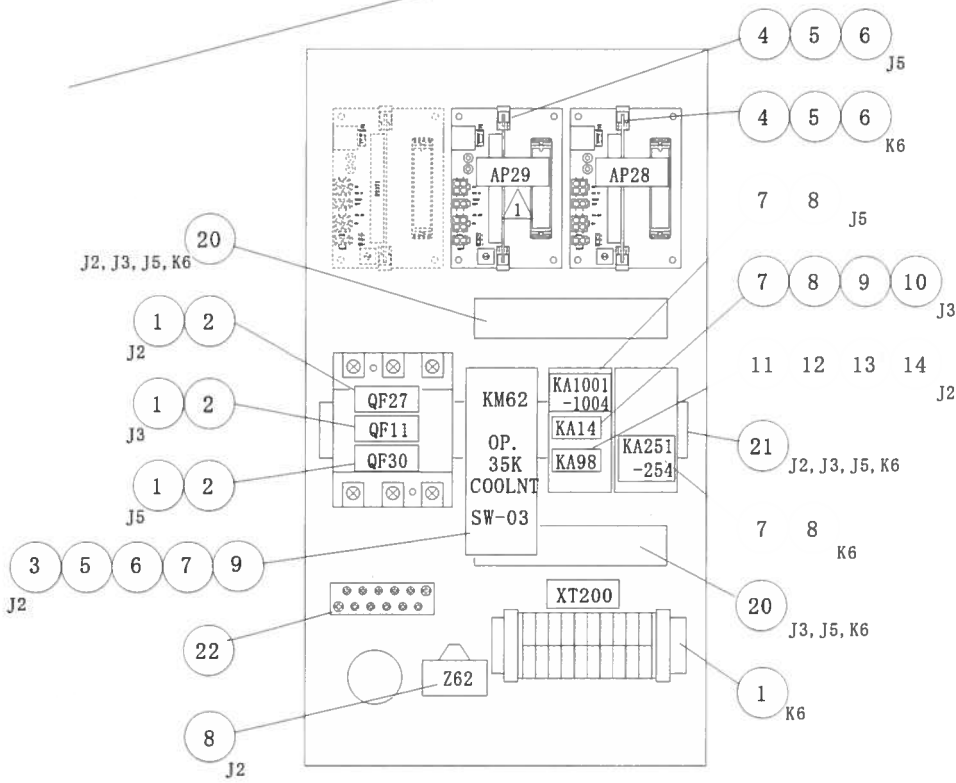
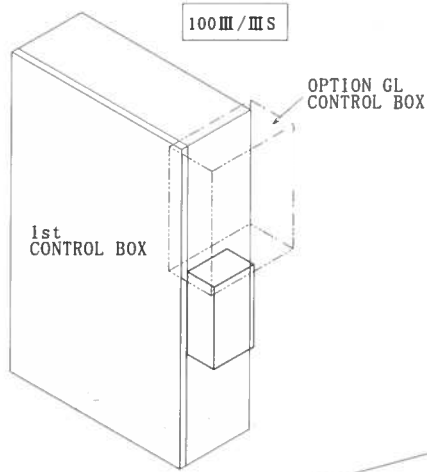
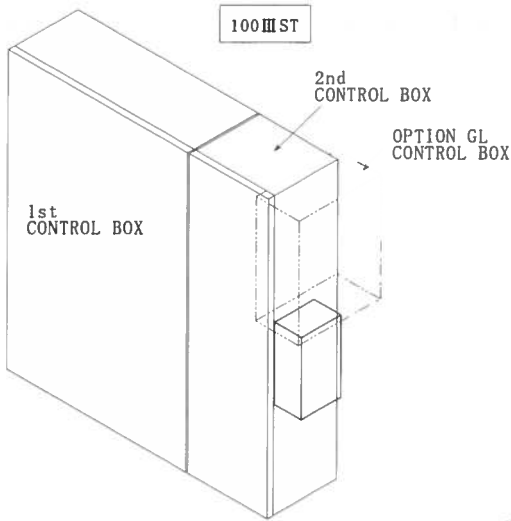
【B6u】



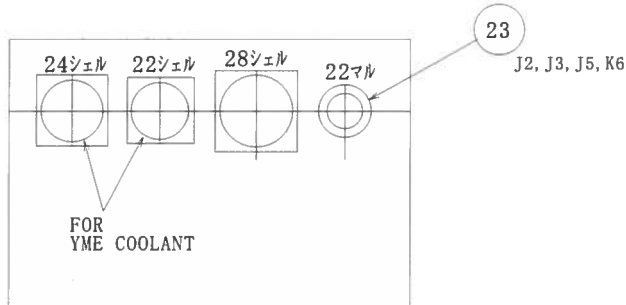
【BOTTOM VIEW】

	APR'D BY		CHK'D BY	DRWN BY	TITLE
	H. GOTO		H. GOTO	H. I. NAGAKI	PARTS ARRANGEMENT ON POWER PANEL 2 DRWN NO. 372070500130
	 YAMAZAKI MAZAK CORPORATION			03/07/08	

This product is subject to all applicable Japanese Foreign Exchange and Foreign Trade Law
 本品は『外国為替及び外国貿易法』に該当しますので外国に輸出する場合には同法に基づく許可を必要とします。



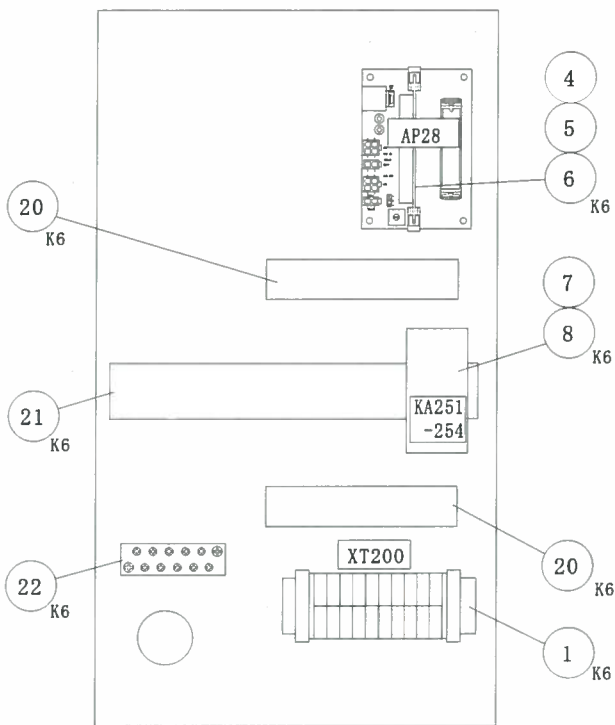
FOR ROBOT IF



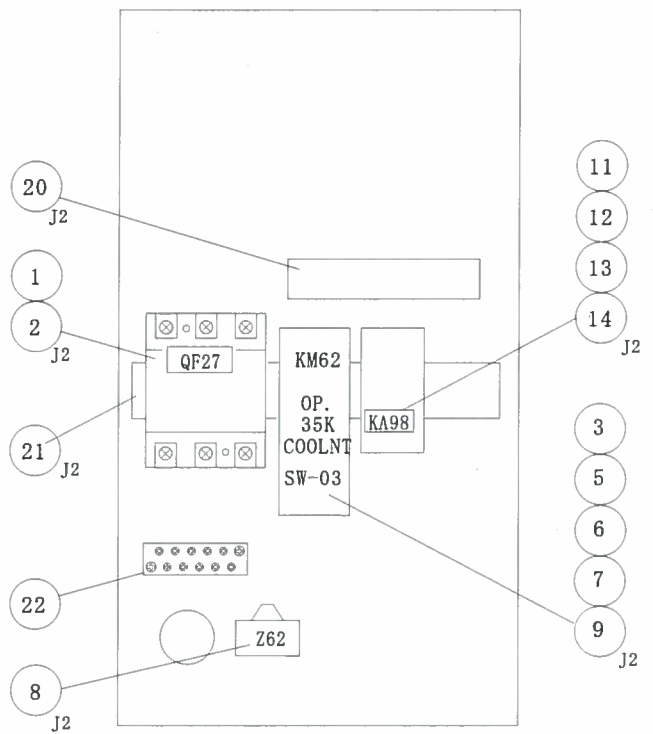
△		 YAMAZAKI MAZAK CORPORATION	APR'D BY	CHK'D BY	DRWN BY	TITLE
△					04/12/02	OPTI ON CONTROL BOX
△			H GOTO	H GOTO	H I NAGAKI	DRWN NO.
△	ALT.		'04.11.15.H.N.			372070500151

This product is subject to all applicable Japanese Foreign Exchange and Foreign Trade Law
 本品は『外国為替及び外国貿易法』に該当しますので外国に輸出する場合には同法に基づく許可を必要とします。

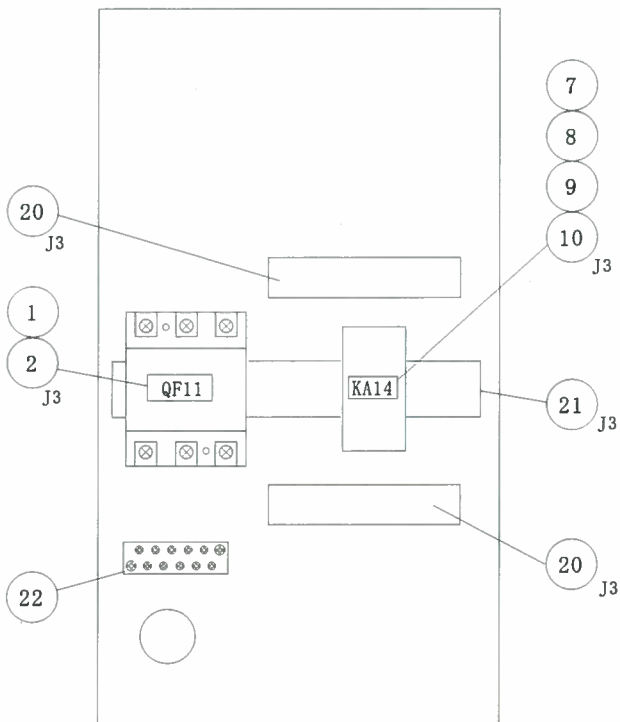
【K6u】 ADDITIONAL M FUNCTION SPEC



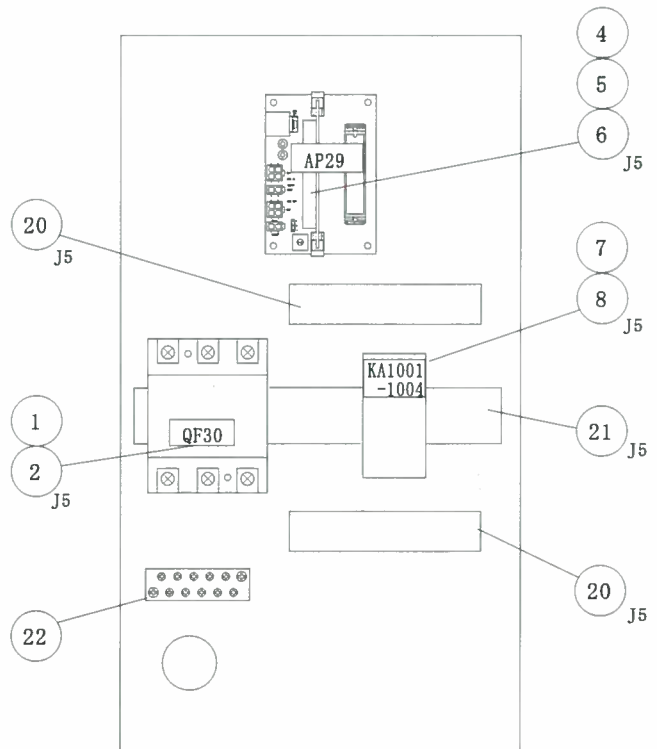
【J2u】 35K HIGH PRESS. COOLANT SPEC



【J3u】 MAGNUM HIGH PRESS. COOLANT SPEC



【J5u】 YME HIGH PRESS. COOLANT SPEC

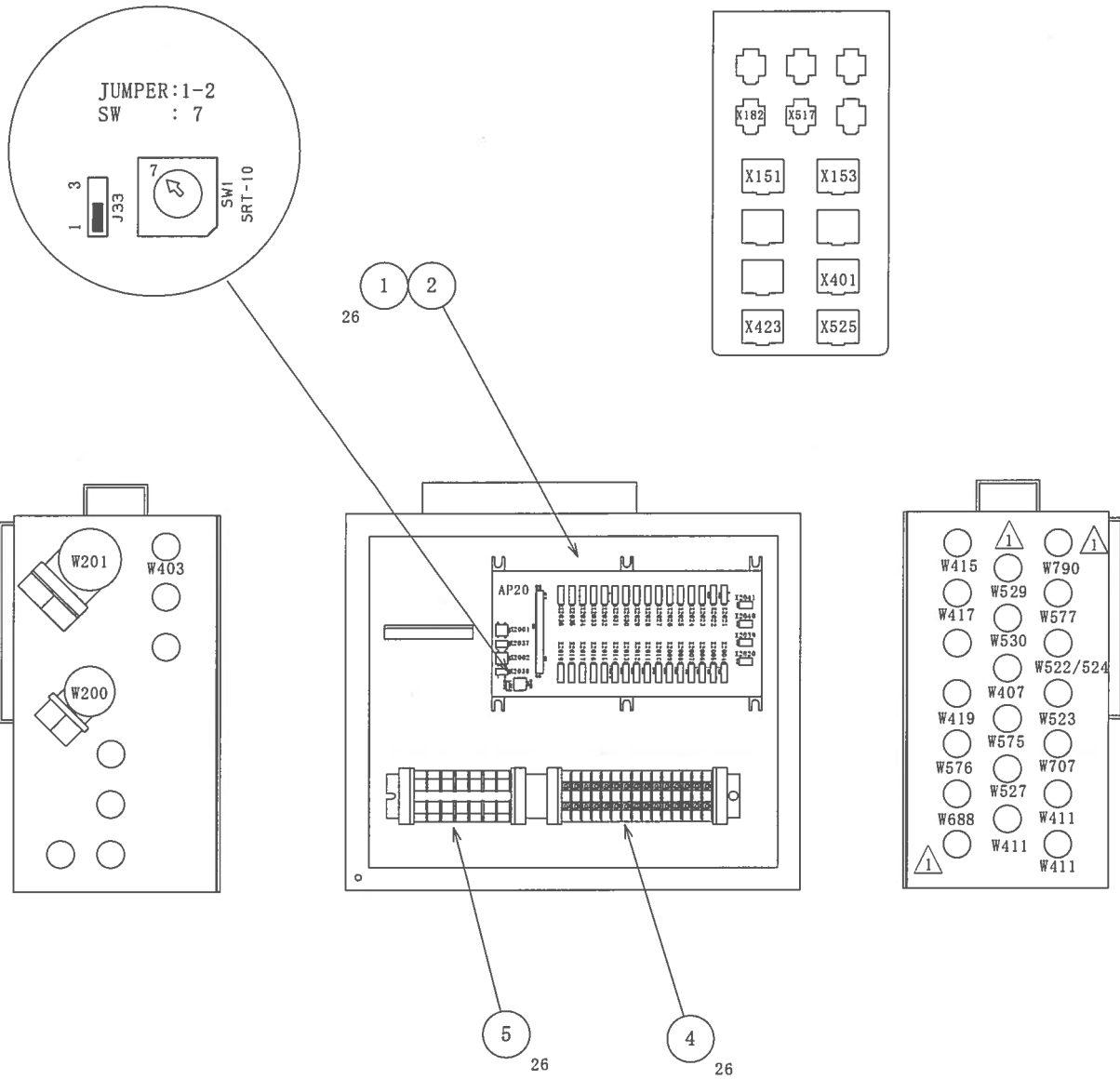


				APR'D BY	CHK'D BY	DRWN BY	TITLE	
				H. GOTO	H. GOTO	H. INAGAKI	04/12/02	OPTI ON CONTROL BOX
							DRWN NO.	372070500160

This product is subject to all applicable Japanese Foreign Exchange and Foreign Trade Law
 本品は『外国為替及び外国貿易法』に該当しますので外国に輸出する場合には同法に基づく許可を必要とします。

【26u】

SPINDLE CONNECTION BOX LAYOUT

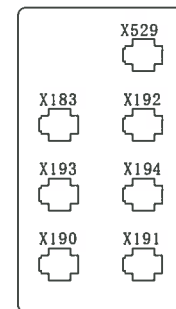
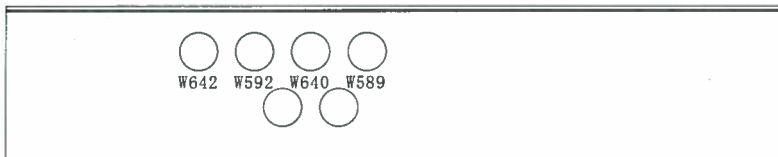
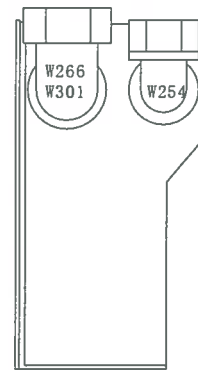
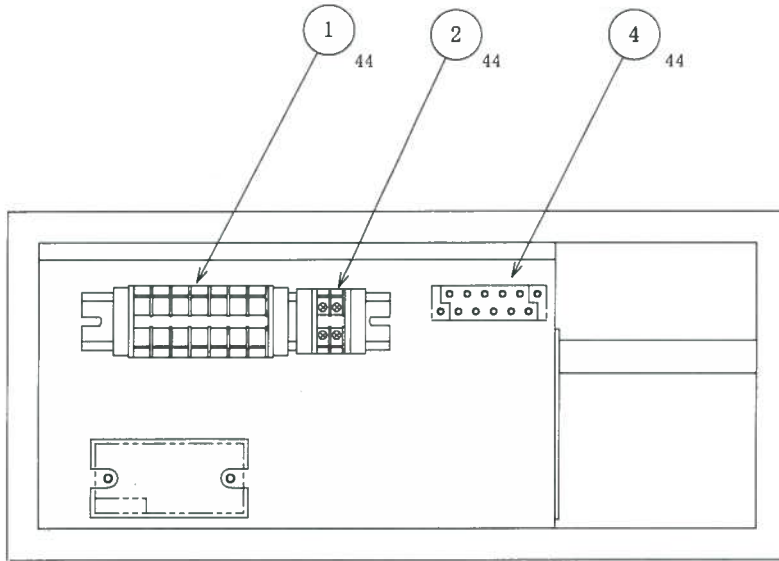


△		APR'D BY	CHK'D BY	DRWN BY	TITLE
△				04/02/19	SPINDLE CONNECTION BOX LAYOUT
△		H GOTO	H GOTO	H INAGAKI	DRWN NO. 372070500261
△	Change	'03.09.01 H. I.			

This product is subject to all applicable Japanese Foreign Exchange and Foreign Trade Law
 本品は『外国為替及び外国貿易法』に該当しますので外国に輸出する場合には同法に基づく許可を必要とします。

2nd. SPINDLE CONNECTION BOX LAYOUT

【44u】

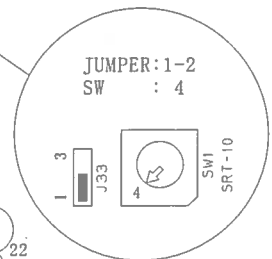
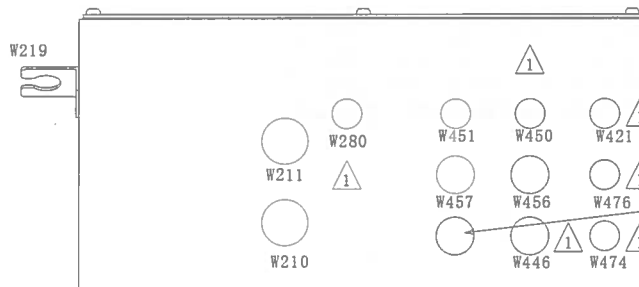
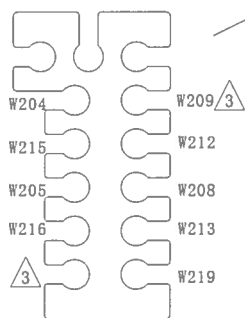
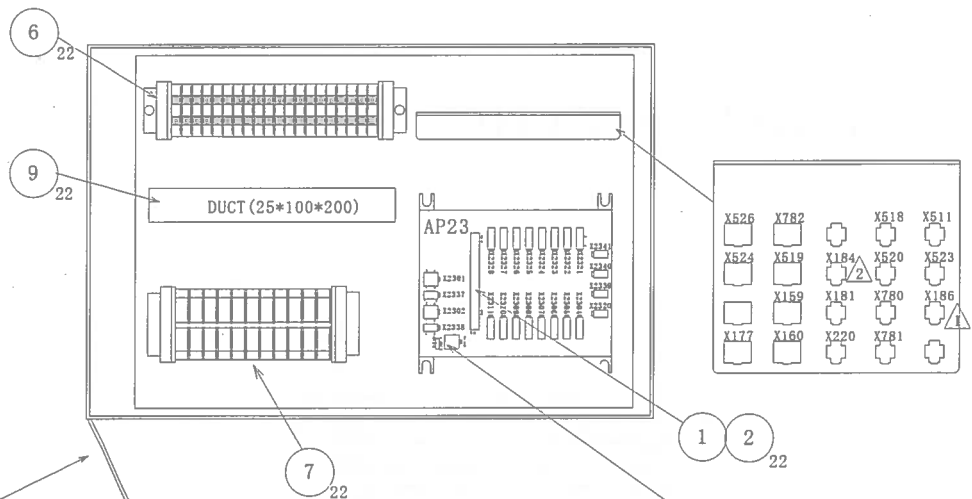
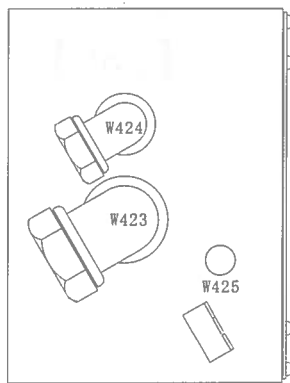


△		 YAMAZAKI MAZAK CORPORATION	APR'D BY	CHK'D BY	DRWN BY	TITLE
△					03/07/08	2nd. SPINDLE CONNECTION BOX LAYOUT
△			H. GOTO	H. GOTO	H. INAGAKI	DRWN NO. 372070500270
△						
△						

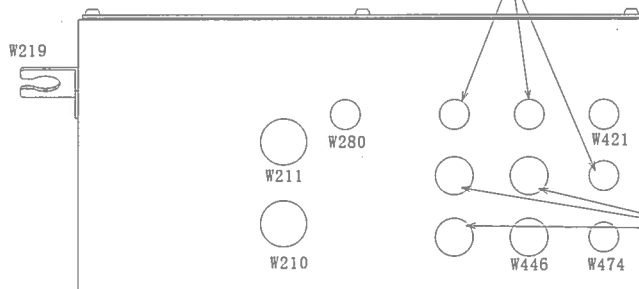
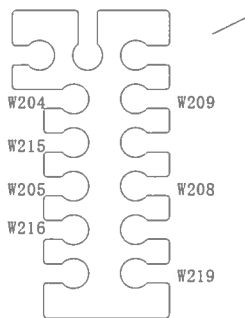
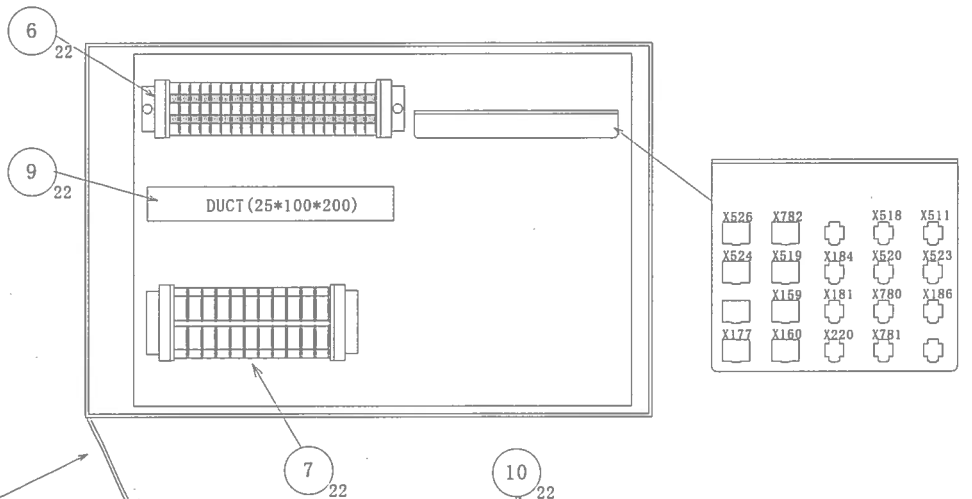
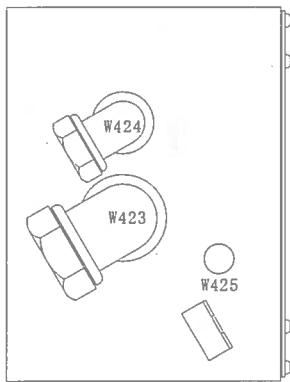
This product is subject to all applicable Japanese Foreign Exchange and Foreign Trade Law
 本品は『外国為替及び外国貿易法』に該当しますので外国に輸出する場合には同法に基づく許可を必要とします。

MAGAZINE CONNECTION BOX LAYOUT 【22u】

【20/40 TOOL】



【80/120 TOOL】



△		
△		
△	ADD 80TOOL SPEC	'04.11.15.H.N.
△	ADD	'04.05.14.H.N.
△	Change	'03.09.01.H.I

Mazak
YAMAZAKI MAZAK CORPORATION

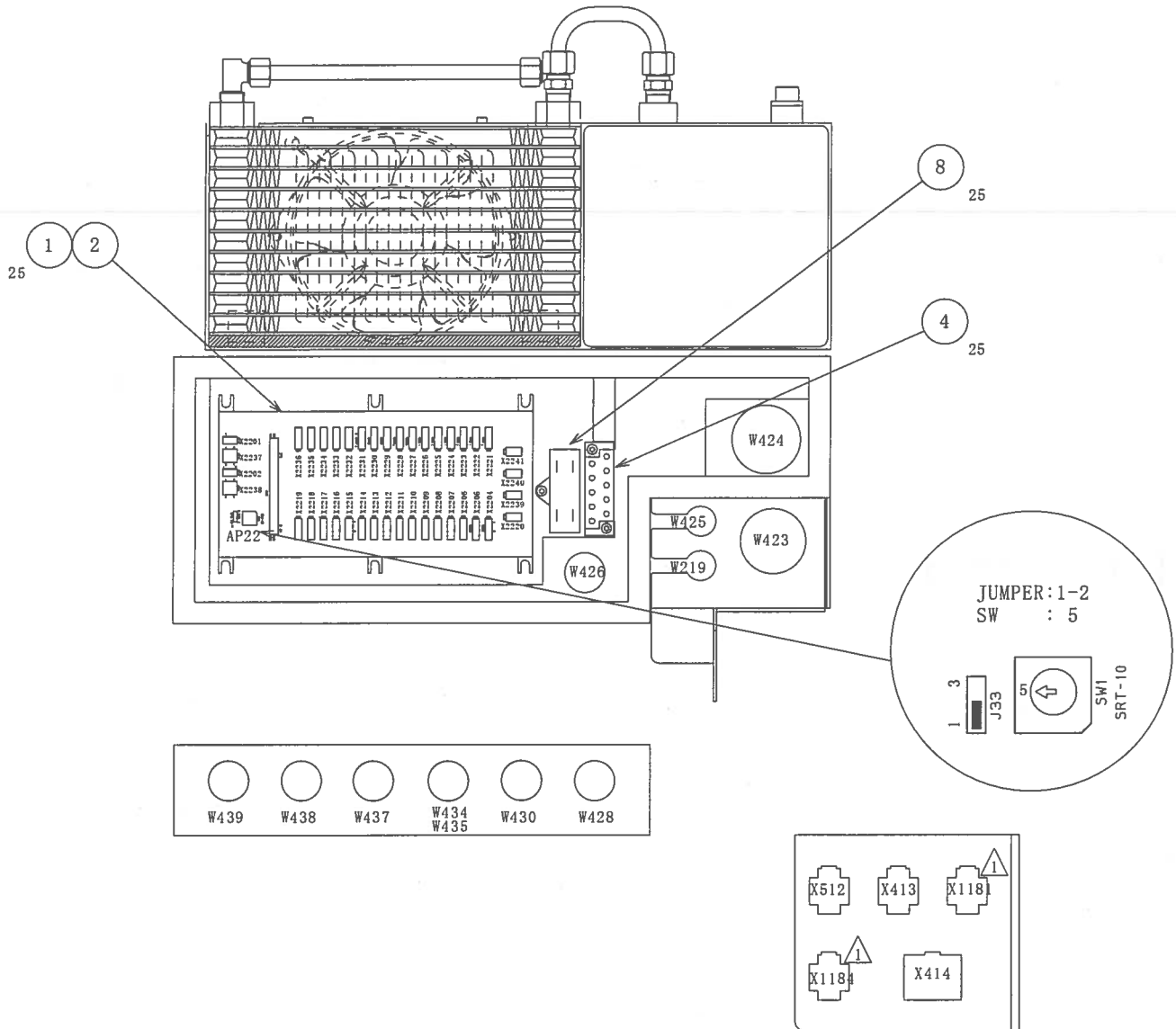
APR'D BY	CHK'D BY	DRWN BY
H GOTO	H GOTO	H I NAGAKI

TITLE	DRWN NO.
MAGAZINE CONNECTION BOX LAYOUT	372070500283

This product is subject to all applicable Japanese Foreign Exchange and Foreign Trade Law
 本品は『外国為替及び外国貿易法』に該当しますので外国に輸出する場合には同法に基づく許可を必要とします。

TURRET CONNECTION BOX LAYOUT

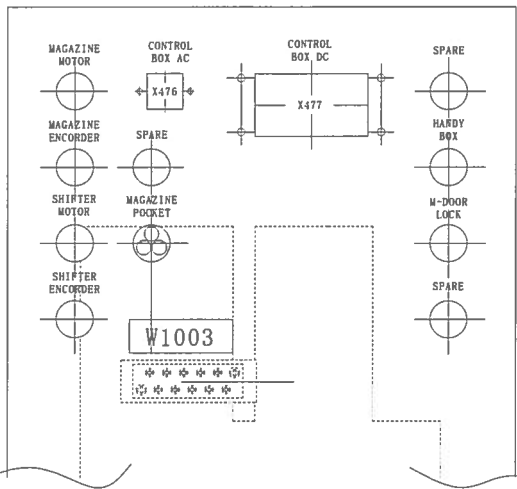
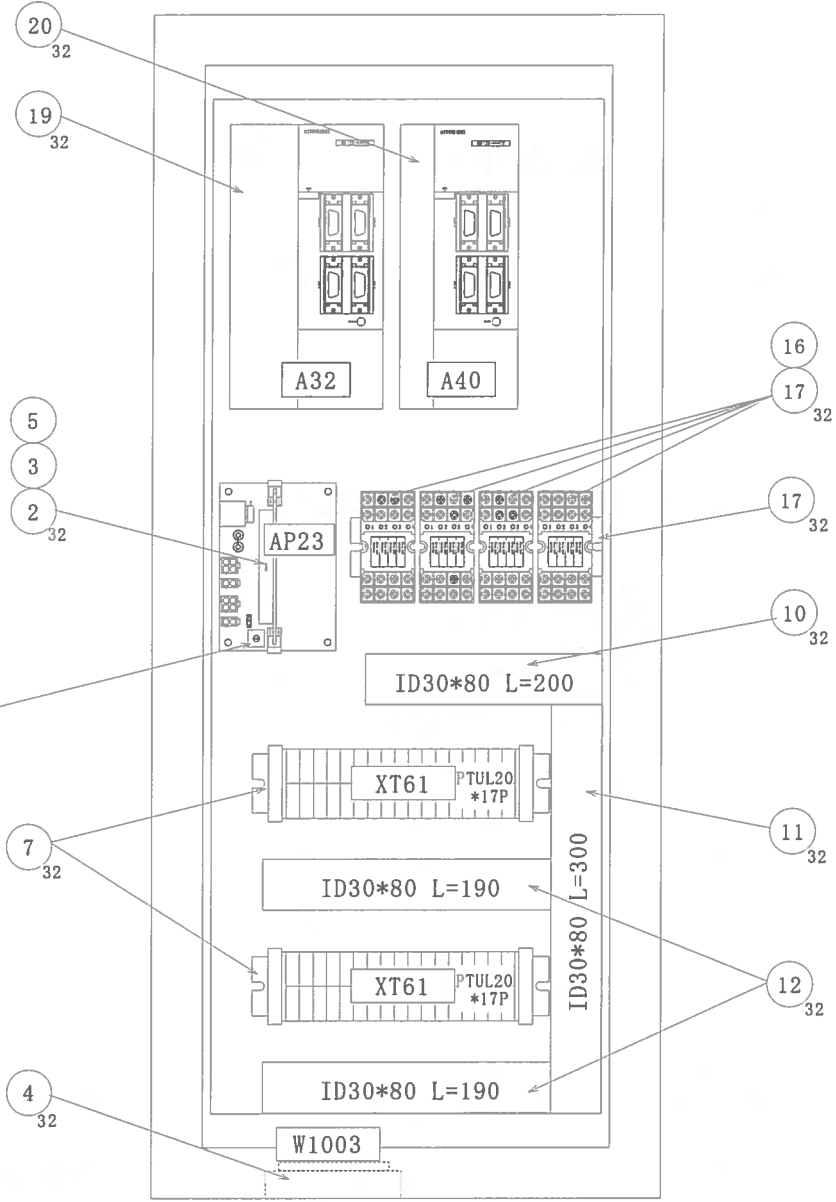
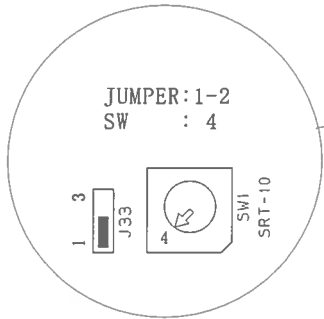
【25u】



△		 YAMAZAKI MAZAK CORPORATION	APR'D BY	CHK'D BY	DRWN BY	TITLE
△			H GOTO	H GOTO	H I NAGAKI	TURRET CONNECTION BOX LAYOUT
△						DRWN NO. 372070500291
△	ADD		'04.05.14.H.N.			

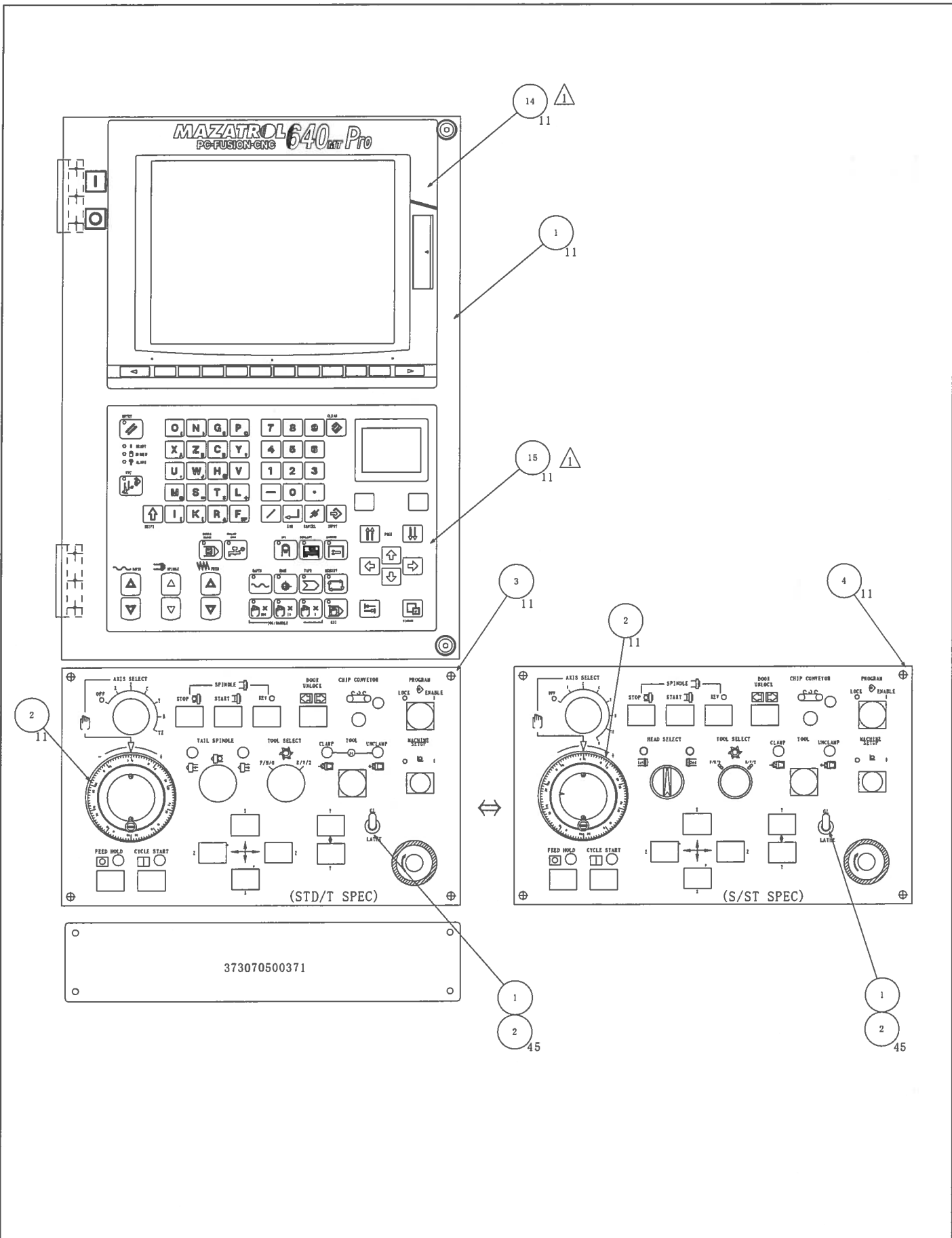
This product is subject to all applicable Japanese Foreign Exchange and Foreign Trade Law
 本品は『外国為替及び外国貿易法』に該当しますので外国に輸出する場合には同法に基づく許可を必要とします。

【32u】
80/120TOOL MAGAZINE
CONNECTION BOX



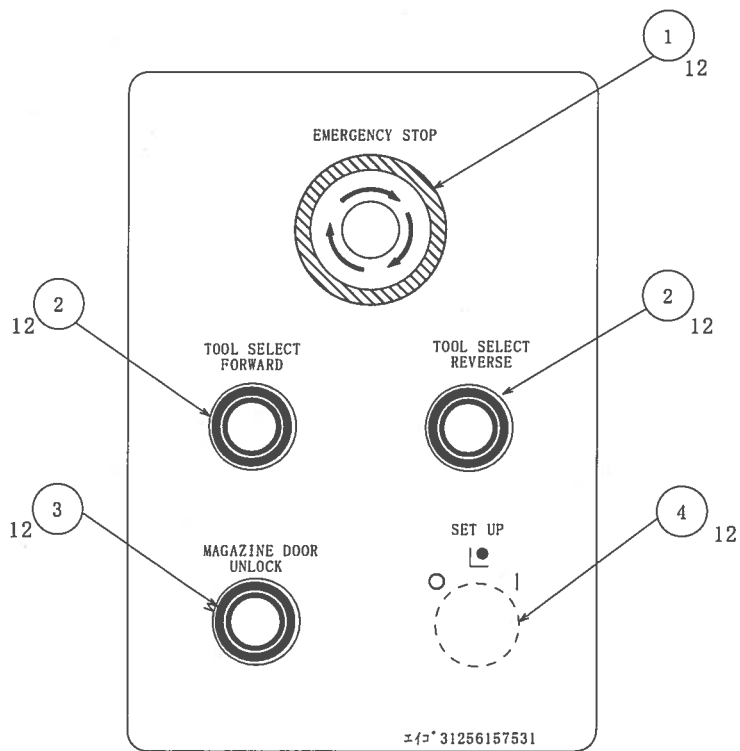
△		APR'D BY	CHK'D BY	DRWN BY	TITLE
△				04/12/02	80/120TOOL MAGAZINE CONNECTION BOX
△		H. GOTO	H. GOTO	H. I. NAGAKI	DRWN NO. 372070500300
△		Mazak YAMAZAKI MAZAK CORPORATION			


This product is subject to all applicable Japanese Foreign Exchange and Foreign Trade Law
 本品は『外国為替及び外国貿易法』に該当しますので外国に輸出する場合には同法に基づく許可を必要とします。



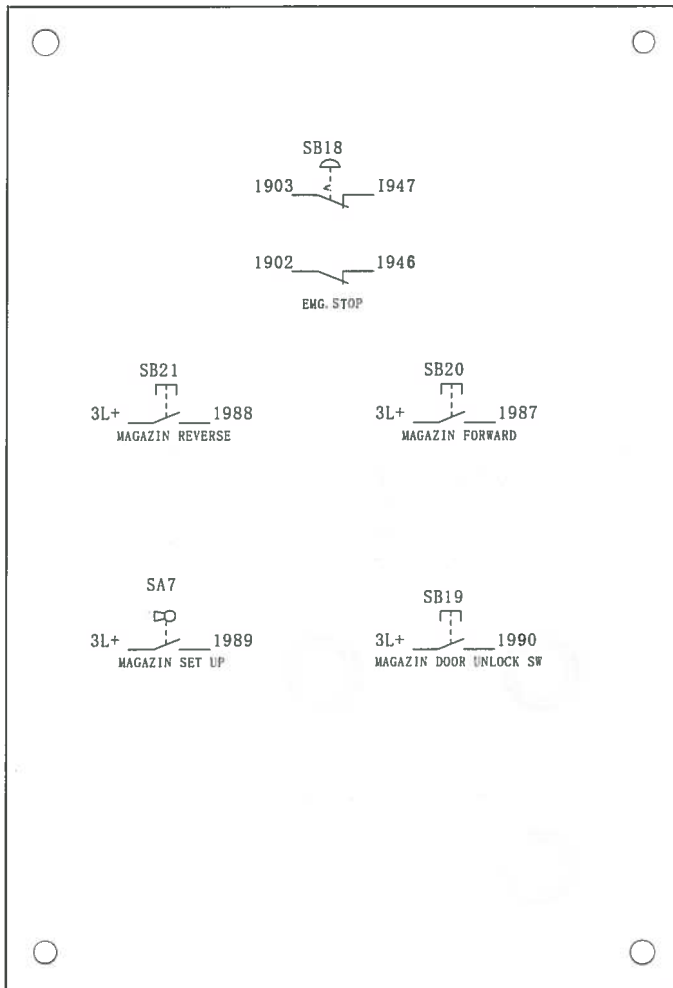
△		 YAMAZAKI MAZAK CORPORATION	APR' D BY	CHK' D BY	DRWN BY	TITLE
△			H GOTO	H GOTO	H I NAGAKI	OPERATING PANEL (INTE100Ⅲ)
△						DRWN NO. 372070500341
△	Add.		'03.09.01 H.I			

This product is subject to all applicable Japanese Foreign Exchange and Foreign Trade Law
 本品は『外国為替及び外国貿易法』に該当しますので外国に輸出する場合には同法に基づく許可を必要とします。



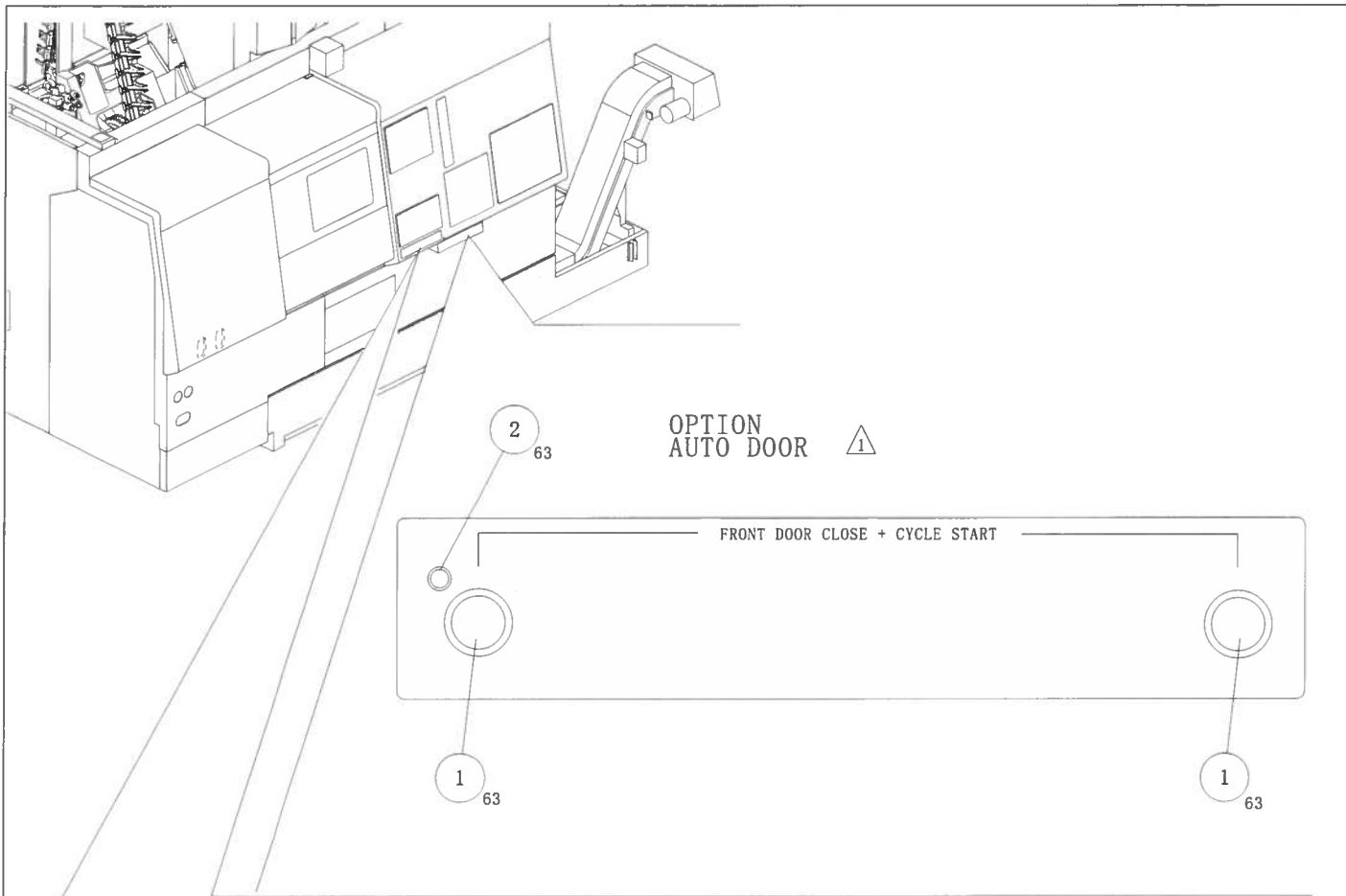
△		APR'D BY	CHK'D BY	DRWN BY	TITLE
△				03/07/08	MAGAZINE OPERATING PANEL (20/40 TOOLS)
△		H. GOTO	H. GOTO	H. I. NAGAKI	DRWN NO. 372070500350
△		 YAMAZAKI MAZAK CORPORATION			
△					

This product is subject to all applicable Japanese Foreign Exchange and Foreign Trade Law
 本品は『外国為替及び外国貿易法』に該当しますので外国に輸出する場合には同法に基づく許可を必要とします。

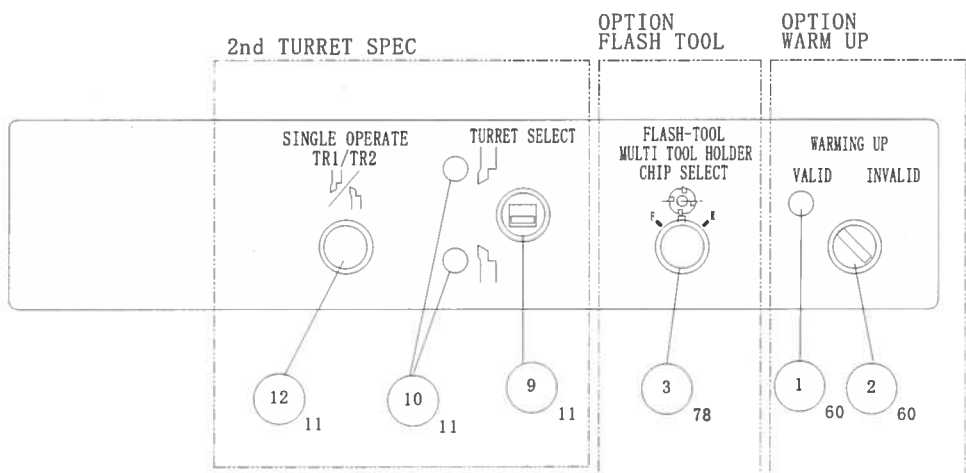


△		 YAMAZAKI MAZAK CORPORATION	APR'D BY	CHK'D BY	DRWN BY	TITLE
△					03/07/08	MAGAZIN PANEL REAR VIEW (20/40 TOOL)
△			H. GOTO	H. GOTO	H. I. NAGAKI	DRWN NO. 372070500360
△						
△						

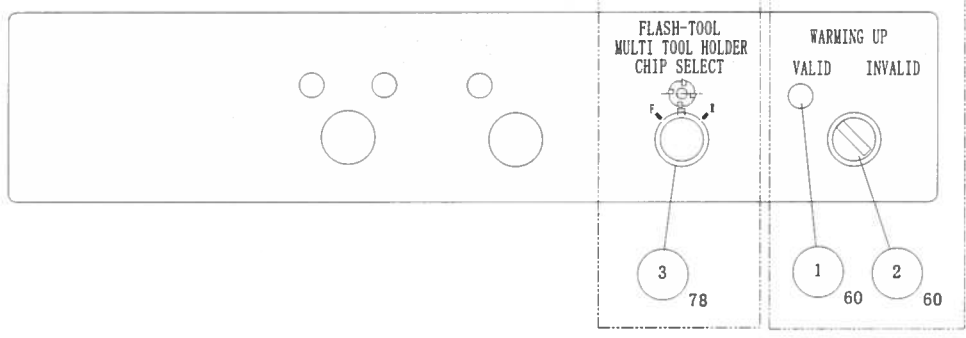
This product is subject to all applicable Japanese Foreign Exchange and Foreign Trade Law
 本品は『外国為替及び外国貿易法』に該当しますので外国に輸出する場合には同法に基づく許可を必要とします。



T/ST SPEC.



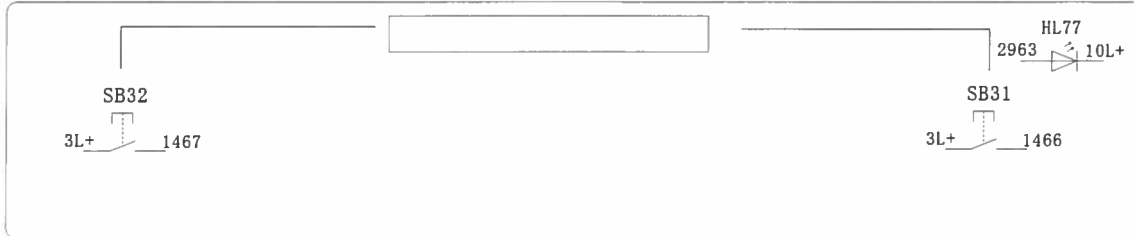
Std/S SPEC.



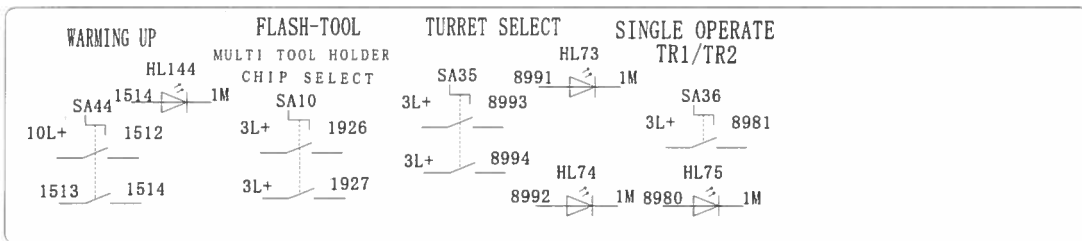
⚠		APR'D BY	CHK'D BY	DRWN BY	TITLE
⚠				04/12/02	OPTI ON PANEL
⚠		H GOTO	H GOTO	H I NAGAKI	DRWN NO. 372070500371
⚠	ADD AUTO DOOR SPEC '04.10.30.H.N.	 YAMAZAKI MAZAK CORPORATION			

This product is subject to all applicable Japanese Foreign Exchange and Foreign Trade Law
 本品は『外国為替及び外国貿易法』に該当しますので外国に輸出する場合には同法に基づく許可を必要とします。

OPTION AUTO DOOR



T/ST SPEC.



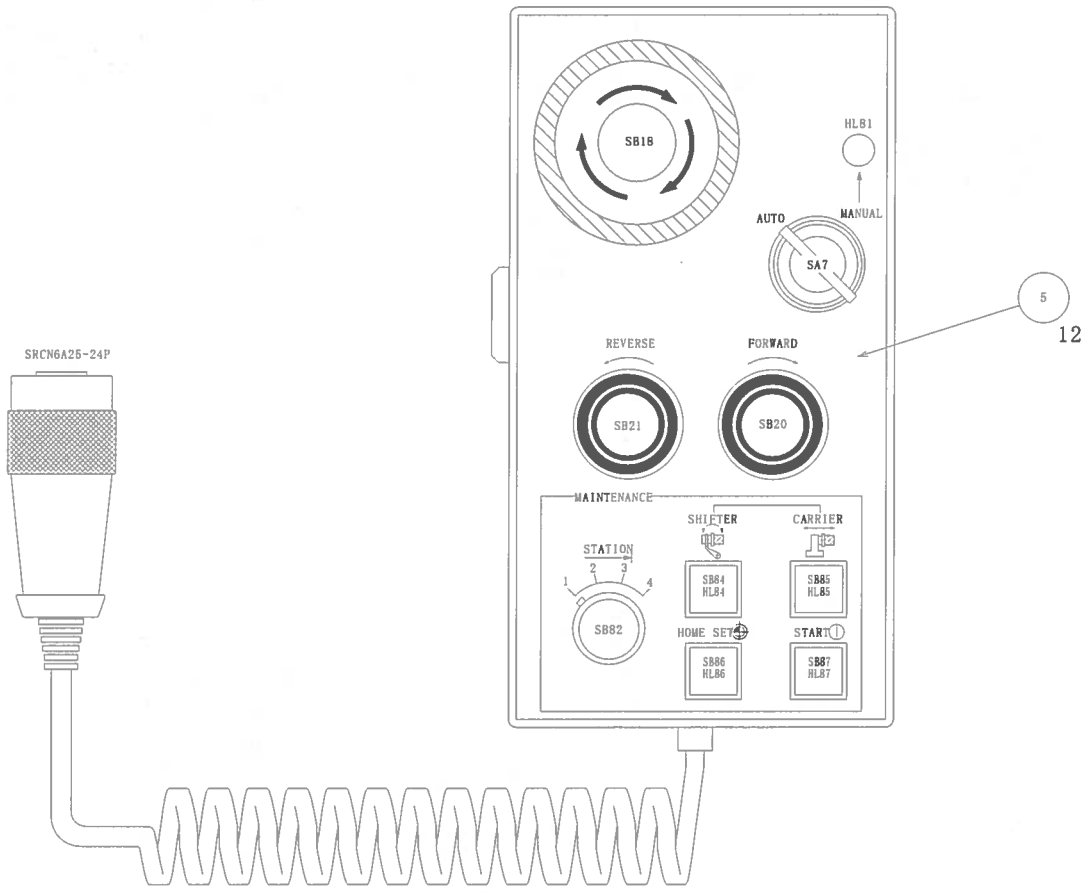
Std/S SPEC.



			APR' D BY	CHK' D BY	DRWN BY	TITLE	
			H GOTO	H GOTO	H I NAGAKI	04/12/02	OPTION PANEL REAR VIEW
	ADD AUTO DOOR SPEC '04.10.30.H.N.						DRWN NO. 372070500381


This product is subject to all applicable Japanese Foreign Exchange and Foreign Trade Law
 本品は『外国為替及び外国貿易法』に該当しますので外国に輸出する場合には同法に基づく許可を必要とします。

HANDY-BOX



CARL CODE 5a

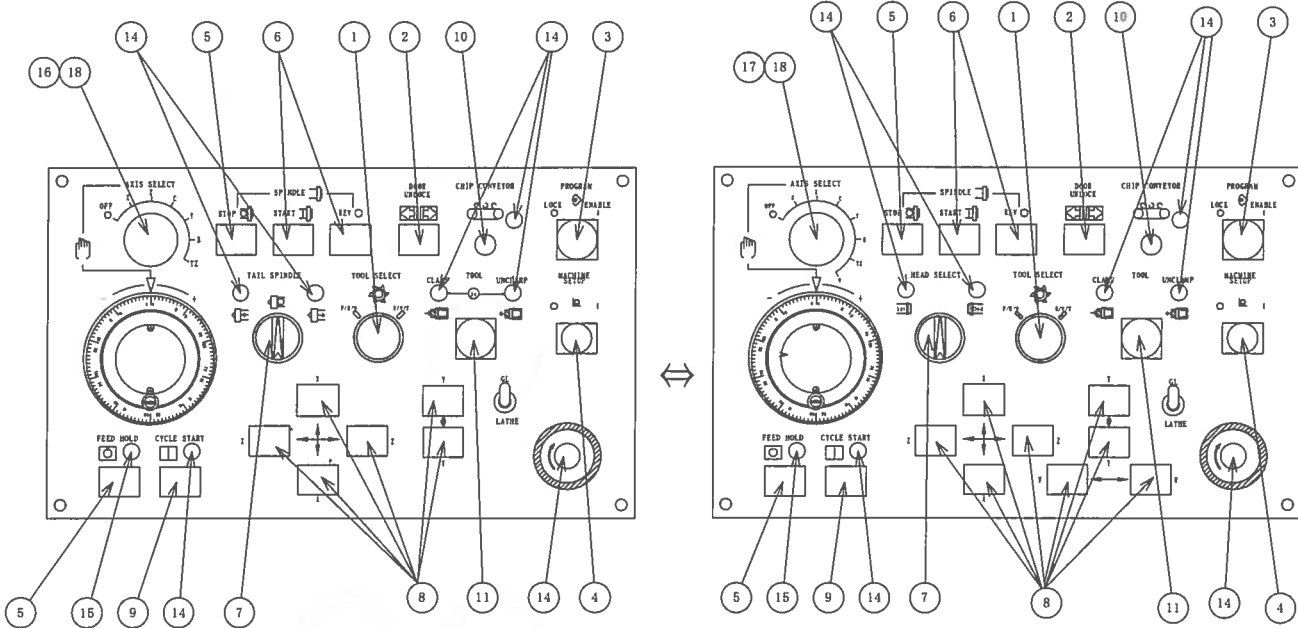
80/120 TOOLS

△		 YAMAZAKI MAZAK CORPORATION	APR'D BY	CHK'D BY	DRWN BY	TITLE
△			H. GOTO	H. GOTO	H. I. NAGAKI	MAGAZINE OPERATING PANEL(80/120 TOOLS)
△						DRWN NO. 372070500390
△						

This product is subject to all applicable Japanese Foreign Exchange and Foreign Trade Law
 本品は『外国為替及び外国貿易法』に該当しますので外国に輸出する場合には同法に基づく許可を必要とします。

【STD/T SPEC】

【S/ST SPEC】



①	D14FA000610	SELECT RING SW.	AH16P-2S2BX
②	D15FA003570	PUSH BUTTON SW.	AH16P-TFWX
③	D13FA001810	SELECT SW.	AH16P-2J2AXA
④	D26FA000890	KEY SW.	AH16P-J2BXA
⑤	D15FA003540	PUSH BUTTON SW.	AH16P-TFRX
⑥	D15FA004180	PUSH BUTTON SW.	AH16P-TGLWXE3
⑦	D13FA001830	SELECT SW.	AH16P-2P1BX
⑧	D15FA003550	PUSH BUTTON SW.	AH16P-TGFWX
⑨	D15FA003560	PUSH BUTTON SW.	AH16P-TGFGX
⑩	D15FA003600	PUSH BUTTON SW.	AH16P-EBX
⑪	D13FA001820	SELECT SW.	AH16P-2J2AXB
⑫	D15FA003580	COMMAND SW.	AR22V0R-02RZ010
⑬	D15FA003590	ROCK RING	AHX2601
⑭	D80FA009050	SMALL LIGHT	DP08B5L-G
⑮	D80FA009060	SMALL LIGHT	DP08B5L-A
⑯	D18ZZ001560	ROTARY SW.	RS400P1-1-7AP3016R
⑰	D18ZZ001300	ROTARY SW.	RS400P1-1-8AP3016R
⑱	D18ZZ001340	HANDLE	BS60
⑲			
⑳			

△		APR' D BY	CHK' D BY	DRWN BY	TITLE
△				04/02/19	OPERATING PANEL PARTS LIST
△		H. GOTO	H. GOTO	H. I. NAGAKI	DRWN NO. 372070500410
△		Mazak YAMAZAKI MAZAK CORPORATION			

This product is subject to all applicable Japanese Foreign Exchange and Foreign Trade Law
 本品は『外国為替及び外国貿易法』に該当しますので外国に輸出する場合には同法に基づく許可を必要とします。

機種分類 : 3720 / INTEGEX 100III

/ A0A / 制御盤部品

変更NO	出図NO	識区	ユニットNO	ユニット仕様	対応組図	対応組図	対応組図	対応組図	対応組図	関連変番
HA001E		UC A	7372A000101	100III SPEC. [JPN]						
HA001E		UC B	7372A000201	100III SPEC. [YMC]						
HA001E		UC C	7372A000301	100III SPEC. [YME]						
HA001E		UC D	7372A000401	100III SPEC. [JPN]						
HA001E		UC E	7372A000501	100III SPEC. [YMC]						
HA001E		UC F	7372A000601	100III SPEC. [YME]						

変更NO	出図NO	誠認	NO	部品番号	部品和	PARTS-NAME	材質	メーカー名	型式	名称補助	A	B	C	D	E	F	G	H	J	K	L	M	N	P	Q	駆コ		
			1	D72MA011430	デングレキユユニット	POWER SUPPLY UNIT		MITSUBISHI	MDS-CH-CV-150	A5	(1)	(1)														C		
			2	D72MA011640	デングレキユユニット	POWER SUPPLY UNIT		MITSUBISHI	MDS-CH-CV-220	A5				(1)	(1)												C	
			3	D72MA011270	デングレキユユニット	POWER SUPPLY UNIT		MITSUBISHI	MDS-CH-CV-260	A5																	C	
			4	D72MA011780	スピンドルドライブユニット	SPINDLE DRIVE UNIT		MITSUBISHI	MDS-CH-SP-110	A4/17	(1)	(1)	(1)	(2)	(2)												C	
HA001E		PC	5	D72MA012490	スピンドルドライブユニット	SPINDLE DRIVE UNIT		MITSUBISHI	MDS-CH-SPH-150	A6	(1)	(1)	(1)	(1)	(1)												C	
			6	D72MA012060	サーボドライブユニット	SERVO DRIVE UNIT		MITSUBISHI	MDS-CH-V2-3510	A8	(1)	(1)	(1)	(1)	(1)												C	
			7	D72MA011620	サーボドライブユニット	SERVO DRIVE UNIT		MITSUBISHI	MDS-CH-V2-3520	A36	(1)	(1)	(1)	(1)	(1)												C	
			8	D72MA012020	サーボドライブユニット	SERVO DRIVE UNIT		MITSUBISHI	MDS-CH-V1-10	A19				(1)	(1)	(1)											C	
			9																									
			10	D72MA008430	サーボドライバ	SERVO DRIVER		MITSUBISHI	MR-J2-100CT	A33	1	1	1	1	1	1											C	
			11	D72MA008400	サーボドライバ	SERVO DRIVER		MITSUBISHI	MR-J2-40CT	A32	1	1	1	1	1	1											C	
			12																									
			13	D80MA008460	バッテリーユニット	BATTERY UNIT		MITSUBISHI	MDS-A-BT-6	A24	(1)	(1)	(1)	(1)	(1)	(1)											C	
			14																									
			15	D56TR001860	ファン	FAN		TOYO DENKI	UT650DG-TP	M6	1	1	1	1	1	1											C	
			16	D56TY001250	ファンガード	FAN GARD		TOYO DENKI	A-33E	M6	2	2	2	2	2	2												
			17																									
			18	R25TC002360	リミットスイッチ	LIMIT SWITCH		OMRON	D2D-2000	S01/50			2	2	2	2											D	
			19	D72MA008510	ケーブルクランプ	CABLE CLAMP		MITSUBISHI	CABLE CLAMP 2 POINT		(2)	(2)	(2)	(2)	(2)	(2)												
			20	43257170180	アークバー	EARHT BAR		MAZAK		W1001	2	2	2	2	2	2												
			21																									
			22	D99Z560050	リンクバー	LINK BAR		TOMINAGA	145*15*3T		2	2	2	3	3	3												
			23	D99Z560030	リンクバー	LINK BAR		TOMINAGA	115*15*3T		2	2	2	2	2	2												
			24	D99Z560020	リンクバー	LINK BAR		TOMINAGA	85*15*3T					1	1	1												
			25																									
			26	D72MA011310	リアクトル	REACTOR		MITSUBISHI	CH-AL-30K	L1				(1)	(1)	(1)												
			27	D72MA011700	リアクトル	REACTOR		MITSUBISHI	CH-AL-18.5K	L1	(1)	(1)	(1)															
			28																									
			29	D50NW002190	DC電源	DC POWER SUPPLY		DENSEI	JWS600-24	GS1	1	1	1	1	1	1											C	
			30																									
			31	D59H6100370	ダクト	DUCT		KOWA	KD610 60*100*370		1	1	1	1	1	1												
			32	D59H4100370	ダクト	DUCT		KOWA	KD410 40*100*370		1	1	1	1	1	1												
			33																									
			34	D59KKP01620	シールドパッキング	SHIELD PACKING		KITAGAWA	HSG-120150SK (L=1620mm)				2		2													
			35	D59KKP00520	シールドパッキング	SHIELD PACKING		KITAGAWA	HSG-120150SK (L=520mm)				4		4													
			36	D59HJT01620	シールドテープ	SHIELD TAPE		NISSEI	PT-RS-T15 (L=1620mm)				4		4													
			37	D59HJT00520	シールドテープ	SHIELD TAPE		NISSEI	PT-RS-T15 (L=520mm)				8		8													
			38																									
			39	D82TW001150	LANアダプター	LAN ADAPTER		TOKAI	BUSS LOAS-LTA-EX+PLT		1	1	1	1	1	1												
			40																									

機種分類 : 3720 / INTEGEX 100Ⅲ

/ A0B / 制御盤部品

変更NO	出図NO	識区	ユニットNO	ユニット仕様	対応組図	対応組図	対応組図	対応組図	対応組図	関連番号
HA001E		UC A	7372A002101	100ⅢT SPEC. [JPN]						
HA001E		UC B	7372A002201	100ⅢT SPEC. [YMC]						
HA001E		UC C	7372A002301	100ⅢT SPEC. [YME]						
HA001E		UC D	7372A002401	100ⅢST SPEC. [JPN]						
HA001E		UC E	7372A002501	100ⅢST SPEC. [YMC]						
HA001E		UC F	7372A002601	100ⅢST SPEC. [YME]						

変更NO	出図NO	識 認	NO	部品番号	部品和	PARTS-NAME	材質	メーカー名	型式	名称補助	A	B	C	D	E	F	G	H	J	K	L	M	N	P	Q	製コ	ラジ	
			1	D72MA011430	テングネキョウキユユニット	POWER SUPPLY UNIT		MITSUBISHI	MDS-CH-CV-150	A5	(1)	(1)	(1)													C		
			2	D72MA011640	テングネキョウキユユニット	POWER SUPPLY UNIT		MITSUBISHI	MDS-CH-CV-220	A5																	G	
			3	D72MA011270	テングネキョウキユユニット	POWER SUPPLY UNIT		MITSUBISHI	MDS-CH-CV-260	A5					(1)	(1)	(1)										C	
			4	D72MA011780	スピンドルドライブユニット	SPINDLE DRIVE UNIT		MITSUBISHI	MDS-CH-SP-110	A4/17	(1)	(1)	(1)	(2)	(2)	(2)											C	
			5	D72MA012490	スピンドルドライブユニット	SPINDLE DRIVE UNIT		MITSUBISHI	MDS-CH-SPH-150	A6	(1)	(1)	(1)	(1)	(1)	(1)											C	
HA001E		PC	6	D72MA012060	サーボドライブユニット	SERVO DRIVE UNIT		MITSUBISHI	MDS-CH-V2-3510	A8	(1)	(1)	(1)	(1)	(1)	(1)											C	
			7	D72MA011620	サーボドライブユニット	SERVO DRIVE UNIT		MITSUBISHI	MDS-CH-V2-3520	A36	(1)	(1)	(1)	(1)	(1)	(1)											C	
			8	D72MA012020	サーボドライブユニット	SERVO DRIVE UNIT		MITSUBISHI	MDS-CH-V1-10	A19					(1)	(1)	(1)										C	
			9																									
			10	D72MA008430	1ジクサーボドライブ	SERVO DRIVER		MITSUBISHI	MR-J2-100CT	A33	1	1	1	1	1	1											C	
			11	D72MA008400	1ジクサーボドライブ	SERVO DRIVER		MITSUBISHI	MR-J2-40CT	A32	1	1	1	1	1	1											C	
			12																									
			13	D80MA008460	バッテリーユニット	BATTERY UNIT		MITSUBISHI	MDS-A-BT-6	A24	(1)	(1)	(1)	(1)	(1)	(1)											C	
			14																									
			15	D56TR001860	ファン	FAN		TOYO DENKI	UT650DG-TP	M6	1	1	1	1	1	1											C	
			16	D56TY001250	ファンガード	FAN GARD		TOYO DENKI	A-33E	M6	2	2	2	2	2	2												
			17																									
			18	R25TC002360	リミットスイッチ	LIMIT SWITCH		OMRON	D2D-2000	S01/50			2	2	2	2											D	
			19	D72MA008510	ケーブルクランプ	CABLE CLAMP		MITSUBISHI	CABLE CLAMP 2 POINT		(2)	(2)	(2)	(2)	(2)	(2)												
			20	43257170180	アースバー	EARHT BAR		MAZAK	270*20*5T	W1001	2	2	2	2	2	2												
			21																									
			22	D99Z560050	リンクバー	LINK BAR		TOMINAGA	145*15*3T		2	2	2	2	3	3												
			23	D99Z560030	リンクバー	LINK BAR		TOMINAGA	115*15*3T		2	2	2	2	2	2												
			24	D99Z560020	リンクバー	LINK BAR		TOMINAGA	85*15*3T						1	1	1											
			25																									
			26	D72MA011310	リアクトル	REACTOR		MITSUBISHI	CH-AL-30K	L1					(1)	(1)	(1)											
			27	D72MA011700	リアクトル	REACTOR		MITSUBISHI	CH-AL-18.5K	L1	(1)	(1)	(1)															
			28																									
			29	D50NW002190	DC電源	DC POWER SUPPLY		DENSEI	JWS600-24	GS1	1	1	1	1	1	1											C	
			30																									
			31	D59H6100370	ダクト	DUCT		KOWA	KD610 60*100*370		1	1	1	1	1	1												
			32	D59H4100370	ダクト	DUCT		KOWA	KD410 40*100*370		1	1	1	1	1	1												
			33																									
			34	D59KKP01620	シールドパック	SHIELD PACKING		KITAGAWA	HSG-120150SK (L=1620mm)				2			2												
			35	D59KKP00520	シールドパック	SHIELD PACKING		KITAGAWA	HSG-120150SK (L=520mm)				4			4												
			36	D59HJT01620	シールドテープ	SHIELD TAPE		NI SSEI	PT-RS-T15 (L=1620mm)				4			4												
			37	D59HJT00520	シールドテープ	SHIELD TAPE		NI SSEI	PT-RS-T15 (L=520mm)				8			8												
			38																									
			39	D82TW001150	LANアダプター	LAN ADAPTER		TOKAI BUSS	LOAS-LTA-EX+PLT		1	1	1	1	1	1												
			40																									

機種分類 : 3720 / INTEGEX 100Ⅲ

/ A1A / コントローラ°礼

変更NO	出図NO	識区	ユニットNO	ユニット仕様	対応組図	対応組図	対応組図	対応組図	対応組図	関連変番
HA004E		UC A	7372A100103	100Ⅲ SPEC. [JPN]						
HA004E		UC B	7372A100203	100Ⅲ SPEC. [YMC]						
HA005E		UC C	7372A100304	100Ⅲ SPEC. [YME]						
HA002E		UC D	7372A100402	100ⅢS SPEC. [JPN]						
HA002E		UC E	7372A100502	100ⅢS SPEC. [YMC]						
HA005E		UC F	7372A100603	100ⅢS SPEC. [YME]						

変更NO	出図NO	識認	NO	部品番号	部品和	PARTS-NAME	材質	メーカー名	型式	名称補助	A	B	C	D	E	F	G	H	J	K	L	M	N	P	Q	製コランク		
			1	D01FA054571	マグネティックコンタクト	MAGNETIC CONTACTOR		FUJI	SC-N1 AC100V 2a2b	KM4/5	2	2	2	2	2	2										D		
			2	D01FA060750	ターミナルカバー	TERMINAL COVER		FUJI	SZ-T22	KM4/5	2	2	2	2	2	2											D	
			3	D43ZZ001711	スパークキラー	SPARK KILLER		NISSIN	SQ11120TFL	Z24/25	2	2	2	2	2	2											D	
			4																									
			5	D01FA061010	マグネティックコンタクト	MAGNETIC CONTACTOR		FUJI	SC-4-1 AC100V 1a	KM7/8					2	2	2										D	
			6	D01FA061020	サブコンタクト	SUB CONTACT		FUJI	SZ-A02	KM7/8					2	2	2										D	
			7	D01FA057510	ターミナルカバー	TERMINAL COVER		FUJI	SZ-T3	KM7/8					2	2	2											
			8	D53FA005810	ターミナルカバー	TERMINAL COVER		FUJI	SZ-T6	KM7/8					2	2	2											
			9	D43ZZ001711	スパークキラー	SPARK KILLER		NISSIN	SQ11120TFL	Z21/22					2	2	2										D	
			10																									
			11	D65UB004850	PCB ハネ	PCB		UNION	YS-671	AP1	1	1	1	1	1	1											C	
			12	D3737196900	PCB カバー	PCB COVER		MAZAK		AP1					1													
			13	D72MA008970	NC ターミナルボード	NC TERMINAL BOARD		mitsubishi	HR353	A3	(1)	(1)	(1)	(1)	(1)	(1)											C	
			14	D80MA008351	NC ハブユニット	NC POWER SUPPLY		mitsubishi	PD25B	A2	(1)	(1)	(1)	(1)	(1)	(1)											C	
			15	D70HK005880	セーフティリレーユニット	SAFETY RELAY UNIT		HENIX	SRU-YM10	U2					1												C	
			16	01827148570	ボルト	BOLT		MAZAK	M4*100*18	AP1					6												C	
			17	D72MA008510	ケーブルクランプ	CABLE CLAMP		mitsubishi	CABLE CLAMP 2 POINT		(1)	(1)	(1)	(1)	(1)	(1)												
		YS	18	D56YG001530	アースバー	EARTH BAR		MAZAK	65*20*15	W1010	1	1	1	1	1	1												
			19																									
			20	D30NF002310	抵抗器	RESISTOR		NIHON TEIKO	24Ω/20W	R11/31	2	2	2	2	2	2											D	
			21	D44PJ001860	コンデンサ	CAPACITOR		ORIENTAL	CHI00CFAUL	C1/9	1	1	1	1	2	2											D	
			22	D70UB006780	オシロスコピー	THEMOMETER		UNION	YS-665-5	A50	1	1	1	1	1	1											C	
			23																									
			24	D65UB004830	リモートI/O	REMOTE I/O		UNION	YSJ670-16	AP24	1	1	1	1	1	1											C	
			25	D72MA008490	リモートI/Oカード	REMOTE I/O CARD		mitsubishi	HR371	AP24	(1)	(1)	(1)	(1)	(1)	(1)											C	
			26																									
			27	D59H6100740	ダクト	DUCT		KOWA	KD610 60*100*740		1	1	1	1	1	1												
			28	D59H2100315	ダクト	DUCT		KOWA	KD210 25*100*315		1	1	1	1	1	1												
			29	D59H2101090	ダクト	DUCT		KOWA	KD210 25*100*1090		1	1	1	1	1	1												
			30	D59H2100600	ダクト	DUCT		KOWA	KD210 25*100*600		4	4	4	4	4	4												
			31																									
			32	D59DAV40580	レール	REAL		TOYO GIKEN	DAV4 L=580		1	1	1	1	1	1												
			33	D59DAV40300	レール	REAL		TOYO GIKEN	DAV4 L=300		1	1	1	1	1	1												
			34	D59DAV40220	レール	REAL		TOYO GIKEN	DAV4 L=220		1	1	1	1	1	1												
			35																									
			36	D51MB009350	サーキットブレーカー	CIRCUIT PROTECTOR		MATSUSHITA	BAC212105 (10A)	QF4/74	2	2	2	2	2	2											D	
		YS	37	D51MB004530	サーキットブレーカー	CIRCUIT PROTECTOR		MATSUSHITA	BAC112155 (15A)	QF3	1	1	1	1	1	1											D	
			38	D51MB007500	サーキットブレーカー	CIRCUIT PROTECTOR		MATSUSHITA	BAC102105D (DC10A)	QF83/84	2	2	2	2	2	2											D	
			39	D51MB013510	サーキットブレーカー	CIRCUIT PROTECTOR		MATSUSHITA	BAC112105D (DC10A)	QF80/82	2	2	2	2	2	2											D	
			40	D51MB013520	サーキットブレーカー	CIRCUIT PROTECTOR		MATSUSHITA	BAC112155D (DC15A)	QF81	1	1	1	1	1	1											D	

変型NO	出図NO	識	認 NO	部品番号	部品和	PARTS-NAME	材質	メーカー名	型式	名称補助	A	B	C	D	E	F	G	H	J	K	L	M	N	P	Q	製コ	ラシ	
			YS	41D51M8006050	ターミナル 加ハ-	TERMINAL COVER		MATSUSHITA	BAC9001 (1SET)						8													
				42-																								
			YZ	43D53TD004410	ターミナルブロック	TERMINAL BLOCK		TOYO GIKEN	PTUL 20*70P	XT1		1	1	1	1	1	1											
				44-																								
			YZ	45D04TC000020	リレ-	RELAY		OMRON	G2A-432A AC100V 1a	KA47/48		1	1	2	2	2											B	
			YZ	46D04TC001890	ソケット	SOCKET		OMRON	PFY14A-E	KA47/48		1	1	2	2	2												
			YZ	47D04TC001180	ホルダ	HOLDER		OMRON	PYC-A2 G2A37	KA47/48		1	1	2	2	2												
				48D43ZZ001711	スパークキラー	SPARK KILLER		NISSIN	SQ11120TFL	KA47/48		1	1	2	2	2											D	
				49-																								
			YS	50D06TC000620	タイマ	TIMER		OMRON	H3Y-4 DC24V 0.1-5.0sec	KT3		1	1	1	1	1											C	
			YZ	51D04TC001890	ソケット	SOCKET		OMRON	PFY14A-E	KT3		1	1	1	1	1												
				52D04TC001190	ホルダ	HOLDER		OMRON	Y92H-3 H3Y 37	KT3		1	1	1	1	1												
			YS	53D34TA001540	ダイオード	DIODE		TOSHIBA	S5277G	KT3		1	1	1	1	1											D	
				54-																							D	
				55-																							D	
HA004E		iC	YS	56D04TC000100	リレ-	RELAY		OMRON	LY2 DC24V	KA35/67/15		3	3	3	2	2	2										B	
HA004E		iC	YS	57D04TC001900	ソケット	SOCKET		OMRON	PTF08A-E	KA35/67/15		3	3	3	2	2	2											
HA004E		iC	YS	58D04TC001170	ホルダ	HOLDER		OMRON	PYC-A1 LY237	KA35/67/15		3	3	3	2	2	2											
HA004E		iC	YS	59D34TA001540	ダイオード	DIODE		TOSHIBA	S5277G			3	3	3	2	2	2										D	
HA005E		PA	YS	60D06TC002020	TIMER RELAY	TIMER RELAY		OMRON	H3DE-W2 DC24V	KT21							1											
HA001E		PD		61D301G002380	抵抗	RESISTOR		IWAKI	15SHT 220Ω #187	R13																	D	
HA005E		PA		62D02VF007430	コンタクト	CONTACTOR		TELEMECA	CAD32BD(3a2b)	KA196																		
HA002E		PA		63D01FA054380	マグネティックスターター	MAGNETIC STARTER		FUJII	SW-03/2E 0.95-1.45A AC10	KM73		1	1	1													C	
				64-																								
HA002E		PA		65D01FA055090	ターミナルカバー	TERMINAL COVER		FUJII	SZ-T1	KM73																		
HA002E		PA		66D53FA003910	ターミナルカバー	TERMINAL COVER		FUJII	SZ-T12	KM73																		
HA002E		PA		67D01FA054480	ターミナルカバー	TERMINAL COVER		FUJII	SZ-JW1	KM73																		
HA002E		PA		68D43ZZ001700	スパークキラー	SPARK KILLER		NISSIN	SQ250503F	Z73		1	1	1													D	
HA002E		PA		69D43ZZ001711	スパークキラー	SPARK KILLER		NISSIN	SQ11120TFL	Z173		1	1	1													D	
				70-																								
				71D7137200010	コントロールケーブル	CONTROL CABLE		MAZAK	CABLE W1	制		1	1	1	1	1												
				72D7137200020	コントロールケーブル	CONTROL CABLE		MAZAK	CABLE W2	制		1	1	1	1	1												
				73-																								
				74D7137200160	コントロールケーブル	CONTROL CABLE		MAZAK	CABLE W16	制		1	1	1	1	1												
HA002E		iC		75D7137200202	コントロールケーブル	CONTROL CABLE		MAZAK	CABLE W20	制		1	1	1	1	1												
				76-																								
				77D7137200271	コントロールケーブル	CONTROL CABLE		MAZAK	CABLE W27	制		1	1	1	1	1												
HA001E		iC		78D7137200281	コントロールケーブル	CONTROL CABLE		MAZAK	CABLE W28	制		1	1	1	1	1												
HA001E		iC		79D71372A0280	コントロールケーブル	CONTROL CABLE		MAZAK	CABLE W28	制		1	1	1	1	1												
HA001E		iC		80D7137200291	コントロールケーブル	CONTROL CABLE		MAZAK	CABLE W29	制		1	1	1	1	1												

変更NO	出図NO	識認	NO	部品番号	部品和	PARTS-NAME	材質	メーカー名	型式	名称補助	A	B	C	D	E	F	G	H	J	K	L	M	N	P	Q	製コ	ランク	
			81	D7137200300	ハンナケーブル	CONTROL CABLE		MAZAK	CABLE W30	制	1	1	1	1	1	1												
			82	D7137200310	ハンナケーブル	CONTROL CABLE		MAZAK	CABLE W31	制	1	1	1	1	1	1												
HA001E		iC	83	D7137200321	ハンナケーブル	CONTROL CABLE		MAZAK	CABLE W32	制	1	1	1	1	1	1												
			84	D7137200330	ハンナケーブル	CONTROL CABLE		MAZAK	CABLE W33	制	1	1	1	1	1	1												
			85	-																								
			86	D7137200350	ハンナケーブル	CONTROL CABLE		MAZAK	CABLE W35	制	1	1	1	1	1	1												
HA001E		iC	87	D7137200361	ハンナケーブル	CONTROL CABLE		MAZAK	CABLE W36	制	1	1	1	1	1	1												
HA001E		iC	88	D7137200371	ハンナケーブル	CONTROL CABLE		MAZAK	CABLE W37	制	1	1	1	1	1	1												
			89	D7137200380	ハンナケーブル	CONTROL CABLE		MAZAK	CABLE W38	制	1	1	1	1	1	1												
			90	-																								
			91	D7137200430	ハンナケーブル	CONTROL CABLE		MAZAK	CABLE W43	制	1	1	1	1	1	1												
HA001E		iC	92	D7137200441	ハンナケーブル	CONTROL CABLE		MAZAK	CABLE W44	制	1	1	1	1	1	1												
			93	-																								
HA001E		PD	94	D7137201050	ハンナケーブル	CONTROL CABLE		MAZAK	CABLE W105	制																		
HA002E		iC	95	D7137201072	ハンナケーブル	CONTROL CABLE		MAZAK	CABLE W107	制	1	1	1	1	1	1												
HA002E		iC	96	D7137251072	ハンナケーブル	CONTROL CABLE		MAZAK	CABLE W107	制																		
HA004E		PA	97	D7137201201	ハンナケーブル	CONTROL CABLE		MAZAK	CABLE W120	制	1	1	1	1	1	1												
			98	-																								
HA001E		iC	99	D7137201591	ハンナケーブル	CONTROL CABLE		MAZAK	CABLE W159	制	1	1	1	1	1	1												
			100	-																								
HA001E		iC	101	D7137201701	ハンナケーブル	CONTROL CABLE		MAZAK	CABLE W170	制																		
HA001E		iC	102	D7137201711	ハンナケーブル	CONTROL CABLE		MAZAK	CABLE W171	制																		
			103	D7137201720	ハンナケーブル	CONTROL CABLE		MAZAK	CABLE W172	制																		
		PA	104	D71372A1720	ハンナケーブル	CONTROL CABLE		MAZAK	CABLE W172	制	1	1	1	1	1	1												
			105	D7137201730	ハンナケーブル	CONTROL CABLE		MAZAK	CABLE W173	制																		
		PA	106	D71372A1730	ハンナケーブル	CONTROL CABLE		MAZAK	CABLE W173	制	1	1	1	1	1	1												
			107	D7137201740	ハンナケーブル	CONTROL CABLE		MAZAK	CABLE W174	制	1	1	1	1	1	1												
			108	D7137201750	ハンナケーブル	CONTROL CABLE		MAZAK	CABLE W175	制	1	1	1	1	1	1												
			109	D7137201780	ハンナケーブル	CONTROL CABLE		MAZAK	CABLE W178	制																		
			110	-																								
			111	D7137201800	ハンナケーブル	CONTROL CABLE		MAZAK	CABLE W180	制																		
			112	D7137201860	ハンナケーブル	CONTROL CABLE		MAZAK	CABLE W186	制	1	1	1	1	1	1												
HA001E		iC	113	D7137201871	ハンナケーブル	CONTROL CABLE		MAZAK	CABLE W187	制	1	1	1	1	1	1												
			114	-																								
			115	D7137201920	ハンナケーブル	CONTROL CABLE		MAZAK	CABLE W192	制	1	1	1	1	1	1												
			116	D7137201930	ハンナケーブル	CONTROL CABLE		MAZAK	CABLE W193	制																		
			117	D7137201960	ハンナケーブル	CONTROL CABLE		MAZAK	CABLE W196	制	1	1	1	1	1	1												
			118	D7137201980	ハンナケーブル	CONTROL CABLE		MAZAK	CABLE W198	制	1	1	1	1	1	1												
			119	-																								
HA001E		iC	120	D7137258241	ハンナケーブル	CONTROL CABLE		MAZAK	CABLE W824	制																		

変更NO	出図NO	識 認 NO	部品番号	部品和	PARTS-NAME	材質	メーカー名	型式	名称補助	A	B	C	D	E	F	G	H	J	K	L	M	N	P	Q	製コ	ランク
			121-																							
HA001E		iC	122D7137208391	ハ'ソナイケーブ'ル	CONTROL CABLE		MAZAK	CABLE W839	制	1	1	1	1	1	1											
			123-																							
HA001E		iC	124D7137208411	ハ'ソナイケーブ'ル	CONTROL CABLE		MAZAK	CABLE W841	制	1	1	1	1	1	1											
			125D7137208470	ハ'ソナイケーブ'ル	CONTROL CABLE		MAZAK	CABLE W847	制	1	1	1	1	1	1											
HA002E		PA	126D7137278491	ハ'ソナイケーブ'ル	CONTROL CABLE		MAZAK	CABLE W849	制	1	1	1														
			127-																							
			128D7137208620	ハ'ソナイケーブ'ル	CONTROL CABLE		MAZAK	CABLE W862	制	1	1	1	1	1	1											
			129D7137208650	ハ'ソナイケーブ'ル	CONTROL CABLE		MAZAK	CABLE W865	制	1	1	1	1	1	1											
HA001E		iC	130D7137208661	ハ'ソナイケーブ'ル	CONTROL CABLE		MAZAK	CABLE W866	制	1	1	1														
HA001E		iC	131D7137258661	ハ'ソナイケーブ'ル	CONTROL CABLE		MAZAK	CABLE W866	制				1	1	1											
			132-																							
			133D7137208700	ハ'ソナイケーブ'ル	CONTROL CABLE		MAZAK	CABLE W870	制	1	1	1	1	1	1											
HA001E		iC	134D7137208711	ハ'ソナイケーブ'ル	CONTROL CABLE		MAZAK	CABLE W871	制	1	1	1	1	1	1											
			135D7137208720	ハ'ソナイケーブ'ル	CONTROL CABLE		MAZAK	CABLE W872	制	1	1	1	1	1	1											
			136D7137208730	ハ'ソナイケーブ'ル	CONTROL CABLE		MAZAK	CABLE W873	制	1	1	1	1	1	1											
HA001E		iC	137D7137208741	ハ'ソナイケーブ'ル	CONTROL CABLE		MAZAK	CABLE W874	制	1	1	1	1	1	1											
HA001E		iC	138D7137208761	ハ'ソナイケーブ'ル	CONTROL CABLE		MAZAK	CABLE W876	制	1	1	1	1	1	1											
HA001E		iC	139D7137278771	ハ'ソナイケーブ'ル	CONTROL CABLE		MAZAK	CABLE W877	制	1	1	1	1	1	1											
			140-																							
HA001E		iC	141D7137258821	ハ'ソナイケーブ'ル	CONTROL CABLE		MAZAK	CABLE W882	制				1	1	1											
HA005E		PA	142D7137200591	ハ'ソナイケーブ'ル	CONTROL CABLE		MAZAK	CABLE W59	制			1														

機種分類 : 3720 / INTEGEX 100Ⅲ

/ A1B / コントロール

変更NO	出図NO	識別区	ユニットNO	ユニット仕様	対応組図	対応組図	対応組図	対応組図	対応組図	関連変番
HA005E		UD A	7372A102102	100ⅢT SPEC. [JPN]						
HA005E		UD B	7372A102202	100ⅢT SPEC. [YMC]						
HA005E		UD C	7372A102302	100ⅢT SPEC. [YME]						
HA002E		UC D	7372A102402	100ⅢST SPEC. [JPN]						
HA002E		UC E	7372A102502	100ⅢST SPEC. [YMC]						
HA005E		UC F	7372A102603	100ⅢST SPEC. [YME]						

変更NO	出図NO	識 認 NO	部品番号	部品和	PARTS-NAME	材質	メーカー名	型式	名称補助	A	B	C	D	E	F	G	H	J	K	L	M	N	P	Q	製コ	ラシク
			1 D01FA054571	マグネティックカク	MAGNETIC CONTACTOR		FUJI	SC-N1 AC100V 2a2b	KM4/5				2	2	2										D	
			2 D01FA060750	ターミナルカバー	TERMINAL COVER		FUJI	SZ-122	KM4/5					2	2	2										
			3 D43ZZ001711	スパークキラー	SPARK KILLER		NISSIN	SG11120TFL	Z24/25				2	2	2	2										D
			4 -																							
			5 D01FA061010	マグネティックカク	MAGNETIC CONTACTOR		FUJI	SC-4-1 AC100V 1a	KM7/8				2	2	2	2										D
			6 D01FA061020	サブコンタクト	SUB CONTACT		FUJI	SZ-A02	KM7/8				2	2	2	2										D
			7 D01FA057510	ターミナルカバー	TERMINAL COVER		FUJI	SZ-T3	KM7/8					2	2	2										
			8 D53FA005810	ターミナルカバー	TERMINAL COVER		FUJI	SZ-T6	KM7/8					2	2	2										
			9 D43ZZ001711	スパークキラー	SPARK KILLER		NISSIN	SG11120TFL	Z21/22				2	2	2	2										D
			10 -																							
			11 D65UB004850	PCBカバー	PCB COVER		UNION	YS-671	AP1				1	1	1	1										C
			12 43737196900	PCBカバー	PCB COVER		MAZAK		AP1							1										
			13 D72MA008970	NCターミナルボード	NC TERMINAL BOARD		mitsubishi	HR353	A3				(1)	(1)	(1)											C
			14 D80MA008351	NCパワーサプライ	NC POWER SUPPLY		mitsubishi	PD25B	A2				(1)	(1)	(1)											C
			15 D70HK005880	セーフティリレーユニット	SAFETY RELAY UNIT		HENIX	SRU-YM10	U2							1										C
			16 01827148570	ボルト	BOLT		MAZAK	M4*100*18	AP1								6									
			17 D72MA008510	ケーブルクランプ	CABLE CLAMP		mitsubishi	CABLE CLAMP 2 POINT					(1)	(1)	(1)											
		YS	18 D56YC001530	アースバー	EARTH BAR		MAZAK	65*20*15	W1010				1	1	1	1										
			19 -																							
			20 D30NF002310	抵抗	RESISTOR		NIHON TEIKO	24Ω/20W	R11/31				2	2	2	2										D
			21 D44PJ001860	コンデンサ	CAPACITOR		ORIENTAL	CH100CFAL	C1/9				2	2	2	2										D
			22 D70UB006780	オムトケルメータ	THEWOMETER		UNION	YS-665-5	A50				1	1	1	1										C
			23 -																							
			24 D65UB004830	リモートI/O	REMOTE I/O		UNION	YSJ670-16	AP24				1	1	1	1										C
			25 D72MA008490	リモートI/Oカード	REMOTE I/O CARD		mitsubishi	HR371	AP24				(1)	(1)	(1)											C
			26 -																							
			27 D59H6100740	ダクト	DUCT		KOWA	KD610 60*100*740					1	1	1	1										
			28 D59H2100315	ダクト	DUCT		KOWA	KD210 25*100*315					1	1	1	1										
			29 D59H2101090	ダクト	DUCT		KOWA	KD210 25*100*1090					1	1	1	1										
			30 D59H2100600	ダクト	DUCT		KOWA	KD210 25*100*600					4	4	4	4										
			31 -																							
			32 D59DAV40580	レール	REAL		TOYO GIKEN	DAV4 L=580					1	1	1	1										
			33 D59DAV40300	レール	REAL		TOYO GIKEN	DAV4 L=300					1	1	1	1										
			34 D59DAV40220	レール	REAL		TOYO GIKEN	DAV4 L=220					1	1	1	1										
			35 -																							
			36 D51MB009350	サーキットプロテクタ	CIRCUIT PROTECTOR		MATSUSHITA	BAC212105 (10A)	QF4/74				2	2	2	2										D
		YS	37 D51MB004530	サーキットプロテクタ	CIRCUIT PROTECTOR		MATSUSHITA	BAC112155 (15A)	QF3				1	1	1	1										D
			38 D51MB007500	サーキットプロテクタ	CIRCUIT PROTECTOR		MATSUSHITA	BAC102105D (DC10A)	QF83/84				2	2	2	2										D
			39 D51MB013510	サーキットプロテクタ	CIRCUIT PROTECTOR		MATSUSHITA	BAC112105D (DC10A)	QF80/82				2	2	2	2										D
			40 D51MB013520	サーキットプロテクタ	CIRCUIT PROTECTOR		MATSUSHITA	BAC112155D (DC15A)	QF81				1	1	1	1										D

変更NO	出図NO	識	認	NO	部品番号	部品和	PARTS-NAME	材質	メーカー名	型式	名称補助	A	B	C	D	E	F	G	H	J	K	L	M	N	P	Q	製コラン		
			YS	41	D51MB006050	ターミナル 加ハ	TERMINAL COVER		MATSUSHITA	BAC9001 (1SET)							8	8											
			YZ	42	-																								
			YZ	43	D53TD004410	ターミナルブロック	TERMINAL BLOCK		TOYO GIKEN	PTUL 20*70P	XT1					1	1	1											
			YZ	44	-																								
			YZ	45	D04TG000020	リレー	RELAY		OMRON	G2A-432A AC100V 1a	KA47/48					2	2	2									B		
			YZ	46	D04TG001890	ソケット	SOCKET		OMRON	PYF14A-E	KA47/48					2	2	2											
			YZ	47	D04TG001180	ホルダ	HOLDER		OMRON	PYC-A2 G2A37	KA47/48					2	2	2											
				48	D43ZZ001711	スパークキラー	SPARK KILLER		NISSIN	SQ1120TFL	KA47/48					2	2	2									D		
			YS	50	D06TG000620	タイマ	TIMER		OMRON	H3Y-4 DC24V 0.1-5.0sec	KT3/13					2	2	2									C		
			YZ	51	D04TG001890	ソケット	SOCKET		OMRON	PYF14A-E	KT3/13					2	2	2											
				52	D04TG001190	ホルダ	HOLDER		OMRON	Y92H-3 H3Y 37	KT3/13					2	2	2											
			YS	53	D34TA001540	ダイオード	DIODE		TOSHIBA	S5277G	KT3/13					2	2	2									D		
			YS	54	D43MB000150	スパークキラー	SPARK KILLER		MATSUSHITA	ERZ-C14DK201	RV11					1	1	1									D		
			YS	55	-																								
002E			YS	56	D04TG000100	リレー	RELAY		OMRON	LY2 DC24V	KA35/67/15					3	3	3									B		
002E			YS	57	D04TG001900	ソケット	SOCKET		OMRON	PTF08A-E	KA35/67/15					3	3	3											
002E			YS	58	D04TG001170	ホルダ	HOLDER		OMRON	PYC-A1 LY237	KA35/67/15					3	3	3											
			YS	59	D34TA001540	ダイオード	DIODE		TOSHIBA	S5277G						3	3	3										D	
HA005E			PA	60	D06TG002020	TIMER RELAY	TIMER RELAY		OMRON	H3DE-W2 DC24V	KT21							1											
HA001E			PD	61	D30IG002380	抵抗	RESISTOR		IWAKI	15SHT 220Ω #187	R13																D		
HA005E			PA	62	D02VE007430	コンタクト	CONTACTOR		TELEMECA	CAD32BD (3a2b)	KA196																		
HA001E			iC	63	D01FA054380	マグネティックスターター	MAGNETIC STARTER		FUJI	SW-03/2E 0.95-1.45A AC10	KM73					1	1	1									C		
HA002E			PA	64	D01FA054440	マグネティックスターター	MAGNETIC STARTER		FUJI	SW-03/2E 5-8A AC100V 1a	KM73																		
				65	D01FA055090	ターミナルカバー	TERMINAL COVER		FUJI	SZ-T1	KM73																		
				66	D53FA003910	ターミナルカバー	TERMINAL COVER		FUJI	SZ-T12	KM73																		
				67	D01FA054480	ターミナルカバー	TERMINAL COVER		FUJI	SZ-JW1	KM73																		
				68	D43ZZ001700	スパークキラー	SPARK KILLER		NISSIN	SQ250503F	Z73					1	1	1										D	
				69	D43ZZ001711	スパークキラー	SPARK KILLER		NISSIN	SQ1120TFL	Z173					1	1	1										D	
				70	-																								
				71	D7137200010	パナイクケーブル	CONTROL CABLE		MAZAK	CABLE W1	制					1	1	1											
				72	D7137200020	パナイクケーブル	CONTROL CABLE		MAZAK	CABLE W2	制					1	1	1											
				73	-																								
				74	D7137200160	パナイクケーブル	CONTROL CABLE		MAZAK	CABLE W16	制					1	1	1											
HA002E			iC	75	D7137200202	パナイクケーブル	CONTROL CABLE		MAZAK	CABLE W20	制					1	1	1											
				76	-																								
HA001E			iC	77	D7137200271	パナイクケーブル	CONTROL CABLE		MAZAK	CABLE W27	制					1	1	1											
HA001E			iC	78	D7137200281	パナイクケーブル	CONTROL CABLE		MAZAK	CABLE W28	制					1	1	1											
			PA	79	D71372A0280	パナイクケーブル	CONTROL CABLE		MAZAK	CABLE W28	制					1	1	1											
HA001E			iC	80	D7137200291	パナイクケーブル	CONTROL CABLE		MAZAK	CABLE W29	制					1	1	1											

変更NO	出図NO	識 認	NO	部品番号	部品和	PARTS-NAME	材質	メーカー名	型式	A	B	C	D	E	F	G	H	J	K	L	M	N	P	Q	製コ	ラシク
				81	D7137200300	ハ'ソナイケー'ブル	CONTROL CABLE	MAZAK	CABLE W30				1	1	1											
HA001E		iC		82	D7137200310	ハ'ソナイケー'ブル	CONTROL CABLE	MAZAK	CABLE W31				1	1	1											
				83	D7137200321	ハ'ソナイケー'ブル	CONTROL CABLE	MAZAK	CABLE W32				1	1	1											
				84	D7137200330	ハ'ソナイケー'ブル	CONTROL CABLE	MAZAK	CABLE W33				1	1	1											
				85	-																					
HA001E		iC		86	D7137200350	ハ'ソナイケー'ブル	CONTROL CABLE	MAZAK	CABLE W35				1	1	1											
HA001E		iC		87	D7137200361	ハ'ソナイケー'ブル	CONTROL CABLE	MAZAK	CABLE W36				1	1	1											
				88	D7137200371	ハ'ソナイケー'ブル	CONTROL CABLE	MAZAK	CABLE W37				1	1	1											
				89	D7137200380	ハ'ソナイケー'ブル	CONTROL CABLE	MAZAK	CABLE W38				1	1	1											
				90	-																					
HA001E		iC		91	D7137200430	ハ'ソナイケー'ブル	CONTROL CABLE	MAZAK	CABLE W43				1	1	1											
				92	D7137200441	ハ'ソナイケー'ブル	CONTROL CABLE	MAZAK	CABLE W44				1	1	1											
				93	-																					
HA001E		PD		94	D7137201050	ハ'ソナイケー'ブル	CONTROL CABLE	MAZAK	CABLE W105																	
HA002E		iC		95	D7137201072	ハ'ソナイケー'ブル	CONTROL CABLE	MAZAK	CABLE W107																	
HA002E		iC		96	D7137251072	ハ'ソナイケー'ブル	CONTROL CABLE	MAZAK	CABLE W107				1	1	1											
HA001E		iC		97	D7137201200	ハ'ソナイケー'ブル	CONTROL CABLE	MAZAK	CABLE W120				1	1	1											
				98	-																					
HA001E		iC		99	D7137201591	ハ'ソナイケー'ブル	CONTROL CABLE	MAZAK	CABLE W159				1	1	1											
				100	-																					
HA001E		iC		101	D7137201701	ハ'ソナイケー'ブル	CONTROL CABLE	MAZAK	CABLE W170																	
HA001E		iC		102	D7137201711	ハ'ソナイケー'ブル	CONTROL CABLE	MAZAK	CABLE W171																	
				103	D7137201720	ハ'ソナイケー'ブル	CONTROL CABLE	MAZAK	CABLE W172																	
		PA		104	D71372A1720	ハ'ソナイケー'ブル	CONTROL CABLE	MAZAK	CABLE W172				1	1	1											
		PA		105	D7137201730	ハ'ソナイケー'ブル	CONTROL CABLE	MAZAK	CABLE W173																	
				106	D71372A1730	ハ'ソナイケー'ブル	CONTROL CABLE	MAZAK	CABLE W173				1	1	1											
				107	D7137201740	ハ'ソナイケー'ブル	CONTROL CABLE	MAZAK	CABLE W174				1	1	1											
				108	D7137201750	ハ'ソナイケー'ブル	CONTROL CABLE	MAZAK	CABLE W175				1	1	1											
				109	D7137201780	ハ'ソナイケー'ブル	CONTROL CABLE	MAZAK	CABLE W178																	
				110	-																					
				111	D7137201800	ハ'ソナイケー'ブル	CONTROL CABLE	MAZAK	CABLE W180																	
				112	D7137201860	ハ'ソナイケー'ブル	CONTROL CABLE	MAZAK	CABLE W186				1	1	1											
HA001E		iC		113	D7137201871	ハ'ソナイケー'ブル	CONTROL CABLE	MAZAK	CABLE W187				1	1	1											
				114	-																					
				115	D7137201920	ハ'ソナイケー'ブル	CONTROL CABLE	MAZAK	CABLE W192				1	1	1											
				116	D7137201930	ハ'ソナイケー'ブル	CONTROL CABLE	MAZAK	CABLE W193				1	1	1											
				117	D7137201960	ハ'ソナイケー'ブル	CONTROL CABLE	MAZAK	CABLE W196				1	1	1											
				118	D7137201980	ハ'ソナイケー'ブル	CONTROL CABLE	MAZAK	CABLE W198				1	1	1											
				119	-																					
HA001E		iC		120	D7137258241	ハ'ソナイケー'ブル	CONTROL CABLE	MAZAK	CABLE W824				1	1	1											

変更NO	出図NO	識 認	NO	部品番号	部品和	PARTS-NAME	材質	メーカー名	型式	名称補助	A	B	C	D	E	F	G	H	J	K	L	M	N	P	Q	製コラン
			121-																							
HA001E		iC	122D	137208391	ハンタイゾール	CONTROL CABLE		MAZAK	CABLE W839	制				1	1	1										
			123-																							
HA001E		iC	124D	137208411	ハンタイゾール	CONTROL CABLE		MAZAK	CABLE W841	制				1	1	1										
			125D	137208470	ハンタイゾール	CONTROL CABLE		MAZAK	CABLE W847	制				1	1	1										
HA001E		iC	126D	137278491	ハンタイゾール	CONTROL CABLE		MAZAK	CABLE W849	制				1	1	1										
			127-																							
			128D	137208620	ハンタイゾール	CONTROL CABLE		MAZAK	CABLE W862	制				1	1	1										
			129D	137208650	ハンタイゾール	CONTROL CABLE		MAZAK	CABLE W865	制				1	1	1										
HA001E		iC	130D	137208661	ハンタイゾール	CONTROL CABLE		MAZAK	CABLE W866	制				1	1	1										
HA001E		iC	131D	137258661	ハンタイゾール	CONTROL CABLE		MAZAK	CABLE W866	制				1	1	1										
			132-																							
			133D	137208700	ハンタイゾール	CONTROL CABLE		MAZAK	CABLE W870	制				1	1	1										
HA001E		iC	134D	137208711	ハンタイゾール	CONTROL CABLE		MAZAK	CABLE W871	制				1	1	1										
			135D	137208720	ハンタイゾール	CONTROL CABLE		MAZAK	CABLE W872	制				1	1	1										
			136D	137208730	ハンタイゾール	CONTROL CABLE		MAZAK	CABLE W873	制				1	1	1										
HA001E		iC	137D	137208741	ハンタイゾール	CONTROL CABLE		MAZAK	CABLE W874	制				1	1	1										
HA001E		iC	138D	137208761	ハンタイゾール	CONTROL CABLE		MAZAK	CABLE W876	制				1	1	1										
HA001E		iC	139D	137278771	ハンタイゾール	CONTROL CABLE		MAZAK	CABLE W877	制				1	1	1										
			140-																							
HA001E		iC	141D	137258821	ハンタイゾール	CONTROL CABLE		MAZAK	CABLE W882	制				1	1	1										
			142-																							

機種分類 : 3720 / INTEGEX 100III

/ A2A / ハ°ワ-ハ°ネ

変更NO	出図NO	識区	ユニットNO	ユニット仕様	対応組図	対応組図	対応組図	対応組図	対応組図	関連変番
HA002E		UC A	7372A200102	100III SPEC. [JPN]						
HA002E		UC B	7372A200202	100III SPEC. [YMC]						
HA005E		UC C	7372A200302	100III SPEC. [YME]						
HA002E		UC D	7372A200402	100III SPEC. [JPN]						
HA002E		UC E	7372A200502	100III SPEC. [YMC]						
HA005E		UC F	7372A200602	100III SPEC. [YME]						

変更NO	出図NO	識 認 NO	部品番号	部品和	PARTS-NAME	材質	メーカー名	型式	名称補助	A	B	C	D	E	F	G	H	J	K	L	M	N	P	Q	製コヲク
			1 D51FA013310	ノーフューズブレカ	NO FUSE BRAKER		FUJI	EA53B/50A	QF70	1	1	1													D
			2 D51FA013320	ノーフューズブレカ	NO FUSE BRAKER		FUJI	EA103B/75A	QF70				1	1	1										D
			3 D51FA007810	ターミナルカバー	TERMINAL COVER		FUJI	BZ-TS20B-3	QF70	1	1	1	1	1	1										
			4 -																						
			5 D51FA004540	ノーフューズブレカ	NO FUSE BRAKER		FUJI	EA33/10A	QF72	1	1	1	1	1	1										D
			6 D51FA007820	ターミナルカバー	TERMINAL COVER		FUJI	BZ-TB10B-503	QF72	1	1	1	1	1	1										
			7 -																						
HA002E		PC	8 D51FA006480	ノーフューズブレカ	NO FUSE BRAKER		FUJI	EA33/20A W	QF5/13/18	3	3	3	2	2	2										D
HA002E		PC	9 D51FA006450	ノーフューズブレカ	NO FUSE BRAKER		FUJI	EA33/20A	QF2	1	1	1	1	1	1										D
HA002E		PC	10 D51FA007400	ターミナルカバー	TERMINAL COVER		FUJI	BZ-TB10B-303	QF2/13/18			4	4	3	3										
			11 -																						
			12 D01FA061010	マグネチックコンタクト	MAGNETIC CONTACTOR		FUJI	SC-4-1 AC100V 1a	KM1/2	2	2	2	2	2	2										D
			13 D01FA061020	サブコンタクト	SUB CONTACT		FUJI	SZ-A02	KM1/2	2	2	2	2	2	2										D
			14 D01FA057510	ターミナルカバー	TERMINAL COVER		FUJI	SZ-T3	KM1/2	2	2	2	2	2	2										
			15 D53FA005810	ターミナルカバー	TERMINAL COVER		FUJI	SZ-T6	KM1/2	2	2	2	2	2	2										
			16 D43ZZ001711	スパークキラー	SPARK KILLER		NISSIN	S01120TFL	Z21/22	2	2	2	2	2	2										D
			17 -																						
			18 D01FA060711	マグネチックコンタクト	MAGNETIC CONTACTOR		FUJI	SC-N2 AC400V 2a2b	KM21			1													D
			19 D01FA060750	ターミナルカバー	TERMINAL COVER		FUJI	SZ-T22	KM21			1													
			20 D01FA060561	マグネチックコンタクト	MAGNETIC CONTACTOR		FUJI	SC-N2S AC400V 2a2b	KM21						1										D
			21 D01FA060760	ターミナルカバー	TERMINAL COVER		FUJI	SZ-T23	KM21						1										
			22 D43PA000140	スパークキラー	SPARK KILLER		OKAYA	ORH-10680	Z1			1			1										D
			23 -																						
HA001E		iC	24 D01FA060120	マグネチックコンタクト	MAGNETIC CONTACTOR		FUJI	SC-4-0 AC200V 1b	KM32			1			1										D
			25 D01FA057510	ターミナルカバー	TERMINAL COVER		FUJI	SZ-T3	KM32			1			1										
			26 D43ZZ001770	スパークキラー	SPARK KILLER		NISSIN	S021120TFL	Z132			1			1										D
			27 -																						
			28 D01FA054540	マグネチックコンタクト	MAGNETIC CONTACTOR		FUJI	SC-03 AC100V 1b	KM100			1			1										D
			29 D01FA055090	ターミナルカバー	TERMINAL COVER		FUJI	SZ-T1	KM100			1			1										
HA001E		PD	30 D01FA059230	サブコンタクト	SUB CONTACT		FUJI	SZ-A20	KM100						1										D
HA001E		PD	31 D53FA005810	ターミナルカバー	TERMINAL COVER		FUJI	SZ-T6	KM100																D
			32 D43ZZ001711	スパークキラー	SPARK KILLER		NISSIN	S01120TFL	Z100			1			1										D
			33 -																						
			34 D01FA054450	マグネチックスターター	MAGNETIC STARTER		FUJI	SW-03/2E 6-9A AC100V 1a	KM11	1	1	1	1	1	1										C
			35 D01FA054440	マグネチックスターター	MAGNETIC STARTER		FUJI	SW-03/2E 5-6A AC100V 1a	KM13	1	1	1	1	1	1										C
			36 D01FA054350	マグネチックスターター	MAGNETIC STARTER		FUJI	SW-03/2E 0.48-0.72A AC10	KM14	1	1	1	1	1	1										C
			37 -																						
			38 D01FA055090	ターミナルカバー	TERMINAL COVER		FUJI	SZ-T1	KM11/13/14			3			3										
			39 D53FA003910	ターミナルカバー	TERMINAL COVER		FUJI	SZ-T12	KM11/13/14			3			3										
			40 D01FA054480	ターミナルカバー	TERMINAL COVER		FUJI	SZ-JW1	KM11/13/14			3			3										

変更NO	出図NO	識 認 NO	部品番号	部品和	PARTS-NAME	材質	メーカ名	型式	名称補助	A	B	C	D	E	F	G	H	J	K	L	M	N	P	Q	製コ	ラシク	
			41 D43ZZ001700	スパークキラー	SPARK KILLER		NISSIN	SQ250603F	Z11/13/14	3	3	3	3	3	3											D	
			42 D43ZZ001711	スパークキラー	SPARK KILLER		NISSIN	SQ11120TFL		4	4	4	4	4	4												
			43 D59H6100670	ダクト	DUCT		KOWA	KD610 60*100*670		1	1	1	1	1	1												
			44 D59H2100320	ダクト	DUCT		KOWA	KD210 25*100*320		3	3	3	3	3	3												
			45 -																								
			46 D59DAV40270	レール	REAL		TOYO GIKEN	DAV4 L=270		3	3	3	2	2	2												
			47 D59DAV40240	レール	REAL		TOYO GIKEN	DAV4 L=240					1	1	1												
			48 D59DAV40320	レール	REAL		TOYO GIKEN	DAV4 L=320		1	1	1	1	1	1												
HA001E		PA	49 D53TD005380	ターミナルブロック	TERMINAL BLOCK		TOYO GIKEN	PTUL 20*3P	XT3	1	1	1	1	1	1												
			50 -																								
HA001E		iC	51 D7137200251	ハンダイブ	CONTROL CABLE		MAZAK	CABLE W25	制	1	1	1	1	1	1												
			52 -																								
			53 D7137201000	ハンダイブ	CONTROL CABLE		MAZAK	CABLE W100	制	1	1	1	1	1	1												
			54 D7137201010	ハンダイブ	CONTROL CABLE		MAZAK	CABLE W101	制																		
			55 D7137201020	ハンダイブ	CONTROL CABLE		MAZAK	CABLE W102	制	1	1	1	1	1	1												
			56 -																								
			57 D7137208200	ハンダイブ	CONTROL CABLE		MAZAK	CABLE W820	制																		
			58 D7137258200	ハンダイブ	CONTROL CABLE		MAZAK	CABLE W820	制																		
HA001E		iC	59 D7137208211	ハンダイブ	CONTROL CABLE		MAZAK	CABLE W821	制	1	1	1	1	1	1												
			60 -																								
HA001E		iC	61 D7137208371	ハンダイブ	CONTROL CABLE		MAZAK	CABLE W837	制																		
			62 D71372A8370	ハンダイブ	CONTROL CABLE		MAZAK	CABLE W837	制	1	1	1	1	1	1												
			63 -																								
HA001E		iC	64 D7137208401	ハンダイブ	CONTROL CABLE		MAZAK	CABLE W840	制	1	1	1	1	1	1												
HA001E		iC	65 D7137208421	ハンダイブ	CONTROL CABLE		MAZAK	CABLE W842	制	1	1	1	1	1	1												
HA001E		iC	66 D7137208461	ハンダイブ	CONTROL CABLE		MAZAK	CABLE W846	制	1	1	1	1	1	1												
			67 D7137208480	ハンダイブ	CONTROL CABLE		MAZAK	CABLE W848	制	1	1	1	1	1	1												
			68 -																								
			69 D7137208500	ハンダイブ	CONTROL CABLE		MAZAK	CABLE W850	制	1	1	1	1	1	1												
HA002E		PA	70 D7137208511	ハンダイブ	CONTROL CABLE		MAZAK	CABLE W851	制	1	1	1	1	1	1												
HA001E		iC	71 D7137208571	ハンダイブ	CONTROL CABLE		MAZAK	CABLE W857	制	1	1	1	1	1	1												
			72 -																								
			73 D7137208600	ハンダイブ	CONTROL CABLE		MAZAK	CABLE W860	制	1	1	1	1	1	1												
HA001E		iC	74 D7137208671	ハンダイブ	CONTROL CABLE		MAZAK	CABLE W867	制																		
			75 -																								
HA005E		iC	76 D7137208802	ハンダイブ	CONTROL CABLE		MAZAK	CABLE W880	制																		
			77 -																								
HA002E		PC	78 D7137208931	ハンダイブ	CONTROL CABLE		MAZAK	CABLE W893	制	1	1	1	1	1	1												
			79 -																								
			80 -																								

機種分類 : 3720 / INTEGEX 100III

/ A2B / ハワーパ[°]祢

変更NO	出図NO	識区	ユニットNO	ユニット仕様	対応組図	対応組図	対応組図	対応組図	対応組図	関連変番
HA005E		UD A	7372A202102	100III T SPEC. [JPN]						
HA005E		UD B	7372A202202	100III T SPEC. [YMC]						
HA005E		UD C	7372A202302	100III T SPEC. [YME]						
HA002E		UC D	7372A202402	100III ST SPEC. [JPN]						
HA002E		UC E	7372A202502	100III ST SPEC. [YMC]						
HA005E		UC F	7372A202603	100III ST SPEC. [YME]						

変更NO	出図NO	織 認 NO	部品番号	部品和	PARTS-NAME	材質	メーカー名	型式	名称補助	A	B	C	D	E	F	G	H	J	K	L	M	N	P	Q	製コラシ	
			1D51FA013310	ノ-フェ-ス'ﾌﾞ-レ-カ	NO FUSE BRAKER		FUJI	EA53B/50A	QF70																D	
			2D51FA013320	ノ-フェ-ス'ﾌﾞ-レ-カ	NO FUSE BRAKER		FUJI	EA103B/75A	QF70				1	1	1											D
			3D51FA007810	ターミナルカバー	TERMINAL COVER		FUJI	BZ-TS20B-3	QF70					1	1											
			4-																							
			5D51FA004540	ノ-フェ-ス'ﾌﾞ-レ-カ	NO FUSE BRAKER		FUJI	EA33/10A	QF72				1	1	1											D
			6D51FA007820	ターミナルカバー	TERMINAL COVER		FUJI	BZ-TB10B-503	QF72				1	1	1											
			7-																							
			8D51FA006480	ノ-フェ-ス'ﾌﾞ-レ-カ	NO FUSE BRAKER		FUJI	EA33/20A W	QF5/13/18				3	3	3											D
			9D51FA006450	ノ-フェ-ス'ﾌﾞ-レ-カ	NO FUSE BRAKER		FUJI	EA33/20A	QF2				1	1	1											D
	002E		10D51FA007400	ターミナルカバー	TERMINAL COVER		FUJI	BZ-TB10B-303	QF2/13/18				4	4	4											
			11-																							
			12D01FA061010	マグネティックコンタクト	MAGNETIC CONTACTOR		FUJI	SC-4-1 AC100V 1a	KM1/2				2	2	2											D
			13D01FA061020	サブコンタクト	SUB CONTACT		FUJI	SZ-A02	KM1/2				2	2	2											D
			14D01FA057510	ターミナルカバー	TERMINAL COVER		FUJI	SZ-T3	KM1/2				2	2	2											
			15D53FA005810	ターミナルカバー	TERMINAL COVER		FUJI	SZ-T6	KM1/2				2	2	2											
			16D43ZZ001711	スパークキラー	SPARK KILLER		NISSIN	SQ11120TFL	Z21/22				2	2	2											D
			17-																							
			18D01FA060711	マグネティックコンタクト	MAGNETIC CONTACTOR		FUJI	SC-N2 AC400V 2a2b	KM21																	D
			19D01FA060750	ターミナルカバー	TERMINAL COVER		FUJI	SZ-T22	KM21																	
			20D01FA060561	マグネティックコンタクト	MAGNETIC CONTACTOR		FUJI	SC-N2S AC400V 2a2b	KM21					1	1	1										D
			21D01FA060760	ターミナルカバー	TERMINAL COVER		FUJI	SZ-T23	KM21					1	1	1										
			22D43PA000140	スパークキラー	SPARK KILLER		OKAYA	GRH-10680	Z1																	D
HA002E		PA	23D01FA059131	マグネティックコンタクト	MAGNETIC CONTACTOR		FUJI	SC-N1 AC200V 2A2B	KM32																	
HA002E		iC	24D01FA060120	マグネティックコンタクト	MAGNETIC CONTACTOR		FUJI	SC-4-1 AC200V 1b	KM32					1	1	1										D
			25D01FA057510	ターミナルカバー	TERMINAL COVER		FUJI	SZ-T3	KM32					1	1	1										
			26D43ZZ001770	スパークキラー	SPARK KILLER		NISSIN	SQ21120TFL	Z132																	D
HA002E		PA	27D01FA060750	ターミナルカバー	TERMINAL COVER		FUJI	SZ-T22	KM32																	
			28D01FA054540	マグネティックコンタクト	MAGNETIC CONTACTOR		FUJI	SC-03 AC100V 1b	KM100					1	1	1										D
			29D01FA055090	ターミナルカバー	TERMINAL COVER		FUJI	SZ-T1	KM100					1	1	1										
HA001E		PD	30D01FA059230	サブコンタクト	SUB CONTACT		FUJI	SZ-A20	KM100																	D
HA001E		PD	31D53FA005810	ターミナルカバー	TERMINAL COVER		FUJI	SZ-T6	KM100																	D
			32D43ZZ001711	スパークキラー	SPARK KILLER		NISSIN	SQ11120TFL	Z100																	D
			33-																							
			34D01FA054450	マグネティックスタート	MAGNETIC STARTET		FUJI	SW-03/2E 6-9A AC100V 1a	KM11				1	1	1											C
			35D01FA054440	マグネティックスタート	MAGNETIC STARTET		FUJI	SW-03/2E 5-8A AC100V 1a	KM13				1	1	1											C
			36D01FA054350	マグネティックスタート	MAGNETIC STARTET		FUJI	SW-03/2E 0.48-0.72A AC10	KM14				1	1	1											C
			37-																							
			38D01FA055090	ターミナルカバー	TERMINAL COVER		FUJI	SZ-T1	KM11/13/14						3											
			39D53FA003910	ターミナルカバー	TERMINAL COVER		FUJI	SZ-T12	KM11/13/14						3											
			40D01FA054480	ターミナルカバー	TERMINAL COVER		FUJI	SZ-JW1	KM11/13/14						3											

変更NO	出図NO	識 認	NO	部品番号	部品和	PARTS-NAME	材質	メーカー名	型式	名称補助	A	B	C	D	E	F	G	H	J	K	L	M	N	P	Q	製 コ ランク
	002E		41	D43ZZ001700	スパークキラー	SPARK KILLER		MISSIN	SQ250503F	Z11/13/14					3	3	3									D
			42	D43ZZ001711	スパークキラー	SPARK KILLER		MISSIN	SQ11201FL						3	3	3									
			43	D59H6100670	ダクト	DUCT		KOWA	KD610 60*100*670						1	1	1									
			44	D59H2100320	ダクト	DUCT		KOWA	KD210 25*100*320						3	3	3									
			45	-																						
			46	D59DAV40270	ケーブル	REAL		TOYO GIKEN	DAV4 L=270						2	2	2									
			47	D59DAV40240	ケーブル	REAL		TOYO GIKEN	DAV4 L=240						1	1	1									
			48	D59DAV40320	ケーブル	REAL		TOYO GIKEN	DAV4 L=320						1	1	1									
HA001E		PA	49	D531D005380	ターミナルブロック	TERMINAL BLOCK		TOYO GIKEN	PTUL 20*3P	XT3				1	1	1										
			50	-																						
HA001E		iC	51	D7137200251	ケーブル	CONTROL CABLE		MAZAK	CABLE W25					1	1	1										
			52	-																						
			53	D7137201000	ケーブル	CONTROL CABLE		MAZAK	CABLE W100						1	1	1									
			54	D7137201010	ケーブル	CONTROL CABLE		MAZAK	CABLE W101						1	1	1									
			55	D7137201020	ケーブル	CONTROL CABLE		MAZAK	CABLE W102						1	1	1									
			56	-																						
			57	D7137208200	ケーブル	CONTROL CABLE		MAZAK	CABLE W820																	
			58	D7137258200	ケーブル	CONTROL CABLE		MAZAK	CABLE W820						1											
HA001E		iC	59	D7137208211	ケーブル	CONTROL CABLE		MAZAK	CABLE W821					1	1	1										
			60	-																						
HA001E		iC	61	D7137208371	ケーブル	CONTROL CABLE		MAZAK	CABLE W837						1											
			62	D71372A8370	ケーブル	CONTROL CABLE		MAZAK	CABLE W837						1	1										
			63	-																						
HA001E		iC	64	D7137208401	ケーブル	CONTROL CABLE		MAZAK	CABLE W840						1	1	1									
HA001E		iC	65	D7137208421	ケーブル	CONTROL CABLE		MAZAK	CABLE W842						1	1	1									
HA001E		iC	66	D7137208461	ケーブル	CONTROL CABLE		MAZAK	CABLE W846						1	1	1									
			67	D7137208480	ケーブル	CONTROL CABLE		MAZAK	CABLE W848						1	1	1									
			68	-																						
			69	D7137208500	ケーブル	CONTROL CABLE		MAZAK	CABLE W850						1	1	1									
HA001E		iC	70	D7137208511	ケーブル	CONTROL CABLE		MAZAK	CABLE W851						1	1	1									
HA001E		iC	71	D7137208571	ケーブル	CONTROL CABLE		MAZAK	CABLE W857						1	1	1									
			72	-																						
			73	D7137208600	ケーブル	CONTROL CABLE		MAZAK	CABLE W860						1	1	1									
HA001E		iC	74	D7137208671	ケーブル	CONTROL CABLE		MAZAK	CABLE W867						1											
			75	-																						
HA005E		iC	76	D7137208802	ケーブル	CONTROL CABLE		MAZAK	CABLE W880						1											
			77	-																						
HA002E		PC	78	D7137208931	ケーブル	CONTROL CABLE		MAZAK	CABLE W893						1											
			79	-																						
			80	-																						

機種分類 : 3720 / INTEGEX 100Ⅲ

/ A4A / CONTROL UNIT CABLE

変更NO	出図NO	識区	ユニットNO	ユニット仕様	対応組図	対応組図	対応組図	対応組図	対応組図	関連変番
HA005E		UC A	7372A400103	100Ⅲ SPEC. [JPN]						
HA005E		UC B	7372A400203	100Ⅲ SPEC. [YMC]						
HA005E		UC C	7372A400303	100Ⅲ SPEC. [YME]						
HA005E		UC D	7372A400403	100ⅢS SPEC. [JPN]						
HA005E		UC E	7372A400503	100ⅢS SPEC. [YMC]						
HA005E		UC F	7372A400603	100ⅢS SPEC. [YME]						

変更NO	出図NO	識 認	NO	部品番号	部品和	PARTS-NAME	材質	メーカー名	型式	名称補助	A	B	C	D	E	F	G	H	J	K	L	M	N	P	Q	製コラン
				1D82ZZ000600	LAN ケーブル	LAN CABLE		MELCO	ETP-5M		1	1	1	1	1	1										
				2-																						
				3D713720060	ハンダイブール	CONTROL CABLE		MAZAK	CABLE W6	制	1	1	1	1	1	1										
				4D713720070	ハンダイブール	CONTROL CABLE		MAZAK	CABLE W7	制	1	1	1	1	1	1										
				5D713720080	ハンダイブール	CONTROL CABLE		MAZAK	CABLE W8	制																
				6-																						
				7D7137200260	ハンダイブール	CONTROL CABLE		MAZAK	CABLE W26	制	1	1	1	1	1	1										
				8-																						
				9D7137200340	ハンダイブール	CONTROL CABLE		MAZAK	CABLE W34	制	1	1	1	1	1	1										
				10D7137200390	ハンダイブール	CONTROL CABLE		MAZAK	CABLE W39	制	1	1	1	1	1	1										
				11D7137270390	ハンダイブール	CONTROL CABLE		MAZAK	CABLE W39	制																
				12-																						
HA001E		iC		13D7137200401	ハンダイブール	CONTROL CABLE		MAZAK	CABLE W40	制	1	1	1	1	1	1										
HA001E		iC		14D7137270401	ハンダイブール	CONTROL CABLE		MAZAK	CABLE W40	制																
HA002E		iC		15D7137200421	ハンダイブール	CONTROL CABLE		MAZAK	CABLE W42	制	1	1	1	1	1	1										
HA001E		iC		16D7137270421	ハンダイブール	CONTROL CABLE		MAZAK	CABLE W42	制																
				17-																						
HA001E		iC		18D7137201401	ハンダイブール	CONTROL CABLE		MAZAK	CABLE W140	制	1	1	1	1	1	1										
HA002E		PC		19D7137201431	ハンダイブール	CONTROL CABLE		MAZAK	CABLE W143	制	1	1	1	1	1	1										
				20D7137201440	ハンダイブール	CONTROL CABLE		MAZAK	CABLE W144	制	1	1	1	1	1	1										
HA001E		PD		21D7137271440	ハンダイブール	CONTROL CABLE		MAZAK	CABLE W144	制																
				22-																						
HA001E		iC		23D7137201501	ハンダイブール	CONTROL CABLE		MAZAK	CABLE W150	制	1	1	1	1	1	1										
HA001E		iC		24D7137251501	ハンダイブール	CONTROL CABLE		MAZAK	CABLE W150	制																
HA001E		iC		25D7137271511	ハンダイブール	CONTROL CABLE		MAZAK	CABLE W151	制																
				26D7137201520	ハンダイブール	CONTROL CABLE		MAZAK	CABLE W152	制	1	1	1	1	1	1										
				27D7137271520	ハンダイブール	CONTROL CABLE		MAZAK	CABLE W152	制																
				28D7137201530	ハンダイブール	CONTROL CABLE		MAZAK	CABLE W153	制	1	1	1	1	1	1										
HA001E		iC		29D7137201541	ハンダイブール	CONTROL CABLE		MAZAK	CABLE W154	制	1	1	1	1	1	1										
HA001E		iC		30D7137271551	ハンダイブール	CONTROL CABLE		MAZAK	CABLE W155	制																
				31D7137201560	ハンダイブール	CONTROL CABLE		MAZAK	CABLE W156	制	1	1	1	1	1	1										
				32D7137271570	ハンダイブール	CONTROL CABLE		MAZAK	CABLE W157	制																
				33D7137271580	ハンダイブール	CONTROL CABLE		MAZAK	CABLE W158	制																
				34-																						
HA001E		iC		35D7137201601	ハンダイブール	CONTROL CABLE		MAZAK	CABLE W160	制	1	1	1	1	1	1										
HA001E		iC		36D7137271601	ハンダイブール	CONTROL CABLE		MAZAK	CABLE W160	制																
				37D7137201610	ハンダイブール	CONTROL CABLE		MAZAK	CABLE W161	制	1	1	1	1	1	1										
				38D7137271610	ハンダイブール	CONTROL CABLE		MAZAK	CABLE W161	制																
				39D7137201630	ハンダイブール	CONTROL CABLE		MAZAK	CABLE W163	制	1	1	1	1	1	1										
				40D7137271630	ハンダイブール	CONTROL CABLE		MAZAK	CABLE W163	制																

変型NO	出図NO	識認	NO	部品番号	部品和	PARTS-NAME	材質	メーカー名	型式	名称補助	A	B	C	D	E	F	G	H	J	K	L	M	N	P	Q	製コ	ラシ
HA001E		PA	41	D7137201640	ハ`ンナイケーブ`ル	CONTROL CABLE		MAZAK	CABLE W164	制	1	1	1	1	1	1											
HA001E		PA	42	D7137201650	ハ`ンナイケーブ`ル	CONTROL CABLE		MAZAK	CABLE W164	制	1	1	1	1	1	1											
HA001E		iC	43					MAZAK	CABLE W176	制																	
			44	D7137201761	ハ`ンナイケーブ`ル	CONTROL CABLE		MAZAK	CABLE W177	制																	
			45	D7137201770	ハ`ンナイケーブ`ル	CONTROL CABLE		MAZAK		制																	
			46																								
			47	D7137201900	ハ`ンナイケーブ`ル	CONTROL CABLE		MAZAK	CABLE W190	制			1														
			48	D7137201910	ハ`ンナイケーブ`ル	CONTROL CABLE		MAZAK	CABLE W191	制	1	1	1	1	1	1											
HA005E		PC	49	D7137201940	ハ`ンナイケーブ`ル	CONTROL CABLE		MAZAK	CABLE W194	制	1	1	1	1	1	1											
HA001E		iC	50	D7137201951	ハ`ンナイケーブ`ル	CONTROL CABLE		MAZAK	CABLE W195	制			1														
HA005E		PA	51	D7137211940	ハ`ンナイケーブ`ル	CONTROL CABLE		MAZAK	CABLE W194	制			1														
HA001E		iC	52	D7137278231	ハ`ンナイケーブ`ル	CONTROL CABLE		MAZAK	CABLE W823	制																	
			53	D7137278260	ハ`ンナイケーブ`ル	CONTROL CABLE		MAZAK	CABLE W826	制																	
			54																								
			55	D7137208300	ハ`ンナイケーブ`ル	CONTROL CABLE		MAZAK	CABLE W830	制	1	1	1	1	1	1											
			56	D7137258310	ハ`ンナイケーブ`ル	CONTROL CABLE		MAZAK	CABLE W831	制				1	1	1											
HA001E		iC	57	D7137208321	ハ`ンナイケーブ`ル	CONTROL CABLE		MAZAK	CABLE W832	制			1														
HA001E		iC	58	D7137258321	ハ`ンナイケーブ`ル	CONTROL CABLE		MAZAK	CABLE W832	制																	
		PA	59	D71372A8320	ハ`ンナイケーブ`ル	CONTROL CABLE		MAZAK	CABLE W832	制	1	1															
		PA	60	D71372E8320	ハ`ンナイケーブ`ル	CONTROL CABLE		MAZAK	CABLE W832	制				1	1	1											
			61																								
HA005E		PC	62	D7137208530	ハ`ンナイケーブ`ル	CONTROL CABLE		MAZAK	CABLE W853	制			1														
HA001E		iC	63	D7137278531	ハ`ンナイケーブ`ル	CONTROL CABLE		MAZAK	CABLE W853	制																	
HA001E		iC	64	D7137278581	ハ`ンナイケーブ`ル	CONTROL CABLE		MAZAK	CABLE W858	制																	
HA005E		PA	65	D71372A8530	ハ`ンナイケーブ`ル	CONTROL CABLE		MAZAK	CABLE W853	制	1	1	1	1	1	1											
HA002E		PA	66	D7137208610	ハ`ンナイケーブ`ル	CONTROL CABLE		MAZAK	CABLE W861	制	1	1	1	1	1	1											
HA001E		iC	67	D7137208631	ハ`ンナイケーブ`ル	CONTROL CABLE		MAZAK	CABLE W863	制	1	1	1	1	1	1											
HA001E		iC	68	D7137258631	ハ`ンナイケーブ`ル	CONTROL CABLE		MAZAK	CABLE W863	制				1	1	1											
HA001E		iC	69	D7137278641	ハ`ンナイケーブ`ル	CONTROL CABLE		MAZAK	CABLE W864	制																	
			70																								
HA001E		iC	71	D7137208851	ハ`ンナイケーブ`ル	CONTROL CABLE		MAZAK	CABLE W885	制			1														
HA001E		iC	72	D7137278851	ハ`ンナイケーブ`ル	CONTROL CABLE		MAZAK	CABLE W885	制																	
			73																								
			74																								

機種分類 : 3720 / INTEGEX 100Ⅲ

/ A4B / CONTROL UNIT CABLE

変更NO	出図NO	識区	ユニットNO	ユニット仕様	対応組図	対応組図	対応組図	対応組図	対応組図	関連変番
HA005E		UD A	7372A402102	100ⅢT SPEC. [JPN]						
HA005E		UD B	7372A402202	100ⅢT SPEC. [YMC]						
HA005E		UD C	7372A402302	100ⅢT SPEC. [YME]						
HA005E		UC D	7372A402403	100ⅢST SPEC. [JPN]						
HA005E		UC E	7372A402503	100ⅢST SPEC. [YMC]						
HA005E		UC F	7372A402603	100ⅢST SPEC. [YME]						

変更NO	出図NO	識 認	NO	部品番号	部品和	PARTS-NAME	材質	メーカー名	型式	名称補助	A	B	C	D	E	F	G	H	J	K	L	M	N	P	Q	製コ	ラシク
				1D82ZZ000600	LAN ケーブル	LAN CABLE		MELCO	ETP-5M					1	1	1											
				2-																							
				3D7137200060	ﾊﾞﾝﾅｲﾎﾞﾙ	CONTROL CABLE		MAZAK	CABLE W6	制				1	1	1											
				4D7137200070	ﾊﾞﾝﾅｲﾎﾞﾙ	CONTROL CABLE		MAZAK	CABLE W7	制				1	1	1											
				5D7137200080	ﾊﾞﾝﾅｲﾎﾞﾙ	CONTROL CABLE		MAZAK	CABLE W8	制				1	1	1											
				6-																							
				7D7137200260	ﾊﾞﾝﾅｲﾎﾞﾙ	CONTROL CABLE		MAZAK	CABLE W26	制				1	1	1											
				8-																							
				9D7137200340	ﾊﾞﾝﾅｲﾎﾞﾙ	CONTROL CABLE		MAZAK	CABLE W34	制				1	1	1											
				10D7137200390	ﾊﾞﾝﾅｲﾎﾞﾙ	CONTROL CABLE		MAZAK	CABLE W39	制																	
				11D713720390	ﾊﾞﾝﾅｲﾎﾞﾙ	CONTROL CABLE		MAZAK	CABLE W39	制				1	1	1											
				12-																							
		iC		13D7137200401	ﾊﾞﾝﾅｲﾎﾞﾙ	CONTROL CABLE		MAZAK	CABLE W40	制																	
		iC		14D713720401	ﾊﾞﾝﾅｲﾎﾞﾙ	CONTROL CABLE		MAZAK	CABLE W40	制				1	1	1											
		iC		15D7137200421	ﾊﾞﾝﾅｲﾎﾞﾙ	CONTROL CABLE		MAZAK	CABLE W42	制				1	1	1											
		iC		16D713720421	ﾊﾞﾝﾅｲﾎﾞﾙ	CONTROL CABLE		MAZAK	CABLE W42	制				1	1	1											
				17-																							
		iC		18D7137201401	ﾊﾞﾝﾅｲﾎﾞﾙ	CONTROL CABLE		MAZAK	CABLE W140	制				1	1	1											
		iC		19D7137201431	ﾊﾞﾝﾅｲﾎﾞﾙ	CONTROL CABLE		MAZAK	CABLE W143	制				1	1	1											
		PD		20D7137201440	ﾊﾞﾝﾅｲﾎﾞﾙ	CONTROL CABLE		MAZAK	CABLE W144	制																	
				21D7137271440	ﾊﾞﾝﾅｲﾎﾞﾙ	CONTROL CABLE		MAZAK	CABLE W144	制				1	1	1											
				22-																							
		iC		23D7137201501	ﾊﾞﾝﾅｲﾎﾞﾙ	CONTROL CABLE		MAZAK	CABLE W150	制																	
		iC		24D7137251501	ﾊﾞﾝﾅｲﾎﾞﾙ	CONTROL CABLE		MAZAK	CABLE W150	制				1	1	1											
		iC		25D7137271511	ﾊﾞﾝﾅｲﾎﾞﾙ	CONTROL CABLE		MAZAK	CABLE W151	制				1	1	1											
				26D7137201520	ﾊﾞﾝﾅｲﾎﾞﾙ	CONTROL CABLE		MAZAK	CABLE W152	制																	
				27D7137271520	ﾊﾞﾝﾅｲﾎﾞﾙ	CONTROL CABLE		MAZAK	CABLE W152	制				1	1	1											
				28D7137201530	ﾊﾞﾝﾅｲﾎﾞﾙ	CONTROL CABLE		MAZAK	CABLE W153	制				1	1	1											
		iC		29D7137201541	ﾊﾞﾝﾅｲﾎﾞﾙ	CONTROL CABLE		MAZAK	CABLE W154	制				1	1	1											
		iC		30D7137271551	ﾊﾞﾝﾅｲﾎﾞﾙ	CONTROL CABLE		MAZAK	CABLE W155	制				1	1	1											
				31D7137201560	ﾊﾞﾝﾅｲﾎﾞﾙ	CONTROL CABLE		MAZAK	CABLE W156	制				1	1	1											
				32D7137271570	ﾊﾞﾝﾅｲﾎﾞﾙ	CONTROL CABLE		MAZAK	CABLE W157	制				1	1	1											
				33D7137271580	ﾊﾞﾝﾅｲﾎﾞﾙ	CONTROL CABLE		MAZAK	CABLE W158	制				1	1	1											
				34-																							
		iC		35D7137201601	ﾊﾞﾝﾅｲﾎﾞﾙ	CONTROL CABLE		MAZAK	CABLE W160	制																	
		iC		36D7137271601	ﾊﾞﾝﾅｲﾎﾞﾙ	CONTROL CABLE		MAZAK	CABLE W160	制				1	1	1											
				37D7137201610	ﾊﾞﾝﾅｲﾎﾞﾙ	CONTROL CABLE		MAZAK	CABLE W161	制																	
				38D7137271610	ﾊﾞﾝﾅｲﾎﾞﾙ	CONTROL CABLE		MAZAK	CABLE W161	制				1	1	1											
				39D7137201630	ﾊﾞﾝﾅｲﾎﾞﾙ	CONTROL CABLE		MAZAK	CABLE W163	制																	
				40D7137271630	ﾊﾞﾝﾅｲﾎﾞﾙ	CONTROL CABLE		MAZAK	CABLE W163	制				1	1	1											

変更NO	出図NO	識 認	NO	部品番号	部品和	PARTS-NAME	材質	メーカー名	型式	名称補助	A	B	C	D	E	F	G	H	J	K	L	M	N	P	Q	製コランク
HA001E		PA	41	D7137201640	ハンタイケーブル	CONTROL CABLE		MAZAK	CABLE W164	制				1	1	1										
HA001E		PA	42	D7137201650	ハンタイケーブル	CONTROL CABLE		MAZAK	CABLE W164	制				1	1	1										
			43	-																						
HA001E		iC	44	D7137201761	ハンタイケーブル	CONTROL CABLE		MAZAK	CABLE W176	制				1	1	1										
			45	D7137201770	ハンタイケーブル	CONTROL CABLE		MAZAK	CABLE W177	制				1	1	1										
			46	-																						
			47	D7137201900	ハンタイケーブル	CONTROL CABLE		MAZAK	CABLE W190	制					1											
			48	D7137201910	ハンタイケーブル	CONTROL CABLE		MAZAK	CABLE W191	制				1	1	1										
			49	D7137201940	ハンタイケーブル	CONTROL CABLE		MAZAK	CABLE W194	制				1	1	1										
HA001E		iC	50	D7137201951	ハンタイケーブル	CONTROL CABLE		MAZAK	CABLE W195	制																
HA005E		PA	51	D7137211940	ハンタイケーブル	CONTROL CABLE		MAZAK	CABLE W194	制																
HA001E		iC	52	D7137278231	ハンタイケーブル	CONTROL CABLE		MAZAK	CABLE W823	制				1	1	1										
			53	D7137278260	ハンタイケーブル	CONTROL CABLE		MAZAK	CABLE W826	制																
			54	-																						
			55	D7137208300	ハンタイケーブル	CONTROL CABLE		MAZAK	CABLE W830	制				1	1	1										
			56	D7137258310	ハンタイケーブル	CONTROL CABLE		MAZAK	CABLE W831	制				1	1	1										
HA001E		iC	57	D7137208321	ハンタイケーブル	CONTROL CABLE		MAZAK	CABLE W832	制																
HA001E		iC	58	D7137258321	ハンタイケーブル	CONTROL CABLE		MAZAK	CABLE W832	制																
		PA	59	D71372A8320	ハンタイケーブル	CONTROL CABLE		MAZAK	CABLE W832	制																
		PA	60	D71372E8320	ハンタイケーブル	CONTROL CABLE		MAZAK	CABLE W832	制				1	1	1										
			61	-																						
			62	D7137208530	ハンタイケーブル	CONTROL CABLE		MAZAK	CABLE W853	制																
HA005E		PC	63	D7137278531	ハンタイケーブル	CONTROL CABLE		MAZAK	CABLE W853	制																
HA001E		iC	64	D7137278581	ハンタイケーブル	CONTROL CABLE		MAZAK	CABLE W858	制																
HA005E		PA	65	D71372H8530	ハンタイケーブル	CONTROL CABLE		MAZAK	CABLE W853	制				1	1	1										
			66	D7137208610	ハンタイケーブル	CONTROL CABLE		MAZAK	CABLE W861	制				1	1	1										
HA001E		iC	67	D7137208631	ハンタイケーブル	CONTROL CABLE		MAZAK	CABLE W863	制																
HA001E		iC	68	D7137258631	ハンタイケーブル	CONTROL CABLE		MAZAK	CABLE W863	制				1	1	1										
HA001E		iC	69	D7137278641	ハンタイケーブル	CONTROL CABLE		MAZAK	CABLE W864	制				1	1	1										
			70	-																						
HA001E		iC	71	D7137208851	ハンタイケーブル	CONTROL CABLE		MAZAK	CABLE W885	制																
HA001E		iC	72	D7137278851	ハンタイケーブル	CONTROL CABLE		MAZAK	CABLE W885	制																
			73	-																						
			74	-																						

機種分類 : 3720 / INTEGEX 100Ⅲ

/ B0 / トランス

変更NO	出図NO	識区	ユニットNO	ユニット仕様	対応組図	対応組図	対応組図	対応組図	対応組図	関連変番
		UC A	7372B000101	[JPN] SPEC.						
		UC B	7372B000201	[YMC] SPEC.						
HA001E		UC C	7372B000301	[YME] SPEC.						
		UC D	7372B000401	[OTH (EXCEPT 380-415V)] SPEC.						
HA004E		UC E	7372B000502	[OTH (380-415V)] SPEC.						

変更NO	出函NO	識 認	NO	部品番号	部品和	PARTS-NAME	材質	メーカー名	型式	名称補助	A	B	C	D	E	F	G	H	I	J	K	L	M	N	P	Q	製コ	ランク
HA004E		iC		1D7137202501	イチジキカンケ-ブル	CABLE 1		MAZAK	CABLE W250	W250			1															
		PA		2D71372A2500	イチジキカンケ-ブル	CABLE 1		MAZAK	CABLE W250	W250	1																	
		PA		3D71372B2500	イチジキカンケ-ブル	CABLE 1		MAZAK	CABLE W250	W250		1	1															
HA004E		PA		4D71372C2500	イチジキカンケ-ブル	CABLE 1		MAZAK	CABLE W250	W250					1													
				5-																								

機種分類 : 3720 / INTEGEX 100III

/ B5 / 2nd. 制御盤部品

変更NO	出図NO	識区	ユニットNO	ユニット仕様	対応組図	対応組図	対応組図	対応組図	対応組図	関連変番
		A	7372B502100	100III T SPEC. [JPN]						
		B	7372B502200	100III T SPEC. [YMC]						
		C	7372B502300	100III T SPEC. [YME]						
		D	7372B502400	100III ST SPEC. [JPN]						
		E	7372B502500	100III ST SPEC. [YMC]						
		F	7372B502600	100III ST SPEC. [YME]						

変更NO	出図NO	識 認	NO	部品番号	部品和	PARTS-NAME	材質	メーカー名	型式	名称補助	A	B	C	D	E	F	G	H	J	K	L	M	N	P	Q	製ヨラン	
			1	D72MA011660	テ'ンガ'キョウキユユニット	POWER SUPPLY UNIT		MITSUBISHI	MDS-CH-CV-37	A25	(1)	(1)	(1)	(1)	(1)	(1)										C	
			2	D72MA012290	サ'ボ'ト'ライ'フ'ユニット	SERVO DRIVE UNIT		MITSUBISHI	MDS-CH-V2-2020	A37	(1)	(1)	(1)	(1)	(1)	(1)											C
			3-																								
			4	D56TR001840	ファン	FAN		TOYO DENKI	UTS450CW	W7	1	1	1	1	1	1											C
			5	D56TY001260	ファンガード	FAN GARD		TOYO DENKI	T-30F-1	W7	2	2	2	2	2	2											
			6-																								
			7	R25TC002360	リミットスイッチ	LIMIT SWITCH		OMRON	D2D-2000	SQ51	1	1	1	1	1	1											D
			8-																								
			9	42322627430	ア'ラ'バ' -	EARHT BAR		MAZAK	125*20*5T	W1011	1	1	1	1	1	1											
			10	D99ZZ560020	リンクバ' -	LINK BAR		TOMINAGA	85*15*3T		1	1	1	1	1	1											
			11-																								
			12	D59KKP01620	シールドパッキン	SHIELD PACKING		KITAGAWA	HSG-120150SK (L=1620mm)			2				2											
			13	D59KKP00270	シールドパッキン	SHIELD PACKING		KITAGAWA	HSG-120150SK (L=270mm)			2				2											
			14-																								
			15	D59HJT01620	シールドテープ	SHIELD TAPE		NISSEI	PT-RS-T15 (L=1620mm)			4				4											
			16	D59HJT00270	シールドテープ	SHIELD TAPE		NISSEI	PT-RS-T15 (L=270mm)			4				4											
			17-																								

機種分類 : 3720 / INTEGEX 100III

/ B6 / ハワーパネル

変更NO	出図NO	識区	ユニットNO	ユニット仕様	対応組図	対応組図	対応組図	対応組図	対応組図	関連変番
		UC A	7372B602101	100III T SPEC. [JPN]						
		UC B	7372B602201	100III T SPEC. [YMC]						
HA001E		UC C	7372B602301	100III T SPEC. [YME]						
		UC D	7372B602401	100III ST SPEC. [JPN]						
		UC E	7372B602501	100III ST SPEC. [YMC]						
HA001E		UC F	7372B602601	100III ST SPEC. [YME]						

変更NO	出図NO	識 認	NO	部品番号	部品和	PARTS-NAME	材質	メーカー名	型式	名称補助	A	B	C	D	E	F	G	H	J	K	L	M	N	P	Q	製コ
			1	D72MA008430	1'ンクサボト'ライハ'	SERVO DRIVER		mitsubishi	MR-J2-100CT	A38	1	1	1	1	1	1										C
			2	D72MA011710	リアクトル	REACTOR		mitsubishi	CH-AL-7.5	L2	(1)	(1)	(1)	(1)	(1)	(1)										
			3-																							
			4	D51FA004540	ノ'フェ'ス'ブ'レ'カ	NO FUSE BRAKER		FUJI	EA33/10A	QF71	1	1	1	1	1	1										D
			5	D51FA007820	ターミナルカバー	TERMINAL COVER		FUJI	BZ-TB10B-503	QF71	1	1	1	1	1	1										
			6-																							
			7	D01FA060720	マグ'ネ'チックコンタクタ	MAGNETIC CONTACTOR		FUJI	SC-5-1 AC400V 1a1b	KM23	1	1	1	1	1	1										D
			8	D53FA004580	ターミナルカバー	TERMINAL COVER		FUJI	SZ-T4	KM23	1	1	1	1	1	1										
			9	D43PA000140	スパ'ークキ'ラー	SPARK KILLER		OKAYA	GRH-10680	Z101	1	1	1	1	1	1										D
			10-																							
			11	D65UB004820	リモ'ートI/O	REMOTE I/O		UNION	YSJ670-8	AP35	1	1	1	1	1	1										C
			12	D72MA008490	リモ'ートI/Oカード	REMOTE I/O CARD		mitsubishi	HR371	AP35	(1)	(1)	(1)	(1)	(1)	(1)										C
			13-																							
			14	D59H2101130	ダ'クト	DUCT		KOWA	KD210 25*100*1130		1	1	1	1	1	1										
			15	D59H2100360	ダ'クト	DUCT		KOWA	KD210 25*100*360		1	1	1	1	1	1										
			16	D59H2100970	ダ'クト	DUCT		KOWA	KD210 25*100*970		1	1	1	1	1	1										
			17	D59H6100360	ダ'クト	DUCT		KOWA	KD610 60*100*360		1	1	1	1	1	1										
			18	D99YG991521	ブ'ラケ'ット	BRACKET		MAZAK	ZL2P*3		1	1	1	1	1	1										
			19	D59DAV40320	レ'ール	REAL		TOYO GIKEN	DAV4 L=320		1	1	1	1	1	1										
			20-																							
HA001E		iC	21	D7137201881	パ'ンナイケー'ブル	CONTROL CABLE		MAZAK	CABLE W188	制	1	1	1	1	1	1										
			22-																							
			23	D7137278810	パ'ンナイケー'ブル	CONTROL CABLE		MAZAK	CABLE W881	制	1	1	1	1	1	1										
HA001E		iC	24	D7137278861	パ'ンナイケー'ブル	CONTROL CABLE		MAZAK	CABLE W886	制	1	1	1	1	1	1										
		PA	25	D71372A8860	パ'ンナイケー'ブル	CONTROL CABLE		MAZAK	CABLE W886	制	1	1	1	1	1	1										
			26-																							

機種分類 : 3720 / INTEGEX 100Ⅲ

/ B9 / メインブレカ

変更NO	出図NO	識区	ユニットNO	ユニット仕様	対応組図	対応組図	対応組図	対応組図	対応組図	関連変番
		UC A	7372B900101	100Ⅲ/100ⅢT SPEC. [JPN]						
HA004E		UC B	7372B900202	100Ⅲ/100ⅢT SPEC. [YMC]						
HA004E		UC C	7372B900303	100Ⅲ/100ⅢT SPEC. [YME]						
		UC D	7372B900401	100ⅢS/100ⅢST SPEC. [JPN]						
HA004E		UC E	7372B900502	100ⅢS/100ⅢST SPEC. [YMC]						
HA001E		UC F	7372B900601	100ⅢS/100ⅢST SPEC. [YME]						
HA004E		UC G	7372B900702	100Ⅲ/100ⅢT SPEC. [OTH (EXCEPT 380-415V)]						
HA004E		UC H	7372B900803	100Ⅲ/100ⅢT SPEC. [OTH (380-415V)]						
HA004E		UC J	7372B900902	100ⅢS/100ⅢST SPEC. [OTH (EXCEPT 380-415V)]						
HA004E		UC K	7372B901002	100ⅢS/100ⅢST SPEC. [OTH (380-415V)]						

変更NO	出図NO	識 認	NO	部品番号	部品和	PARTS-NAME	材質	メーカー名	型式	名称補助	A	B	C	D	E	F	G	H	J	K	L	M	N	P	Q	部コ ラウク	
				1D51FA015060	ノーフューズブレーカ	NO FUSE BRAKER		FUJI	EA203B/150A F=AC100V	QF1	1															D	
				2D51FA011070	ノーフューズブレーカ	NO FUSE BRAKER		FUJI	EA203B/225A F=AC100V	QF1		1			1					1							D
				3D51FA015070	ノーフューズブレーカ	NO FUSE BRAKER		FUJI	SA103BA/100A F=AC100V	QF1			1			1											D
				4D51FA008280	ターミナルカバー	TERMINAL COVER		FUJI	BZ-TB40B	QF1		1				1				1							
				5D51FA007390	ターミナルカバー	TERMINAL COVER		FUJI	BZ-TB30B-3	QF1			1				1				1						
				6D51FA010430	ハンドル	HANDLE		FUJI	BZ-N40C	QF1	1	1			1						1						
				7D51FA015080	ハンドル	HANDLE		FUJI	BZ-V30C-E	QF1			1			1											
				8-																							
		YS		9/43564459640	アースバー	EARTH BAR		MAZAK	95*30*15	W1030	1	1	1	1	1	1	1	1	1	1	1	1	1	1	1		
				10-																							
				11D51FA015100	ノーフューズブレーカ	NO FUSE BRAKER		FUJI	EAT03B/100A F=AC100V	QF1										1							D
				12D51FA010410	ハンドル	HANDLE		FUJI	BZ-N20C	QF1										1							
				13-																							
				14D7137202780	ケーブル	CABLE 1		MAZAK	CABLE W278	W278																	
		PA		15D71372A2780	ケーブル	CABLE 1		MAZAK	CABLE W278	W278	1				1												
		PC		16D71372B2781	ケーブル	CABLE 1		MAZAK	CABLE W278	W278		1				1					1						
		PC		17D7137212781	ケーブル	CABLE 1		MAZAK	CABLE W278	W278			1														
		PA		18D71372C2780	ケーブル	CABLE 1		MAZAK	CABLE W278	W278										1							

機種分類 : 3720 / INTEGREGX 100III

/ C1A / 1次機関ケーブル

変更NO	出図NO	識区	ユニットNO	ユニット仕様	対応組図	対応組図	対応組図	対応組図	対応組図	関連変番
HA005E		UC A	7372C100104	1ST CABLE 40MAG. SPEC. [JPN] (III SPEC.)						
HA005E		UC B	7372C100204	1ST CABLE 40MAG. SPEC. [YMG] (III SPEC.)						
HA005E		UC C	7372C100304	1ST CABLE 40MAG. SPEC. [YME] (III SPEC.)						
HA005E		UA D	7372C100400	1ST CABLE 80MAG. SPEC. [JPN] (III SPEC.)						
HA005E		UA E	7372C100500	1ST CABLE 80MAG. SPEC. [YMG] (III SPEC.)						
HA005E		UA F	7372C100600	1ST CABLE 80MAG. SPEC. [YME] (III SPEC.)						
HA005E		UC G	7372C100704	1ST CABLE 40MAG. SPEC. [JPN] (III S/III ST SPEC.)						
HA005E		UC H	7372C100804	1ST CABLE 40MAG. SPEC. [YMG] (III S/III ST SPEC.)						
HA005E		UC J	7372C100904	1ST CABLE 40MAG. SPEC. [YME] (III S/III ST SPEC.)						
HA005E		UA K	7372C101000	1ST CABLE 80MAG. SPEC. [JPN] (III S/III ST SPEC.)						
HA005E		UA L	7372C101100	1ST CABLE 80MAG. SPEC. [YMG] (III S/III ST SPEC.)						

変更NO	出図NO	識区	ユニットNO	ユニット仕様	対応組図	対応組図	対応組図	対応組図	対応組図	関連変番
HA005E		UA M	7372C101200	1ST CABLE 80MAG. SPEC. [YME] (IIS/IIIS SPEC.)						

変更NO	出図NO	識 認 NO	部品番号	部品和	PARTS-NAME	材質	メーカー名	型式	名称補助	A	B	C	D	E	F	G	H	J	K	L	M	N	P	Q	備考	
HA001E		IC	1D7137202003	ｲﾝｼﾞ ｷﾝｸﾞﾈｰﾌﾞﾙ	CABLE 1		MAZAK	CABLE W200	W200	1	1	1	1	1	1											
HA001E		IC	2D7137252003	ｲﾝｼﾞ ｷﾝｸﾞﾈｰﾌﾞﾙ	CABLE 1		MAZAK	CABLE W200	W200	1	1	1	1	1	1	1	1	1	1	1	1	1	1	1		
HA002E		IC	3D7137202012	ｲﾝｼﾞ ｷﾝｸﾞﾈｰﾌﾞﾙ	CABLE 1		MAZAK	CABLE W201	W201	1	1	1	1	1	1	1	1	1	1	1	1	1	1	1		
HA002E		IC	4D7137252012	ｲﾝｼﾞ ｷﾝｸﾞﾈｰﾌﾞﾙ	CABLE 1		MAZAK	CABLE W201	W201	1	1	1	1	1	1	1	1	1	1	1	1	1	1	1		
HA002E		IC	5D7137202024	ｲﾝｼﾞ ｷﾝｸﾞﾈｰﾌﾞﾙ	CABLE 1		MAZAK	CABLE W202	W202	1																
HA002E		IC	6D7137252024	ｲﾝｼﾞ ｷﾝｸﾞﾈｰﾌﾞﾙ	CABLE 1		MAZAK	CABLE W202	W202	1																
		PA	7D71372A2020	ｲﾝｼﾞ ｷﾝｸﾞﾈｰﾌﾞﾙ	CABLE 1		MAZAK	CABLE W202	W202	1	1															
		PA	8D71372E2020	ｲﾝｼﾞ ｷﾝｸﾞﾈｰﾌﾞﾙ	CABLE 1		MAZAK	CABLE W202	W202	1																
HA001E		IC	9D7137202041	ｲﾝｼﾞ ｷﾝｸﾞﾈｰﾌﾞﾙ	CABLE 1		MAZAK	CABLE W204	W204	1																
HA001E		IC	10D7137252041	ｲﾝｼﾞ ｷﾝｸﾞﾈｰﾌﾞﾙ	CABLE 1		MAZAK	CABLE W204	W204	1																
		PA	11D71372A2040	ｲﾝｼﾞ ｷﾝｸﾞﾈｰﾌﾞﾙ	CABLE 1		MAZAK	CABLE W204	W204	1	1	1	1	1	1	1	1	1	1	1	1	1	1	1	1	
		PA	12D71372E2040	ｲﾝｼﾞ ｷﾝｸﾞﾈｰﾌﾞﾙ	CABLE 1		MAZAK	CABLE W204	W204	1																
HA001E		IC	13D7137202051	ｲﾝｼﾞ ｷﾝｸﾞﾈｰﾌﾞﾙ	CABLE 1		MAZAK	CABLE W205	W205	1																
HA001E		IC	14D7137252051	ｲﾝｼﾞ ｷﾝｸﾞﾈｰﾌﾞﾙ	CABLE 1		MAZAK	CABLE W205	W205	1																
		PA	15D71372A2050	ｲﾝｼﾞ ｷﾝｸﾞﾈｰﾌﾞﾙ	CABLE 1		MAZAK	CABLE W205	W205	1	1	1	1	1	1	1	1	1	1	1	1	1	1	1	1	
		PA	16D71372E2050	ｲﾝｼﾞ ｷﾝｸﾞﾈｰﾌﾞﾙ	CABLE 1		MAZAK	CABLE W205	W205	1	1	1	1	1	1	1	1	1	1	1	1	1	1	1	1	
HA001E		IC	17D7137202061	ｲﾝｼﾞ ｷﾝｸﾞﾈｰﾌﾞﾙ	CABLE 1		MAZAK	CABLE W206	W206	1	1	1	1	1	1	1	1	1	1	1	1	1	1	1	1	
HA001E		IC	18D7137252061	ｲﾝｼﾞ ｷﾝｸﾞﾈｰﾌﾞﾙ	CABLE 1		MAZAK	CABLE W206	W206	1	1	1	1	1	1	1	1	1	1	1	1	1	1	1	1	
HA001E		IC	19D7137202071	ｲﾝｼﾞ ｷﾝｸﾞﾈｰﾌﾞﾙ	CABLE 1		MAZAK	CABLE W207	W207	1	1	1	1	1	1	1	1	1	1	1	1	1	1	1	1	
HA001E		IC	20D7137252071	ｲﾝｼﾞ ｷﾝｸﾞﾈｰﾌﾞﾙ	CABLE 1		MAZAK	CABLE W207	W207	1	1	1	1	1	1	1	1	1	1	1	1	1	1	1	1	
HA001E		IC	21D7137202081	ｲﾝｼﾞ ｷﾝｸﾞﾈｰﾌﾞﾙ	CABLE 1		MAZAK	CABLE W208	W208	1																
HA001E		IC	22D7137252081	ｲﾝｼﾞ ｷﾝｸﾞﾈｰﾌﾞﾙ	CABLE 1		MAZAK	CABLE W208	W208	1																
		PA	23D71372A2080	ｲﾝｼﾞ ｷﾝｸﾞﾈｰﾌﾞﾙ	CABLE 1		MAZAK	CABLE W208	W208	1	1	1	1	1	1	1	1	1	1	1	1	1	1	1	1	
		PA	24D71372E2080	ｲﾝｼﾞ ｷﾝｸﾞﾈｰﾌﾞﾙ	CABLE 1		MAZAK	CABLE W208	W208	1																
HA001E		IC	25D7137202091	ｲﾝｼﾞ ｷﾝｸﾞﾈｰﾌﾞﾙ	CABLE 1		MAZAK	CABLE W209	W209	1																
HA001E		IC	26D7137252091	ｲﾝｼﾞ ｷﾝｸﾞﾈｰﾌﾞﾙ	CABLE 1		MAZAK	CABLE W209	W209	1																
		PA	27D71372A2090	ｲﾝｼﾞ ｷﾝｸﾞﾈｰﾌﾞﾙ	CABLE 1		MAZAK	CABLE W209	W209	1	1	1	1	1	1	1	1	1	1	1	1	1	1	1	1	
		PA	28D71372E2090	ｲﾝｼﾞ ｷﾝｸﾞﾈｰﾌﾞﾙ	CABLE 1		MAZAK	CABLE W209	W209	1																
			29-																							
HA001E		IC	30D7137202103	ｲﾝｼﾞ ｷﾝｸﾞﾈｰﾌﾞﾙ	CABLE 1		MAZAK	CABLE W210	W210	1	1	1	1	1	1	1	1	1	1	1	1	1	1	1	1	
HA001E		IC	31D7137252103	ｲﾝｼﾞ ｷﾝｸﾞﾈｰﾌﾞﾙ	CABLE 1		MAZAK	CABLE W210	W210	1	1	1	1	1	1	1	1	1	1	1	1	1	1	1	1	
HA002E		IC	32D7137202113	ｲﾝｼﾞ ｷﾝｸﾞﾈｰﾌﾞﾙ	CABLE 1		MAZAK	CABLE W211	W211	1	1	1	1	1	1	1	1	1	1	1	1	1	1	1	1	
HA002E		IC	33D7137252113	ｲﾝｼﾞ ｷﾝｸﾞﾈｰﾌﾞﾙ	CABLE 1		MAZAK	CABLE W211	W211	1	1	1	1	1	1	1	1	1	1	1	1	1	1	1	1	
HA001E		IC	34D7137202121	ｲﾝｼﾞ ｷﾝｸﾞﾈｰﾌﾞﾙ	CABLE 1		MAZAK	CABLE W212	W212	1	1	1	1	1	1	1	1	1	1	1	1	1	1	1	1	
HA001E		IC	35D7137252121	ｲﾝｼﾞ ｷﾝｸﾞﾈｰﾌﾞﾙ	CABLE 1		MAZAK	CABLE W212	W212	1																
HA001E		IC	36D7137202131	ｲﾝｼﾞ ｷﾝｸﾞﾈｰﾌﾞﾙ	CABLE 1		MAZAK	CABLE W213	W213	1																
HA001E		IC	37D7137252131	ｲﾝｼﾞ ｷﾝｸﾞﾈｰﾌﾞﾙ	CABLE 1		MAZAK	CABLE W213	W213	1																
		PA	38D71372A2130	ｲﾝｼﾞ ｷﾝｸﾞﾈｰﾌﾞﾙ	CABLE 1		MAZAK	CABLE W213	W213	1	1															
		PA	39D71372E2130	ｲﾝｼﾞ ｷﾝｸﾞﾈｰﾌﾞﾙ	CABLE 1		MAZAK	CABLE W213	W213	1																
HA001E		PD	40D7137202141	ｲﾝｼﾞ ｷﾝｸﾞﾈｰﾌﾞﾙ	CABLE 1		MAZAK	CABLE W214	W214	1																

変更NO	出図NO	識	認 NO	部品番号	部品和	PARTS-NAME	材質	メーカー名	型式	名称補助	A	B	C	D	E	F	G	H	J	K	L	M	N	P	Q	製コ
HA001E		PD		41 D7137252141	イジ、キソケ-ブル	CABLE 1		MAZAK	CABLE W214	W214																
HA001E		IC		42 D7137202151	イジ、キソケ-ブル	CABLE 1		MAZAK	CABLE W215	W215		1														
HA001E		IC		43 D7137252151	イジ、キソケ-ブル	CABLE 1		MAZAK	CABLE W215	W215									1							
		PA		44 D71372A2150	イジ、キソケ-ブル	CABLE 1		MAZAK	CABLE W215	W215	1															
HA001E		PA		45 D71372E2150	イジ、キソケ-ブル	CABLE 1		MAZAK	CABLE W215	W215					1											
HA001E		IC		46 D7137202161	イジ、キソケ-ブル	CABLE 1		MAZAK	CABLE W216	W216			1													
HA001E		IC		47 D7137252161	イジ、キソケ-ブル	CABLE 1		MAZAK	CABLE W216	W216									1							
HA001E		PA		48 D71372A2160	イジ、キソケ-ブル	CABLE 1		MAZAK	CABLE W216	W216	1															
HA001E		PA		49 D71372E2160	イジ、キソケ-ブル	CABLE 1		MAZAK	CABLE W216	W216					1											
HA001E		IC		50 D7137202192	イジ、キソケ-ブル	CABLE 1		MAZAK	CABLE W219	W219			1													
HA001E		IC		51 D7137252192	イジ、キソケ-ブル	CABLE 1		MAZAK	CABLE W219	W219									1							
		PA		52 D71372A2190	イジ、キソケ-ブル	CABLE 1		MAZAK	CABLE W219	W219	1				1											
HA005E		PA		53 D71372E2190	イジ、キソケ-ブル	CABLE 1		MAZAK	CABLE W219	W219									1							
HA005E		PA		54 D7137212232	イジ、キソケ-ブル	CABLE 1		MAZAK	CABLE W223	W223	1		1		1											
HA005E		IC		55 D7137202234	イジ、キソケ-ブル	CABLE 1		MAZAK	CABLE W223	W223									1	1	1	1				
HA005E		IC		56 D7137202252	イジ、キソケ-ブル	CABLE 1		MAZAK	CABLE W225	W225									1	1	1	1				
HA005E		IC		57 D7137202262	イジ、キソケ-ブル	CABLE 1		MAZAK	CABLE W226	W226									1							
HA005E		IC		58 D71372A2261	イジ、キソケ-ブル	CABLE 1		MAZAK	CABLE W226	W226									1	1	1	1				
HA005E		IC		59 D7137202291	イジ、キソケ-ブル	CABLE 1		MAZAK	CABLE W229	W229									1							
				60 -																						
HA001E		IC		61 D7137202301	イジ、キソケ-ブル	CABLE 1		MAZAK	CABLE W230	W230			1													
HA005E		IC		62 D7137202311	イジ、キソケ-ブル	CABLE 1		MAZAK	CABLE W231	W231									1							
HA005E		IC		63 D71372A2311	イジ、キソケ-ブル	CABLE 1		MAZAK	CABLE W231	W231									1	1	1	1				
HA005E		IC		64 D7137202321	イジ、キソケ-ブル	CABLE 1		MAZAK	CABLE W232	W232									1							
HA005E		IC		65 D7137212431	イジ、キソケ-ブル	CABLE 1		MAZAK	CABLE W243	W243	1		1		1											
HA005E		IC		66 D7137202432	イジ、キソケ-ブル	CABLE 1		MAZAK	CABLE W243	W243									1	1	1	1				
				67 -																						
HA005E		IC		68 D7137202632	イジ、キソケ-ブル	CABLE 1		MAZAK	CABLE W263	W263			1													
HA005E		IC		69 D7137252632	イジ、キソケ-ブル	CABLE 1		MAZAK	CABLE W263	W263									1	1	1					
HA002E		IC		70 D7137202652	イジ、キソケ-ブル	CABLE 1		MAZAK	CABLE W265	W265																
HA002E		IC		71 D7137252652	イジ、キソケ-ブル	CABLE 1		MAZAK	CABLE W265	W265										1						
HA002E		IC		72 D71372A2651	イジ、キソケ-ブル	CABLE 1		MAZAK	CABLE W265	W265	1		1						1							
				73 -																						
HA001E		IC		74 D7137202761	イジ、キソケ-ブル	CABLE 1		MAZAK	CABLE W276	W276			1													
HA001E		IC		75 D7137252761	イジ、キソケ-ブル	CABLE 1		MAZAK	CABLE W276	W276									1	1	1					
				76 -																						
HA001E		IC		77 D7137202801	イジ、キソケ-ブル	CABLE 1		MAZAK	CABLE W280	W280			1													
HA001E		IC		78 D7137252801	イジ、キソケ-ブル	CABLE 1		MAZAK	CABLE W280	W280									1	1	1					
				79 -																						
				80 -																						

変更NO	出図NO	識	認	NO	部品番号	部品和	PARTS-NAME	材質	メーカー名	型式	名称補助	A	B	C	D	E	F	G	H	J	K	L	M	N	P	Q	取コラシ
HA005E		PA			81	D7137222150	ｲﾝｼﾞｷﾝｸﾞﾌﾞﾙ	CABLE 1	MAZAK	CABLE W215	W215						1										
HA005E		PA			82	D71372C2150	ｲﾝｼﾞｷﾝｸﾞﾌﾞﾙ	CABLE 1	MAZAK	CABLE W215	W215					1						1					
HA005E		PA			83	D7137222160	ｲﾝｼﾞｷﾝｸﾞﾌﾞﾙ	CABLE 1	MAZAK	CABLE W216	W216						1										
HA005E		PA			84	D71372C2160	ｲﾝｼﾞｷﾝｸﾞﾌﾞﾙ	CABLE 1	MAZAK	CABLE W216	W216						1					1					
HA005E		PA			86	D7137222250	ｲﾝｼﾞｷﾝｸﾞﾌﾞﾙ	CABLE 1	MAZAK	CABLE W225	W225					1	1	1	1								
HA005E		PA			87	D7137212260	ｲﾝｼﾞｷﾝｸﾞﾌﾞﾙ	CABLE 1	MAZAK	CABLE W226	W226						1										
HA005E		PA			88	D71372B2260	ｲﾝｼﾞｷﾝｸﾞﾌﾞﾙ	CABLE 1	MAZAK	CABLE W226	W226					1	1	1	1								
HA005E		PA			89	D7137222290	ｲﾝｼﾞｷﾝｸﾞﾌﾞﾙ	CABLE 1	MAZAK	CABLE W229	W229						1										
HA005E		PA			90	D7137212310	ｲﾝｼﾞｷﾝｸﾞﾌﾞﾙ	CABLE 1	MAZAK	CABLE W231	W231						1										
HA005E		PA			91	D71372B2310	ｲﾝｼﾞｷﾝｸﾞﾌﾞﾙ	CABLE 1	MAZAK	CABLE W231	W231					1	1	1	1								
HA005E		PA			92	D7137212320	ｲﾝｼﾞｷﾝｸﾞﾌﾞﾙ	CABLE 1	MAZAK	CABLE W232	W232						1										
HA005E		PA			93	D7137202510	ｲﾝｼﾞｷﾝｸﾞﾌﾞﾙ	CABLE 1	MAZAK	CABLE W251	W251						1										
HA005E		PA			94	D71372A2510	ｲﾝｼﾞｷﾝｸﾞﾌﾞﾙ	CABLE 1	MAZAK	CABLE W251	W251						1					1					
HA005E		PA			95	D7137202520	ｲﾝｼﾞｷﾝｸﾞﾌﾞﾙ	CABLE 1	MAZAK	CABLE W252	W252						1										
HA005E		PA			96	D71372A2520	ｲﾝｼﾞｷﾝｸﾞﾌﾞﾙ	CABLE 1	MAZAK	CABLE W252	W252						1					1					
HA005E		PA			97	D7137202700	ｲﾝｼﾞｷﾝｸﾞﾌﾞﾙ	CABLE 1	MAZAK	CABLE W270	W270						1	1	1			1					
HA005E		PA			98	D7137202710	ｲﾝｼﾞｷﾝｸﾞﾌﾞﾙ	CABLE 1	MAZAK	CABLE W271	W271						1	1	1			1					
HA005E		PA			99	D7137202720	ｲﾝｼﾞｷﾝｸﾞﾌﾞﾙ	CABLE 1	MAZAK	CABLE W272	W272						1	1	1			1					
HA005E		PA			100	D7137202740	ｲﾝｼﾞｷﾝｸﾞﾌﾞﾙ	CABLE 1	MAZAK	CABLE W274	W274						1	1	1			1					

機種分類 : 3720 / INTEGREGX 100Ⅲ

／ C1B / 1次機関ケーブル

変更NO	出図NO	識区	ユニットNO	ユニット仕様	対応組図	対応組図	対応組図	対応組図	対応組図	関連変番
HA005E		UC A	7372C102102	1ST CABLE 20MAG. SPEC. [JPN] (Ⅲ SPEC.)						
HA005E		UC B	7372C102202	1ST CABLE 20MAG. SPEC. [YMC] (Ⅲ SPEC.)						
HA005E		UC C	7372C102302	1ST CABLE 20MAG. SPEC. [YME] (Ⅲ SPEC.)						
HA005E		UC D	7372C102402	1ST CABLE 20MAG. SPEC. [JPN] (ⅢS/ⅢST SPEC.)						
HA005E		UC E	7372C102502	1ST CABLE 20MAG. SPEC. [YMC] (ⅢS/ⅢST SPEC.)						
HA005E		UC F	7372C102602	1ST CABLE 20MAG. SPEC. [YME] (ⅢS/ⅢST SPEC.)						

変更NO	出図NO	識	認	NO	部品番号	部品和	PARTS-NAME	材質	メーカー名	型式	名称補助	A	B	C	D	E	F	G	H	J	K	L	M	N	P	Q	製コ	ラック	
				1	D7137202003	ｲﾝｼﾞｷﾝｸﾞﾌﾞﾙ	CABLE 1		MAZAK	CABLE W200	W200	1	1	1															
				2	D7137252003	ｲﾝｼﾞｷﾝｸﾞﾌﾞﾙ	CABLE 1		MAZAK	CABLE W200	W200						1	1											
				3	D7137202012	ｲﾝｼﾞｷﾝｸﾞﾌﾞﾙ	CABLE 1		MAZAK	CABLE W201	W201	1	1	1															
				4	D7137252012	ｲﾝｼﾞｷﾝｸﾞﾌﾞﾙ	CABLE 1		MAZAK	CABLE W201	W201							1	1										
				5	D7137202024	ｲﾝｼﾞｷﾝｸﾞﾌﾞﾙ	CABLE 1		MAZAK	CABLE W202	W202																		
				6	D7137252024	ｲﾝｼﾞｷﾝｸﾞﾌﾞﾙ	CABLE 1		MAZAK	CABLE W202	W202	1	1	1															
				7	D71372A2020	ｲﾝｼﾞｷﾝｸﾞﾌﾞﾙ	CABLE 1		MAZAK	CABLE W202	W202																		
				8	D71372E2020	ｲﾝｼﾞｷﾝｸﾞﾌﾞﾙ	CABLE 1		MAZAK	CABLE W202	W202																		
				9	D7137202041	ｲﾝｼﾞｷﾝｸﾞﾌﾞﾙ	CABLE 1		MAZAK	CABLE W204	W204																		
				10	D7137252041	ｲﾝｼﾞｷﾝｸﾞﾌﾞﾙ	CABLE 1		MAZAK	CABLE W204	W204																		
				11	D71372A2040	ｲﾝｼﾞｷﾝｸﾞﾌﾞﾙ	CABLE 1		MAZAK	CABLE W204	W204	1	1	1															
				12	D71372E2040	ｲﾝｼﾞｷﾝｸﾞﾌﾞﾙ	CABLE 1		MAZAK	CABLE W204	W204																		
				13	D7137202051	ｲﾝｼﾞｷﾝｸﾞﾌﾞﾙ	CABLE 1		MAZAK	CABLE W205	W205																		
				14	D7137252051	ｲﾝｼﾞｷﾝｸﾞﾌﾞﾙ	CABLE 1		MAZAK	CABLE W205	W205																		
				15	D71372A2050	ｲﾝｼﾞｷﾝｸﾞﾌﾞﾙ	CABLE 1		MAZAK	CABLE W205	W205	1	1	1															
				16	D71372E2050	ｲﾝｼﾞｷﾝｸﾞﾌﾞﾙ	CABLE 1		MAZAK	CABLE W205	W205																		
				17	D7137202061	ｲﾝｼﾞｷﾝｸﾞﾌﾞﾙ	CABLE 1		MAZAK	CABLE W206	W206	1	1	1															
				18	D7137252061	ｲﾝｼﾞｷﾝｸﾞﾌﾞﾙ	CABLE 1		MAZAK	CABLE W206	W206																		
				19	D7137202071	ｲﾝｼﾞｷﾝｸﾞﾌﾞﾙ	CABLE 1		MAZAK	CABLE W207	W207	1	1	1															
				20	D7137252071	ｲﾝｼﾞｷﾝｸﾞﾌﾞﾙ	CABLE 1		MAZAK	CABLE W207	W207																		
				21	D7137202081	ｲﾝｼﾞｷﾝｸﾞﾌﾞﾙ	CABLE 1		MAZAK	CABLE W208	W208																		
				22	D7137252081	ｲﾝｼﾞｷﾝｸﾞﾌﾞﾙ	CABLE 1		MAZAK	CABLE W208	W208																		
				23	D71372A2080	ｲﾝｼﾞｷﾝｸﾞﾌﾞﾙ	CABLE 1		MAZAK	CABLE W208	W208	1	1	1															
				24	D71372E2080	ｲﾝｼﾞｷﾝｸﾞﾌﾞﾙ	CABLE 1		MAZAK	CABLE W208	W208																		
				25	D7137202091	ｲﾝｼﾞｷﾝｸﾞﾌﾞﾙ	CABLE 1		MAZAK	CABLE W209	W209																		
				26	D7137252091	ｲﾝｼﾞｷﾝｸﾞﾌﾞﾙ	CABLE 1		MAZAK	CABLE W209	W209																		
				27	D71372A2090	ｲﾝｼﾞｷﾝｸﾞﾌﾞﾙ	CABLE 1		MAZAK	CABLE W209	W209	1	1	1															
				28	D71372E2090	ｲﾝｼﾞｷﾝｸﾞﾌﾞﾙ	CABLE 1		MAZAK	CABLE W209	W209																		
				29	-																								
				30	D7137202103	ｲﾝｼﾞｷﾝｸﾞﾌﾞﾙ	CABLE 1		MAZAK	CABLE W210	W210																		
				31	D7137252103	ｲﾝｼﾞｷﾝｸﾞﾌﾞﾙ	CABLE 1		MAZAK	CABLE W210	W210	1	1	1															
				32	D7137202113	ｲﾝｼﾞｷﾝｸﾞﾌﾞﾙ	CABLE 1		MAZAK	CABLE W211	W211																		
				33	D7137252110	ｲﾝｼﾞｷﾝｸﾞﾌﾞﾙ	CABLE 1		MAZAK	CABLE W211	W211	1	1	1															
				34	D7137212120	ｲﾝｼﾞｷﾝｸﾞﾌﾞﾙ	CABLE 1		MAZAK	CABLE W212	W212																		
				35	D7137262120	ｲﾝｼﾞｷﾝｸﾞﾌﾞﾙ	CABLE 1		MAZAK	CABLE W212	W212	1	1	1															
				36	D7137212130	ｲﾝｼﾞｷﾝｸﾞﾌﾞﾙ	CABLE 1		MAZAK	CABLE W213	W213																		
				37	D7137262130	ｲﾝｼﾞｷﾝｸﾞﾌﾞﾙ	CABLE 1		MAZAK	CABLE W213	W213																		
				38	D71372B2130	ｲﾝｼﾞｷﾝｸﾞﾌﾞﾙ	CABLE 1		MAZAK	CABLE W213	W213	1	1	1															
				39	D71372F2130	ｲﾝｼﾞｷﾝｸﾞﾌﾞﾙ	CABLE 1		MAZAK	CABLE W213	W213																		
				40	D7137202141	ｲﾝｼﾞｷﾝｸﾞﾌﾞﾙ	CABLE 1		MAZAK	CABLE W214	W214																		

変更NO	出図NO	識 認 NO	部品番号	部品和	PARTS-NAME	材質	メーカー名	型式	名称補助	A	B	C	D	E	F	G	H	J	K	L	M	N	P	Q	製コラシク		
			41	D7137252141	イジ' キンケ-ﾌﾞﾙ	CABLE 1	MAZAK	CABLE W214	W214																		
			42	D7137212150	イジ' キンケ-ﾌﾞﾙ	CABLE 1	MAZAK	CABLE W215	W215			1															
			43	D7137262150	イジ' キンケ-ﾌﾞﾙ	CABLE 1	MAZAK	CABLE W215	W215						1												
			44	D7137262150	イジ' キンケ-ﾌﾞﾙ	CABLE 1	MAZAK	CABLE W215	W215	1	1																
			45	D71372F2150	イジ' キンケ-ﾌﾞﾙ	CABLE 1	MAZAK	CABLE W215	W215				1	1													
			46	D7137212160	イジ' キンケ-ﾌﾞﾙ	CABLE 1	MAZAK	CABLE W216	W216			1															
			47	D7137262160	イジ' キンケ-ﾌﾞﾙ	CABLE 1	MAZAK	CABLE W216	W216						1												
			48	D7137262160	イジ' キンケ-ﾌﾞﾙ	CABLE 1	MAZAK	CABLE W216	W216	1	1																
			49	D71372F2160	イジ' キンケ-ﾌﾞﾙ	CABLE 1	MAZAK	CABLE W216	W216				1	1													
			50	D7137202192	イジ' キンケ-ﾌﾞﾙ	CABLE 1	MAZAK	CABLE W219	W219			1															
			51	D7137252192	イジ' キンケ-ﾌﾞﾙ	CABLE 1	MAZAK	CABLE W219	W219						1												
			52	D71372A2190	イジ' キンケ-ﾌﾞﾙ	CABLE 1	MAZAK	CABLE W219	W219	1	1																
			53	D71372E2190	イジ' キンケ-ﾌﾞﾙ	CABLE 1	MAZAK	CABLE W219	W219					1	1												
HA005E		iC	54	D7137212232	イジ' キンケ-ﾌﾞﾙ	CABLE 1	MAZAK	CABLE W223	W223	1	1																
HA005E		iC	55	D7137202234	イジ' キンケ-ﾌﾞﾙ	CABLE 1	MAZAK	CABLE W223	W223				1	1													
HA005E		iC	56	D7137202252	イジ' キンケ-ﾌﾞﾙ	CABLE 1	MAZAK	CABLE W225	W225					1	1												
HA005E		iC	57	D7137202262	イジ' キンケ-ﾌﾞﾙ	CABLE 1	MAZAK	CABLE W226	W226						1	1											
HA005E		iC	58	D71372A2261	イジ' キンケ-ﾌﾞﾙ	CABLE 1	MAZAK	CABLE W226	W226				1	1													
HA005E		iC	59	D7137202291	イジ' キンケ-ﾌﾞﾙ	CABLE 1	MAZAK	CABLE W229	W229							1											
			60	-																							
			61	D7137202301	イジ' キンケ-ﾌﾞﾙ	CABLE 1	MAZAK	CABLE W230	W230				1														
HA005E		iC	62	D7137202311	イジ' キンケ-ﾌﾞﾙ	CABLE 1	MAZAK	CABLE W231	W231						1												
HA005E		iC	63	D71372A2311	イジ' キンケ-ﾌﾞﾙ	CABLE 1	MAZAK	CABLE W231	W231						1	1											
HA005E		iC	64	D7137202321	イジ' キンケ-ﾌﾞﾙ	CABLE 1	MAZAK	CABLE W232	W232							1											
HA005E		iC	65	D7137212431	イジ' キンケ-ﾌﾞﾙ	CABLE 1	MAZAK	CABLE W243	W243	1	1																
HA005E		iC	66	D7137202432	イジ' キンケ-ﾌﾞﾙ	CABLE 1	MAZAK	CABLE W243	W243						1	1											
			67	-																							
HA005E		UC	68	D7137202632	イジ' キンケ-ﾌﾞﾙ	CABLE 1	MAZAK	CABLE W263	W263	1	1																
HA005E		UC	69	D7137252632	イジ' キンケ-ﾌﾞﾙ	CABLE 1	MAZAK	CABLE W263	W263					1	1												
			70	D7137202652	イジ' キンケ-ﾌﾞﾙ	CABLE 1	MAZAK	CABLE W265	W265					1													
			71	D7137252652	イジ' キンケ-ﾌﾞﾙ	CABLE 1	MAZAK	CABLE W265	W265							1											
			72	D71372A2651	イジ' キンケ-ﾌﾞﾙ	CABLE 1	MAZAK	CABLE W265	W265	1	1					1											
			73	-																							
			74	D7137202761	イジ' キンケ-ﾌﾞﾙ	CABLE 1	MAZAK	CABLE W276	W276	1	1																
			75	D7137252761	イジ' キンケ-ﾌﾞﾙ	CABLE 1	MAZAK	CABLE W276	W276						1	1											
			76	-																							
			77	D7137202801	イジ' キンケ-ﾌﾞﾙ	CABLE 1	MAZAK	CABLE W280	W280	1	1																
			78	D7137252801	イジ' キンケ-ﾌﾞﾙ	CABLE 1	MAZAK	CABLE W280	W280						1	1											
			79	-																							
HA005E		PA	80	D7137222250	イジ' キンケ-ﾌﾞﾙ	CABLE 1	MAZAK	CABLE W225	W225	1	1																

変更NO	出図NO	識 認	NO	部品番号	部品和	PARTS-NAME	材質	メーカー名	型式	名称補助	A	B	C	D	E	F	G	H	J	K	L	M	N	P	Q	製コ	ラシ
HA005E		PA	81	D7137212260	ｲﾝｼﾞｷｬﾝｹｰﾌﾞﾙ	CABLE 1		MAZAK	CABLE W226	W226			1														
HA005E		PA	82	D71372A2260	ｲﾝｼﾞｷｬﾝｹｰﾌﾞﾙ	CABLE 1		MAZAK	CABLE W226	W226	1	1															
HA005E		PA	83	D7137222290	ｲﾝｼﾞｷｬﾝｹｰﾌﾞﾙ	CABLE 1		MAZAK	CABLE W229	W229			1														

機種分類 : 3720 / INTEGEX 100Ⅲ / F0 / EARTH LEAKAGE BREAKER

変更NO	出図NO	識区	ユニットNO	ユニット仕様	対応組図	対応組図	対応組図	対応組図	対応組図	関連変番
HA002E		UA A	73724000100	INTE100Ⅲstd/T/S/ST SPEC. [JPN]						
HA002E		UA B	73724000200	INTE100Ⅲstd/T/S/ST SPEC. [YMC]						
HA002E		UA C	73724000300	INTE100Ⅲstd/T/S/ST SPEC. [YME]						
HA002E		UA D	73724000400	INTE100Ⅲstd/T/S/ST SPEC. [OTH EXCEPT 380-415V]						
HA002E		UA E	73724000500	INTE100Ⅲstd/T/S/ST SPEC. [OTH 380-415V]						

変更NO	出図NO	識 認 NO	部品番号	部品和	PARTS-NAME	材質	メーカー名	型式	名称補助	A	B	C	D	E	F	G	H	J	K	L	M	N	P	Q	製コ	ランク	
			1D51FA010380	レ-カ	LEAKAGE BRAKER		FUJI	EG203B/150A TL	QF1	1																C	
			2D51FA011390	レ-カ	LEAKAGE BRAKER		FUJI	EG203B/225A TL	QF1		1			1													C
			3D51FA007370	レ-カ	LEAKAGE BRAKER		FUJI	SG103B/100A CO TL	QF1			1															C
			4D51FA010360	レ-カ	LEAKAGE BRAKER		FUJI	EG103B/100A CO TL	QF1					1													C
			11D51FA015060	レ-カ	NO FUSE BRAKER		FUJI	EA203B/150A F=AC100V	QF1	-1																	C
			12D51FA011070	レ-カ	NO FUSE BRAKER		FUJI	EA203B/225A F=AC100V	QF1		-1			-1													C
			13D51FA015070	レ-カ	NO FUSE BRAKER		FUJI	SA103BA/100A F=AC100V	QF1			-1															C
			14D51FA015100	レ-カ	NO FUSE BRAKER		FUJI	EA103B/100A F=AC100V	QF1																		C

機種分類 : 3720 / INTEGEX 100 III / F1 / オプション ケーラント1

変更NO	出図NO	識区	ユニットNO	ユニット仕様	対応組図	対応組図	対応組図	対応組図	対応組図	関連変番
HA002E		UC A	7372F100102	SPINDLE THROUGH COOLANT [JPN]						
HA002E		UC B	7372F100202	SPINDLE THROUGH COOLANT [YMC]						
HA002E		UC C	7372F100302	SPINDLE THROUGH COOLANT [YME]						
HA002E		UC D	7372F100402	CONSEP 2000 II COOLANT (EXCEPT SHOWER COOLANT SPEC) [JPN]						
HA002E		UC E	7372F100502	CONSEP 2000 II COOLANT (EXCEPT SHOWER COOLANT SPEC) [YMC]						
HA002E		UC F	7372F100602	CONSEP 2000 II COOLANT (EXCEPT SHOWER COOLANT SPEC) [YME]						
		G	7372F100700	15kgf COOLANT [JPN]						
		H	7372F100800	15kgf COOLANT [YMC]						
		J	7372F100900	15kgf COOLANT [YME]						
HA002E		UA K	7372F101000	WORK WASH COOLANT [JPN]						
HA002E		UA L	7372F101100	WORK WASH COOLANT [YMC]						

変更NO	出図NO	識区	ユニットNO	ユニット仕様	対応組図	対応組図	対応組図	対応組図	対応組図	関連変番
HA002E		UA M	7372F101200	WORK WASH COOLANT [YME]						
HA002E		UA P	7372F101300	SHOWER COOLANT (INCLUDE SHOWER + CONSEP 2000 II SPEC) [JPN]						
HA002E		UA Q	7372F101400	SHOWER COOLANT (INCLUDE SHOWER + CONSEP 2000 II SPEC) [YMC]						
HA002E		UA R	7372F101500	SHOWER COOLANT (INCLUDE SHOWER + CONSEP 2000 II SPEC) [YME]						

変更NO	出図NO	識 認	NO	部品番号	部品和	PARTS-NAME	材質	メーカー名	型式	名称補助	A	B	C	D	E	F	G	H	J	K	L	M	N	P	Q	備考
			1	D51FA006480	ノース・ブレーカ	NO FUSE BRAKER		FUJI	EA33/20A W	QF5	1	1	1	1	1	1					1	1	1	1	1	D
			2	D51FA007820	ターミナルカバー	TERMINAL COVER		FUJI	BZ-TS10B-503	QF5	1	1	1	1	1	1						1	1	1	1	
			3-																							
			4	D01FA054420	マグネティックスターター	MAGNETIC STARTIET		FUJI	SW-03/2E 2.8-4. 2A AC100V	KM19/304	1	1	1	1	1	1					1	1	1			C
HA002E	PA		5	D01FA054440	マグネティックスターター	MAGNETIC STARTIET		FUJI	SW-03/2E 5-8A AC100V 1a	KM304													1	1	1	
			6	D01FA055090	ターミナルカバー	TERMINAL COVER		FUJI	SZ-T1	KM19/304		1	1	1	1	1							1		1	
			7	D53FA003910	ターミナルカバー	TERMINAL COVER		FUJI	SZ-T12	KM19/304		1	1	1	1	1							1		1	
			8	D01FA054480	ターミナルカバー	TERMINAL COVER		FUJI	SZ-JW1	KM19/304		1	1	1	1	1							1		1	
			9	D43Z001700	スパークキラー	SPARK KILLER		MISSIN	SQZ50503F	Z19/304	1	1	1	1	1	1					1	1	1	1	1	D
			10	D43Z001711	スパークキラー	SPARK KILLER		MISSIN	SQ11201FL	Z1019/1304	1	1	1	1	1	1					1	1	1	1	1	D
			11-																							
			12	D01FA054440	マグネティックスターター	MAGNETIC STARTIET		FUJI	SW-03/2E 5-8A AC100V 1a	KM13								-1	-1	-1						C
			13	D01FA060500	マグネティックスターター	MAGNETIC STARTIET		FUJI	SW-4-1/2E 9-13A AC100V 1	KM13								1	1	1						C
			14-																							
			15	D01FA055090	ターミナルカバー	TERMINAL COVER		FUJI	SZ-T1	KM13																
			16	D53FA003910	ターミナルカバー	TERMINAL COVER		FUJI	SZ-T12	KM13																
			17	D01FA054480	ターミナルカバー	TERMINAL COVER		FUJI	SZ-JW1	KM13																
			18	D01FA057510	ターミナルカバー	TERMINAL COVER		FUJI	SZ-T3	KM13																
			19	D53FA003920	ターミナルカバー	TERMINAL COVER		FUJI	SZ-T13	KM13																
			20	D01FA059170	ターミナルカバー	TERMINAL COVER		FUJI	SZ-JW3	KM13																
			21-																							
			22	D7137201100	パンナイプ	CONTROL CABLE		MAZAK	CABLE W110	制	1	1	1	1	1	1					1	1	1			
HA001E	iC		23	D7137201111	パンナイプ	CONTROL CABLE		MAZAK	CABLE W111	制																
			24-																							
HA001E	iC		25	D7137201411	パンナイプ	CONTROL CABLE		MAZAK	CABLE W141	制	1	1	1	1	1	1					1	1	1			
HA001E	iC		26	D7137201421	パンナイプ	CONTROL CABLE		MAZAK	CABLE W142	制																
			27-																							
			28	D7137208430	パンナイプ	CONTROL CABLE		MAZAK	CABLE W843	制																
			29	D7137208440	パンナイプ	CONTROL CABLE		MAZAK	CABLE W844	制	1	1	1	1	1	1					1	1	1			
			30-																							
HA001E	iC		31	D7137208511	パンナイプ	CONTROL CABLE		MAZAK	CABLE W851	制	1	1	1	1	1	1					1	1	1	1	1	
			32-																							
			33	D7137208610	パンナイプ	CONTROL CABLE		MAZAK	CABLE W861	制	1	1	1	1	1	1					1	1	1	1	1	
			34-																							
			35	D7137208900	パンナイプ	CONTROL CABLE		MAZAK	CABLE W890	制	1	1	1	1	1	1					1	1	1			
HA001E	iC		36	D7137208911	パンナイプ	CONTROL CABLE		MAZAK	CABLE W891	制																
			37-																							
			38-																							
			39-																							
HA002E	PA		40	D7137202440	ワイヤコントロール	CABLE 1		MAZAK	CABLE W244	W244											1	1	1			

変更NO	出図NO	識区	ユニットNO	ユニット仕様	対応組図	対応組図	対応組図	対応組図	対応組図	関連変番
HA002E		UC A	7372F400102	2nd. SPINDLE SPEC. [JPN] (0.001 SPEC.)						
HA002E		UC B	7372F400202	2nd. SPINDLE SPEC. [YMC] (0.001 SPEC.)						
HA002E		UC C	7372F400302	2nd. SPINDLE SPEC. [YME] (0.001 SPEC.)						
HA002E		UC D	7372F400402	2nd. SPINDLE SPEC. [JPN] (C-AXIS SPEC.)						
HA002E		UC E	7372F400502	2nd. SPINDLE SPEC. [YMC] (C-AXIS SPEC.)						
HA002E		UC F	7372F400602	2nd. SPINDLE SPEC. [YME] (C-AXIS SPEC.)						

変更NO	出図NO	識 認	NO	部品番号	部品和	PARTS-NAME	材質	メーカー名	型式	名称補助	A	B	C	D	E	F	G	H	J	K	L	M	N	P	Q	型コラン
HA001E		PA		1D7137201470	部品和 ハンナケーブル	CABLE 1		MAZAK	CABLE W148	W148	1	1	1	1	1	1										
			2-																							
HA001E		iC	3	D7137202543	イチジ キャンケ-ブル	CABLE 1		MAZAK	CABLE W254	W254	1	1	1	1	1	1										
HA002E		iC	4	D7137202582	イチジ キャンケ-ブル	CABLE 1		MAZAK	CABLE W258	W258	1	1	1	1	1	1										
HA002E		iC	5	D7137202592	イチジ キャンケ-ブル	CABLE 1		MAZAK	CABLE W259	W259	1	1	1	1	1	1										
			6-																							
HA001E		iC	7	D7137202661	イチジ キャンケ-ブル	CABLE 1		MAZAK	CABLE W266	W266	1	1	1	1	1	1										
			8	D7137202670	イチジ キャンケ-ブル	CABLE 1		MAZAK	CABLE W267	W267	1	1	1	1	1	1										
HA001E		PD	9	D7137202680	イチジ キャンケ-ブル	CABLE 1		MAZAK	CABLE W268	W268																
			10-																							
HA001E		iC	11	D7137202772	イチジ キャンケ-ブル	CABLE 1		MAZAK	CABLE W277	W277	1	1	1	1	1	1										
			12-																							
HA001E		iC	13	D7137203011	イチジ キャンケ-ブル	CABLE 1		MAZAK	CABLE W301	W301																
			14-																							
			15-																							
			16-																							
			17-																							

機種分類 : 372 / INTEGEX 100Ⅲ / F5 / GL I/F

変更NO	出図NO	識区	ユニットNO	ユニット仕様	対応組図	対応組図	対応組図	対応組図	対応組図	関連変番
HA005E	EA016E	UA A	7372F500101	100Ⅲ SPEC. JPN (EXCEPT OP. M-CODE SPEC)						
HA005E	EA016E	UA B	7372F500201	100Ⅲ SPEC. YMC (EXCEPT OP. M-CODE SPEC)						
HA005E		C	7372F500301	100Ⅲ SPEC. YME (EXCEPT OP. M-CODE SPEC)						
HA005E	EA016E	UC D	7372F500401	100ⅢS SPEC. JPN (EXCEPT OP. M-CODE SPEC)						
HA005E	EA016E	UC E	7372F500501	100ⅢS SPEC. YMC (EXCEPT OP. M-CODE SPEC)						
HA005E		UC F	7372F500601	100ⅢS SPEC. YME (EXCEPT OP. M-CODE SPEC)						
HA005E	EA016E	UC G	7372F500701	100ⅢST SPEC. JPN (EXCEPT OP. M-CODE SPEC)						
HA005E	EA016E	UC H	7372F500801	100ⅢST SPEC. YMC (EXCEPT OP. M-CODE SPEC)						
HA005E		UC J	7372F500901	100ⅢST SPEC. YME (EXCEPT OP. M-CODE SPEC)						
HA005E	EA016E	UC K	7372F501001	100Ⅲ SPEC. JPN (WITH OP. M-CODE SPEC)						
HA005E	EA016E	UC L	7372F501101	100Ⅲ SPEC. YMC (WITH OP. M-CODE SPEC)						

変更NO	出図NO	識区	ユニットNO	ユニット仕様	対応組図	対応組図	対応組図	対応組図	対応組図	関連変番
HA005E		UC M	7372F501201	100Ⅲ SPEC. YME (WITH OP. M-CODE SPEC)						
HA005E	EA016E	UC N	7372F501301	100ⅢS/ST SPEC. JPN (WITH OP. M-CODE SPEC)						
HA005E	EA016E	UC P	7372F501401	100ⅢS/ST SPEC. YMC (WITH OP. M-CODE SPEC)						
HA005E		UC Q	7372F501501	100ⅢS/ST SPEC. YME (WITH OP. M-CODE SPEC)						

変更NO	出図NO	識 認 NO	部品番号	部品和	PARTS-NAME	材質	メーカ名	型式	名称補助	A	B	C	D	E	F	G	H	J	K	L	M	N	P	Q	製コ	ラシク
			1D51FA006490	ノ-ヒューズ' プレ-カ	NO FUSE BREAKER		FUJI	EA33-30A W	QF15	1	1	1	1	1	1	1	1	1	1	1	1	1	1	1	1	C
			2D51FA007820	ターミナル' イ カハ-	TERMINAL COVER		FUJI	BZ-TS10B-503	QF15	0	1	1	0	1	1	0	1	1	0	1	1	1	0	1	1	C
			3D99YG991521	ブ'ラケツト	BRAKECT		MAZAK	ZL2P*3																		
			7D51MB010590	サーキツト' プロテクタ	CIRCUIT PROTECTOR		MATSUSHITA	BAC11-150-5	QF16	1	1	1	1	1	1	1	1	1	1	1	1	1	1	1	1	C
YS			8D51MB006050	ターミナル' イ カハ-	TERMINAL COVER		MATSUSHITA	BAC-9001 (1SET)	QF16	0	1	1	0	1	1	0	1	1	0	1	1	1	0	1	1	C
			9D70HK005890	フ'ンセ' ヲモジ' ュ-ル	SAFETY MODULE			SRU-YM11	U2			1														C
			10D70HK005880	フ'ンセ' ヲモジ' ュ-ル	SAFETY MODULE			SRU-YM10	U2			-1			-1							-1				C
			11D01FA059230	サ'ブ コンタク	SUB CONTACT		FUJI	SZ-A20	KM100			1										1				C
			12D53FA005810	ターミナル' カハ-	TERMINAL COVER		FUJI	SZ-T6	KM100			1										1				C
HA005E		PD	15-																							
HA005E		PD	16-																							
			17D7137200650	パ'ンナイ' ケ-ブ' ル	CONTROL BOX CABLE		MAZAK	CABLE W65	制	1	1	1	1	1	1											
			18D7137210650	パ'ンナイ' ケ-ブ' ル	CONTROL BOX CABLE		MAZAK	CABLE W65	制							1	1	1								
			19D7137220650	パ'ンナイ' ケ-ブ' ル	CONTROL BOX CABLE		MAZAK	CABLE W65	制											1	1	1	1	1	1	1
HA005E		iC	20D7137200661	パ'ンナイ' ケ-ブ' ル	CONTROL BOX CABLE		MAZAK	CABLE W66	制	1	1	1	1	1	1	1	1	1	1	1	1	1	1	1	1	1
HA005E		iC	21D7137200671	パ'ンナイ' ケ-ブ' ル	CONTROL BOX CABLE		MAZAK	CABLE W67	制	1	1	1	1	1	1	1	1	1	1	1	1	1	1	1	1	1
HA005E		iC	22D7137200681	パ'ンナイ' ケ-ブ' ル	CONTROL BOX CABLE		MAZAK	CABLE W68	制	1	1	1	1	1	1	1	1	1	1	1	1	1	1	1	1	1
			23D7137200690	パ'ンナイ' ケ-ブ' ル	CONTROL BOX CABLE		MAZAK	CABLE W69	制			1														
			24D7137200700	パ'ンナイ' ケ-ブ' ル	CONTROL BOX CABLE		MAZAK	CABLE W70	制			1														
			25D7137200710	パ'ンナイ' ケ-ブ' ル	CONTROL BOX CABLE		MAZAK	CABLE W71	制			1														
			26D7137210710	パ'ンナイ' ケ-ブ' ル	CONTROL BOX CABLE		MAZAK	CABLE W71	制	1	1	1	1	1	1	1	1	1	1	1	1	1	1	1	1	1
			27D7137200720	パ'ンナイ' ケ-ブ' ル	CONTROL BOX CABLE		MAZAK	CABLE W72	制	1	1	1	1	1	1	1	1	1	1	1	1	1	1	1	1	1
			28D7137200920	パ'ンナイ' ケ-ブ' ル	CONTROL BOX CABLE		MAZAK	CABLE W92	制	1	1	1	1	1	1	1	1	1	1	1	1	1	1	1	1	1
			29-																							
			30D7137212010	イ'ンジ' キ'ヤ'ン' ケ-ブ' ル	CABLE 1		MAZAK	CABLE W201	W201	1	1	1														
			31D7137262010	イ'ンジ' キ'ヤ'ン' ケ-ブ' ル	CABLE 1		MAZAK	CABLE W201	W201			1	1	1	1	1	1	1	1	1	1	1	1	1	1	1
			32D7137202012	イ'ンジ' キ'ヤ'ン' ケ-ブ' ル	CABLE 1		MAZAK	CABLE W201	W201	-1	-1	-1														
			33D7137252012	イ'ンジ' キ'ヤ'ン' ケ-ブ' ル	CABLE 1		MAZAK	CABLE W201	W201				-1	-1	-1	-1	-1	-1	-1	-1	-1	-1	-1	-1	-1	-1
HA005E		PC	34D7137212250	イ'ンジ' キ'ヤ'ン' ケ-ブ' ル	CABLE 1		MAZAK	CABLE W225	W225			1	1	1	1	1	1	1	1	1	1	1	1	1	1	1
HA005E		PA	35D7137202252	イ'ンジ' キ'ヤ'ン' ケ-ブ' ル	CABLE 1		MAZAK	CABLE W225	W225				-1	-1	-1	-1	-1	-1	-1	-1	-1	-1	-1	-1	-1	-1
HA005E		PA	36D7137232250	イ'ンジ' キ'ヤ'ン' ケ-ブ' ル	CABLE 1		MAZAK	CABLE W225	W225	1	1	1														
HA005E		PA	37D7137222250	イ'ンジ' キ'ヤ'ン' ケ-ブ' ル	CABLE 1		MAZAK	CABLE W225	W225	-1	-1	-1														
HA005E		iC	40D7137202381	イ'ンジ' キ'ヤ'ン' ケ-ブ' ル	CABLE 1		MAZAK	CABLE W238	W238	1	1	1	1	1	1	1	1	1	1	1	1	1	1	1	1	1

変更NO	出図NO	識区	ユニットNO	ユニット仕様	対応組図	対応組図	対応組図	対応組図	対応組図	関連変番
HA002E		UA A	7372F700100	BACK SIDE CHIP CONVEYOR & 100III [JPN]						
HA002E		UA B	7372F700200	BACK SIDE CHIP CONVEYOR & 100III [YMC]						
HA002E		UA C	7372F700300	BACK SIDE CHIP CONVEYOR & 100III [YME]						
HA004E		UC D	7372F700401	BACK SIDE CHIP CONVEYOR & 100III S [JPN]						
HA004E		UC E	7372F700501	BACK SIDE CHIP CONVEYOR & 100III S [YMC]						
HA004E		UC F	7372F700601	BACK SIDE CHIP CONVEYOR & 100III S [YME]						
HA004E		UD G	7372F700700	BACK SIDE CHIP CONVEYOR & 100III T [JPN]						
HA004E		UD H	7372F700800	BACK SIDE CHIP CONVEYOR & 100III T [YMC]						
HA004E		UD J	7372F700900	BACK SIDE CHIP CONVEYOR & 100III T [YME]						
HA004E		UC K	7372F701001	BACK SIDE CHIP CONVEYOR & 100III ST [JPN]						
HA004E		UC L	7372F701101	BACK SIDE CHIP CONVEYOR & 100III ST [YMC]						

変更NO	出図NO	識区	ユニットNO	ユニット仕様	対応組図	対応組図	対応組図	対応組図	対応組図	関連変番
HA004E		UC M	7372F701201	ユニット仕様 BACK SIDE CHIP CONVEYOR & 100ⅢST [YME]						
HA002E		UA N	7372F701301	100Ⅲ (NOT BACK SIDE CHIP CONVEYOR) [JPN/YMC/YME]						
HA004E		UD P	7372F701400	100ⅢT (NOT BACK SIDE CHIP CONVEYOR) [JPN/YMC/YME]						

変更NO	出図NO	識認NO	部品番号	部品名	PARTS-NAME	材質	メーカー名	型式	名称補助	A	B	C	D	E	F	G	H	J	K	L	M	N	P	Q	製コ ラウ
			1D51FA006480	ブレーキレール	NO FUSE BRAKER		FUJI	EA33/20A W	QF5					1	1	1									D
			2D51FA007820	ターミナルカバー	TERMINAL COVER		FUJI	BZ-TS10B-503	QF5						1	1									
			3-																						
			40D01FA054440	マグネティックスターター	MAGNETIC STARTIET		FUJI	SW-03/2E 5-8A AC100V 1a	KM73	1	1									1	1	1			C
			41D01FA054380	マグネティックスターター	MAGNETIC STARTIET		FUJI	SW-03/2E 0.95-1.45A AC10	KM73	-1	-1	-1								-1	-1	-1			
			42D01FA055090	ターミナルカバー	TERMINAL COVER		FUJI	SZ-T1	KM73																
			43D53FA003910	ターミナルカバー	TERMINAL COVER		FUJI	SZ-T12	KM73																
			44D01FA054480	ターミナルカバー	TERMINAL COVER		FUJI	SZ-JW1	KM73																
			45D43ZZ001700	スパークキラー	SPARK KILLER		NISSIN	SQ250503F	Z73					1	1	1									D
			46D43ZZ001711	スパークキラー	SPARK KILLER		NISSIN	SQ111201FL	Z173					1	1	1									D
			47-																						
HA004E		PA	48D7137201201	コントロールケーブル	CONTROL CABLE		MAZAK	CABLE W120	制					1	1	1									
HA004E		PC	49D7137201461	コントロールケーブル	CONTROL CABLE		MAZAK	CABLE W146	制											1	1	1			
			50D7137201431	コントロールケーブル	CONTROL CABLE		MAZAK	CABLE W143	制																
			51D7137208491	コントロールケーブル	CONTROL CABLE		MAZAK	CABLE W849	制																
			52D7137208511	コントロールケーブル	CONTROL CABLE		MAZAK	CABLE W851	制																
			53D7137208610	コントロールケーブル	CONTROL CABLE		MAZAK	CABLE W861	制																
HA004E		PA	56D04TC000100	リレー	RELAY		OMRON	LY2 DC24V	KA35/67/15					1	1	1									
HA004E		PA	57D04TC001900	ソケット	SOCKET		OMRON	PTF08A-E	KA35/67/15					1	1	1									
HA004E		PA	58D04TC001170	ホルダー	HOLDER		OMRON	PYC-A1 LY2E7	KA35/67/15					1	1	1									
HA004E		PA	59D34TA001540	ダイオード	DIODE		TOSHIBA	S5277G	KA35/67/15					1	1	1									

機種分類 : 3720 / INTEGEX 100III

/ F9 / MAGAZINE

変更NO	出図NO	識区	ユニットNO	ユニット仕様	対応組図	対応組図	対応組図	対応組図	対応組図	関連変番
005E		UA A	7372F900100	80 TOOLS MAGAZINE 100III SPEC. [JPN]						
005E		UA B	7372F900200	80 TOOLS MAGAZINE 100III SPEC. [YMC]						
005E		UA C	7372F900300	80 TOOLS MAGAZINE 100III SPEC. [YME]						
005E		UA D	7372F900400	80 TOOLS MAGAZINE 100III SPEC. [JPN]						
005E		UA E	7372F900500	80 TOOLS MAGAZINE 100III SPEC. [YMC]						
005E		UA F	7372F900600	80 TOOLS MAGAZINE 100III SPEC. [YME]						
005E		UA G	7372F900700	80 TOOLS MAGAZINE 100III ST SPEC. [JPN]						
005E		UA H	7372F900800	80 TOOLS MAGAZINE 100III ST SPEC. [YMC]						
005E		UA J	7372F900900	80 TOOLS MAGAZINE 100III ST SPEC. [YME]						

変更NO	出図NO	識認NO	部品番号	部品和	PARTS-NAME	材質	メーカー名	型式	名称補助	A	B	C	D	E	F	G	H	J	K	L	M	N	P	Q	製コ ラシク
			1																						
			2	D72MA008400	1ｼﾞｸｶｰｰｯﾄﾞﾗｲﾊﾞ	SERVO DRIVER		MRJ2-40CT	A32	(-1)	(-1)	(-1)	(-1)	(-1)	(-1)	(-1)	(-1)	(-1)	(-1)						C
			3	D72MA008430	1ｼﾞｸｶｰｰｯﾄﾞﾗｲﾊﾞ	SERVO DRIVER		MRJ2-100CT	A41	(1)	(1)	(1)	(1)	(1)	(1)	(1)	(1)	(1)	(1)						C
			4	D80MA008490	BATTERY	BATTERY		MR-BAT		(1)	(1)	(1)	(1)	(1)	(1)	(1)	(1)	(1)	(1)						C
			5	D51FA008480	ﾌｰｰｽﾞﾌﾞﾚｰｶ	NO FUSE BRAKER		EA33/20A W	QF23	1	1	1	1	1	1	1	1	1	1						C
			6	D51FA007820	ﾀｰﾐﾅﾙｶﾊﾞｰ	TERMINAL COVER		BZ-TS10B-503	QF23	1	1	1	1	1	1	1	1	1	1						C
			7	D01FA054560	ﾏｸﾞﾈｯｼﾞｯｸｺﾝﾀｸﾀ	MAGNETIC CONTACTOR		SC-4-0 100V 1A	KM6	1	1	1	1	1	1	1	1	1	1						C
			8	D01FA057510	ﾀｰﾐﾅﾙｶﾊﾞｰ	TERMINAL COVER		SZ-T3	KM6	1	1	1	1	1	1	1	1	1	1						C
			9	D43Z001711	ｽﾊﾟｰｸｷﾗｰ	SPARK KILLER		SQ11120TFL	Z106	1	1	1	1	1	1	1	1	1	1						
			10	-																					
			26	D7137200500	ﾊﾞﾝﾅｲ ｹｰﾌﾞﾙ	CONTROL BOX CABLE	MAZAK	CABLE W050	制	1	1	1	1	1	1	1	1	1	1						
			27	D7137200510	ﾊﾞﾝﾅｲ ｹｰﾌﾞﾙ	CONTROL BOX CABLE	MAZAK	CABLE W051	制	1	1	1	1	1	1	1	1	1	1						
			28	-																					
			29	-																					
			30	-																					
			31	D7137200540	ﾊﾞﾝﾅｲ ｹｰﾌﾞﾙ	CONTROL BOX CABLE	MAZAK	CABLE W054	制	1	1	1	1	1	1	1	1	1	1						
			32	D7137200550	ﾊﾞﾝﾅｲ ｹｰﾌﾞﾙ	CONTROL BOX CABLE	MAZAK	CABLE W055	制	1	1	1	1	1	1	1	1	1	1						
			33	-																					
			34	D7137218530	ﾊﾞﾝﾅｲ ｹｰﾌﾞﾙ	CONTROL BOX CABLE	MAZAK	CABLE W853	制	1	1	1	1	1	1	1	1	1	1						
			35	D7137288530	ﾊﾞﾝﾅｲ ｹｰﾌﾞﾙ	CONTROL BOX CABLE	MAZAK	CABLE W853	制	1	1	1	1	1	1	1	1	1	1						
			36	D7137288530	ﾊﾞﾝﾅｲ ｹｰﾌﾞﾙ	CONTROL BOX CABLE	MAZAK	CABLE W853	制	1	1	1	1	1	1	1	1	1	1						
			37	D71372J8530	ﾊﾞﾝﾅｲ ｹｰﾌﾞﾙ	CONTROL BOX CABLE	MAZAK	CABLE W853	制	1	1	1	1	1	1	1	1	1	1						
			38	D7137238530	ﾊﾞﾝﾅｲ ｹｰﾌﾞﾙ	CONTROL BOX CABLE	MAZAK	CABLE W853	制	1	1	1	1	1	1	1	1	1	1						
			39	D71372D8530	ﾊﾞﾝﾅｲ ｹｰﾌﾞﾙ	CONTROL BOX CABLE	MAZAK	CABLE W853	制	1	1	1	1	1	1	1	1	1	1						
			40	D7137208530	ﾊﾞﾝﾅｲ ｹｰﾌﾞﾙ	CONTROL BOX CABLE	MAZAK	CABLE W853	制	1	1	1	1	1	1	1	1	1	1						
			41	D7137278531	ﾊﾞﾝﾅｲ ｹｰﾌﾞﾙ	CONTROL BOX CABLE	MAZAK	CABLE W853	制	1	1	1	1	1	1	1	1	1	1						
			42	D71372A8530	ﾊﾞﾝﾅｲ ｹｰﾌﾞﾙ	CONTROL BOX CABLE	MAZAK	CABLE W853	制	1	1	1	1	1	1	1	1	1	1						
			43	D71372H8530	ﾊﾞﾝﾅｲ ｹｰﾌﾞﾙ	CONTROL BOX CABLE	MAZAK	CABLE W853	制	1	1	1	1	1	1	1	1	1	1						
			44	D7137228530	ﾊﾞﾝﾅｲ ｹｰﾌﾞﾙ	CONTROL BOX CABLE	MAZAK	CABLE W853	制	1	1	1	1	1	1	1	1	1	1						
			45	D71372C8530	ﾊﾞﾝﾅｲ ｹｰﾌﾞﾙ	CONTROL BOX CABLE	MAZAK	CABLE W853	制	1	1	1	1	1	1	1	1	1	1						

機種分類 : 3720 / INTEGEX 100III

/ G0 / フリップコンパア

変更NO	出図NO	識区	ユニットNO	ユニット仕様	対応組図	対応組図	対応組図	対応組図	対応組図	関連変番
HA001E		UC A	7372G000101	CONSEP2000 II (60Hz)						
HA001E		UC B	7372G000201	CONSEP2000 II (50Hz)						

変更NO	出図NO	識 認	NO	部品番号	部品和	PARTS-NAME	材質	メーカー名	型式	名称補助	A	B	C	D	E	F	G	H	I	J	K	L	M	N	P	Q	製 コ	ラ
HA001E		PC		1 D01FA054390	マグネティックスターター	MAGNETIC STARTER		FUJI	SW-03/2E 1.4-2.2A AC100V	KMT4		1																C
HA001E		PC		2 D01FA054380	マグネティックスターター	MAGNETIC STARTER		FUJI	SW-03/2E 0.95-1.45A AC10	KMT4	1																	C
				3 D01FA054350	マグネティックスターター	MAGNETIC STARTER		FUJI	SW-03/2E 0.48-0.72A AC10	KMT4	-1	-1																C
				4-																								

変更NO	出図NO	識 認	NO	部品番号	部品和	PARTS-NAME	材質	メーカー名	型式	名称補助	A	B	C	D	E	F	G	H	J	K	L	M	N	P	Q	製 コ ランク	
				1D51FA006470	ノヒューズブレーカ	NO FUSE BREAKER		FUJI	EA33/10A W	QF10	1	1	1													D	
				2D51FA007820	ターミナルカバー	TERMINAL COVER		FUJI	BZ-TS10B-503	QF10			1														
				3-																							
		YZ		4D43PA000520	スパークキラー	SPARK KILLER		OKAYA	3CRH30330	Z7			1														D
				5D72MA008960	リモートI/Oカード	REMORT I/O CARD		MITSUBISHI	HR371	AP27	1	1	1														C
				6D70UB005870	PCB ハネ	PCB		UNION	YSJ-655	AP27	1	1	1														C
				7-																							
		PA		8D71372A0760	パンチケーブル	CONTROL CABLE		MAZAK	CABLE W76		1	1															
		PA		9D71372A0770	パンチケーブル	CONTROL CABLE		MAZAK	CABLE W77		1	1															
				10D71372E0770	パンチケーブル	CONTROL CABLE		MAZAK	CABLE W77																		
		PA		11D71372A0780	パンチケーブル	CONTROL CABLE		MAZAK	CABLE W78				1														
				12D71372E0780	パンチケーブル	CONTROL CABLE		MAZAK	CABLE W78																		
		PA		13D71372A0790	パンチケーブル	CONTROL CABLE		MAZAK	CABLE W79		1																
				14D71372E0790	パンチケーブル	CONTROL CABLE		MAZAK	CABLE W79																		
				15-																							
				16D7137200850	パンチケーブル	CONTROL CABLE		MAZAK	CABLE W85		1	1	1														
HA001E		iC		17D7137200861	パンチケーブル	CONTROL CABLE		MAZAK	CABLE W86					1													
HA001E		iC		18D7137270861	パンチケーブル	CONTROL CABLE		MAZAK	CABLE W86																		
HA001E		iC		19D7137200871	パンチケーブル	CONTROL CABLE		MAZAK	CABLE W87					1													
HA001E		iC		20D7137270871	パンチケーブル	CONTROL CABLE		MAZAK	CABLE W87																		
				21D7137200880	パンチケーブル	CONTROL CABLE		MAZAK	CABLE W88		1	1	1														
HA001E		iC		22D7137200891	パンチケーブル	CONTROL CABLE		MAZAK	CABLE W89					1													
				23-																							
				24D7137200900	パンチケーブル	CONTROL CABLE		MAZAK	CABLE W90					1													
HA001E		iC		25D7137200911	パンチケーブル	CONTROL CABLE		MAZAK	CABLE W91					1													
				26D7137200920	パンチケーブル	CONTROL CABLE		MAZAK	CABLE W92		1	1	1														
				27-																							
				28-																							

機種分類 : 3720 / INTEGEX 100III

/ G4B / パーファイナ

変更NO	出図NO	識区	ユニットNO	ユニット仕様	対応組図	対応組図	対応組図	対応組図	対応組図	関連変番
		UC A	7372G402101	IKURA BARFEEDER (S TYPE) [I/ST SPEC.]						
		UC B	7372G402201	ALPS BARFEEDER [I/ST SPEC.]						
HA001E		UC C	7372G402301	YME BARFEEDER [I/ST SPEC.]						

変更NO	出図NO	識 認	NO	部品番号	部品和	PARTS-NAME	材質	メーカー名	型式	名称補助	A	B	C	D	E	F	G	H	J	K	L	M	N	P	Q	製コ	ラフ		
				1D51FA006470	ノース・ブレイカ	NO FUSE BREAKER		FUJII	EA33/10A W	QF10	1	1	1														D		
				2D51FA007820	ターミナルカバー	TERMINAL COVER		FUJII	BZ-TS10B-503	QF10				1															
				3-																									
		YZ		4D43PA000520	スパークキラー	SPARK KILLER		OKAYA	3CRH30330	Z7				1														D	
				5D72MA008960	リモートI/Oカード	REMOTE I/O CARD		MITSUBISHI	HR371	AP27	1	1	1															C	
				6D70UB005870	PCB ハン社	PCB		UNION	YSJ-655	AP27	1	1	1															C	
				7-																									
		PA		8D71372A0760	ハンタイケーブル	CONTROL CABLE		MAZAK	CABLE W76	制	1	1																	
				9D71372A0770	ハンタイケーブル	CONTROL CABLE		MAZAK	CABLE W77	制																			
		PA		10D71372E0770	ハンタイケーブル	CONTROL CABLE		MAZAK	CABLE W77	制	1	1																	
				11D71372A0780	ハンタイケーブル	CONTROL CABLE		MAZAK	CABLE W78	制																			
		PA		12D71372E0780	ハンタイケーブル	CONTROL CABLE		MAZAK	CABLE W78	制				1															
				13D71372A0790	ハンタイケーブル	CONTROL CABLE		MAZAK	CABLE W79	制																			
		PA		14D71372E0790	ハンタイケーブル	CONTROL CABLE		MAZAK	CABLE W79	制	1																		
				15-																									
				16D7137200850	ハンタイケーブル	CONTROL CABLE		MAZAK	CABLE W65	制	1	1	1																
HA001E		iC		17D7137200861	ハンタイケーブル	CONTROL CABLE		MAZAK	CABLE W66	制																			
HA001E		iC		18D7137270861	ハンタイケーブル	CONTROL CABLE		MAZAK	CABLE W66	制				1															
HA001E		iC		19D7137200871	ハンタイケーブル	CONTROL CABLE		MAZAK	CABLE W67	制																			
HA001E		iC		20D7137270871	ハンタイケーブル	CONTROL CABLE		MAZAK	CABLE W67	制				1															
				21D7137200880	ハンタイケーブル	CONTROL CABLE		MAZAK	CABLE W68	制	1	1	1																
HA001E		iC		22D7137200891	ハンタイケーブル	CONTROL CABLE		MAZAK	CABLE W69	制				1															
				23-																									
				24D7137200900	ハンタイケーブル	CONTROL CABLE		MAZAK	CABLE W90	制				1															
HA001E		iC		25D7137200911	ハンタイケーブル	CONTROL CABLE		MAZAK	CABLE W91	制				1															
				26D7137200920	ハンタイケーブル	CONTROL CABLE		MAZAK	CABLE W92	制	1	1	1																
				27-																									
				28-																									

機種分類 : 3720 / INTEGEX 100Ⅲ

/ G5A / CHUCK OPTION

変更NO	出図NO	識区	ユニットNO	ユニット仕様	対応組図	対応組図	対応組図	対応組図	対応組図	関連変番
		A	7372G500100	-						
		B	7372G500200	-						
		UA C	7372G500300	CHUCK AIR BLOW						
HA005E		UA D	7372G500400	CHUCK AIR BLOW WITH GL						
		E	7372G500500	-						
HA005E		UC F	7372G500601	2nd. SPINDLE CHUCK PRESS. SELECT JPN/YMC						
HA005E		UA G	7372G500700	2nd. SPINDLE CHUCK PRESS. SELECT YME						

変更NO	出図NO	識 認	NO	部品番号	部品和	PARTS-NAME	材質	メーカー名	型式	名称補助	A	B	C	D	E	F	G	H	I	J	K	L	M	N	P	Q	製コ	ラウ
				1	D7137202390	イチジキカンケーブル	CABLE 1	MAZAK	CABLE W239	W239			1															
HA005E		PA		2	D7137212391	イチジキカンケーブル	CABLE 1	MAZAK	CABLE W239	W239				1														
HA002E		PA		3	D7137202461	イチジキカンケーブル	CABLE 1	MAZAK	CABLE W246	W246						1	1											
				4																								

機種分類 : 3720 / INTEGEX 100Ⅲ

/ G6 / ワーク計測

変更NO	出図NO	識区	ユニットNO	ユニット仕様	対応組図	対応組図	対応組図	対応組図	対応組図	対応組図	関連変番
		A	7372G600100	WORK MESURMENT							

変更NO	出図NO	識	認	NO	部品番号	部品和	PARTS-NAME	材質	メーカー名	型式	名称補助	A	B	C	D	E	F	G	H	I	J	K	L	M	N	P	Q	製コ	ラソ
			YS	1	D041C000100	リレ	RELAY		OMRON	LY2 DC24V	KA226	1																	B
			YS	2	D041C001900	リレソケット	RELAY SOCKET		OMRON	PTF08A-E	KA226	1																	
			YS	3	D041C001170	リレ補助	RELAY HOLDER		OMRON	PYC-A1	KA226	1																	
			YS	4	D341A001540	ダイオード	DIODE		TOSHIBA	SS277G	KA226	1																	D
				5		M112インターフェイスユニット	M112 I/F UNIT		RENISHAW	M112	A16	(1)																	C
				6																									
				7	D7137200750	ハンタイ ケーブル	CONTROL BOX CABLE		MAZAK	CABLE W75		1																	
				8																									
				9	D7137201850	ハンタイ ケーブル	CONTROL BOX CABLE		MAZAK	CABLE W185		1																	
				10																									

機種分類 : 3720 / INTEGEX 100Ⅲ

/ G7 / ツールアイ

変更NO	出図NO	識区	ユニットNO	ユニット仕様	対応組図	対応組図	対応組図	対応組図	対応組図	関連変番
HA003E		UC A	7372G700103	TOOL EYE						

変更NO	出図NO	識 認	NO	部品番号	部品和	PARTS-NAME	材質	メーカー名	型式	名称補助	A	B	C	D	E	F	G	H	J	K	L	M	N	P	Q	製コ ラフク
HA001E		iC		1 D7137202341	イフジ キンケ-プ'ル	CABLE 1		MAZAK	CABLE W234	W234			1													
HA001E		iC		2 D7137212341	イフジ キンケ-プ'ル	CABLE 1		MAZAK	CABLE W234	W234	1															
HA005E		PA		3 D7137222341	イフジ キンケ-プ'ル	CABLE 1		MAZAK	CABLE W234	W234				1												
HA005E		PA		4 D7137232340	イフジ キンケ-プ'ル	CABLE 1		MAZAK	CABLE W234	W234			1													
				5-																						

機種分類 : 3720 / INTEGEX 100Ⅲ

/ G9 / ワークコンベア

変更NO	出図NO	識区	ユニットNO	ユニット仕様	対応組図	対応組図	対応組図	対応組図	対応組図	関連変番
HA005E		UC A	7372G900101	WORK CONVEYOR						

変更NO	出図NO	識 認	NO	部品番号	部品和	PARTS-NAME	材質	メーカー名	型式	名称補助	A	B	C	D	E	F	G	H	I	J	K	L	M	N	P	Q	変コラシク		
		YS	1	D04TC000100	リレ-	RELAY		OMRON	LY2 DC24V	KA84	1																B		
		YS	2	D04TC001900	ソケット	SOCKET		OMRON	PTF08A-E	KA84	1																		
		YS	3	D04TC001170	ホルダ*	HOLDER		OMRON	PYC-A1 LY237	KA84	1																		
		YS	4	D34TA001540	ダイオード	DIODE		TOSHIBA	SS277G	KA84	1																	D	
			5	D43ZZ001711	スパークキラー	SPARK KILLER		NISSIN	SQ11120TFL	Z72	1																	D	
HA005E		PA	6	D7137200730	パンチケージ	CONTROL BOX CABLE		MAZAK	CABLE W73	W73	1																		
HA005E		PA	7	D7137200740	パンチケージ	CONTROL BOX CABLE		MAZAK	CABLE W74	W74	1																		
HA005E		PA	8	D7137201790	パンチケージ	CONTROL BOX CABLE		MAZAK	CABLE W179	W179	1																		

機種分類 : 3720 / INTEGEX 100Ⅲ

/ H0 / AUTO POWER ON/OFF, WARM UP

変更NO	出図NO	識区	ユニットNO	ユニット仕様	対応組図	対応組図	対応組図	対応組図	対応組図	関連変番
HA005E		UC A	7372H000101	AUTO POWER ON/OFF, WARM UP S/ST SPEC						
HA005E		UA B	7372H000200	AUTO POWER ON/OFF, WARM UP TAIL SPEC						

変更NO	出図NO	識認	NO	部品番号	部品和	PARTS-NAME	材質	メーカー名	型式	名称補助	A	B	C	D	E	F	G	H	J	K	L	M	N	P	Q	製コ	ラシク		
			1	D06TC001710	カレンダタイマ	CALENDER TIMER		OMRON	H5L-A Y92A-96A		1	1															C		
			2																										
		YS	3	D04TC000010	リレー	RELAY		OMRON	G2A432A DC24V	KA46	1	1															C		
		YZ	4	D04TC001890	リレーソケット	RELAY SOCKET		OMRON	PYF14A-E	KA46	1	1															C		
		YZ	5	D04TC001180	リレーホルダ	RELAY HOLDER		OMRON	PYC-A2	KA46	1	1															C		
		YS	6	D34TA001540	ダイオード	DIODE		TOSHIBA	S5277G	KA46	1	1															C		
			7																										
			8	D7137201160	パナイクネーブル	CONTROL BOX CABLE		MAZAK	CABLE W116	W116	1	1																	
			9	D7137201170	パナイクネーブル	CONTROL BOX CABLE		MAZAK	CABLE W117	W117	1	1																	
			10																										
HA005E		iC	11	D7137202361	イチジキコネクタ	CABLE 1		MAZAK	CABLE W236	W236	1																		
HA005E		iC	12	D7137202371	イチジキコネクタ	CABLE 1		MAZAK	CABLE W237	W237	1																		
HA005E		PA	13	D7137212360	イチジキコネクタ	CABLE 1		MAZAK	CABLE W236	W236		1																	
HA005E		PA	14	D7137212370	イチジキコネクタ	CABLE 1		MAZAK	CABLE W237	W237		1																	

変更NO	出図NO	識 認	NO	部品番号	部品和	PARTS-NAME	材質	メーカー名	型式	名称補助	A	B	C	D	E	F	G	H	J	K	L	M	N	P	Q	型コ	ラック		
			1																										
		YS	3	D04TC00010	RELAY	RELAY		OMRON	G2A-432A DC24V 1A	KA95	1	1	1														C		
		YZ	4	D04TC001890	RELAY SOCKET	RELAY SOCKET		OMRON	PYF14A-E	KA95	1	1	1															C	
		YZ	5	D04TC001180	RELAY HOLDER	RELAY HOLDER		OMRON	PYC-A2	KA95	1	1	1															C	
		YS	6	D34TA001540	ダイオード	DIODE		TOSHIBA	SS277G	KA95	1	1	1															C	
			7	D070MB007400	フォトエリレー	PHOTO MOS RELAY		MATSUSHITA	AQZ102D	KA96	1	1	1															C	
			8	D070MB007410	ターミナルレ	TERMINAL RELAY		MATSUSHITA	AY30000	KA96	1	1	1																C
			9	D30NF002220	抵抗	RESISTOR		NIHON TEIKO	2.2KΩ 1/2W	R10	1	1	1																C
			10	D7137200802	ハンダイ ケーブル	CONTROL BOX CABLE		MAZAK	CABLE W080	W080	1	1	1																
			11	D7137200810	ハンダイ ケーブル	CONTROL BOX CABLE		MAZAK	CABLE W081	W081	1	1	1																
			12	D7137212291	イチジキカン ケーブル	CONTROL BOX CABLE 1		MAZAK	CABLE W229	W229	1	1	1																
			13	D71372D2290	イチジキカン ケーブル	CONTROL BOX CABLE 1		MAZAK	CABLE W229	W229																			
			14	D7137222381	イチジキカン ケーブル	CONTROL BOX CABLE 1		MAZAK	CABLE W238	W238	1	1	1																
			16	D7137202880	イチジキカン ケーブル	CONTROL BOX CABLE 1		MAZAK	CABLE W288	W288	1	1	1																
			18	D7137202890	イチジキカン ケーブル	CONTROL BOX CABLE 1		MAZAK	CABLE W289	W289	1	1	1																
			20	D7137212290	イチジキカン ケーブル	CONTROL BOX CABLE 1		MAZAK	CABLE W229	W229		-1																	
			21	D7137232290	イチジキカン ケーブル	CONTROL BOX CABLE 1		MAZAK	CABLE W229	W229					-1														

変更NO	出図NO	織	認	NO	部品番号	部品和	PARTS-NAME	材質	メーカー名	型式	名称補助	A	B	C	D	E	F	G	H	J	K	L	M	N	P	Q	製	コ	ラ	ン
					1	D7137200830	ハンタイケーブル	CONTROL CABLE		MAZAK	CABLE W83	制	1	1	1															
					2	D713720830	ハンタイケーブル	CONTROL CABLE		MAZAK	CABLE W83	制																		
HA001E		iC			3	D7137200841	ハンタイケーブル	CONTROL CABLE		MAZAK	CABLE W84	制	1	1	1															
HA001E		iC			4	D713720841	ハンタイケーブル	CONTROL CABLE		MAZAK	CABLE W84	制																		
					5-																									
					6	D7137208940	ハンタイケーブル	CONTROL CABLE		MAZAK	CABLE W894	制	1	1	1															
					7-																									
					8-																									
					9-																									
					10-																									

変更NO	出図NO	識 認	NO	部品番号	部品和	PARTS-NAME	材質	メーカー名	型式	名称補助	A	B	C	D	E	F	G	H	J	K	L	M	N	P	Q	製コ	ラフ
				1	D7137200830	パンナイターブル	CONTROL CABLE		MAZAK	CABLE W83	制																
				2	D7137270830	パンナイターブル	CONTROL CABLE		MAZAK	CABLE W83	制	1	1	1													
HA001E		iC		3	D7137200841	パンナイターブル	CONTROL CABLE		MAZAK	CABLE W84	制																
HA001E		iC		4	D7137270841	パンナイターブル	CONTROL CABLE		MAZAK	CABLE W84	制	1	1	1													
				5-																							
				6	D7137208940	パンナイターブル	CONTROL CABLE		MAZAK	CABLE W894	制	1	1	1													
				7-																							
				8-																							
				9-																							
				10-																							

機種分類 : 3720 / INTEGEX 100Ⅲ

/ H7 / オイルスキマ

変更NO	出図NO	識区	ユニットNO	ユニット仕様	対応組図	対応組図	対応組図	対応組図	対応組図	関連変番
HA002E		UC A	7372H700102	OIL SKIMER [JPN]						
HA002E		UC B	7372H700202	OIL SKIMER [YMC]						
HA002E		UC C	7372H700302	OIL SKIMER [YME]						

変更NO	出図NO	識 認	NO	部品番号	部品和	PARTS-NAME	材質	メーカー名	型式	名称補助	A	B	C	D	E	F	G	H	J	K	L	M	N	P	Q	製コ	ラシカ
HA002E		PC		1 D01FA054310	マグネティックスターター	MAGNETIC STARTET		FUJI	SW-03/2E 0.1-0.15A AC100	KM81	1	1	1													C	
				2 D01FA055090	ターミナルカバー	TERMINAL COVER		FUJI	SZ-T1	KM81			1														
				3 D53FA003910	ターミナルカバー	TERMINAL COVER		FUJI	SZ-T12	KM81			1														
				4 D01FA054480	ターミナルカバー	TERMINAL COVER		FUJI	SZ-JW1	KM81			1														
				5 D43ZZ001700	スパークキラー	SPARK KILLER		NISSIN	SQ250503F	Z81	1	1	1													D	
				6 D43ZZ001711	スパークキラー	SPARK KILLER		NISSIN	SQ11120TFL	Z181	1	1	1														D
				7-																							
HA001E		iC		8 D7137201451	ハンナイケーブ ル	CONTROL CABLE		MAZAK	CABLE W145	制	1	1	1														
				9-																							
				10 D7137201970	ハンナイケーブ ル	CONTROL CABLE		MAZAK	CABLE W197	制	1	1	1														
				11-																							
				12 D7137208920	ハンナイケーブ ル	CONTROL CABLE		MAZAK	CABLE W892	制	1	1	1														
				13-																							
				14-																							
				15-																							

機種分類 : 3720 / INTEGREGX 100III

/ H8A / ミストコレクタ

変更NO	出図NO	識区	ユニットNO	ユニット仕様	対応組図	対応組図	対応組図	対応組図	対応組図	対応組図	関連変番
		UC A	7372H800101	MIST COLLECTOR[JPN] (STD/S SPEC.)							
		UC B	7372H800201	MIST COLLECTOR[YMC] (STD/S SPEC.)							
HA001E		UC C	7372H800301	MIST COLLECTOR[YME] (STD/S SPEC.)							

変更NO	出図NO	織	認 NO	部品番号	部品和	PARTS-NAME	材質	メーカー名	型式	名称補助	A	B	C	D	E	F	G	H	J	K	L	M	N	P	Q	製	口	ラ	シ	
HA001E		PC		1D01FA054390	マグネティックターク	MAGNETIC STARTET		FUJI	SW-03/2E 1.4-2.2A AC100V	KM70	1	1	1																C	
				2D01FA055090	ターミナルカバー	TERMINAL COVER		FUJI	SZ-T1	KM70			1																	
				3D53FA003910	ターミナルカバー	TERMINAL COVER		FUJI	SZ-T12	KM70			1																	
				4D01FA054480	ターミナルカバー	TERMINAL COVER		FUJI	SZ-JW1	KM70			1																	
				5D43ZZ001700	スパークキラー	SPARK KILLER		NISSIN	SQ250503F	Z70	1	1	1																D	
				6D43ZZ001711	スパークキラー	SPARK KILLER		NISSIN	SQ11120TFL	Z170	1	1	1																D	
				7-																										
			YZ	8D04TC000020	リレー	RELAY		OMRON	G2A-432A AC100V 1a	KA70	1	1	1																B	
			YZ	9D04TC001890	ソケット	SOCKET		OMRON	PYF14A-E	KA70	1	1	1																	
			YZ	10D04TC001180	ホルダー	HOLDER		OMRON	PYC-A2 G2A37	KA70	1	1	1																	
				11D43ZZ001711	スパークキラー	SPARK KILLER		NISSIN	SQ11120TFL	Z171	1	1	1																D	
				12-																										
HA001E		iC		13D7137200641	ハンダイケーブル	CONTROL CABLE		MAZAK	CABLE W64	制	1	1	1																	
HA001E		iC		14D7137270641	ハンダイケーブル	CONTROL CABLE		MAZAK	CABLE W64	制																				
				15-																										
HA001E		iC		16D7137201121	ハンダイケーブル	CONTROL CABLE		MAZAK	CABLE W112	制	1	1	1																	
				17-																										
HA001E		iC		18D7137208681	ハンダイケーブル	CONTROL CABLE		MAZAK	CABLE W868	制	1	1	1																	
				19-																										
				20-																										

機種分類 : 3720 / INTEGEX 100Ⅲ

/ H8B / ミストコレクタ

変更NO	出図NO	識区	ユニットNO	ユニット仕様	対応組図	対応組図	対応組図	対応組図	対応組図	関連変番
		UC A	7372H802101	MIST COLLECTOR[JPN] (T/ST SPEC.)						
		UC B	7372H802201	MIST COLLECTOR[YMC] (T/ST SPEC.)						
HA001E		UC C	7372H802301	MIST COLLECTOR[YME] (T/ST SPEC.)						

変更NO	出図NO	識 認 NO	部品番号	部品和	PARTS-NAME	材質	メーカー名	型式	名称補助	A	B	C	D	E	F	G	H	J	K	L	M	N	P	Q	製コラシカ	
HA001E		PC	1 D01FA054390	マグ ネットスイッチ	MAGNETIC STARTET		FUJI	SW-03/ZE 1.4-2.2A AC100V	KM70	1	1	1													C	
			2 D01FA055090	ターミナルカバー	TERMINAL COVER		FUJI	SZ-T1	KM70			1														
			3 D53FA003910	ターミナルカバー	TERMINAL COVER		FUJI	SZ-T12	KM70			1														
			4 D01FA054480	ターミナルカバー	TERMINAL COVER		FUJI	SZ-JW1	KM70			1														
			5 D43ZZ001700	スパークキラー	SPARK KILLER		NISSIN	SQ250503F	Z70	1	1	1														D
			6 D43ZZ001711	スパークキラー	SPARK KILLER		NISSIN	SQ11120TFL	Z170	1	1	1														D
			7 -																							
		YZ	8 D04TC000020	リレー	RELAY		OMRON	G2A-432A AC100V 1a	KA70	1	1	1														B
		YZ	9 D04TC001890	ソケット	SOCKET		OMRON	PYF14A-E	KA70	1	1	1														
		YZ	10 D04TC001180	ホルダー	HOLDER		OMRON	PYC-A2 G2A3φ	KA70	1	1	1														
			11 D43ZZ001711	スパークキラー	SPARK KILLER		NISSIN	SQ11120TFL	Z171	1	1	1														D
			12 -																							
HA001E		IC	13 D7137200641	パンチケーブル	CONTROL CABLE		MAZAK	CABLE W64	制																	
HA001E		IC	14 D7137270641	パンチケーブル	CONTROL CABLE		MAZAK	CABLE W64	制	1	1	1														
			15 -																							
HA001E		IC	16 D7137201121	パンチケーブル	CONTROL CABLE		MAZAK	CABLE W112	制	1	1	1														
			17 -																							
HA001E		IC	18 D7137208681	パンチケーブル	CONTROL CABLE		MAZAK	CABLE W868	制	1	1	1														
			19 -																							
			20 -																							

機種分類 : 3721 / INTEGEX 100III / J2 / 35K COOLANT

変更NO	出図NO	識区	ユニットNO	ユニット仕様	対応組図	対応組図	対応組図	対応組図	対応組図	関連変番
HA004E		UA A	7372J200100	35K COOLANT (JPN)						
HA004E		UA B	7372J200200	35K COOLANT (YMC)						
HA004E		UA C	7372J200300	35K COOLANT (YME)						
HA004E		UA E	7372J200400	35K COOLANT (JPN) WITH TURRET2 COOLANT VALVE SPEC						
HA004E		UA F	7372J200500	35K COOLANT (YMC) WITH TURRET2 COOLANT VALVE SPEC						
HA004E		UA G	7372J200600	35K COOLANT (YME) WITH TURRET2 COOLANT VALVE SPEC						

変更NO	出図NO	識 認 NO	部品番号	部品和	PARTS-NAME	材質	メーカー名	型式	名称補助	A	B	C	D	E	F	G	H	J	K	L	M	N	P	Q	製コ	ラシカ	
			1 D51FA006480	ノーブレスブレーカ	NO FUSE BREAKERR		FUJI	EA33A/20W	QF27	1	1	1	1	1	1											D	
			2 D51FA007820	アソビソケット	SAFETY COVER		FUJI	BZ-TS108-503	QF27	1	1	1	1	1	1												D
			3 D01FA054440	マグネチックスタータ	MAGNETIC STARTER		FUJI	SW-03/2E 5-8A ヲサAC100V	KM62	1	1	1	1	1	1												D
			4 -																								
			5 D01FA055090	アソビソケット	SAFETY COVER		FUJI	SZ-T1	KM62	0	0	1	0	0	1												D
			6 D53FA003910	アソビソケット	SAFETY COVER		FUJI	SZ-T12	KM62	0	0	1	0	0	1												D
			7 D01FA054480	アソビソケット	SAFETY COVER		FUJI	SZ-UW1	KM62	0	1	0	0	1	0												D
			8 D43ZZ001700	スパークキラー	SPARK KILLER		NISSIN	S0250530F	Z62	1	1	1	1	1	1												C
			9 D43ZZ001711	スパークキラー	SPARK KILLER		NISSIN	S01120TFL	Z162	1	1	1	1	1	1												C
			10 -																								
YS			11 D04TC000100	リレー	RELAY		OMRON	LY2 DC24V 10A	KA98	1	1	1	1	1	1												B
			12 D04TC000190	リレーソケット	RELAY SOCKET		OMRON	PTF08A-E	KA98	1	1	1	1	1	1												B
YS			13 D04TC001170	リレーホルダ	RELAY HOLDER		OMRON	PYG-A1 LY2EH	KA98	1	1	1	1	1	1												B
YS			14 D34TA001540	ダイオード	DIODE		TOSHIBA	S5277G	KA98	1	1	1	1	1	1												C
			15 -																								
			16 D7137201130	ハンダイケープル	CONTROL BOX CABLE		MAZAK	WT13	WT13	1	1	1	1	1	1												
			17 D7137201140	ハンダイケープル	CONTROL BOX CABLE		MAZAK	WT14	WT14	1	1	1	1	1	1												
			18 D7137201150	ハンダイケープル	CONTROL BOX CABLE		MAZAK	WT15	WT15	1	1	1	1	1	1												
			19 D7137201180	ハンダイケープル	CONTROL BOX CABLE		MAZAK	WT18	WT18	1	1	1	1	1	1												
			20 D59S0260120	ダクト	WIRING DUCT		IKAI	ID-26 /ID-25-60-L (L=120)		2	2	2	2	2	2												C
			21 D59DAV40220	レール	RALE		TOYO	DIN RAIL DAV4 (L=220)		1	1	1	1	1	1												C
YS			22 D56YG001530	アースバー	EARTH BAR		MAZAK	65X20XT5		1	1	1	1	1	1												C
			23 D64ND008370	ホルダラック	HOLE PLUG		NIPPON FLE	HW-16PA		1	1	1	1	1	1												C
			24 D99YC991521	ブラケット	BRACKET		MAZAK	ZL2P*3		1	1	1	1	1	1												
			25 D7137201320	ハンダイケープル	CONTROL BOX CABLE		MAZAK	CABLE WT132	WT132	1	1	1	1	1	1												
			26 D7137210250	ハンダイケープル	CONTROL BOX CABLE		MAZAK	W25	W25	1	1	1	1	1	1												
			27 D7137200251	ハンダイケープル	CONTROL BOX CABLE		MAZAK	W25	W25	-1	-1	-1	-1	-1	-1												-1
			29 D7137211460	ハンダイケープル	CONTROL BOX CABLE		MAZAK	WT146	WT146	1	1	1	1	1	1												
			30 D7137201461	ハンダイケープル	CONTROL BOX CABLE		MAZAK	WT146	WT146				-1	-1	-1												

機種分類 : 3720 / INTEGEX 100Ⅲ

/ J3 / MAGNUM COOLANT

変更NO	出図NO	識区	ユニットNO	ユニット仕様	対応組図	対応組図	対応組図	対応組図	対応組図	関連変番
HA004E		UA A	7372J300100	MAGNUM COOLANT JPN [100ⅢS WITHOUT BACK SIDE CHIP CONV.]						
HA004E		UA B	7372J300200	MAGNUM COOLANT YMC [100ⅢS WITHOUT BACK SIDE CHIP CONV.]						
HA004E		UA C	7372J300300	MAGNUM COOLANT YME [100ⅢS WITHOUT BACK SIDE CHIP CONV.]						
HA004E		UA D	7372J300400	MAGNUM COOLANT JPN [100ⅢS WITH BACK SIDE CHIP CONV.]						
HA004E		UA E	7372J300500	MAGNUM COOLANT YMC [100ⅢS WITH BACK SIDE CHIP CONV.]						
HA004E		UA F	7372J300600	MAGNUM COOLANT YME [100ⅢS WITH BACK SIDE CHIP CONV.]						
HA004E		UA G	7372J300700	MAGNUM COOLANT JPN [100Ⅲ/ST WITHOUT BACK SIDE CHIP CONV.]						
HA004E		UA H	7372J300800	MAGNUM COOLANT YMC [100Ⅲ/ST WITHOUT BACK SIDE CHIP CONV.]						
HA004E		UA J	7372J300900	MAGNUM COOLANT YME [100Ⅲ/ST WITHOUT BACK SIDE CHIP CONV.]						
HA004E		UA K	7372J301000	MAGNUM COOLANT JPN [100Ⅲ/ST WITH BACK SIDE CHIP CONV.]						
HA004E		UA L	7372J301100	MAGNUM COOLANT YMC [100Ⅲ/ST WITH BACK SIDE CHIP CONV.]						

変更NO	出図NO	識区	ユニットNO	ユニット仕様	対応組図	対応組図	対応組図	対応組図	対応組図	関連変番
HA004E		UA M	7372J301200	MAGNUM COOLANT YME [100III/ST WITH BACK SIDE CHIP CONV.]						

変更NO	出図NO	職 認 NO	部品番号	部品和	PARTS-NAME	材質	メーカー名	型式	名称補助	A	B	C	D	E	F	G	H	J	K	L	M	N	P	Q	製 作 年 月
			1D51FA006490	ノーフューズブレーカ	NO FUSE BREAKER		FUJI	EA33/30AW	QF11	1	1	1	1	1	1	1	1	1	1	1	1	1	1		
			2D51FA007820	アークシールド	SAFTY COVER		FUJI	BZ-TS10B-503	QF11	1	1	1	1	1	1	1	1	1	1	1	1	1	1		
YS			7D04TC000100	リレー	RELAY		OMRON	LY2 DC24V	KA14	1	1	1	1	1	1	1	1	1	1	1	1	1	1		
YS			8D04TC001900	リレーソケット	RELAY SOCKET		OMRON	PTF08A-E	KA14	1	1	1	1	1	1	1	1	1	1	1	1	1	1		
YS			9D04TC001170	リレーホルダ	RELAY HOLDER		OMRON	PYC-A1	KA14	1	1	1	1	1	1	1	1	1	1	1	1	1	1		
YS			10D34TA001540	ダイオード	DIODE		TOSHIBA	S5277G	KA14	1	1	1	1	1	1	1	1	1	1	1	1	1	1		
			11D01FA054440	マグネティックスターター	MAGNETIC STARTIET		FUJI	SW-03/2E 5-8A AC100V 1A	KM73	1	1	1	1	1	1	1	1	1	1	1	1	1	1		
			12D01FA055090	ターミナルカバー	TERMINAL COVER		FUJI	SZ-T1	KM73	1	1	1	1	1	1	1	1	1	1	1	1	1	1		
			13D53FA003910	ターミナルカバー	TERMINAL COVER		FUJI	SZ-T12	KM73	1	1	1	1	1	1	1	1	1	1	1	1	1	1		
			14D01FA054480	ターミナルカバー	TERMINAL COVER		FUJI	SZ-JW1	KM73	1	1	1	1	1	1	1	1	1	1	1	1	1	1		
			15D43ZZ001700	スパークキラー	SPARK KILLER		NISSIN	SQ250503F	Z73	1	1	1	1	1	1	1	1	1	1	1	1	1	1		
			16D43ZZ001711	スパークキラー	SPARK KILLER		NISSIN	SQ111201FL	Z1073	1	1	1	1	1	1	1	1	1	1	1	1	1	1		
			17D01FA054380	マグネティックスターター	MAGNETIC STARTIET		FUJI	SW-03/2E 0.95-1.45A AC10	KM73				-1	-1	-1	-1	-1	-1	-1	-1					
			18D51FA006480	ノーフューズブレーカ	NO FUSE BREAKER		FUJI	EA33/20AW	QF5	1	1	1	1	1	1	1	1	1	1	1	1	1	1		
			19D51FA007820	アークシールド	SAFTY COVER		FUJI	BZ-TS10B-503	QF5	1	1	1	1	1	1	1	1	1	1	1	1	1	1		
			20D59S0260120	ダクト	WIRING DUCT		IKAI	ID-26 / ID-25-60-L (L=120)	QF5	2	2	2	2	2	2	2	2	2	2	2	2	2	2		C
			21D59DAV40220	レール	RALE		TOYO	DIN RAIL DAV4 (L=220)		1	1	1	1	1	1	1	1	1	1	1	1	1	1		C
YS			22D56Y0001530	アースバー	EARTH BAR		MAZAK	65X20XT5		1	1	1	1	1	1	1	1	1	1	1	1	1	1		C
			23D64ND008370	ホールのプラグ	HOLE PLUG		NIPPON FLE	MK-16PA		1	1	1	1	1	1	1	1	1	1	1	1	1	1		C
			24D99YC991521	ブラケット	BRACKET		MAZAK	ZL2P*3		1	1	1	1	1	1	1	1	1	1	1	1	1	1		C
			25D7137201320	パナイクネーブル	CONTROL BOX CABLE		MAZAK	CABLE W132	W132	1	1	1	1	1	1	1	1	1	1	1	1	1	1		
			26D7137210250	パナイクネーブル	CONTROL BOX CABLE		MAZAK	CABLE W25	W25	1	1	1	1	1	1	1	1	1	1	1	1	1	1		
			27D7137200251	パナイクネーブル	CONTROL BOX CABLE		MAZAK	CABLE W25	W25	-1	-1	-1	-1	-1	-1	-1	-1	-1	-1	-1	-1	-1	-1		
			29D7137211460	パナイクネーブル	CONTROL BOX CABLE		MAZAK	CABLE W146	W146	1	1	1	1	1	1	1	1	1	1	1	1	1	1		
			30D7137201461	パナイクネーブル	CONTROL BOX CABLE		MAZAK	CABLE W146	W146	1	1	1	1	1	1	1	1	1	1	1	1	1	1		
			31D7137208511	パナイクネーブル	CONTROL BOX CABLE		MAZAK	CABLE W851	W851	1	1	1	1	1	1	1	1	1	1	1	1	1	1		
			32D7137208610	パナイクネーブル	CONTROL BOX CABLE		MAZAK	CABLE W861	W861	1	1	1	1	1	1	1	1	1	1	1	1	1	1		
			33D7137278491	パナイクネーブル	CONTROL BOX CABLE		MAZAK	CABLE W849	W849	1	1	1	1	1	1	1	1	1	1	1	1	1	1		
			34D7137201431	パナイクネーブル	CONTROL BOX CABLE		MAZAK	CABLE W143	W143	1	1	1	1	1	1	1	1	1	1	1	1	1	1		
			35D7137201200	パナイクネーブル	CONTROL BOX CABLE		MAZAK	CABLE W120	W120	1	1	1	1	1	1	1	1	1	1	1	1	1	1		
			36																						
			37D7137201280	パナイクネーブル	CONTROL BOX CABLE		MAZAK	CABLE W128	W128	1	1	1	1	1	1	1	1	1	1	1	1	1	1		
			38D7137201290	パナイクネーブル	CONTROL BOX CABLE		MAZAK	CABLE W129	W129	1	1	1	1	1	1	1	1	1	1	1	1	1	1		
			39D7137201300	パナイクネーブル	CONTROL BOX CABLE		MAZAK	CABLE W130	W130	1	1	1	1	1	1	1	1	1	1	1	1	1	1		
			40D7137201310	パナイクネーブル	CONTROL BOX CABLE		MAZAK	CABLE W131	W131	1	1	1	1	1	1	1	1	1	1	1	1	1	1		
			44D7137203050	イネジネジネジネジ	CABLE 1		MAZAK	CABLE W305	W305	1	1	1	1	1	1	1	1	1	1	1	1	1	1		
			45D7137203060	イネジネジネジネジ	CABLE 1		MAZAK	CABLE W306	W306	1	1	1	1	1	1	1	1	1	1	1	1	1	1		
			46D7137213050	イネジネジネジネジ	CABLE 1		MAZAK	CABLE W305	W305	1	1	1	1	1	1	1	1	1	1	1	1	1	1		
			47D7137213060	イネジネジネジネジ	CABLE 1		MAZAK	CABLE W306	W306	1	1	1	1	1	1	1	1	1	1	1	1	1	1		

機種分類 : 3720 / INTEGEX 100Ⅲ

/ J4 / YMC HIGH COOLANT

変更NO	出図NO	識区	ユニットNO	ユニット仕様	対応組図	対応組図	対応組図	対応組図	対応組図	関連変番
HA004E		UA A	7372J400100	YMC HIGH COOLANT [100ⅢS WITHOUT BACK SIDE CHIP CONV.]						
HA004E		UA B	7372J400200	YMC HIGH COOLANT [100ⅢS WITH BACK SIDE CHIP CONV.]						
HA004E		UA C	7372J400300	YMC HIGH COOLANT [100Ⅲ/ST WITHOUT BACK SIDE CHIP CONV.]						
HA004E		UA D	7372J400400	YMC HIGH COOLANT [100Ⅲ/ST WITH BACK SIDE CHIP CONV.]						

変更NO	出図NO	識 認	NO	部品番号	部品和	PARTS-NAME	材質	メーカー名	型式	名称補助	A	B	C	D	E	F	G	H	J	K	L	M	N	P	Q	製コ	ラシ	
			1	D51FA006490	ノブエスアールカ	NO FUSE BREAKER		FUJI	EA33/30AW	QF26	1	1	1	1														
			2	D51FA007820	アベツカ	SAFTY COVER		FUJI	BZ-TS10B-503	QF26	1	1	1	1														
			4	D72MA008490	リモート I/Oカード	REMOTE I/O CARD		MITSUBISHI	HR371	AP31	1	1	1	1														
			5	D65UB0004770	プリント基板アセンブリ	PCB ASSEMBLY		UNION ELEC	YS-667	AP31	1	1	1	1														
			6	D99ZZ991400	SUPPORT	SUPPORT		MAZAK	FOR YS-667	AP31	4	4	4	4														
			7	D04TC002240	リレー	RELAY		OMRON	G6B-4BND DC24V	KAB5-88	1	1	1	1														
YZ			8	D04TC001740	ショートバ	SHORT BAR		OMRON	G6B-4-SB	KAB5-88	1	1	1	1														
			9																									
			10																									
			11	D01FA054440	マグネティックスターター	MAGNETIC STARTER		FUJI	SW-03/2E 5-8A AC100V 1A	KM73	1	1	1	1														
			12	D01FA055090	ターミナルカバー	TERMINAL COVER		FUJI	SZ-T1	KM73																		
			13	D53FA003910	ターミナルカバー	TERMINAL COVER		FUJI	SZ-T12	KM73																		
			14	D01FA054480	ターミナルカバー	TERMINAL COVER		FUJI	SZ-JW1	KM73	1																	
			15	D43ZZ001700	スパークキラー	SPARK KILLER		NISSIN	SQ250503F	Z73	1																	
			16	D43ZZ001711	スパークキラー	SPARK KILLER		NISSIN	SQ11120TFL	Z1073	1																	
			17	D01FA054380	マグネティックスターター	MAGNETIC STARTER		FUJI	SW-03/2E 0.95-1.45A AC10 KM73																			
			18	D51FA006480	ノブエスアールカ	NO FUSE BREAKER		FUJI	EA33/20AW	QF5	1																	
			19	D51FA007820	アベツカ	SAFTY COVER		FUJI	BZ-TS10B-503	QF5	1																	
			20	D59S0260120	ワイヤダクト	WIRING DUCT		IKAI	ID-26 /ID-25-60-L (L=120)		2	2	2	2														
			21	D59DAV40220	レール	RALE		TOYO	DIN RAIL DAV4 (L=220)		1	1	1	1														
YS			22	D56YG001530	アースバー	EARTH BAR		MAZAK	65X20X15		1	1	1	1														
			23	D64ND008370	ホルダ	HOLE PLUG		NIPPON FLE	HK-16PA		1	1	1	1														
			24	D99YG991521	ブラケット	BRACKET		MAZAK	ZL2P*3		1	1	1	1														
			25	D7137201320	ケーブル	CONTROL BOX CABLE		MAZAK	CABLE W132		1	1	1	1														
			26	D7137210250	ケーブル	CONTROL BOX CABLE		MAZAK	CABLE W25		1	1	1	1														
			27	D7137200251	ケーブル	CONTROL BOX CABLE		MAZAK	CABLE W25		-1	-1	-1	-1														
			29	D7137211460	ケーブル	CONTROL BOX CABLE		MAZAK	CABLE W146		1	1	1	1														
			30	D7137201461	ケーブル	CONTROL BOX CABLE		MAZAK	CABLE W146																			
			31	D7137208511	ケーブル	CONTROL BOX CABLE		MAZAK	CABLE W851		1																	
			32	D7137208610	ケーブル	CONTROL BOX CABLE		MAZAK	CABLE W861		1																	
			33	D7137278491	ケーブル	CONTROL BOX CABLE		MAZAK	CABLE W849		1																	
			34	D7137201431	ケーブル	CONTROL BOX CABLE		MAZAK	CABLE W143		1																	
			35	D7137201200	ケーブル	CONTROL BOX CABLE		MAZAK	CABLE W120		1																	
			36	D713720A3080	ケーブル	CABLE 1		MAZAK	CABLE W308		1	1	1	1														
			37	D7137201280	ケーブル	CONTROL BOX CABLE		MAZAK	CABLE W128		1	1	1	1														
			38	D7137201330	ケーブル	CONTROL BOX CABLE		MAZAK	CABLE W133		1	1	1	1														
			39	D7137201340	ケーブル	CONTROL BOX CABLE		MAZAK	CABLE W134		1	1	1	1														
			40	D7137201350	ケーブル	CONTROL BOX CABLE		MAZAK	CABLE W135		1	1	1	1														
			41	D7137201360	ケーブル	CONTROL BOX CABLE		MAZAK	CABLE W136		1	1	1	1														
			42	D7137201370	ケーブル	CONTROL BOX CABLE		MAZAK	CABLE W137		1	1	1	1														

機種分類 : 3720 / INTEGREGX 100III

/ J5 / YME HIGH COOLANT

変更NO	出図NO	識区	ユニットNO	ユニット仕様	対応組図	対応組図	対応組図	対応組図	対応組図	関連変番
HA004E		UA A	7372J500100	YME HIGH COOLANT						
HA004E		UA B	7372J500200	YME HIGH COOLANT WITH TURRET2 COOLANT VALVE SPEC						

変更NO	出図NO	識 認 NO	部品番号	部品和	PARTS-NAME	材質	メーカー名	型式	名称補助	A	B	C	D	E	F	G	H	J	K	L	M	N	P	Q	製コ	ラシ		
			1D51FA007180	ノフェスアールカ	NO FUSE BREAKER		FUJI	EAS3/40AW	QF30	1	1																	
			2D51FA007820	アセアガ	SAFETY COVER		FUJI	BZ-TS10B-503	QF30	1	1																	
			4D72MA008490	リモート I/Oカード	REMOTE I/O CARD		MITSUBISHI	HR371	AP29	1	1																	
			5D65UB0004770	プリント基板アセンブリ	PCB ASSEMBLY		UNION ELEC	YS-667	AP29	1	1																	
			6D99ZZ991400	SUPPORT	SUPPORT		MAZAK	FOR YS-667	AP29	4	4																	
		YZ	7D04TG001730	リレー	RELAY		OMRON	G6B-4BND DC24V	KAT001-4	1	1																	
		YZ	8D04TC001740	ショートバ	SHORT BAR		OMRON	G6B-4-SB	KAT001-4	1	1																	
			9-																									
			10-																									
			20D59S0260120	ダクト	WIRING DUCT		IKAI	ID-26 / ID-25-60-L (L=120)		2	2																C	
			21D59DAV40220	レール	RAIL		TOYO	DIN RAIL DAV4 (L=220)		1	1																	C
		YS	22D56YG001530	アースバ	EARTH BAR		MAZAK	65X20XT5		1	1																	C
			23D64ND008370	ホールのプラグ	HOLE PLUG		NIPPON FLE	MK-16PA		1	1																	C
			24D99YG991521	ブラケット	BRACKET		MAZAK	ZL2P*3		1	1																	
			25D7137201320	ハンタイケーブル	CONTROL BOX CABLE		MAZAK	CABLE W132	W132	1	1																	
			26D7137210250	ハンタイケーブル	CONTROL BOX CABLE		MAZAK	CABLE W25	W25	1	1																	
			27D7137200251	ハンタイケーブル	CONTROL BOX CABLE		MAZAK	CABLE W25	W25	-1	-1																	
			29D7137211460	ハンタイケーブル	CONTROL BOX CABLE		MAZAK	CABLE W146	W146	1	1																	
			30D7137201461	ハンタイケーブル	CONTROL BOX CABLE		MAZAK	CABLE W146	W146	1	1																	
			31D7137201210	ハンタイケーブル	CONTROL BOX CABLE		MAZAK	CABLE W121	W121	1	1																	
			32D7137201220	ハンタイケーブル	CONTROL BOX CABLE		MAZAK	CABLE W122	W122	1	1																	
			33D7137201230	ハンタイケーブル	CONTROL BOX CABLE		MAZAK	CABLE W123	W123	1	1																	
			34D7137201240	ハンタイケーブル	CONTROL BOX CABLE		MAZAK	CABLE W124	W124	1	1																	
			35D7137201250	ハンタイケーブル	CONTROL BOX CABLE		MAZAK	CABLE W125	W125	1	1																	
			36D7137201260	ハンタイケーブル	CONTROL BOX CABLE		MAZAK	CABLE W126	W126	1	1																	
			37D7137201270	ハンタイケーブル	CONTROL BOX CABLE		MAZAK	CABLE W127	W127	1	1																	

変更NO	出図NO	識 認	NO	部品番号	部品和	PARTS-NAME	材質	メーカー名	型式	名称補助	A	B	C	D	E	F	G	H	J	K	L	M	N	P	Q	製コ	ラシク
				1D72MA008410	1ｼﾞｸｶｰﾎﾞﾄﾞﾗｲﾊﾞ	SERVO DRIVER		mitsubishi	MR-J2-60GT	A29	1	1	1														
				2-																							
HA002E		iC		3D7137200421	ﾊﾞﾝﾅｲｸﾞｰﾌﾞﾙ	CONTROL CABLE		MAZAK	CABLE W42	制	-1	-1	-1														
HA002E		iC		4D7137220421	ﾊﾞﾝﾅｲｸﾞｰﾌﾞﾙ	CONTROL CABLE		MAZAK	CABLE W42	制	1	1	1														
				5-																							
				6D7137201470	ﾊﾞﾝﾅｲｸﾞｰﾌﾞﾙ	CONTROL CABLE		MAZAK	CABLE W147	制	1	1	1														
				7-																							
HA005E		PC		8D7137228530	ﾊﾞﾝﾅｲｸﾞｰﾌﾞﾙ	CONTROL CABLE		MAZAK	CABLE W853	制			1														
HA005E		PA		9D71372G8530	ﾊﾞﾝﾅｲｸﾞｰﾌﾞﾙ	CONTROL CABLE		MAZAK	CABLE W853	制	1	1	1														
HA001E		iC		10D7137202811	ｲｷﾝｼﾞｷｶﾝｸﾞｰﾌﾞﾙ	CABLE 1		MAZAK	CABLE W281	W281	1	1	1														
HA001E		iC		11D7137202821	ｲｷﾝｼﾞｷｶﾝｸﾞｰﾌﾞﾙ	CABLE 1		MAZAK	CABLE W282	W282	1	1	1														
HA002E		PA		12D7137202830	ｲｷﾝｼﾞｷｶﾝｸﾞｰﾌﾞﾙ	CABLE 1		MAZAK	CABLE W283	W283	1	1	1														
				13-																							
				14-																							
				15-																							

変更NO	出図NO	識 認	NO	部品番号	部品和	PARTS-NAME	材質	メーカー名	型式	名称補助	A	B	C	D	E	F	G	H	J	K	L	M	N	P	Q	製口	ラシク
				1D7137202651	ｲﾝｼﾞｷｯｺﾝｸﾞｰｼﾞﾙ	CABLE 1		MAZAK	CABLE W265	W265	1	1															
				2D7137252651	ｲﾝｼﾞｷｯｺﾝｸﾞｰｼﾞﾙ	CABLE 1		MAZAK	CABLE W265	W265			1	1													
				3D71372A2650	ｲﾝｼﾞｷｯｺﾝｸﾞｰｼﾞﾙ	CABLE 1		MAZAK	CABLE W265	W265	-1	-1	-1	-1													
				4-																							
				5-																							

機種分類 : 3720 / INTEGEX 100Ⅲ

/ K6 / ADDITIONAL M CODE

変更NO	出図NO	識区	ユニットNO	ユニット仕様	対応組図	対応組図	対応組図	対応組図	対応組図	関連変番
HA004E		UA A	7372K600100	ADDITIONAL M CODE [100Ⅲ/S SPEC.]						
HA004E		UA B	7372K600200	ADDITIONAL M CODE [100ⅢST SPEC.]						

変更NO	出図NO	誠	認	NO	部品番号	部品和	PARTS-NAME	材質	メーカー名	型式	名称補助	A	B	C	D	E	F	G	H	J	K	L	M	N	P	Q	製コ	ラシ	
			YS	1	D53TD004290	ターミナルブロック	TERMINAL BLOCK		TOGI	PTUL20*10P	XT200	1	1															C	
				2-																									C
				4	D72MA008490	リモート I/Oカード	REMOTE I/O CARD		MITSUBISHI	HR371	AP28	1	1															C	
				5	D65UB004770	プリント基板アッセンブリ	PCB ASSEMBLY		UNION ELEC	YS-667	AP28	1	1															C	
				6	D99ZZ991400	SUPPORT	SUPPORT		MAZAK	FOR YS-667	AP28	4	4															C	
			YZ	7	D04TC001730	リレー	RELAY		OMRON	G6B-4BND DC24V	KAZ51-254	1	1														C		
			YZ	8	D04TC001740	ショートバー	SHORT BAR		OMRON	G6B-4-SB	KAZ51-254	2	2															C	
				9-																								C	
				10-																									
				11	D7137200610	パンチケーブル	CONTROL BOX CABLE		MAZAK	CABLE W61	W61	1																	
				12	D7137210610	パンチケーブル	CONTROL BOX CABLE		MAZAK	CABLE W61	W61		1																
				13	D7137200620	パンチケーブル	CONTROL BOX CABLE		MAZAK	CABLE W62	W62	1	1																
				14	D7137200630	パンチケーブル	CONTROL BOX CABLE		MAZAK	CABLE W63	W63	1	1																
				15-																									
				20	D59S0260120	ダクト	WIRING DUCT		IKAI	ID-26 / ID-25-60-L (L=120)		2	2															C	
				21	D59DAV40220	レール	RAIL		TOYO	DIN RAIL DAV4 (L=220)		1	1																C
			YS	22	D56YG001530	アースバー	EARTH BAR		MAZAK	65X20XT5		1	1																C
				23	D64ND008370	ホールプラグ	HOLE PLUG		NIPPON FLEM	IMK-16PA		1	1																C
				24-																									
				25	D7137201320	パンチケーブル	CONTROL BOX CABLE		MAZAK	CABLE W132	W132	1	1																
				26-																									
				27-																									
				28-																									
				29-																									

機種分類 : 3720 / INTEGEX 100Ⅲ

/ K7 / SPINDLE THROUGH AIR

変更NO	出図NO	識区	ユニットNO	ユニット仕様	対応組図	対応組図	対応組図	対応組図	対応組図	関連変番
HA005E		UA A	7372K700100	MAIN SPINDLE THROUGH AIR BLOW						
HA005E		UA B	7372K700200	MAIN SPINDLE THROUGH AIR BLOW WITH GL						

変更NO	出図NO	識	認	NO	部品番号	部品和	PARTS-NAME	材質	メーカー名	型式	名称補助	A	B	C	D	E	F	G	H	I	J	K	L	M	N	P	Q	製	ラ	ン	
					1	D7137202400	イジ'キリケン'ブル	CABLE 1		MAZAK	CABLE W240	W240	1																		
					2	D7137212401	イジ'キリケン'ブル	CABLE 1		MAZAK	CABLE W240	W240																			

機種分類 : 3720 / INTEGEX 100III

/ R0 / 2nd. TURRET

変更NO	出図NO	識区	ユニットNO	ユニット仕様	対応組図	対応組図	対応組図	対応組図	対応組図	関連変番
HA002E		UC A	7372R000102	2nd. TURRET [JPN]						
HA002E		UC B	7372R000202	2nd. TURRET [YMC]						
HA002E		UC C	7372R000302	2nd. TURRET [YME]						

変更NO	出図NO	識 認	NO	部品番号	部品和	PARTS-NAME	材質	メーカー名	型式	名称補助	A	B	C	D	E	F	G	H	J	K	L	M	N	P	Q	製コ	ラシク
HA001E		iC		1D7137202301	ｲﾝｼﾞ ｷﾝｸﾞﾝｸﾞｰﾌﾙ	CABLE 1		MAZAK	CABLE W230	W230			-1														
HA001E		iC		2D7137272301	ｲﾝｼﾞ ｷﾝｸﾞﾝｸﾞｰﾌﾙ	CABLE 1		MAZAK	CABLE W230	W230			1														
HA001E				3-																							
HA001E		iC		4D7137202902	ｲﾝｼﾞ ｷﾝｸﾞﾝｸﾞｰﾌﾙ	CABLE 1		MAZAK	CABLE W290	W290			1														
				5D71372A2900	ｲﾝｼﾞ ｷﾝｸﾞﾝｸﾞｰﾌﾙ	CABLE 1		MAZAK	CABLE W290	W290	1	1															
HA002E		iC		6D7137202912	ｲﾝｼﾞ ｷﾝｸﾞﾝｸﾞｰﾌﾙ	CABLE 1		MAZAK	CABLE W291	W291			1														
HA002E		iC		7D71372A2911	ｲﾝｼﾞ ｷﾝｸﾞﾝｸﾞｰﾌﾙ	CABLE 1		MAZAK	CABLE W291	W291	1	1															
HA001E		iC		8D7137202921	ｲﾝｼﾞ ｷﾝｸﾞﾝｸﾞｰﾌﾙ	CABLE 1		MAZAK	CABLE W292	W292	1	1															
HA001E		iC		9D7137202931	ｲﾝｼﾞ ｷﾝｸﾞﾝｸﾞｰﾌﾙ	CABLE 1		MAZAK	CABLE W293	W293	1	1															
HA001E		iC		10D7137202941	ｲﾝｼﾞ ｷﾝｸﾞﾝｸﾞｰﾌﾙ	CABLE 1		MAZAK	CABLE W294	W294	1	1															
HA001E		iC		11D7137202961	ｲﾝｼﾞ ｷﾝｸﾞﾝｸﾞｰﾌﾙ	CABLE 1		MAZAK	CABLE W296	W296	1	1															
				12-																							
HA001E		iC		13D7137203021	ｲﾝｼﾞ ｷﾝｸﾞﾝｸﾞｰﾌﾙ	CABLE 1		MAZAK	CABLE W302	W302	1	1															
				14-																							
				15-																							
				16-																							
				17-																							

機種分類 : 3720 / INTEGEX 100 III

/ R1 / FLASH TOOL

変更NO	出図NO	識区	ユニットNO	ユニット仕様	対応組図	対応組図	対応組図	対応組図	対応組図	関連変番
		PC A	7372R100100	FLASH TOOL						

変更NO	出図NO	識	認	NO	部品番号	部品和	PARTS-NAME	材質	メーカー名	型式	名称補助	A	B	C	D	E	F	G	H	J	K	L	M	N	P	Q	取コ	ランク
				1	D7137203000	イキジキカンケ-ジ	CABLE 1		MAZAK	CABLE W300	W300	1																
				2-																								
				3-																								
				4-																								
				5-																								

変更NO	出図NO	識	認	NO	部品番号	部品和	PARTS-NAME	材質	メーカー名	型式	名称補助	A	B	C	D	E	F	G	H	J	K	L	M	N	P	Q	製	コ	ラ	ン	ク
			YS	1	D16PC000160	フットスイッチ	FOOT SWITCH		OGIDEN	OFL-VG-SM2C	S1/S3	1	1		2	2															
			YS	2	D16PC000170	フットスイッチ	FOOT SWITCH		OGIDEN	OFL-2TVG-SM2K	S2/S4			1			2														
				3-																											
HA001E		iC		4	D7137204471	ニジキカンケ-ブール	CABLE 2		MAZAK	CABLE W447	W447	1	1	1	1	1	1														
				5-																											
HA001E		iC		6	D7137204751	ニジキカンケ-ブール	CABLE 2		MAZAK	CABLE W475	W475	1	1	1	1	1	1														
				7-																											
HA004E		iC		8	D7137204811	ニジキカンケ-ブール	CABLE 2		MAZAK	CABLE W481	W481	1	1	1	1	1	1														
				9-																											
HA001E		iC		10	D7137206021	ニジキカンケ-ブール	CABLE 2		MAZAK	CABLE W602	W602	1	1	1	1	1	1														
		PA		11	D7137206090	ニジキカンケ-ブール	CABLE 2		MAZAK	CABLE W609	W609				1	1	1														
				12-																											
HA004E		iC		13	D7137206761	ニジキカンケ-ブール	CABLE 2		MAZAK	CABLE W676	W676			1			1														
		PA		14	D71372A6760	ニジキカンケ-ブール	CABLE 2		MAZAK	CABLE W676	W676	1	1	1	1	1	1														
		PA		15	D7137206771	ニジキカンケ-ブール	CABLE 2		MAZAK	CABLE W677	W677							1													
HA004E		iC		16	D71372A6771	ニジキカンケ-ブール	CABLE 2		MAZAK	CABLE W677	W677				1	1															
				17-																											
				18	D7137207080	ニジキカンケ-ブール	CABLE 2		MAZAK	CABLE W708	W708	1	1	1	1	1	1														
				19	D7137207090	ニジキカンケ-ブール	CABLE 2		MAZAK	CABLE W709	W709				1	1	1														
				20-																											
				21	D7137207640	ニジキカンケ-ブール	CABLE 2		MAZAK	CABLE W764	W764	1	1	1	1	1	1														
				22-																											
				23-																											

機種分類 : 3720 / INTEGEX 100Ⅲ

/ 11A / OPERATING PANEL

変更NO	出図NO	識区	ユニットNO	ユニット仕様	対応組図	対応組図	対応組図	対応組図	対応組図	関連変番
HA001E		UC A	73721100101	100Ⅲ SPEC. [JPN]						
HA001E		UC B	73721100201	100Ⅲ SPEC. [YMC]						
HA001E		UC C	73721100301	100Ⅲ SPEC. [YME]						
HA001E		UC D	73721100401	100ⅢS SPEC. [JPN]						
HA001E		UC E	73721100501	100ⅢS SPEC. [YMC]						
HA001E		UC F	73721100601	100ⅢS SPEC. [YME]						

変更NO	出図NO	識	認 NO	部品番号	部品和	PARTS-NAME	材質	メーカー名	型式	名称補助	A	B	C	D	E	F	G	H	J	K	L	M	N	P	Q	取コラック
				1-	NC ヲウサハ 衤	NC OPERATING PANEL		mitsubishi			(1)	(1)	(1)	(1)	(1)	(1)										
		YS		2D65MA001990	ハ'ルズ ハツゼイキ	PULSE GENERATOR		mitsubishi	HD60	操	(1)	(1)	(1)	(1)	(1)	(1)										
HA001E		PC		3D70FA007380	メカハ 衤アツゼイ	PANEL ASSEY		FUJI	AH16PC-2020/ME1	操	1	1	1	1	1	1									D	
HA001E		PC		4D70FA007180	メカハ 衤アツゼイ	PANEL ASSEY		FUJI	AH16PC-2020/ME1	操																D
				5D80MA012360	FDD エニツト	FDD UNIT		mitsubishi	FCUG-FD221-2	操	(1)	(1)	(1)	(1)	(1)	(1)										
				6D25MB000110	ブ'ザ-	BUZZER		MATSUSHITA	EB1114	操	1	1	1	1	1	1										B
				7D82HF000780	モ'ム I/F	MODEM I/F		HOKKO	TM5RE1-64 (50) ASSY	操	1	1	1	1	1	1										
				8D82HF000890	モ'ム ヲケ-ブル	MODEM CABLE		HOKKO	CBLRJ050-464-S-07-	操	1	1	1	1	1	1										
				9-																						
				10-																						
				11-																						
				12-																						
				1342322627440	7-ズハ-	EARTH BAR		MAZAK	65*20*T5	WI008	1	1	1	1	1	1										
HA001E		PA		14D80MA012520	NC ヲウサハ 衤	NC OPERATING PANEL		mitsubishi	FCUG-YZ42	操	(1)	(1)	(1)	(1)	(1)	(1)										
HA001E		PA		15D80MA012530	NC ヲウサハ 衤	NC OPERATING PANEL		mitsubishi	FCUG-YZ042	操	(1)	(1)	(1)	(1)	(1)	(1)										
				16-																						
				17D7137200970	ニ'キ ヲケ-ブル	CABLE 2		MAZAK	CABLE W97	W97	1	1	1	1	1	1										
				18D7137200980	ニ'キ ヲケ-ブル	CABLE 2		MAZAK	CABLE W98	W98	1	1	1	1	1	1										
				19-																						
				20D7137206010	ニ'キ ヲケ-ブル	CABLE 2		MAZAK	CABLE W601	W601	1	1	1	1	1	1										
				21-																						
				22-																						
				23-																						
				24-																						
				25-																						

機種分類 : 3720 / INTEGEX 100Ⅲ

/ 11B / OPERATING PANEL

変更NO	出図NO	識区	ユニットNO	ユニット仕様	対応組図	対応組図	対応組図	対応組図	対応組図	関連変番
HA001E		UC A	73721102101	100ⅢT SPEC. [JPN]						
HA001E		UC B	73721102201	100ⅢT SPEC. [YMC]						
HA001E		UC C	73721102301	100ⅢT SPEC. [YME]						
HA001E		UC D	73721102401	100ⅢST SPEC. [JPN]						
HA001E		UC E	73721102501	100ⅢST SPEC. [YMC]						
HA001E		UC F	73721102601	100ⅢST SPEC. [YME]						

変更NO	出図NO	織	認	NO	部品番号	部品和	PARTS-NAME	材質	メーカー名	型式	名称補助	A	B	C	D	E	F	G	H	J	K	L	M	N	P	Q	録	コ	ラ	ン	ク						
				1	-	NC ヲサハ ^ハ ネル	NC OPERATING PANEL		MITUBISHI	-	操	(1)	(1)	(1)	(1)	(1)	(1)	(1)																			
HA001E			YS	2	D65MA001990	ハ ^ハ ル ^ハ ハ ^ハ セ ^ハ キ	PULSE GENERATOR		MITSUBISHI	HD60	操	(1)	(1)	(1)	(1)	(1)	(1)																				
HA001E		PC		3	D70FA007380	メ ^メ カ ^メ ハ ^メ ネ ^メ ル ^メ ア ^メ セ ^メ イ	PANEL ASSEY		FUJI	AH16PC-2020/ME1	操	1	1	1	1	1	1															D					
		PC		4	D70FA007180	メ ^メ カ ^メ ハ ^メ ネ ^メ ル ^メ ア ^メ セ ^メ イ	PANEL ASSEY		FUJI	AH16PC-2020/ME1	操																						D				
				5	D80MA012360	FDD ニット	FDD UNIT		MITSUBISHI	FCU6-FD221-2	操	(1)	(1)	(1)	(1)	(1)	(1)																				
				6	D25MB000110	ブ ^ブ ザ ^ブ -	BUZZER		MATSUSHITA	EB1114	操	1	1	1	1	1	1																	B			
				7	D82HF000780	モ ^モ デ ^モ ム ^モ I/F	MODEM I/F		HOKKO	TM5RE1-64(50) ASSY	操	1	1	1	1	1	1																				
				8	D82HF000890	モ ^モ デ ^モ ム ^モ ア ^モ ブ ^モ ル	MODEM CABLE		HOKKO	CBLRJ050-464-S-07-	操	1	1	1	1	1	1																				
				9	D13FA002130	セ ^セ レ ^セ ク ^セ ト ^セ ス ^セ イ ^セ ツ ^セ チ	SELECT SWITCH		FUJI	AH165-2H2B22	SA35	1	1	1	1	1	1																		C		
			YS	10	D21PA000800	LED	LED		OKAYA	BD-361Z6-24	HL73/74	2	2	2	2	2	2																	C			
				11	-																																
				12	D19FA002410	シ ^シ ョ ^シ コ ^シ ウ ^シ キ ^シ ホ ^シ ン ^シ ボ ^シ ン ^シ タン	PUSH BUTTON		FUJI	AH165-2FLW1E3	SA36	1	1	1	1	1	1																				B
				13	42322627440	ア ^ア ラ ^ア バ ^ア -	EARTH BAR		MAZAK	65*20*T5	WT008	1	1	1	1	1	1																				
HA001E		PA		14	D80MA012520	NC ヲサハ ^ハ ネル	NC OPERATING PANEL		MITSUBISHI	FCU6-YZ42	操	(1)	(1)	(1)	(1)	(1)	(1)																				
HA001E		PA		15	D80MA012530	NC ヲサハ ^ハ ネル	NC OPERATING PANEL		MITSUBISHI	FCU6-YZ042	操	(1)	(1)	(1)	(1)	(1)	(1)																				
				16	-																																
				17	D7137200970	ニ ^ニ ジ ^ニ キ ^ニ カン ^ニ ケ ^ニ ア ^ニ ブ ^ニ ル	CABLE 2		MAZAK	CABLE W97	W97	1	1	1	1	1	1																				
				18	D7137200980	ニ ^ニ ジ ^ニ キ ^ニ カン ^ニ ケ ^ニ ア ^ニ ブ ^ニ ル	CABLE 2		MAZAK	CABLE W98	W98	1	1	1	1	1	1																				
				19	-																																
				20	D7137206010	ニ ^ニ ジ ^ニ キ ^ニ カン ^ニ ケ ^ニ ア ^ニ ブ ^ニ ル	CABLE 2		MAZAK	CABLE W601	W601	1	1	1	1	1	1																				
				21	-																																
				22	D7137207820	ニ ^ニ ジ ^ニ キ ^ニ カン ^ニ ケ ^ニ ア ^ニ ブ ^ニ ル	CABLE 2		MAZAK	CABLE W782	W782	1	1	1	1	1	1																				
				23	-																																
				24	D7137207970	ニ ^ニ ジ ^ニ キ ^ニ カン ^ニ ケ ^ニ ア ^ニ ブ ^ニ ル	CABLE 2		MAZAK	CABLE W797	W797	1	1	1	1	1	1																				
				25	-																																

変更NO	出図NO	識 認 NO	部品番号	部品和	PARTS-NAME	材質	メーカー名	型式	名称補助	A	B	C	D	E	F	G	H	J	K	L	M	N	P	Q	製法	
		YS	1D15JA003110	プッシュロック スイッチ	PUSH LOCK SW.		IZUMI DENKI	HW1B-V402-TK1890	SB18	1	1	1													C	
			2D15FA003820	ボタン スイッチ	PUSH BUTTON SW.		FUJI	AR22FOR-10B	SB20/21	2	2	2														C
			3D15FA003820	ボタン スイッチ	PUSH BUTTON SW.		FUJI	AR22FOR-10B	SB19	1	1	1														C
			4D15FA003830	キー スイッチ	KEY SWITCH		FUJI	AR22JR-2B11B	SA7	1	1	1														C
HA005E		PA	5D72ZZ012430	HANDY-BOX	HANDY-BOX		TOSOKU	EAHS-610 #2004-50					1													
		PA	6D7137207800	ニジキカンケーポール	CABLE 2		MAZAK	CABLE W780	W780			1														
		PA	7D71372A7800	ニジキカンケーポール	CABLE 2		MAZAK	CABLE W780	W780	1	1															

変更NO	出図NO	識区	ユニットNO	ユニット仕様	対応組図	対応組図	対応組図	対応組図	対応組図	関連変番
		A	73722000100	100Ⅲ/100ⅢT SPEC. [JPN]						
		B	73722000200	100Ⅲ/100ⅢT SPEC. [YMC]						
HA002E		UA C	73722000302	100Ⅲ/100ⅢT SPEC. [YME]						
HA001E		UA D	73732000401	[OTH (EXCEPT 380-415V)] SPEC.						
HA004E		UC E	73732000502	[OTH 380-415V] SPEC.						
		UA F	73732000600	100ⅢS/100ⅢST SPEC. [JPN]						
		UA G	73732000700	100ⅢS/100ⅢST SPEC. [YMC]						
HA002E		UC H	73732000801	100ⅢS/100ⅢST SPEC. [YME]						

変更NO	出図NO	識 認	NO	部品番号	部品和	PARTS-NAME	材質	メーカー名	型式	名称補助	A	B	C	D	E	F	G	H	J	K	L	M	N	P	Q	製コ	ランク	
				1	D49MA007570	トランス	TRANSFORMER		MITSUBISHI 20KVA 200V->400V	T1	1					1												
				2	D49MA007580	トランス	TRANSFORMER		MITSUBISHI 30KVA 200V->400/200/100V	T1		1					1											
				3	D49MA007590	トランス	TRANSFORMER		MITSUBISHI 10KVA 400V->200/100V	T1			1					1										
				4	D49FV006600	トランス	TRANSFORMER		FUJIDENKI 1KVA	T2	1							1										
				5																								
		PC		6	D43TH002140	ノイズフィルタ	NOISE FILTER		TDK ZRGT5050-MF	Z45			1															
		PC		7	D43TH002061	ノイズフィルタ	NOISE FILTER		TDK ZRGT5080-MF	Z45									1									
HA004E		PA		8	D53TD009030	ターミナルブロック	TERMINAL BLOCK		TOGI PTL90*3P	XT29																		
		YS		9	43564459640	アースバー	EARTH BAR		MAZAK 95*30*T5	W1000	1	1	1	1	1	1	1	1	1									
				10																								
		PA		11	D71372A5180	ニジギカンケーブル	CABLE 2		MAZAK CABLE W518	W518	1	1																
		PA		12	D71372A5200	ニジギカンケーブル	CABLE 2		MAZAK CABLE W520	W520	1																	
				13																								
HA001E		iC		14	D7137206861	ニジギカンケーブル	CABLE 2		MAZAK CABLE W686	W686																		
HA002E		iC		15	D7137216860	ニジギカンケーブル	CABLE 2		MAZAK CABLE W686	W686																		
HA004E		PA		16	D71372A6860	ニジギカンケーブル	CABLE 2		MAZAK CABLE W686	W686																		
				17																								
				18																								

変更NO	出図NO	識区	ユニットNO	ユニット仕様	対応組図	対応組図	対応組図	対応組図	対応組図	関連変番
		UC A	73722200101	40 TOOL SPEC. [JPN]						
		UC B	73722200201	40 TOOL SPEC. [YMC]						
HA001E		UC C	73722200301	40 TOOL SPEC. [YME]						
HA002E		UA D	73722200400	20 TOOL SPEC. [JPN]						
HA002E		UA E	73722200500	20 TOOL SPEC. [YMC]						
HA002E		UA F	73722200600	20 TOOL SPEC. [YME]						
HA005E		UA G	73722200700	80 TOOL SPEC. [JPN]						
HA005E		UA H	73722200800	80 TOOL SPEC. [YMC]						
HA005E		UA J	73722200900	80 TOOL SPEC. [YME]						

変更NO	出図NO	識認	NO	部品番号	部品和	PARTS-NAME	材質	メーカー名	型式	名称補助	A	B	C	D	E	F	G	H	J	K	L	M	N	P	Q	備考	
			1	D65UB004820	リフトI/O	REMO1 I/O		UNION	YSJ670-8	AP23	1	1	1	1	1	1										C	
			2	D72MA008490	リフトI/Oカード	REMO1 I/O CARD		MITSUBISHI	HR371	AP23	(1)	(1)	(1)	(1)	(1)	(1)											C
			3																								
		YS	4	D56YC001530	7-λV-	EARTH BAR		MAZAK	65*20*T5	W1004	1	1	1	1	1	1	1	1	1								
			5																								
			6	D53TD007610	ターミナルブロック	TERMINAL BLOCK		TOYO GIKEN	PTUL20*18P	XT22	1	1	1	1	1	1	1	1	1								
			7	D53PH009690	ターミナルブロック	TERMINAL BLOCK		PHENIX	ST6*11P	XT21	1	1	1	1	1	1	1	1	1								
HA005E		PA	8	D64ND008380	ホルダプラグ	HOLE PLUG		NIPPON FLE	MK-22PA		1	1	1	1	1	1	3	3	3								
			9	D59H2100200	ダクト	DUCT		KOWA	KD210 25*100*200		1	1	1	1	1	1	1	1	1								
HA005E		PA	10	D64ND008370	ホルダプラグ	HOLE PLUG		NIPPON FLE	MK-16PA																		
HA001E		iC	11	D7137204211	ニジキカンケープル	CABLE 2		MAZAK	CABLE W421	W421	1	1	1	1	1	1	1	1	1								
HA002E		iC	12	D7137204242	ニジキカンケープル	CABLE 2		MAZAK	CABLE W424	W424	1	1	1	1	1	1	1	1	1								
			13																								
HA002E		iC	14	D7137204462	ニジキカンケープル	CABLE 2		MAZAK	CABLE W446	W446	1	1	1	1	1	1	1	1	1								
			15																								
HA002E		iC	16	D7137204502	ニジキカンケープル	CABLE 2		MAZAK	CABLE W450	W450	1	1	1	1	1	1	1	1	1								
			17	D7137204510	ニジキカンケープル	CABLE 2		MAZAK	CABLE W451	W451	1	1	1	1	1	1	1	1	1								
HA001E		iC	18	D7137204561	ニジキカンケープル	CABLE 2		MAZAK	CABLE W456	W456	1	1	1	1	1	1	1	1	1								
HA001E		iC	19	D7137204571	ニジキカンケープル	CABLE 2		MAZAK	CABLE W457	W457	1	1	1	1	1	1	1	1	1								
			20																								
HA001E		iC	21	D7137204741	ニジキカンケープル	CABLE 2		MAZAK	CABLE W474	W474	1	1	1	1	1	1	1	1	1								
		PA	22	D7137204760	ニジキカンケープル	CABLE 2		MAZAK	CABLE W476	W476																	
		PA	23	D71372A4760	ニジキカンケープル	CABLE 2		MAZAK	CABLE W476	W476	1	1	1	1	1	1	1	1	1								
			24																								
			25	D7137205320	ニジキカンケープル	CABLE 2		MAZAK	CABLE W532	W532	1	1	1	1	1	1	1	1	1								
			26																								
			27	D7137206950	ニジキカンケープル	CABLE 2		MAZAK	CABLE W695	W695	1	1	1	1	1	1	1	1	1								
			28																								
			29																								
			30																								
HA002E		PA	31	D7137214510	ニジキカンケープル	CABLE 2		MAZAK	CABLE W451	W451																	
HA002E		PA	32	D7137214570	ニジキカンケープル	CABLE 2		MAZAK	CABLE W457	W457																	
HA002E		PA	33	D7137214760	ニジキカンケープル	CABLE 2		MAZAK	CABLE W476	W476																	
HA002E		PA	34	D71372B4760	ニジキカンケープル	CABLE 2		MAZAK	CABLE W476	W476																	

変更NO	出図NO	識 認	NO	部品番号	部品和	PARTS-NAME	材質	メーカー名	型式	名称補助	A	B	C	D	E	F	G	H	J	K	L	M	N	P	Q	製コ	ラシク			
			1	D65UB004830	リモートI/O	REMOTE I/O		UNION	YSJ670-16	AP22	1	1	1														C			
			2	D2MA008490	リモートI/Oカード	REMOTE I/O CARD		MITSUBISHI	HR371	AP22	(1)	(1)	(1)															C		
			3																											
		YS	4	D56Y001530	7-スハ-	EARTH BAR		MAZAK	65*20*15	W1006	1	1	1																	
			5																											
HA002E		PC	6	D53TD009980	ターミナルブロック	TERMINAL BLOCK		TOYO GIKEN	PTL40*7P-PTUL20*4P	DMS-4 XT52	1	1	1																	
			7																											
			8	D44PJ001860	コンデンサ	CAPACITOR		ORIENTAL	CH100CFAUL	C15	1	1	1															D		
			9																											
HA004E		iC	10	D7137204232	ニジキルケケーブル	CABLE 2		MAZAK	CABLE W423	W423				1																
HA004E		iC	11	D7137204231	ニジキルケケーブル	CABLE 2		MAZAK	CABLE W423	W423	1	1																		
HA001E		iC	12	D7137204251	ニジキルケケーブル	CABLE 2		MAZAK	CABLE W425	W425	1	1																		
HA002E		iC	13	D7137204262	ニジキルケケーブル	CABLE 2		MAZAK	CABLE W426	W426	1	1																		
HA001E		iC	14	D7137204281	ニジキルケケーブル	CABLE 2		MAZAK	CABLE W428	W428	1	1																		
			15																											
HA002E		iC	16	D7137204302	ニジキルケケーブル	CABLE 2		MAZAK	CABLE W430	W430	1	1																		
			17	D7137204320	ニジキルケケーブル	CABLE 2		MAZAK	CABLE W432	W432	1	1																		
			18	D7137204340	ニジキルケケーブル	CABLE 2		MAZAK	CABLE W434	W434	1	1																		
HA002E		iC	19	D7137204372	ニジキルケケーブル	CABLE 2		MAZAK	CABLE W437	W437	1	1																		
HA001E		iC	20	D7137204381	ニジキルケケーブル	CABLE 2		MAZAK	CABLE W438	W438	1	1																		
HA002E		iC	21	D7137204392	ニジキルケケーブル	CABLE 2		MAZAK	CABLE W439	W439	1	1																		
			22																											
			23	D7137205650	ニジキルケケーブル	CABLE 2		MAZAK	CABLE W565	W565	1	1																		
			24	D7137205660	ニジキルケケーブル	CABLE 2		MAZAK	CABLE W566	W566	1	1																		
HA001E		iC	25	D7137205671	ニジキルケケーブル	CABLE 2		MAZAK	CABLE W567	W567	1	1																		
HA002E		PD	26	D7137205680	ニジキルケケーブル	CABLE 2		MAZAK	CABLE W568	W568	1	1																		
			27	D7137205690	ニジキルケケーブル	CABLE 2		MAZAK	CABLE W569	W569	1	1																		
			28																											
			29	D7137205700	ニジキルケケーブル	CABLE 2		MAZAK	CABLE W570	W570	1	1																		
			30																											

機種分類 : 3720 / INTEGEX 100III

/ 26 / SPINDLE CONNECTION BOX

変更NO	出図NO	識区	ユニットNO	ユニット仕様	対応組図	対応組図	対応組図	対応組図	対応組図	関連変番
HA002E		UC A	73722600102	100III (TAIL) SPEC. [JPN]						
HA002E		UC B	73722600202	100III (TAIL) SPEC. [YMC]						
HA004E		UC C	73722600303	100III (TAIL) SPEC. [YME]						
HA002E		UC D	73722600402	100III S/100III ST SPEC. [JPN]						
HA002E		UC E	73722600502	100III S/100III ST SPEC. [YMC]						
HA004E		UC F	73722600603	100III S/100III ST SPEC. [YME]						
HA005E		UA G	73722600700	100III (TAIL) SPEC. [JPN] WITH GL						
HA005E		UA H	73722600800	100III (TAIL) SPEC. [YMC] WITH GL						
HA005E		UA J	73722600900	100III (TAIL) SPEC. [YME] WITH GL						
HA005E		UA K	73722601000	100III S/100III ST SPEC. [JPN] WITH GL						
HA005E		UA L	73722601100	100III S/100III ST SPEC. [YMC] WITH GL						

発注NO	出図NO	識	認	NO	部品番号	部品和	PARTS-NAME	材質	メーカー名	型式	名称補助	A	B	C	D	E	F	G	H	J	K	L	M	N	P	Q	製コ	ラシ	
				1	1065UB004830	リモートI/O	REMOTE I/O		UNION	YSJ670-16	AP20	1	1	1	1	1	1	1	1	1	1	1	1	1					
				2	D72MA008490	リモートI/Oカート	REMOTE I/O CARD		MITSUBISHI	HR371	AP20	(1)	(1)	(1)	(1)	(1)	(1)	(1)	(1)	(1)	(1)	(1)	(1)	(1)					
				3																									
		YS		4	D53D004290	ターミナルブロック	TERMINAL BLOCK		TOYO GIKEN	PTUL20*10P	XT12	1	1	1	1	1	1	1	1	1	1	1	1	1					
				5	D53PH009680	ターミナルブロック	TERMINAL BLOCK		PHENIX	ST6*7P	XT11	1	1	1	1	1	1	1	1	1	1	1	1	1					
				6																									
		YS		7	D56Y001530	7-ルビ	EARTH BAR		MAZAK	65*20*15	W1002	1	1	1	1	1	1	1	1	1	1	1	1	1					
				8																									
HA002E		iC		9	D7137204002	ニジケーブル	CABLE 2		MAZAK	CABLE W400	W400	1	1	1	1	1	1	1	1	1	1	1	1	1					
				10	D7137204030	ニジケーブル	CABLE 2		MAZAK	CABLE W403	W403	1	1	1	1	1	1	1	1	1	1	1	1	1	1				
HA001E		iC		11	D7137204071	ニジケーブル	CABLE 2		MAZAK	CABLE W407	W407	1	1	1	1	1	1	1	1	1	1	1	1	1	1				
				12																									
				13	D7137204150	ニジケーブル	CABLE 2		MAZAK	CABLE W415	W415	1	1	1	1	1	1	1	1	1	1	1	1	1	1				
HA004E		iC		14	D7137204172	ニジケーブル	CABLE 2		MAZAK	CABLE W417	W417	1	1	1	1	1	1	1	1	1	1	1	1	1	1				
				15																									
HA001E		iC		16	D7137205301	ニジケーブル	CABLE 2		MAZAK	CABLE W530	W530	1	1	1	1	1	1	1	1	1	1	1	1	1	1				
HA005E		PA		17	D7137215301	ニジケーブル	CABLE 2		MAZAK	CABLE W530	W530	1	1	1	1	1	1	1	1	1	1	1	1	1	1				
				18	D7137205310	ニジケーブル	CABLE 2		MAZAK	CABLE W531	W531	1	1	1	1	1	1	1	1	1	1	1	1	1	1				
HA001E		iC		19	D7137205751	ニジケーブル	CABLE 2		MAZAK	CABLE W575	W575	1	1	1	1	1	1	1	1	1	1	1	1	1	1				
				20	D7137205760	ニジケーブル	CABLE 2		MAZAK	CABLE W576	W576	1	1	1	1	1	1	1	1	1	1	1	1	1	1				
HA005E		PA		21	D7137205761	ニジケーブル	CABLE 2		MAZAK	CABLE W576	W576	1	1	1	1	1	1	1	1	1	1	1	1	1	1				
HA004E		iC		22	D7137205772	ニジケーブル	CABLE 2		MAZAK	CABLE W577	W577	1	1	1	1	1	1	1	1	1	1	1	1	1	1				
				23	D7137206750	ニジケーブル	CABLE 2		MAZAK	CABLE W675	W675	1	1	1	1	1	1	1	1	1	1	1	1	1	1				
				24																									
HA001E		iC		25	D7137206881	ニジケーブル	CABLE 2		MAZAK	CABLE W688	W688	1	1	1	1	1	1	1	1	1	1	1	1	1	1				
HA005E		PA		26	D7137216881	ニジケーブル	CABLE 2		MAZAK	CABLE W688	W688	1	1	1	1	1	1	1	1	1	1	1	1	1	1				
				27	D7137206940	ニジケーブル	CABLE 2		MAZAK	CABLE W694	W694	1	1	1	1	1	1	1	1	1	1	1	1	1	1				
				28	D7137206960	ニジケーブル	CABLE 2		MAZAK	CABLE W696	W696	1	1	1	1	1	1	1	1	1	1	1	1	1	1				
				29																									
				30	D7137207070	ニジケーブル	CABLE 2		MAZAK	CABLE W707	W707	1	1	1	1	1	1	1	1	1	1	1	1	1	1				
				31																									
				32	D7137207900	ニジケーブル	CABLE 2		MAZAK	CABLE W790	W790	1	1	1	1	1	1	1	1	1	1	1	1	1	1				
				33																									
				34																									
				35																									

機種分類 : 3720 / INTEGEX 100Ⅲ

／ 32 / 80 TOOL MAGAZINE BOX

変更NO	出図NO	識区	ユニットNO	ユニット仕様	対応組図	対応組図	対応組図	対応組図	対応組図	関連変番
HA005E		UA A	73723200100	80 TOOL MAGAZINE CONNECTION BOX [JPN]						
HA005E		UA B	73723200200	80 TOOL MAGAZINE CONNECTION BOX [YMC]						
HA005E		UA C	73723200300	80 TOOL MAGAZINE CONNECTION BOX [YME]						

機種分類 : 3720 / INTEGEX 100Ⅲ

/ 41 / OPTION COOLANT 2

変更NO	出図NO	識区	ユニットNO	ユニット仕様	対応組図	対応組図	対応組図	対応組図	対応組図	関連変番
HA004E		UC A	73724100101	15kgf COOLANT [JPN]						
HA004E		UC B	73724100202	15kgf COOLANT [YMC]						
HA004E		UC C	73724100302	15kgf COOLANT [YME]						

変更NO	出図NO	識 認 NO	部品番号	部品和	PARTS-NAME	材質	メーカー名	型式	名称補助	A	B	C	D	E	F	G	H	J	K	L	M	N	P	Q	製コ	ランク
HA004E		iC	1D7137204811	ニジキソケ-ブ ^ル	CABLE 2		MAZAK	CABLE W481	W481	-1	-1	-1	-1													
HA004E		iC	2D7137214811	ニジキソケ-ブ ^ル	CABLE 2		MAZAK	CABLE W481	W481	1	1	1	1													
			3-																							
			4-																							
			5-																							

機種分類 : 3720 / INTEGEX 100III

/ 42 / FOOT SW

変更NO	出図NO	識区	ユニットNO	ユニット仕様	対応組図	対応組図	対応組図	対応組図	対応組図	関連変番
HA005E		UA A	73724200100	DOUBLE FOOT SW 100III SPEC. [JPN/YMC]						
HA005E		UA B	73724200200	DOUBLE FOOT SW 100III/ST SPEC. [JPN/YMC]						

変更NO	出図NO	識 認 NO	部品番号	部品和	PARTS-NAME	材質	メーカー名	型式	名称補助	A	B	C	D	E	F	G	H	J	K	L	M	N	P	Q	製 口	ラジ
			1D7137206761	ニジ・キカンケーブル	CABLE 2		MAZAK	CABLE W676	W676	1	1															
			2D7137206772	ニジ・キカンケーブル	CABLE 2		MAZAK	CABLE W677	W677																	
			3-																							
			4D71372A6760	ニジ・キカンケーブル	CABLE 2		MAZAK	CABLE W676	W676	-1	-1															
			5D71372A6771	ニジ・キカンケーブル	CABLE 2		MAZAK	CABLE W677	W677	-1	-1															

機種分類 : 3720 / INTEGEX 100III

/ 43 / NC TAIL

変更NO	出図NO	識区	ユニットNO	ユニット仕様	対応組図	対応組図	対応組図	対応組図	対応組図	対応組図	関連変番
HA002E		UC A	73724300100	NC TAIL							

変更NO	出図NO	識 認	NO	部品番号	部品和	PARTS-NAME	材質	メーカー名	型式	名称補助	A	B	C	D	E	F	G	H	J	K	L	M	N	P	Q	誤コラック
				1D7137204840	ニジキカケアブル	CABLE 2		MAZAK	CABLE W484	W484	1															

機種分類 : 3720 / INTEGEX 100Ⅲ

/ 44 / 2nd. SPINDLE CONNECTION BOX

変更NO	出図NO	識区	ユニットNO	ユニット仕様	対応組図	対応組図	対応組図	対応組図	対応組図	関連変番
HA002E		UC A	73724400102	100ⅢS/100ⅢST SPEC. [JPN] (0.001 SPEC.)						
HA002E		UC B	73724400202	100ⅢS/100ⅢST SPEC. [YMC] (0.001 SPEC.)						
HA002E		UC C	73724400302	100ⅢS/100ⅢST SPEC. [YME] (0.001 SPEC.)						
HA002E		UC D	73724400402	100ⅢS/100ⅢST SPEC. [JPN] (C-AXIS SPEC.)						
HA002E		UC E	73724400502	100ⅢS/100ⅢST SPEC. [YMC] (C-AXIS SPEC.)						
HA002E		UC F	73724400602	100ⅢS/100ⅢST SPEC. [YME] (C-AXIS SPEC.)						

変更NO	出図NO	識	認	NO	部品番号	部品和	PARTS-NAME	材質	メーカー名	型式	名称補助	A	B	C	D	E	F	G	H	J	K	L	M	N	P	Q	製	コ	ラ	ク
					1D53PH009680	ターミナルブロック	TERMINAL BLOCK		PHENIX	ST6*7P	XT36	1	1	1	1	1	1	1												
		YS			2D53TD004730	ターミナルブロック	TERMINAL BLOCK		TOYO GIKEN	PTUL20*2P	XT46	1	1	1	1	1	1	1												
					3-																									
		YS			4D56YC001530	7-スパン	EARTH BAR		MAZAK	65*20*T5	W1007	1	1	1	1	1	1	1												
					5-																									
					6D7137205890	ニジキルケーブル	CABLE 2		MAZAK	CABLE W589	W589	1	1	1	1	1	1	1												
					7-																									
HA001E		iC			8D7137205921	ニジキルケーブル	CABLE 2		MAZAK	CABLE W592	W592	1	1	1	1	1	1	1												
HA001E		iC			9D7137205961	ニジキルケーブル	CABLE 2		MAZAK	CABLE W596	W596	1	1	1	1	1	1	1												
					10-																									
HA001E		iC			11D7137206401	ニジキルケーブル	CABLE 2		MAZAK	CABLE W640	W640	1	1	1	1	1	1	1												
HA002E		iC			12D7137206421	ニジキルケーブル	CABLE 2		MAZAK	CABLE W642	W642	1	1	1	1	1	1	1												
					13-																									
					14D7137206970	ニジキルケーブル	CABLE 2		MAZAK	CABLE W697	W697					1	1	1	1											
					15-																									
					16D7137207100	ニジキルケーブル	CABLE 2		MAZAK	CABLE W710	W710	1	1	1	1	1	1	1	1											
					17-																									
					18-																									

機種分類 : 3720 / INTEGEX 100Ⅲ

/ 45 / GL I/F

変更NO	出図NO	識区	ユニットNO	ユニット仕様	対応組図	対応組図	対応組図	対応組図	対応組図	関連変番
HA005E		UA A	73724500100	M640GL I/F (EXCEPT YME)						
HA005E		UA B	73724500200	M640GL I/F (YME)						

変更NO	出図NO	識 認 NO	部品番号	部品和	PARTS-NAME	材質	メーカー名	型式	名称補助	A	B	C	D	E	F	G	H	J	K	L	M	N	P	Q	製コ	ラシク	
			1D17NB000260	トグルスイッチ	TOGGLE SWITCH		日本閉閉器	S-302		1	1															C	
			2D17NB000190	ホウスイキップ	CAP		日本閉閉器	AT-402		1	1																C
			3D72MA008990	ソウサロキハン	BOARD IO PCB		mitsubishi	RX322-1		1	1																C
			4D69JX000360	リモートソウサホキ	REMOTE OPERATING BOX		ISHIHYOUK	X0573K2A (5m)		1	1																C
			5-																								C
			6-																								
			7D7137206500	ケーブル	CABLE		MAZAK	CABLE W650	W650	1	1																
			8D7137206510	ケーブル	CABLE		MAZAK	CABLE W651	W651	1	1																
			9D7137216510	ケーブル	CABLE		MAZAK	CABLE W651	W651	1	1																
			10D7137206520	ケーブル	CABLE		MAZAK	CABLE W652	W652	1	1																
			11D7137205630	ケーブル	CABLE		MAZAK	CABLE W563	W563	1	1																
			12D7137206051	ケーブル	CABLE		MAZAK	CABLE W605	W605	1	1																
			13D7137206060	ケーブル	CABLE		MAZAK	CABLE W606	W606	1	1																

変更NO	出図NO	識 認	NO	部品番号	部品和	PARTS-NAME	材質	メーカー名	型式	名称補助	A	B	C	D	E	F	G	H	I	J	K	L	M	N	P	Q	製コ	ラシク
HA004E		iC		1D7137204801	ニジキカケアブル	CABLE 2		MAZAK	CABLE W480	W480	1	1	1															
HA004E		iC		2D7137214801	ニジキカケアブル	CABLE 2		MAZAK	CABLE W480	W480			1	1	1													
				3-																								
				4-				ic																				
				5-																								

機種分類 : 3720 / INTEGEX 100Ⅲ

/ 51 / TURRET AIR BLOW

変更NO	出図NO	識区	ユニットNO	ユニット仕様	対応組図	対応組図	対応組図	対応組図	対応組図	関連変番
		A	73725100100	TURRET AIR BLOW						

変更NO	出図NO	識 認 NO	部品番号	部品和	PARTS-NAME	材質	メーカー名	型式	名称補助	A	B	C	D	E	F	G	H	J	K	L	M	N	P	Q	製 コ	行 ヅ
			1 D7137204340	ニジ キンケ-ブ*ル	CABLE 2		MAZAK	CABLE W434	W434	-1																
			2 D7137204350	ニジ キンケ-ブ*ル	CABLE 2		MAZAK	CABLE W435	W435	1																
			3-																							
			4-																							
			5-																							

変更NO	出図NO	識 認 NO	部品番号	部品和	PARTS-NAME	材質	メーカー名	型式	名称補助	A	B	C	D	E	F	G	H	J	K	L	M	N	P	Q	取口 寸法
			1D7137204150	ニジ・キソケ-ブル	CABLE 2		MAZAK	CABLE W415	W415	1															
			2-																						
			3D7137205230	ニジ・キソケ-ブル	CABLE 2		MAZAK	CABLE W523	W523					1											
			4D7137215750	ニジ・キソケ-ブル	CABLE 2		MAZAK	CABLE W575	W575						1	1									
			5D7137215770	ニジ・キソケ-ブル	CABLE 2		MAZAK	CABLE W577	W577							1									
			6D7137205751	ニジ・キソケ-ブル	CABLE 2		MAZAK	CABLE W575	W575							-1	-1								
			7D7137205772	ニジ・キソケ-ブル	CABLE 2		MAZAK	CABLE W577	W577								-1								

変更NO	出図NO	識 認	認 NO	部品番号	部品和	PARTS-NAME	材質	メーカー名	型式	名称補助	A	B	C	D	E	F	G	H	J	K	L	M	N	P	Q	製 造 所
HA002E		IC		1D7137204111	ニジ・キカケ-ア'ル	CABLE 2		MAZAK	CABLE W411	W411	1		1													
HA001E		IC		2D7137214111	ニジ・キカケ-ア'ル	CABLE 2		MAZAK	CABLE W411	W411	1		1		1											
				3D7137204190	ニジ・キカケ-ア'ル	CABLE 2		MAZAK	CABLE W419	W419	1		1													
HA005E		PA		4D7137214191	ニジ・キカケ-ア'ル	CABLE 2		MAZAK	CABLE W419	W419			1		1											
				5-																						

機種分類 : 3720 / INTEGEX 100Ⅲ

/ 58 / INDICATOR LIGHT, PATO LIGHT

変更NO	出図NO	識区	ユニットNO	ユニット仕様	対応組図	対応組図	対応組図	対応組図	対応組図	対応組図	関連変番
		A	73725800100	CYCLE FINISH LIGHT							
		B	73725800200	3 COLOR MACHINE CONDITION LIGHT							

変更NO	出図NO	識 認 NO	部品番号	部品和	PARTS-NAME	材質	メーカー名	型式	名称補助	A	B	C	D	E	F	G	H	J	K	L	M	N	P	Q	製 コ 作
			1D20SB003741	ヒョウ'ライト	INDICATOR LIGHT		PATLITE	LEL-302W-RYG B409	HL10/11/12	1															
			2D20SB004191	ヒョウ'ライト	INDICATOR LIGHT		PATLITE	LEL-102W-Y B409	HL11	1															
			3-																						
			4D7137205130	ニシ'キカン'ブル	CABLE 2		MAZAK	CABLE W513	W513	1															
			5D7137205140	ニシ'キカン'ブル	CABLE 2		MAZAK	CABLE W514	W514	1															
			6-																						
			7-																						

機種分類 : 3720 / INTEGEX 100Ⅲ

/ 59 / PARTS CATCHER

変更NO	出図NO	識区	ユニットNO	ユニット仕様	対応組図	対応組図	対応組図	対応組図	対応組図	関連変番
		A	73725900100	PARTS CATCHER						
HA005E		UA B	73725900200	PARTS CATCHER WITH WORK CONVEYOR						

変更NO	出図NO	識 認 NO	部品番号	部品和	PARTS-NAME	材質	メーカー名	型式	名称補助	A	B	C	D	E	F	G	H	J	K	L	M	N	P	Q	製口	ラック
			1D7137205270	ニジキソケ-ブル	CABLE 2		MAZAK	CABLE W527	W527	1																
			2D7137205290	ニジキソケ-ブル	CABLE 2		MAZAK	CABLE W529	W529	1																
			3-																							
HA005E		PA	4D7137206490	ニジキソケ-ブル	CABLE 2		MAZAK	CABLE W649	W649	1																
			5-																							

機種分類 : 3720 / INTEGEX 100Ⅲ

/ 60 / AUTO POWER ON/OFF, WARM UP

変更NO	出図NO	識区	ユニットNO	ユニット仕様	対応組図	対応組図	対応組図	対応組図	対応組図	関連変番
HA001E		UA A	73726000100	AUTO POWER ON/OFF, WARM UP						

変更NO	出図NO	識	認	NO	部品番号	部品和	PARTS-NAME	材質	メーカー名	型式	名称補助	A	B	C	D	E	F	G	H	J	K	L	M	N	P	Q	取付場所	
			YS	1	D21PA000800	LED	LED		OKAYA	BD-1612G-24	HL144	1															C	
				2	D13FA001910	SELECT SW	SELECT SW		FUJI	AH165-2P2B22	SA44	1																C
				3-																								
				4-																								
				5	D7137206031	ニジキカンケーブル	CABLE 2		MAZAK	CABLE W603	W603	1																
				6	D7137206040	ニジキカンケーブル	CABLE 2		MAZAK	CABLE W604	W604	1																
				7-																								

機種分類 : 372 / INTEGEX 100Ⅲ

/ 63 / AUTO D00R

変更NO	出図NO	識区	ユニットNO	ユニット仕様	対応組図	対応組図	対応組図	対応組図	対応組図	関連変番
HA005E		UA A	73726300100	AUTO D00R						

変更NO	出図NO	識 認	NO	部品番号	部品和	PARTS-NAME	材質	メーカー名	型式	名称補助	A	B	C	D	E	F	G	H	J	K	L	M	N	P	Q	製 造 記 号
				1D15FA003310	ボタ ンSW	PUSH BOTTON SW		FUJI	AR22 G3R-11B	SB31, 32	2														C	
		YS		2D21PA000800	LED	LED		OKAYA	BD-3612G-24	HL77	1															C
				6D7137206320	ニジキ ャンケ ーブル	CABLE 2		MAZAK	CABLE W632	W632	1															
				7D7137206330	ニジキ ャンケ ーブル	CABLE 2		MAZAK	CABLE W633	W633	1															
				8D7137215630	ニジキ ャンケ ーブル	CABLE 2		MAZAK	CABLE W563	W563	1															
				9D7137206180	ニジキ ャンケ ーブル	CABLE 2		MAZAK	CABLE W618	W618	1															
				10D7137216050	ニジキ ャンケ ーブル	CABLE 2		MAZAK	CABLE W605	W605	1															

機種分類 : 3720 / INTEGEX 100Ⅲ

/ 66 / COOLANT CHILLER

変更NO	出図NO	識区	ユニットNO	ユニット仕様	対応組図	対応組図	対応組図	対応組図	対応組図	関連変番
HA001E		UA A	73726600100	COOLANT CHILLER						

変更NO	出図NO	識	認 NO	部品番号	部品和	PARTS-NAME	材質	メーカー名	型式	名称補助	A	B	C	D	E	F	G	H	J	K	L	M	N	P	Q	取コラック
				1D7137207700	ニジキオンケーブル	CABLE 2		MAZAK	CABLE W770	W770	1															
				2D7137207710	ニジキオンケーブル	CABLE 2		MAZAK	CABLE W771	W771	1															
				3D7137207720	ニジキオンケーブル	CABLE 2		MAZAK	CABLE W772	W772	1															
				4D7137207730	ニジキオンケーブル	CABLE 2		MAZAK	CABLE W773	W773	1															
				5-																						
				6-																						

機種分類 : 3720 / INTEGEX 100Ⅲ

/ 67 / OIL SKIMER

変更NO	出図NO	識区	ユニットNO	ユニット仕様	対応組図	対応組図	対応組図	対応組図	対応組図	関連変番
HA004E		UC A	73726700101	OIL SKIMER						

変型NO	出図NO	識	認	NO	部品番号	部品和	PARTS-NAME	材質	メーカー名	型式	名称補助	A	B	C	D	E	F	G	H	J	K	L	M	N	P	Q	製	コ	ラ	ン	ク			
HA004E		iC		1	D7137207661	ニジキカンブ ^ル	CABLE 2		MAZAK	CABLE W766	W766	1																						
				2-																														
				3-																														

機種分類 : 3720 / INTEGEX 100III

/ 68 / MIST COLLECTOR

変更NO	出図NO	識区	ユニットNO	ユニット仕様	対応組図	対応組図	対応組図	対応組図	対応組図	関連変番
		A	73726800100	MIST COLLECTOR						

変更NO	出図NO	職	認	NO	部品番号	部品和	PARTS-NAME	材質	メーカー名	型式	名称補助	A	B	C	D	E	F	G	H	I	J	K	L	M	N	P	Q	製コ	ラシク
					1	D713720770	ニジキケンケーブル	CABLE 2	MAZAK	CABLE W777	W777	1																	
					2-																								
					3-																								
					4-																								

機種分類 : 3720 / INTEGEX 100III

/ 70 / 2nd. TURRET

変更NO	出図NO	識区	ユニットNO	ユニット仕様	対応組図	対応組図	対応組図	対応組図	対応組図	関連変番
		UC A	73727000101	100III T SPEC. [JPN]						
		UC B	73727000201	100III T SPEC. [YMC]						
HA001E		UC C	73727000301	100III T SPEC. [YME]						
		UC D	73727000401	100III ST SPEC. [JPN]						
		UC E	73727000501	100III ST SPEC. [YMC]						
HA001E		UC F	73727000601	100III ST SPEC. [YME]						

変更NO	出図NO	識	認	NO	部品番号	部品和	PARTS-NAME	材質	メーカー名	型式	名称補助	A	B	C	D	E	F	G	H	J	K	L	M	N	P	Q	駆コランク
		PA			1D7137205710	ニジキカンケーブル	CABLE 2		MAZAK	CABLE W570	W570			1			1										
					2-																						
HA001E		IC			3D7137207000	ニジキカンケーブル	CABLE 2		MAZAK	CABLE W700	W700	1	1	1	1	1	1										
					4D7137207011	ニジキカンケーブル	CABLE 2		MAZAK	CABLE W701	W701	1	1	1	1	1	1										
					5-																						
					6-																						
					7-																						

機種分類 : 3720 / INTEGEX 100Ⅲ

/ 73 / CHUCK PRESSUER SW

変更NO	出図NO	識区	ユニットNO	ユニット仕様	対応組図	対応組図	対応組図	対応組図	対応組図	関連変番
HA004E		UC A	73727300102	100Ⅲ/100ⅢT SPEC.						
HA004E		UC B	73727300202	100ⅢS/100ⅢST SPEC.						
HA005E		UA C	73727300300	100ⅢS/100ⅢST SPEC. WITH SS CHUCK PRESS. SELECT SPEC.						

変更NO	出図NO	識 認	NO	部品番号	部品和	PARTS-NAME	材質	メーカー名	型式	名称補助	A	B	C	D	E	F	G	H	J	K	L	M	N	P	Q	製コラック
HA004E		IC		1 D7137204172	ニジ キンケープル	CABLE 2		MAZAK	CABLE W417	W417	1	1	1													
				2-																						
HA004E		IC		3 D7137205772	ニジ キンケープル	CABLE 2		MAZAK	CABLE W577	W577		1														
HA005E		PA		4 D7137215770	ニジ キンケープル	CABLE 2		MAZAK	CABLE W577	W577			1													
				5-																						

変更NO	出図NO	職	認	NO	部品番号	部品和	PARTS-NAME	材質	メーカー名	型式	名称補助	A	B	C	D	E	F	G	H	I	J	K	L	M	N	P	Q	要コ	ランク
					1	D71535Z0642	ケーブル	CABLE		HOKKO	KEYBOARD/MOUSE CABLE	2			1	1													
					2	D71535Z0661	ケーブル	CABLE		HOKKO	MOUSE CABLE	1				1	1												
					3	D71535Z0670	ケーブル	CABLE		HOKKO	PRINTER PORT CABLE	1					1	1											

機種分類 : 3720 / INTEGEX 100III

/ 78 / FLASH TOOL

変更NO	出図NO	識区	ユニットNO	ユニット仕様	対応組図	対応組図	対応組図	対応組図	対応組図	対応組図	関連変番
		A	73727800100	FLASH TOOL							

変更NO	出図NO	識 認	NO	部品番号	部品和	PARTS-NAME	材質	メーカー名	型式	名称補助	A	B	C	D	E	F	G	H	I	J	K	L	M	N	P	Q	部 品 名
				1	D14FA000580	セレクトプッシュ	SELECT PUSH SW	FUJI	AH165-2S2B22	SA10	1																
				2																							
				3	D7137207980	ニジキカンケーブル	CABLE 2	MAZAK	CABLE W798	W798	1																
				4																							
				5																							

機種分類 : 3720 / INTEGREGX 100Ⅲ

/ 80 / OPTION COOLANT 1

変更NO	出図NO	識区	ユニットNO	ユニット仕様	対応組図	対応組図	対応組図	対応組図	対応組図	関連変番
		A	73728000100	WORK WASH COOLANT/SPINDLE THROUGH COOLANT [JPN]						
		B	73728000200	WORK WASH COOLANT/SPINDLE THROUGH COOLANT [YMC]						
		C	73728000300	WORK WASH COOLANT/SPINDLE THROUGH COOLANT [YME]						
HA002E		UC D	73728000401	CONSEP 2000 II COOLANT/SHOWER COOLANT [JPN]						
HA002E		UC E	73728000501	CONSEP 2000 II COOLANT/SHOWER COOLANT [YMC]						
HA002E		UC F	73728000601	CONSEP 2000 II COOLANT/SHOWER COOLANT [YME]						
HA002E		UC G	73728000701	2nd. TURRET COOLANT [JPN] (EXCEPT CHIP CLEANING COOLANT SPEC)						
HA002E		UC H	73728000801	2nd. TURRET COOLANT [YMC] (EXCEPT CHIP CLEANING COOLANT SPEC)						
HA002E		UC J	73728000901	2nd. TURRET COOLANT [YME] (EXCEPT CHIP CLEANING COOLANT SPEC)						
HA002E		UA K	73728001000	CHIP CLEANING COOLANT (BACK SIDE CHIP CONV.) 100ⅢS [JPN]						
HA002E		UA L	73728001100	CHIP CLEANING COOLANT (BACK SIDE CHIP CONV.) 100ⅢS [YMC]						

変更NO	出図NO	識区	ユニットNO	ユニット仕様	対応組図	対応組図	対応組図	対応組図	対応組図	関連変番
HA002E		UA M	73728001200	CHIP CLEANING COOLANT (BACK SIDE CHIP CONV.) 100ⅢS [YME]						
HA002E		UA N	73728001300	CHIP CLEANING COOLANT (BACK SIDE CHIP CONV.) 100Ⅲ/T/ST [JPN]						
HA002E		UA P	73728001400	CHIP CLEANING COOLANT (BACK SIDE CHIP CONV.) 100Ⅲ/T/ST [YMC]						
HA002E		UA Q	73728001500	CHIP CLEANING COOLANT (BACK SIDE CHIP CONV.) 100Ⅲ/T/ST [YME]						

変更NO	出図NO	識 認 NO	部品番号	部品和	PARTS-NAME	材質	メーカー名	型式	名称補助	A	B	C	D	E	F	G	H	I	J	K	L	M	N	P	Q	製コ ラシク
			1 D7137207940	ニジキカンケ-ブル	CABLE 2		MAZAK	CABLE W794	W794							1	1	1	1	1	1	1				
			2 D7137207950	ニジキカンケ-ブル	CABLE 2		MAZAK	CABLE W795	W795	1	1															
			3 D7137207960	ニジキカンケ-ブル	CABLE 2		MAZAK	CABLE W796	W796				1	1	1											
HA002E		PA	4 D7137217940	ニジキカンケ-ブル	CABLE 2		MAZAK	CABLE W794	W795														1	1	1	

変更NO	出図NO	識	認	NO	部品番号	部品和	PARTS-NAME	材質	メーカー名	型式	名称補助	A	B	C	D	E	F	G	H	I	J	K	L	M	N	P	Q	製	コ	ラン
					1	D7137205220	ニジ ケンケ-ブル	CABLE 2		MAZAK	CABLE W522	W522	1																	
					2	D7137205240	ニジ ケンケ-ブル	CABLE 2		MAZAK	CABLE W524	W524		1																
HA002E		PA			3	D7137205250	ニジ ケンケ-ブル	CABLE 2		MAZAK	CABLE W525	W525	1																	
HA002E		PA			4	D7137207210	ニジ ケンケ-ブル	CABLE 2		MAZAK	CABLE W721	W721			1															
					5																									

機種分類 : 3721 / INTEGEX 100III

/ 82 / 35K COOLANT

変更NO	出図NO	識区	ユニットNO	ユニット仕様	対応組図	対応組図	対応組図	対応組図	対応組図	関連変番
HA004E		UA A	73728200100	35K COOLANT						
HA004E		UA B	73728200200	35K COOLANT WITH TURRET 2 COOLANT SOL SPEC						

変更NO	出図NO	識 認 NO	部品番号	部品和	PARTS-NAME	材質	メーカー名	型式	名称補助	A	B	C	D	E	F	G	H	J	K	L	M	N	P	Q	製コ ランク
			1D7137207170	ニジキカンケ-ブル	CABLE 2		MAZAK	CABLE W717	W717	1	1														
			2D7137217210	ニジキカンケ-ブル	CABLE 2		MAZAK	CABLE W721	W721	1															
			3D7137257210	ニジキカンケ-ブル	CABLE 2		MAZAK	CABLE W721	W721		1														
			4D7137207211	ニジキカンケ-ブル	CABLE 2		MAZAK	CABLE W721	W721			-1													

機種分類 : 3720 / INTEGRIX 100III

/ 83 / MAGNUM COOLANT

変更NO	出図NO	識区	ユニットNO	ユニット仕様	対応組図	対応組図	対応組図	対応組図	対応組図	関連変番
		UA A	73728300100	MAGNUM COOLANT [100III CHIP CONV.] WITHOUT BACK SIDE						
		UA B	73728300200	MAGNUM COOLANT [100III CHIP CONV.] WITH BACK SIDE						
		UA C	73728300300	MAGNUM COOLANT [100III CHIP CONV.] WITHOUT BACK SIDE						
		UA D	73728300400	MAGNUM COOLANT [100III CHIP CONV.] WITH BACK SIDE						
		UA E	73728300500	MAGNUM COOLANT [100III CHIP CONV.] WITHOUT BACK SIDE						
		UA F	73728300600	MAGNUM COOLANT [100III CHIP CONV.] WITH BACK SIDE						

変更NO	出図NO	識 認 NO	部品番号	部品和	PARTS-NAME	材質	メーカー名	型式	名称補助	A	B	C	D	E	F	G	H	J	K	L	M	N	P	Q	製コランク
			1	D7137207190	ニジキカンケーブル	CABLE 2		MAZAK	CABLE W719	W719	1	1	1	1	1										
			2	-																					
			3	D7137217210	ニジキカンケーブル	CABLE 2		MAZAK	CABLE W721	W721	1	1	1	1											
			4	D7137257210	ニジキカンケーブル	CABLE 2		MAZAK	CABLE W721	W721					1	1									
			5	D7137207211	ニジキカンケーブル	CABLE 2		MAZAK	CABLE W721	W721					-1	-1									
			6	-																					
			7	D7137207940	ニジキカンケーブル	CABLE 2		MAZAK	CABLE W794	W794	1	-1	-1	-1	-1										
			8	D7137217940	ニジキカンケーブル	CABLE 2		MAZAK	CABLE W794	W794	1	1	1	1	1										

機種分類 : 3720 / INTEGEX 100III

/ 84 / YMC HIGH COOLANT

変更NO	出図NO	識区	ユニットNO	ユニット仕様	対応組図	対応組図	対応組図	対応組図	対応組図	関連変番
HA004E		UA A	73728400100	YMC HIGH COOLANT [100III SIDE CHIP CONV.] WITHOUT BACK						
HA004E		UA B	73728400200	YMC HIGH COOLANT [100III SIDE CHIP CONV.] WITH BACK						
HA004E		UA C	73728400300	YMC HIGH COOLANT [100III SIDE CHIP CONV.] WITHOUT BACK						
HA004E		UA D	73728400400	YMC HIGH COOLANT [100III SIDE CHIP CONV.] WITH BACK						
HA004E		UA E	73728400500	YMC HIGH COOLANT [100III SIDE CHIP CONV.] WITHOUT BACK						
HA004E		UA F	73728400600	YMC HIGH COOLANT [100III SIDE CHIP CONV.] WITH BACK						

変更NO	出図NO	識 認 NO	部品番号	部品和	PARTS-NAME	材質	メーカー名	型式	名称補助	A	B	C	D	E	F	G	H	J	K	L	M	N	P	Q	製コ	ランク
			1D7137207190	ニジキカンケーブル	CABLE 2		MAZAK	CABLE W719	W719	1		1	1	1	1											
			2-																							
			3D7137217210	ニジキカンケーブル	CABLE 2		MAZAK	CABLE W721	W721	1	1	1	1													
			4D7137257210	ニジキカンケーブル	CABLE 2		MAZAK	CABLE W721	W721					1	1											
			5D7137207211	ニジキカンケーブル	CABLE 2		MAZAK	CABLE W721	W721						-1	-1										
			6-																							
			7D7137207940	ニジキカンケーブル	CABLE 2		MAZAK	CABLE W794	W794	1	-1	-1			-1											
			8D7137217940	ニジキカンケーブル	CABLE 2		MAZAK	CABLE W794	W794			1	1		1											
			9-																							

機種分類 : 3720 / INTEGEX 100Ⅲ / 85 / YME HIGH COOLANT

変更NO	出図NO	識区	ユニットNO	ユニット仕様	対応組図	対応組図	対応組図	対応組図	対応組図	関連変番
HA004E		UA A	73728500100	YME HIGH COOLANT						
HA004E		UA B	73728500200	YME HIGH COOLANT WITH TURRET 2 COOLANT SOL SPEC						

変更NO	出図NO	識 認	NO	部品番号	部品和	PARTS-NAME	材質	メーカー名	型式	名称補助	A	B	C	D	E	F	G	H	I	J	K	L	M	N	P	Q	製コ	ラック
				1	D7137217210	ニジ'キリケンケ-ブル	CABLE 2		MAZAK	CABLE W721	W721	1																
				2	D7137257210	ニジ'キリケンケ-ブル	CABLE 2		MAZAK	CABLE W721	W721	1																
				3	D7137207211	ニジ'キリケンケ-ブル	CABLE 2		MAZAK	CABLE W721	W721	-1																
				4-																								

機種分類 : 3720 / INTEGEX 100Ⅲ

/ 89 / MAZA-CARE

変更NO	出図NO	識区	ユニットNO	ユニット仕様	対応組図	対応組図	対応組図	対応組図	対応組図	関連変番
003E		UA A	73728900100	MAZA-CARE UNIT 取付け						
003E		UA B	73728900200	MAZA-CARE UNIT 未取付け						

変更NO	出図NO	識 認	NO	部品番号	部品和	PARTS-NAME	材質	メーカー名	型式	名称補助	A	B	C	D	E	F	G	H	J	K	L	M	N	P	Q	製コ	ランク
003E		PA		1 D41HF000110	モス システム ユニット	MOS SYSTEM UNIT		AU	MS1-C314T (au)	A20	1																
003E		PA		2 D82ZZ001850	シリコン ユニタカート	SERIAL EXTEND CARD		フロッグシステム	REX-5056V	A21	1																
003E		PA		3 D64ND008380	シールクネクタ	SEAL CONNECTOR		ニッポ ｼﾌﾞﾚｯｸｽ	HK-22PA			1															

Mazak

YAMAZAKI MAZAK CORPORATION

1 Norifune, Oguchi-cho, Niwa-gun,
Aichi-pref., Japan
Phone: Oguchi (0587)95-1131
Facsimile: 0587-95-2717

MAZAK CORPORATION

8025 Production Drive,
Florence, KY41042
U.S.A.
Phone: 859-342-1700
Facsimile: 859-342-1865

YAMAZAKI MAZAK EUROPE, N.V.

Research Park, Grauwmeer 7
3001 Leuven,
BELGIUM
Phone: 16-39-1611
Facsimile: 16-40-0196

YAMAZAKI MAZAK DEUTSCHLAND GmbH

Esslinger Strasse 4-6
D-73037 Goepfingen
GERMANY
Phone: 7161-6750
Facsimile: 7161-675274

YAMAZAKI MAZAK U.K. LTD.

Badgeworth Drive Worcester
WR49NF
UNITED KINGDOM
Phone: 1905-755755
Facsimile: 1905-755001

YAMAZAKI MAZAK SINGAPORE PTE., LTD.

21, Joo Koon Circle,
Jurong, Singapore 629053
Phone: 6862-1131
Facsimile: 6861-9284

URL: www.mazak.com