

Signature Page

00011.20.QDW.00045

Layout Skid 8X0400 CIP Satellite

<u>Name</u>	<u>Role</u>	<u>Reason</u>
Denis Viallon	Design Lead	For Approval For Construction
Tibor Wengritzky	Subject Matter Expert	For Approval For Construction
Dave Donohoe	Verification / Validation Responsible	For Approval For Construction

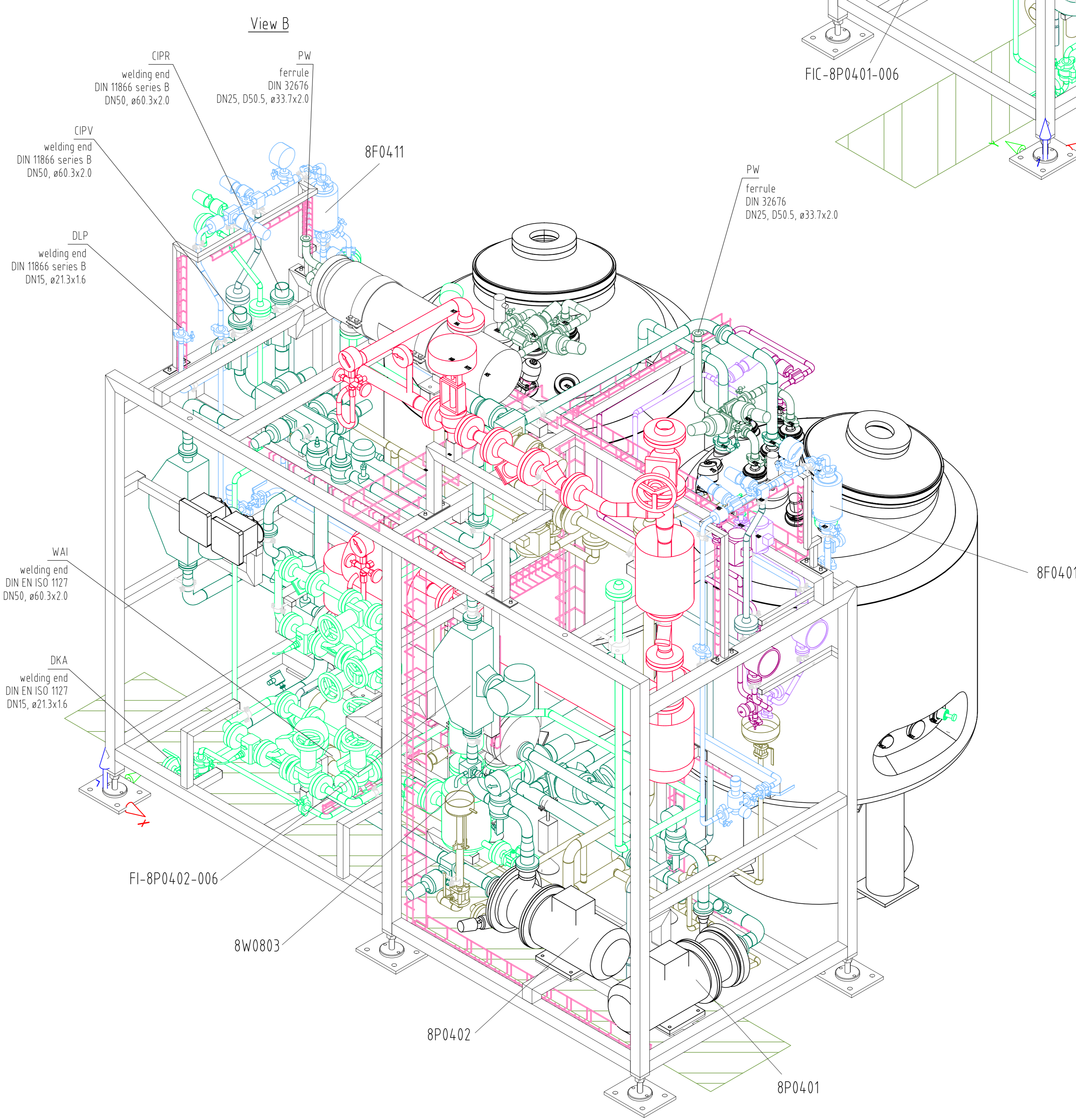
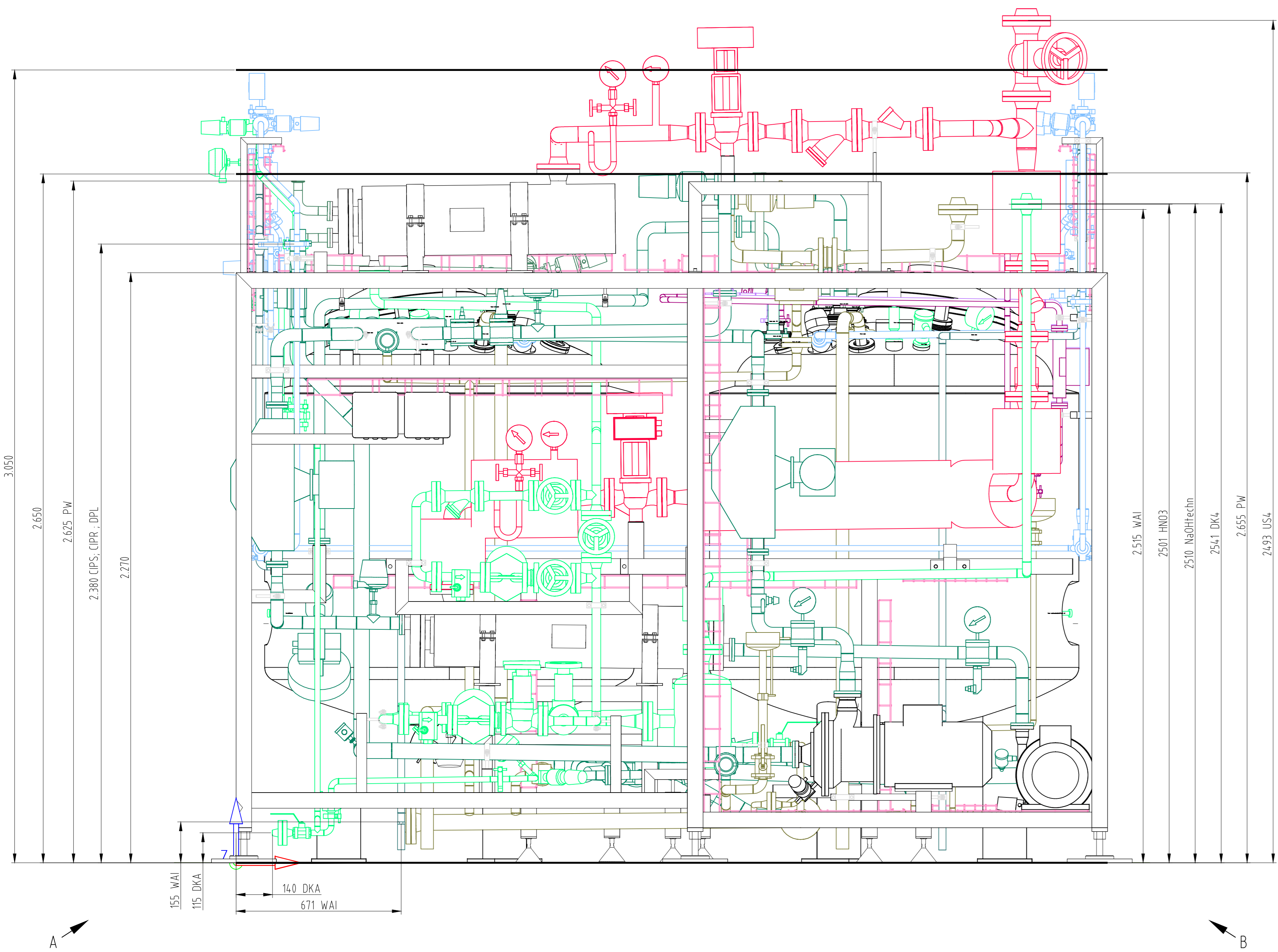
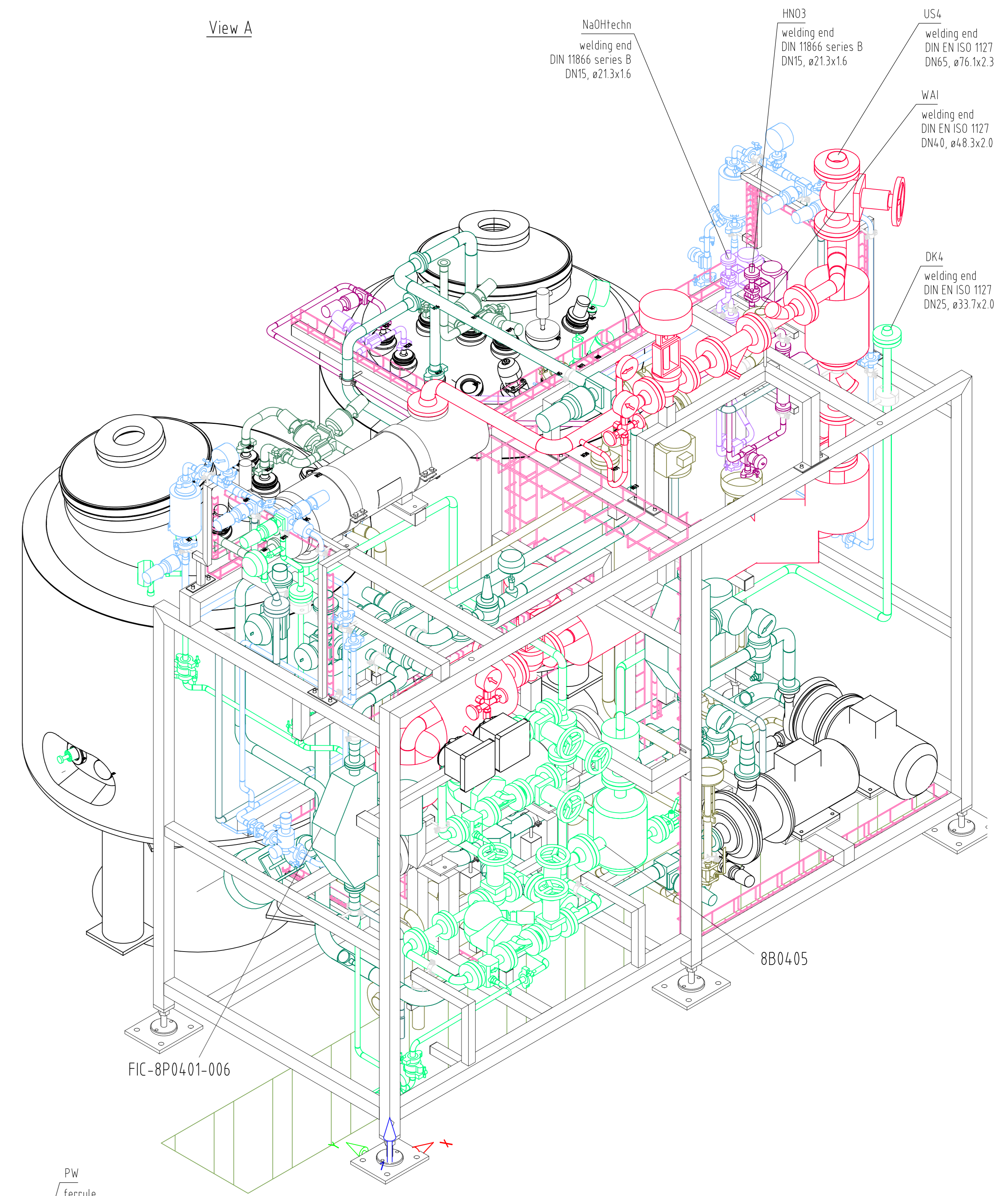
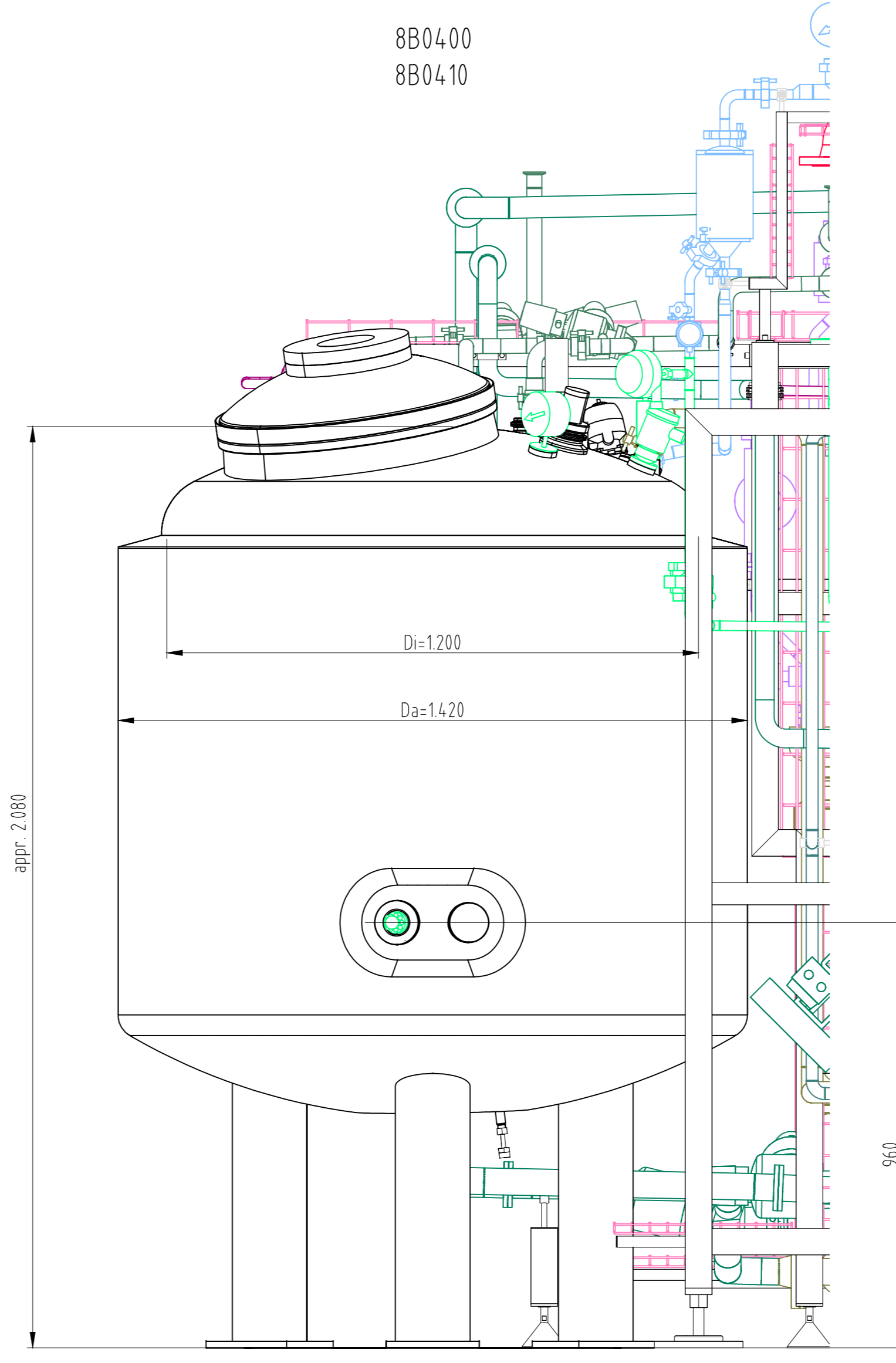
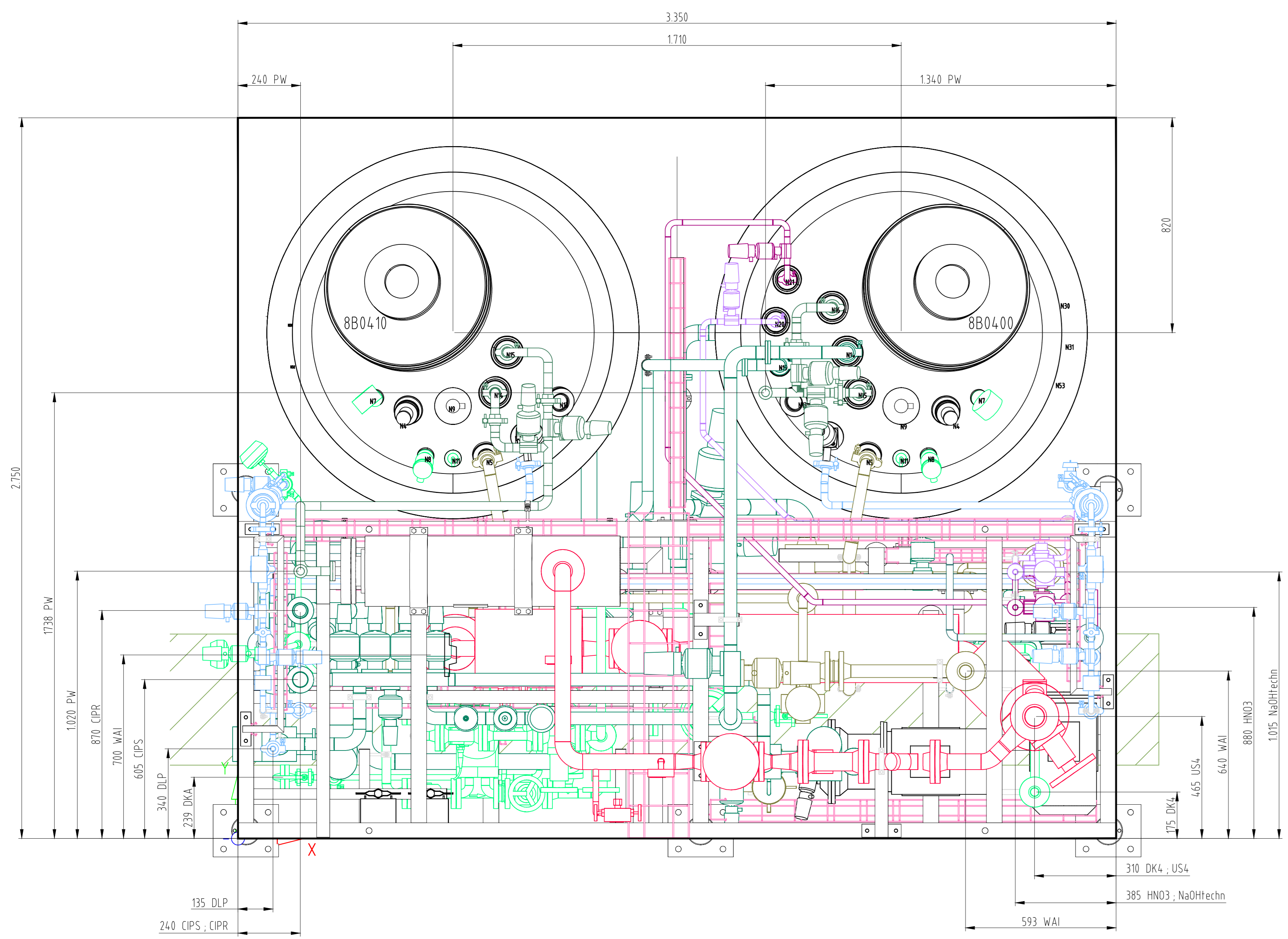
Signed by:

Date YYYY/MM/DD (UTC):

00011.20.QDW.00045, Rev 01 - Approved for Construction - 12-Nov-2019 10:09:36 AM

The signature page has been affixed to 2 pages of this document
including this page
Layout Skid 8X0400 CIP Satellite
(signature page 1 of 1)

--- DO NOT DETACH THIS SIGNATURE PAGE ---



1.0	04.11.2019	LF	MM	Approved DG
1.1	12.02.2019	Str	MM	First issue
Rev	State	Reason	Created	Released
1	01			
Project / project				Project No. / number no.
CSL Behring Recombinant Facility AG				B 094
Switzerland				
Drawing / description				Particular (Partikular)
Layout				
CIP Unit 8X04.00				
CIP Satellites WP_8120				
approved / checked	drawn / drawn	date / date	name / name	signature / signature
		13.02.2019		
approved / checked	drawn / drawn	date / date	name / name	signature / signature
		13.02.2019	M. Müller	
scale / scale	sheet / sheet	total / total	date / date	name / name
B.094.79.008A001	1/1	1/10	1.10	1.0

00011.20.QDW.0045 Rev 01 - Approved for Construction - 12-Nov-2018 10:09:38 AM