

# Signature Page

00011.20.QDW.00051

## 8B0400 Chem Vessel 1000 liters nozzle details

<u>Name</u>	<u>Role</u>	<u>Reason</u>
Denis Viallon	Design Lead	For Approval For Construction

Signed by:

Date YYYY/MM/DD (UTC):

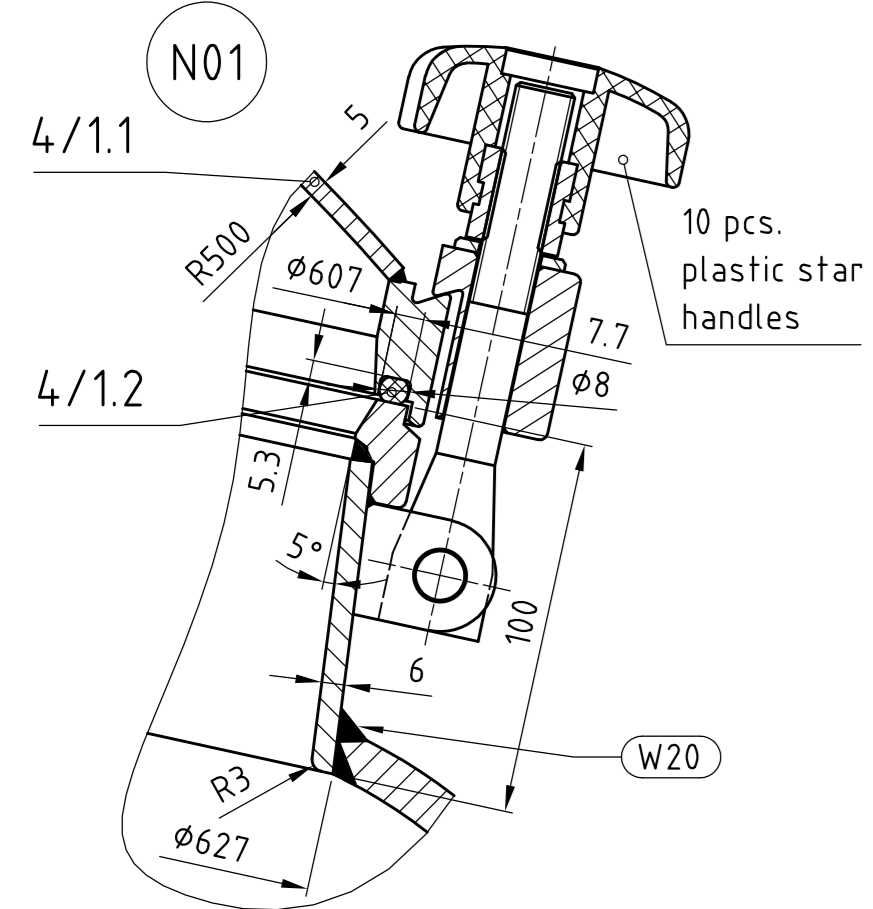
00011.20.QDW.00051; Rev 01 - Approved for Construction - 07-Nov-2019 2:25:32 PM

The signature page has been affixed to 2 pages of this document  
including this page  
8B0400 Chem Vessel 1000 liters nozzle details  
(signature page 1 of 1)

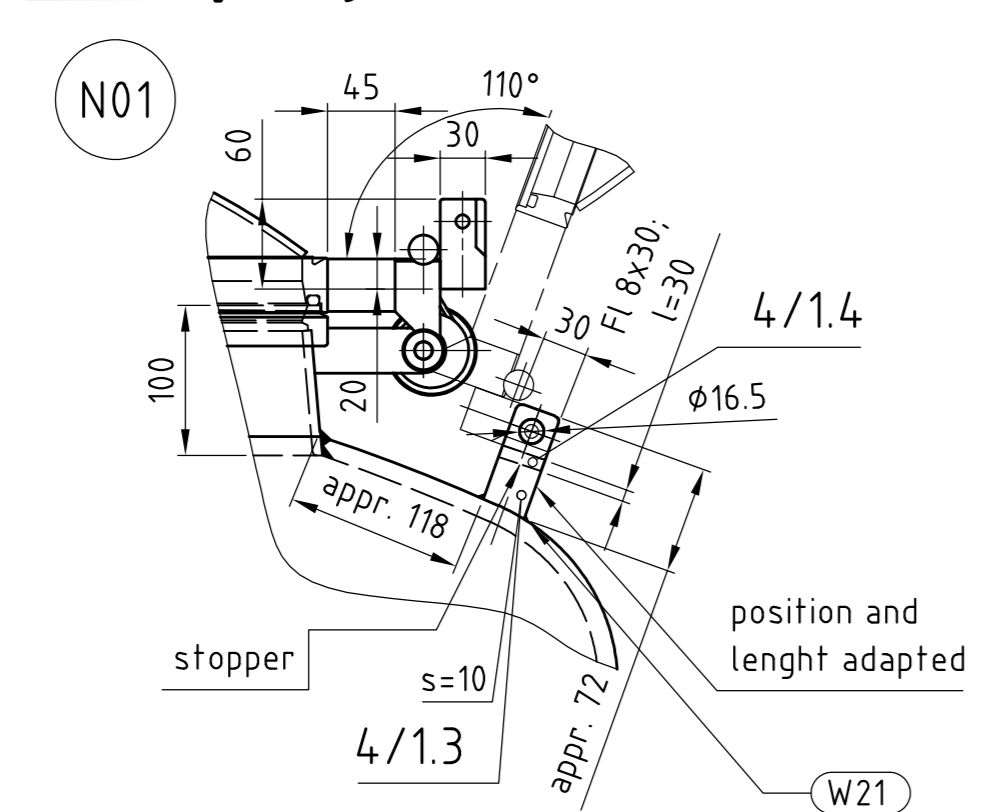
**--- DO NOT DETACH THIS SIGNATURE PAGE ---**

manhole M 1:2

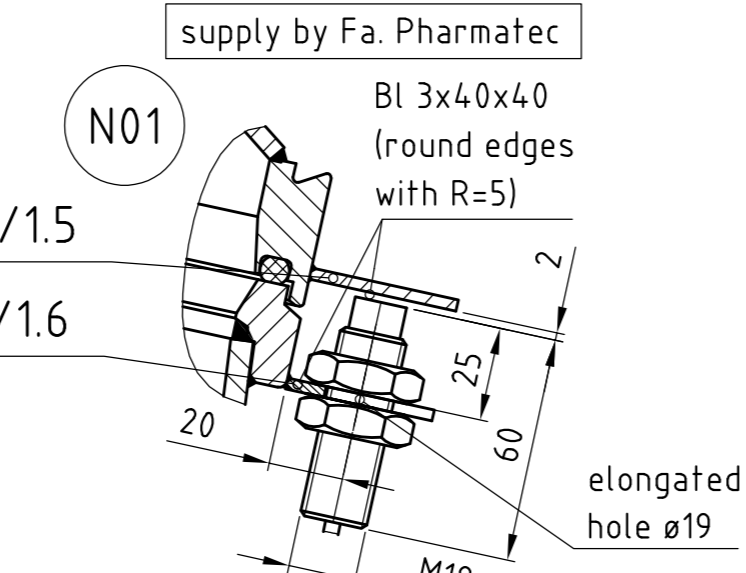
flanges in pharma design with spring assist and safety adjustment



safety adjustment M 1:5

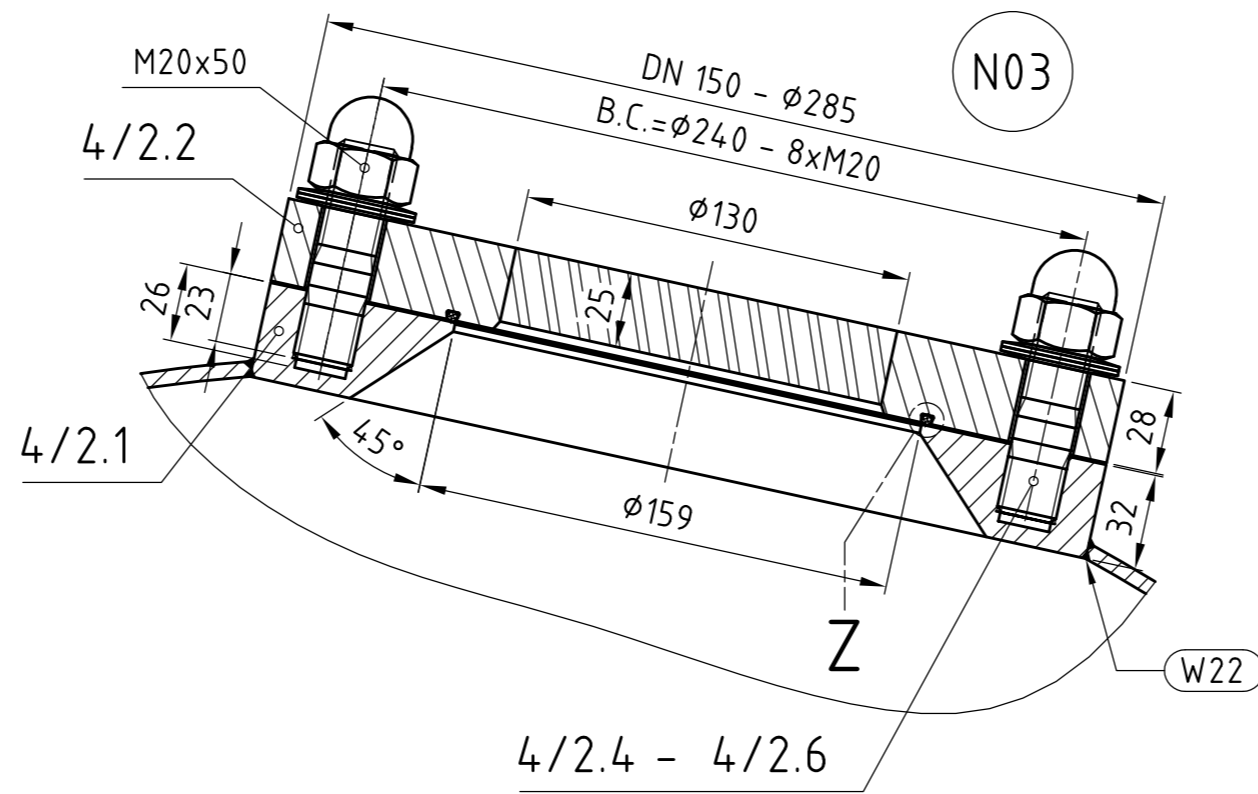


proximity switch M 1:2

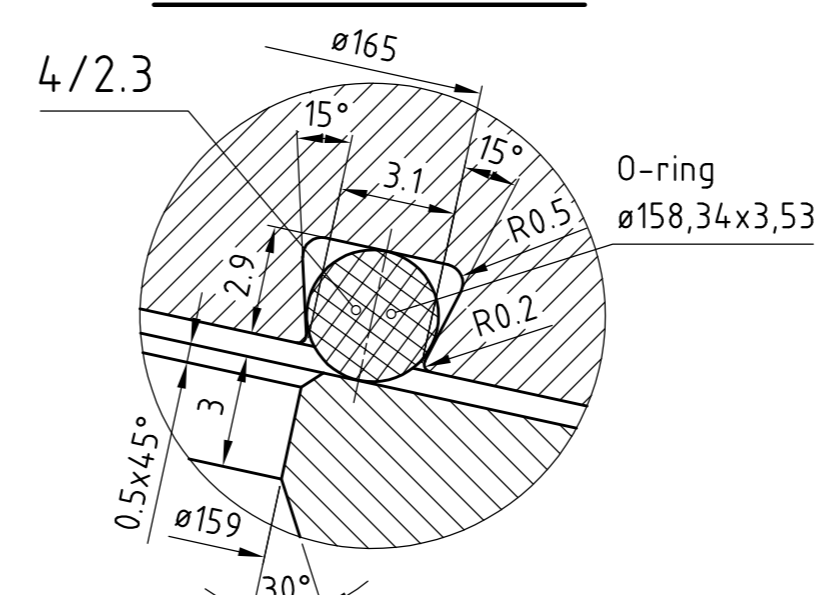


sight glass M 1:2,5

metal fused sight glass DN 150 type 19 Bio (Fabr. Metaglas) fitted on special blockflange DN 150 ring material 1.4462, borosilicate glass acc. to DIN 7080

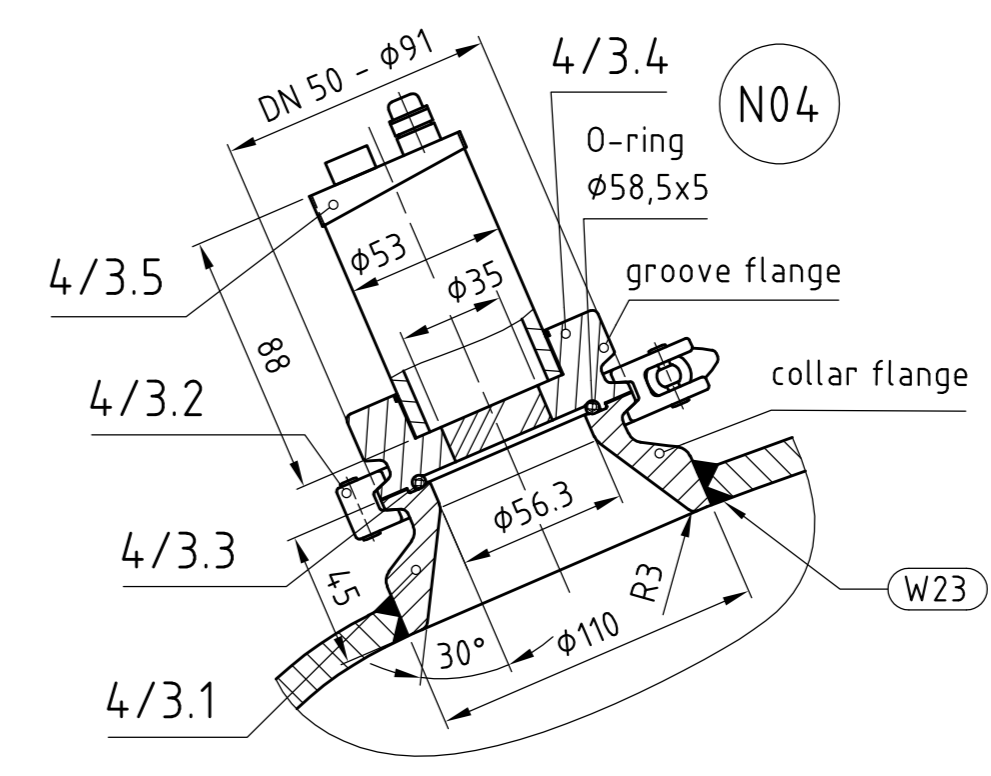


detail Z M 5:1



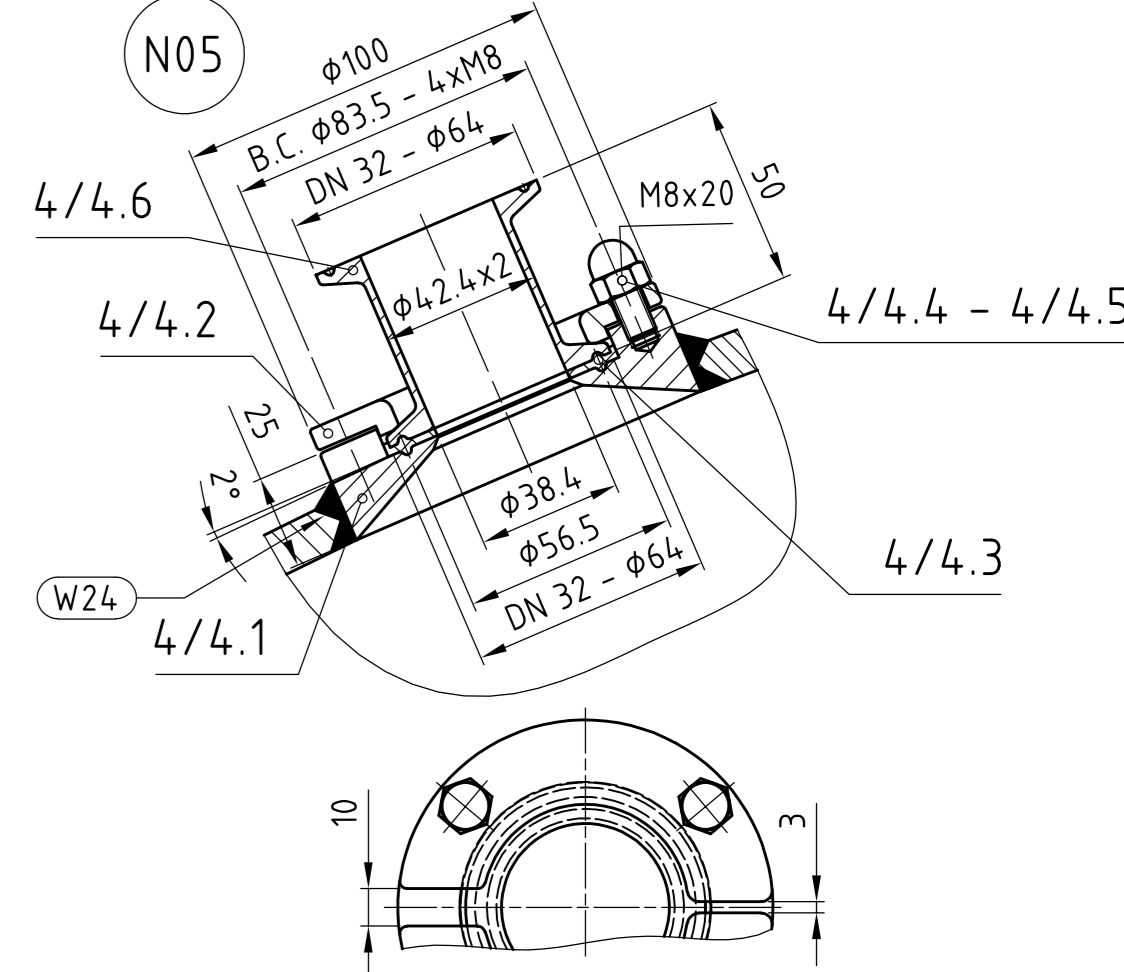
sight glass with light M 1:2,5

metal fused sight glass DN 50 type 85 (Metaglas), fitted on septic block flange DN 50 - DIN 11864-3 with lamp type BKVLR D LED (Max Müller) with pushbutton, chassis: 1.4.301; electric data: 24V, 2W; not for use in Ex-hazardous areas ring material 1.4462, borosilicate glass acc. to DIN 7080

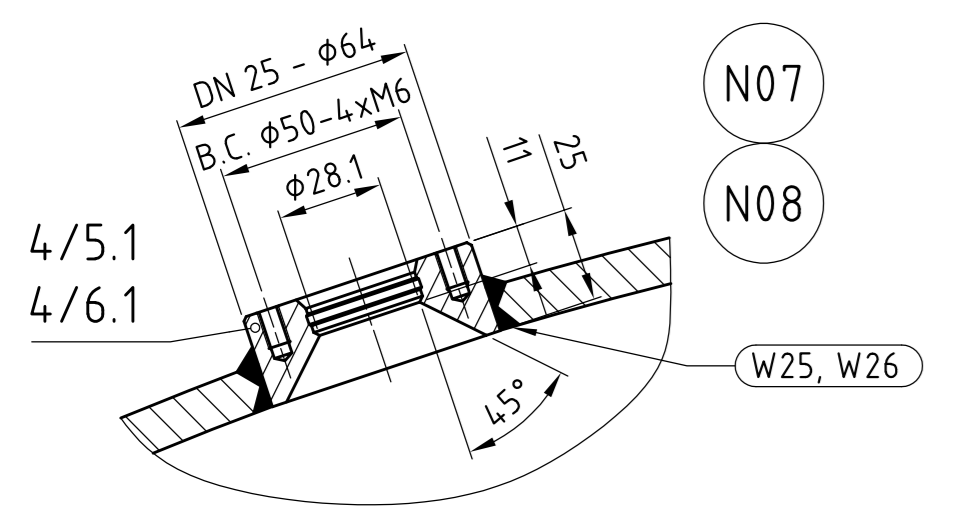


rupture disc M 1:2

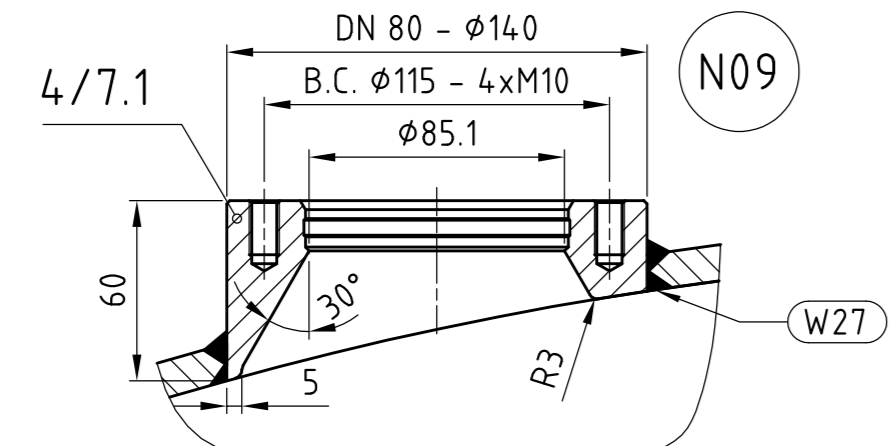
rupture disc not included in the scope of supply from Fa. Hinke distance piece included in the scope of supply from Fa. Hinke



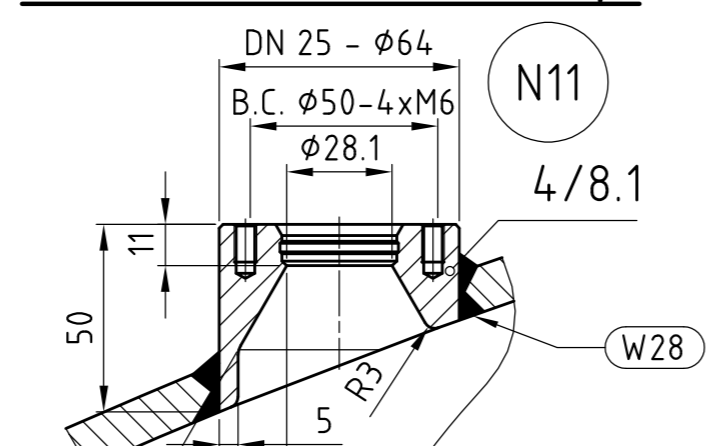
pressure gauge, pressure probe M 1:2



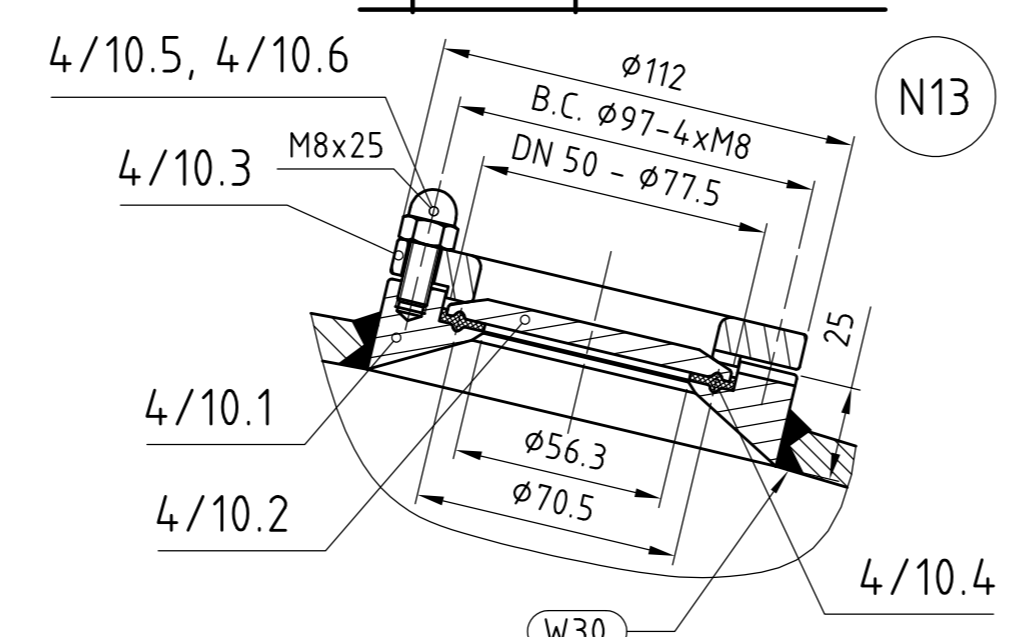
filling level M 1:2,5



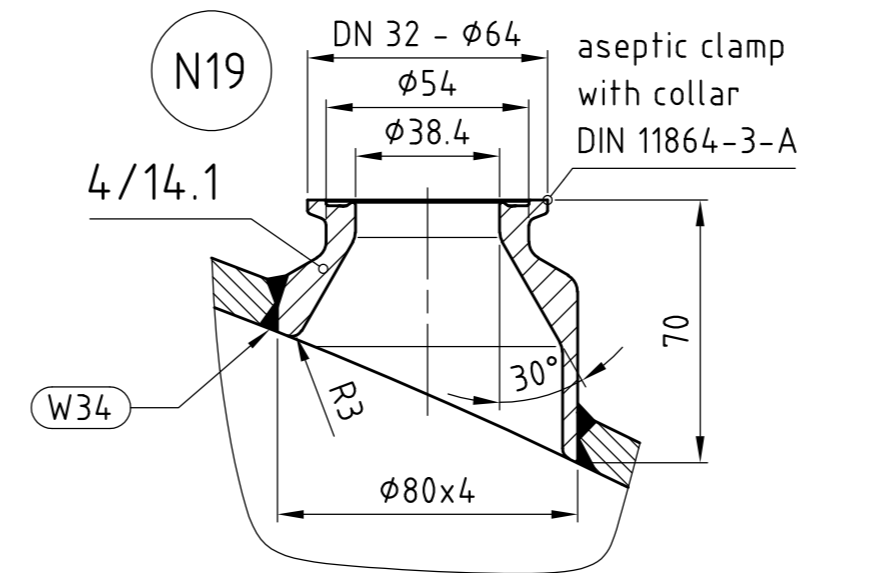
level switch M 1:2,5



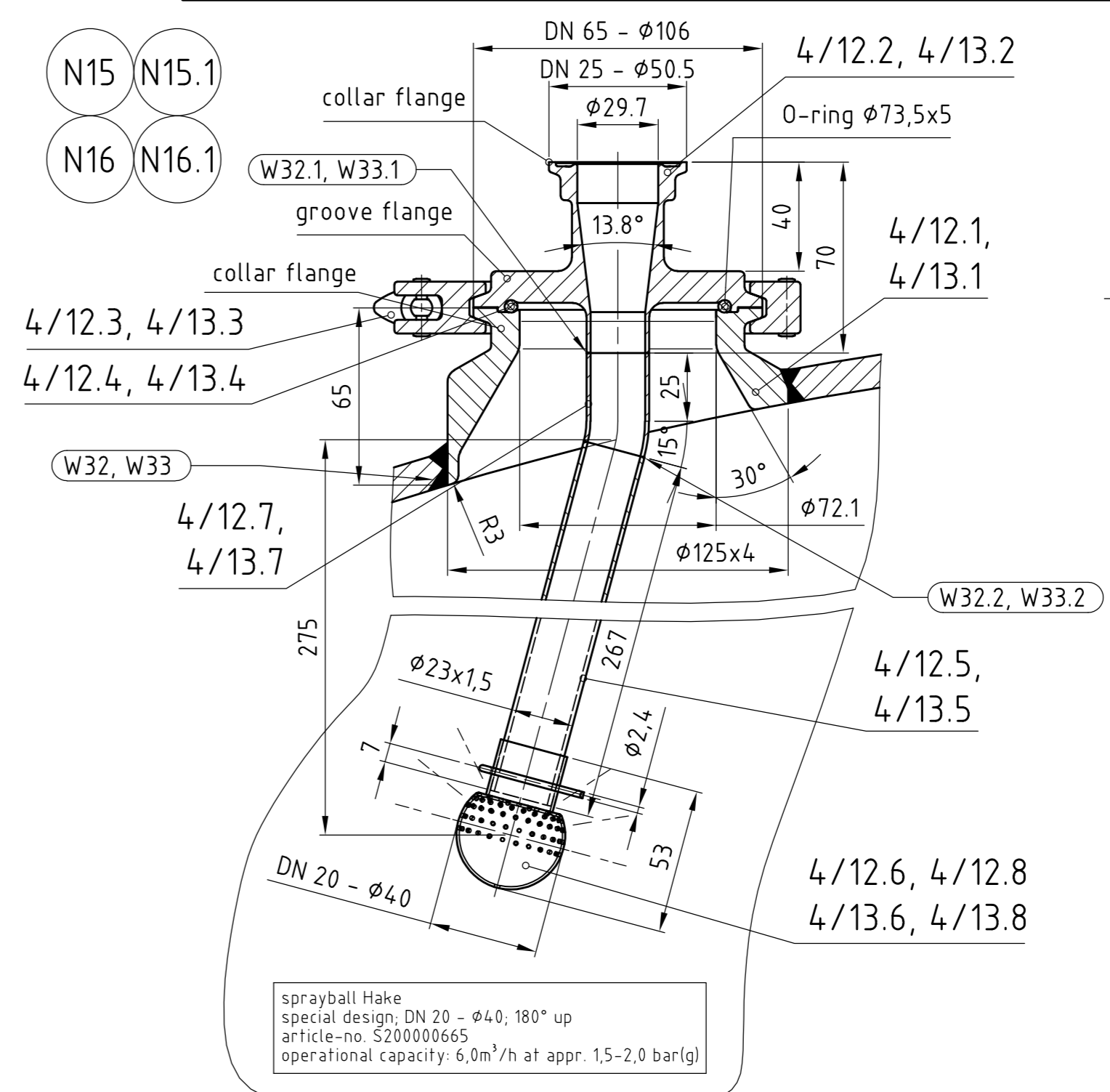
spare port M 1:2



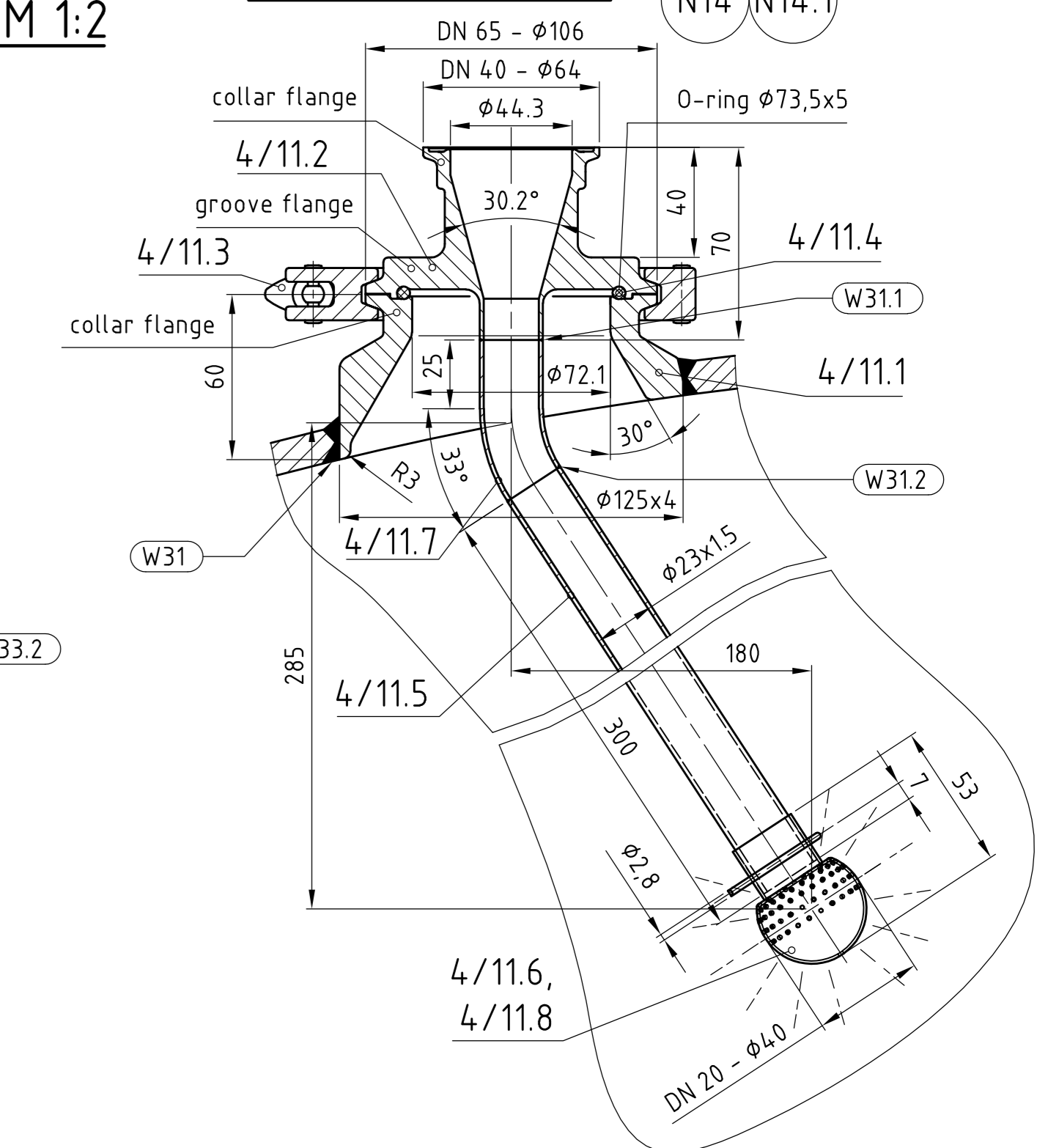
inlet bypass M 1:2



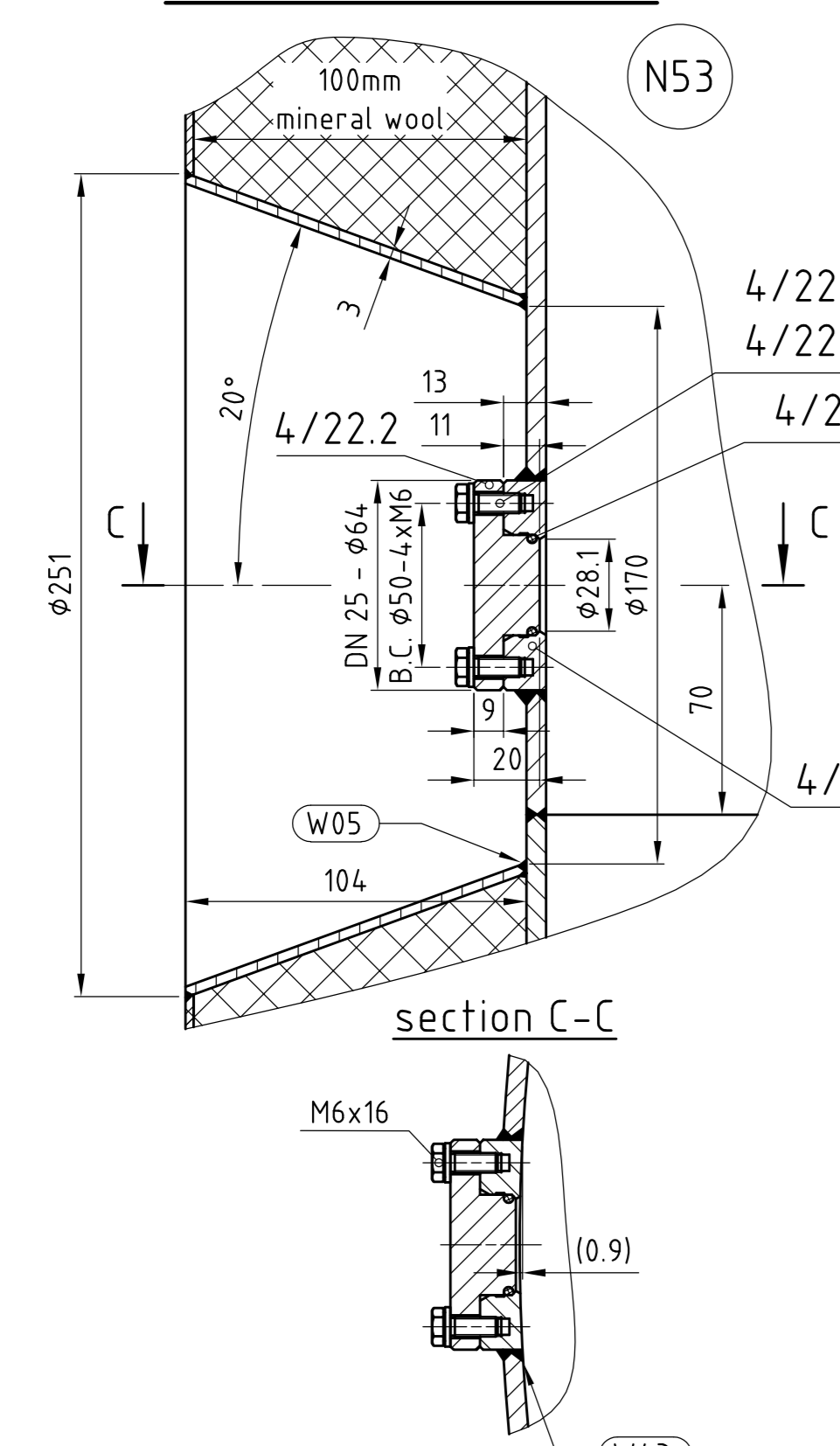
PW 1 (vessel connection), PW inlet 1 PW 2 (vessel connection), PW inlet 2 M 1:2



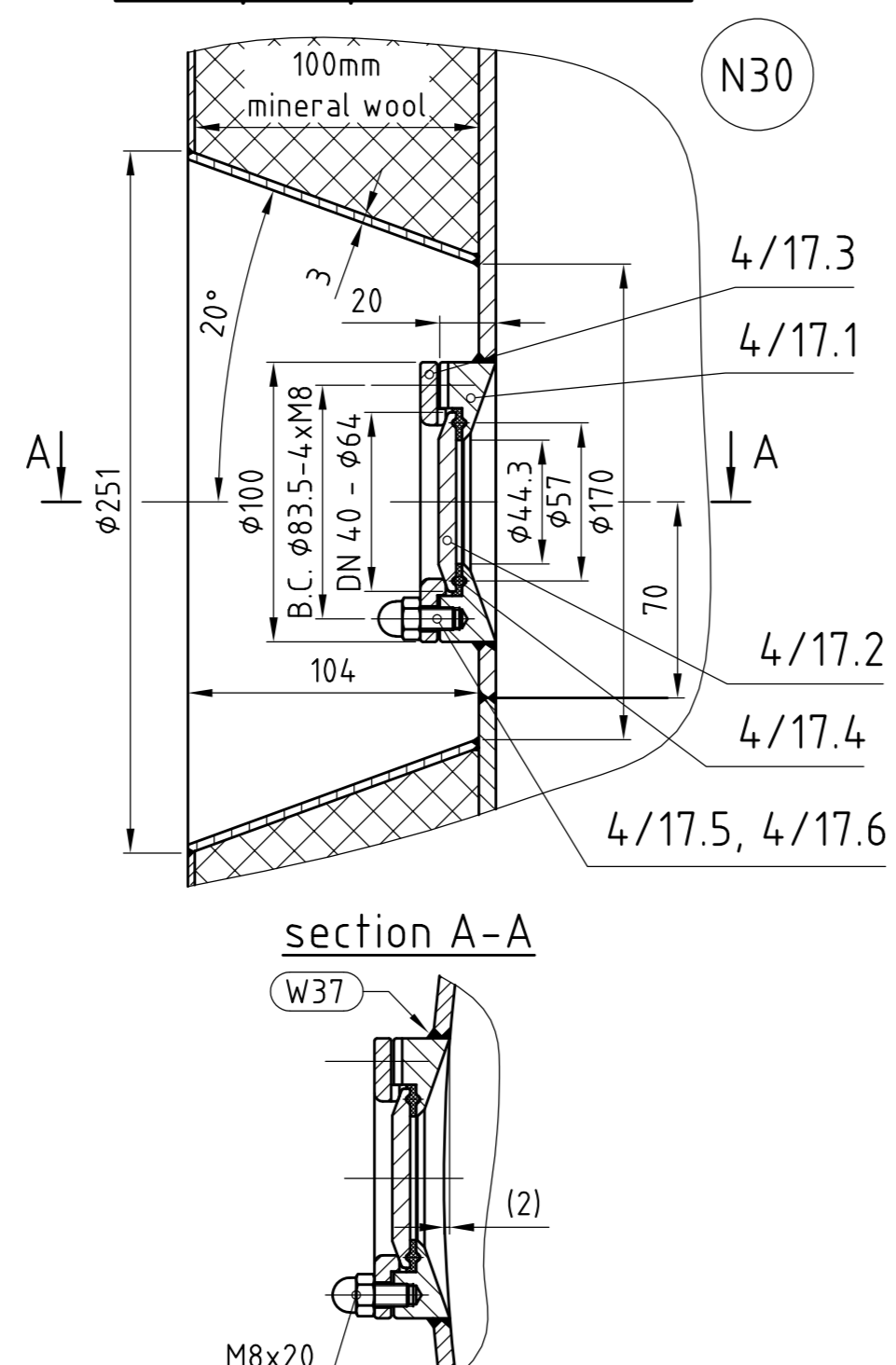
CIP 1 (vessel connection), CIP inlet 1 M 1:2



level switch M 1:2

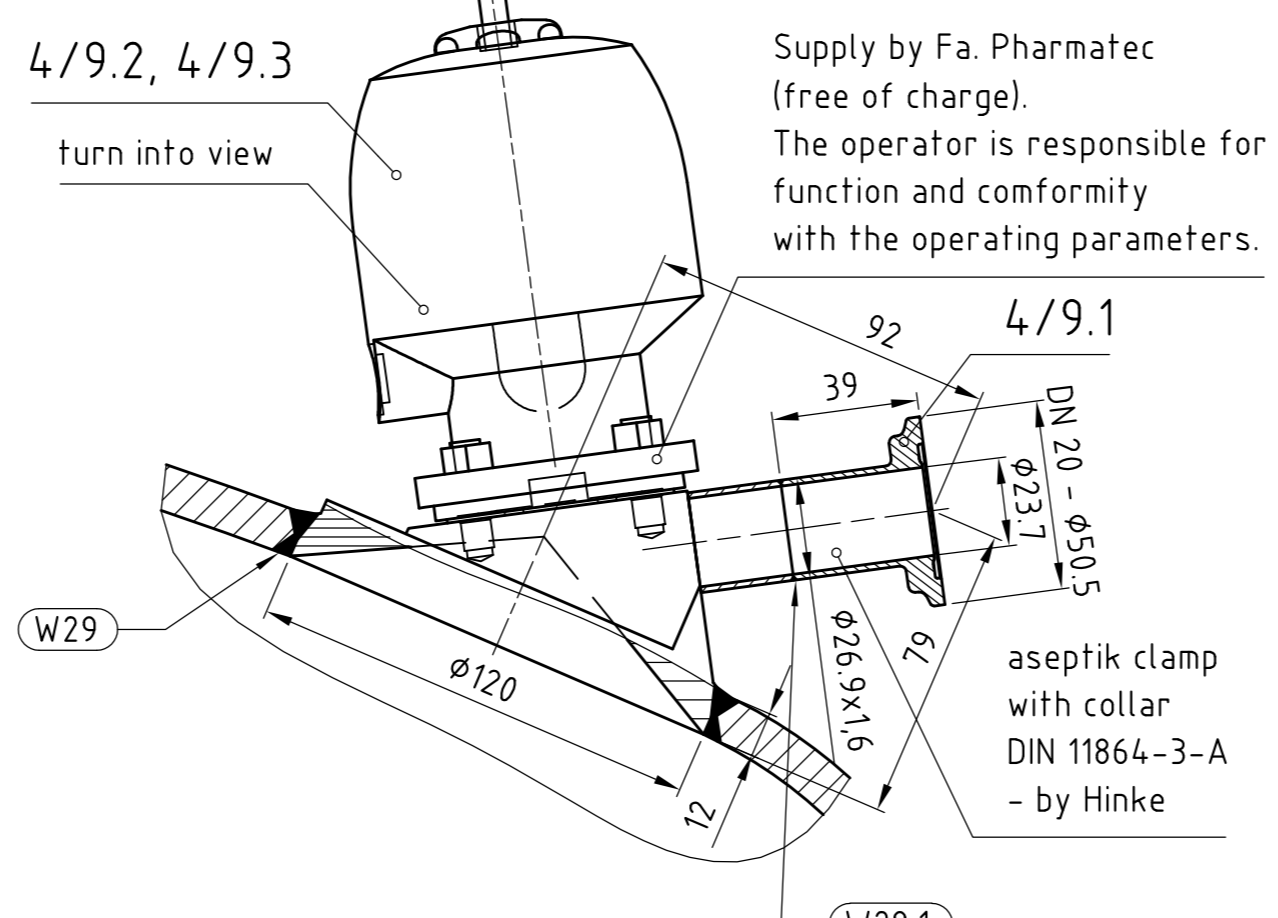


sample port M 1:2,5

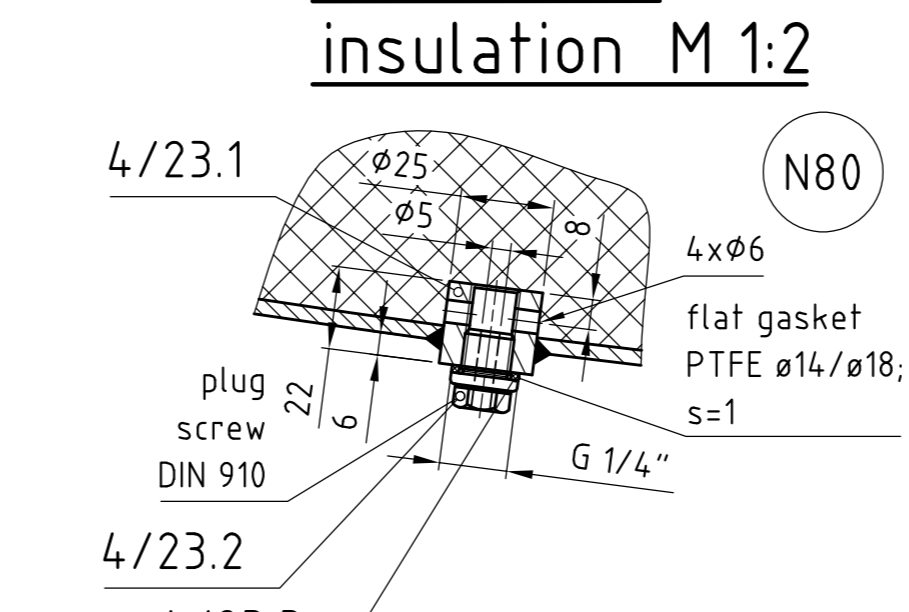


ventilation M 1:2

vessel valve DN 20 Fabr. Gemü; type: B650 supply by Fa. Pharmatec (free of charge)

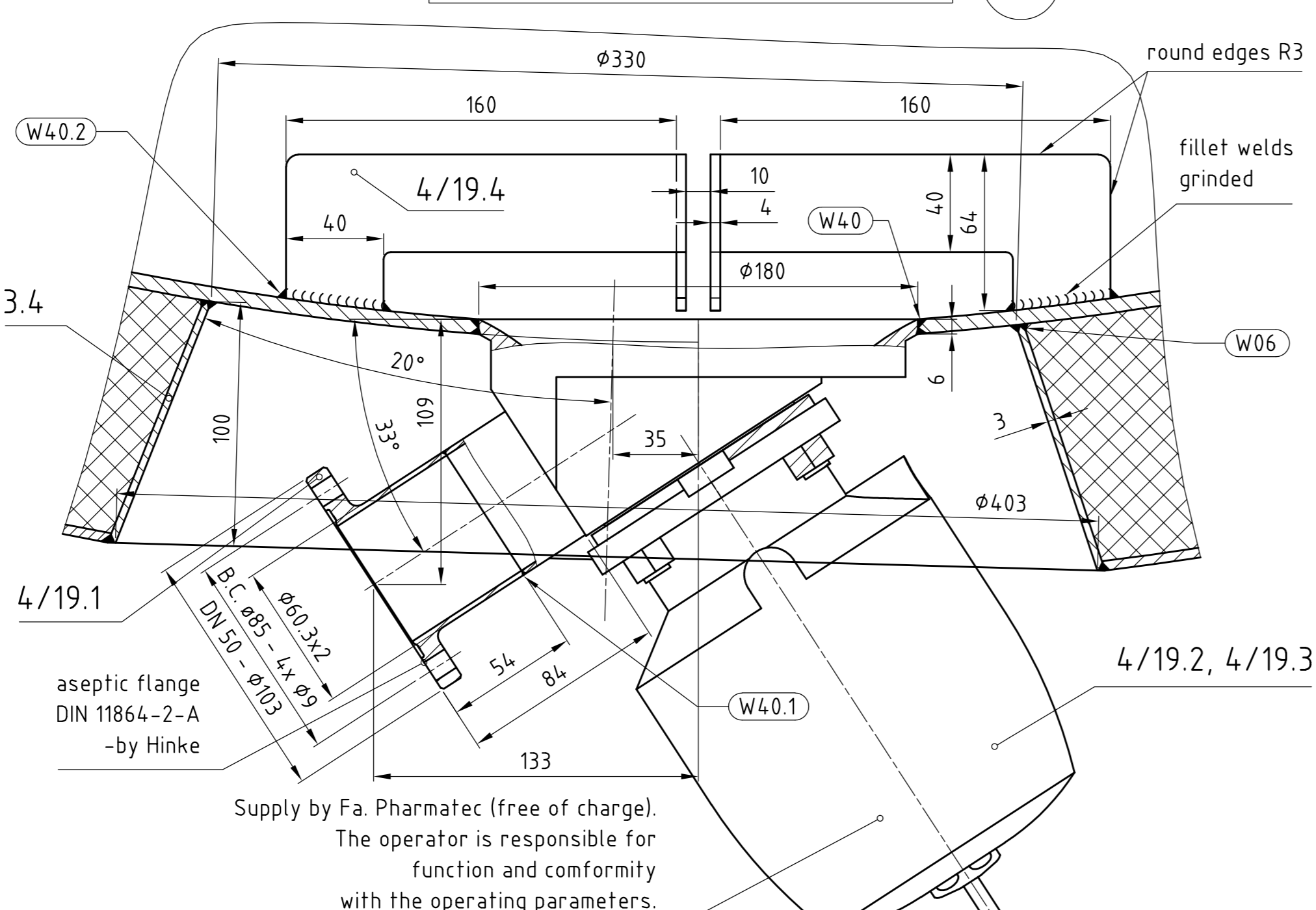


testsocket insulation M 1:2

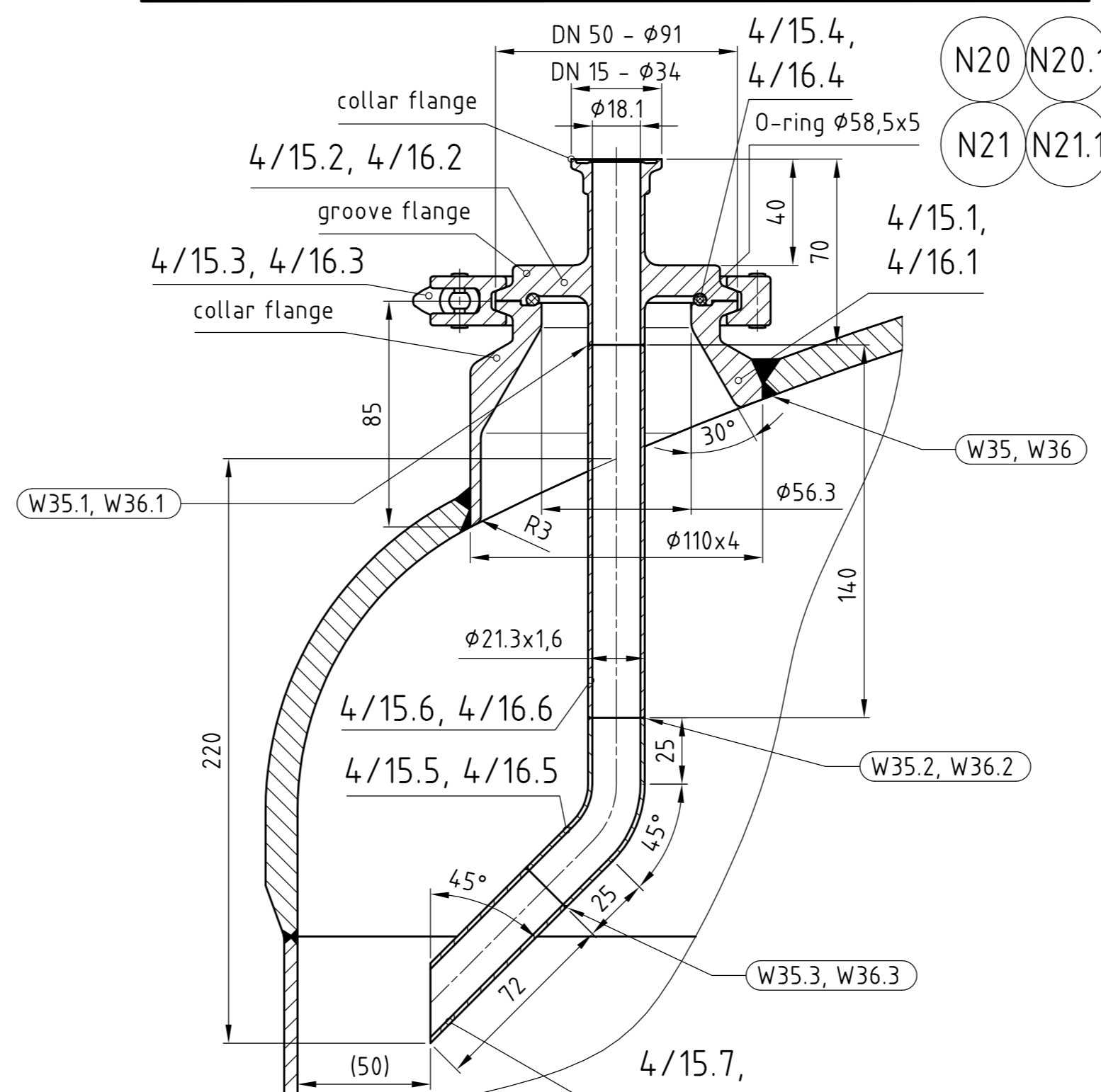


bottom outlet M 1:2

bottom outlet valve DN 50 Fabr. Gemü; type: B650 order code 650 50B1B4Z1714T1 1502 supply by Fa. Pharmatec (free of charge)

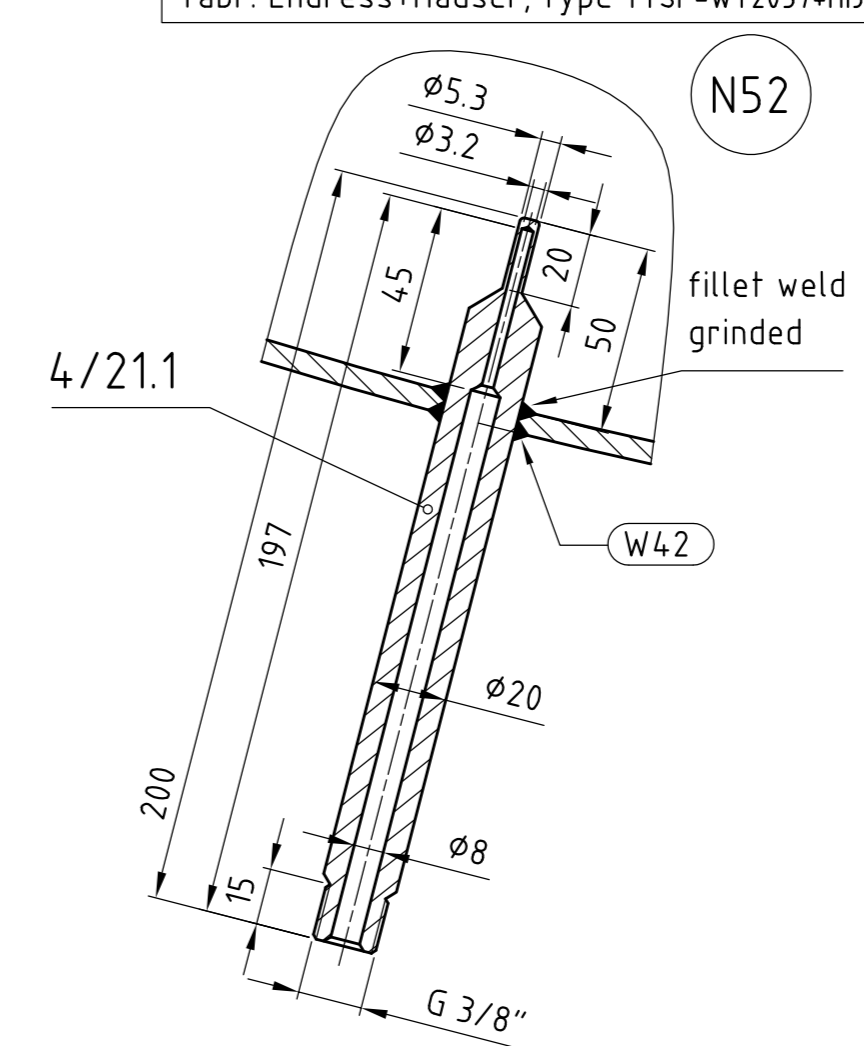


NaOH (vessel connection), NaOH inlet HNO3 (vessel connection), HNO3 inlet M 1:2



temperature measurement M 1:2

fabr. Endress+Hauser, type TTSP-WT2037-HUA21



spare port M 1:2,5

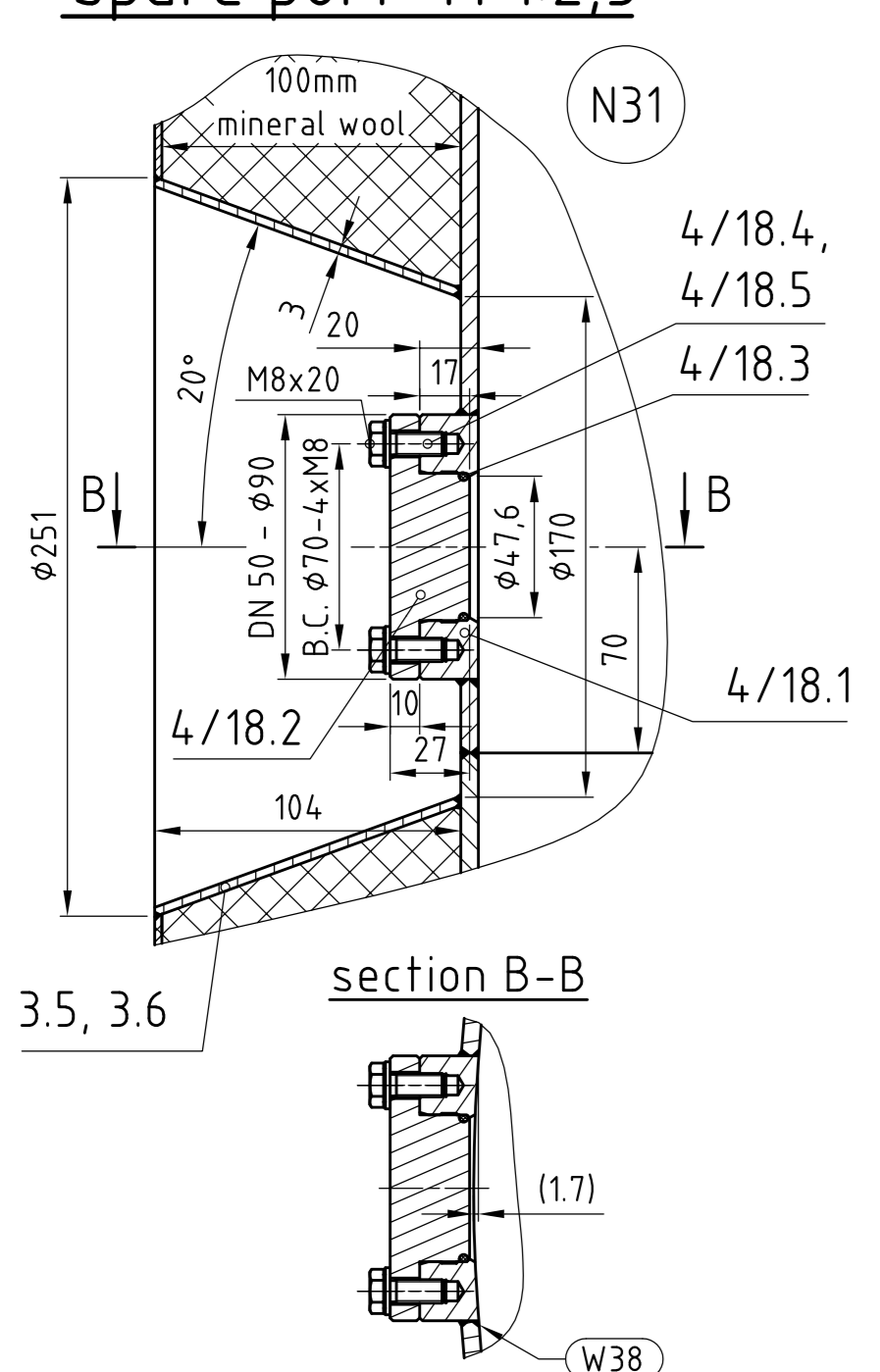


Table with 4 columns: pos, pcs, designation, DN, PN, norm, tube, notes. Lists various components and their specifications.

Table with 2 columns: rev, date, name, description. Lists revision history.

Copyright of this design remains to us. It may not be multiplied or be left third persons, in particular competitors, without our express permission.

vessel drawing look drawing no. 6864-02/003

Company information for HINKE TANKBAU GMBH, including address, phone, fax, and website.