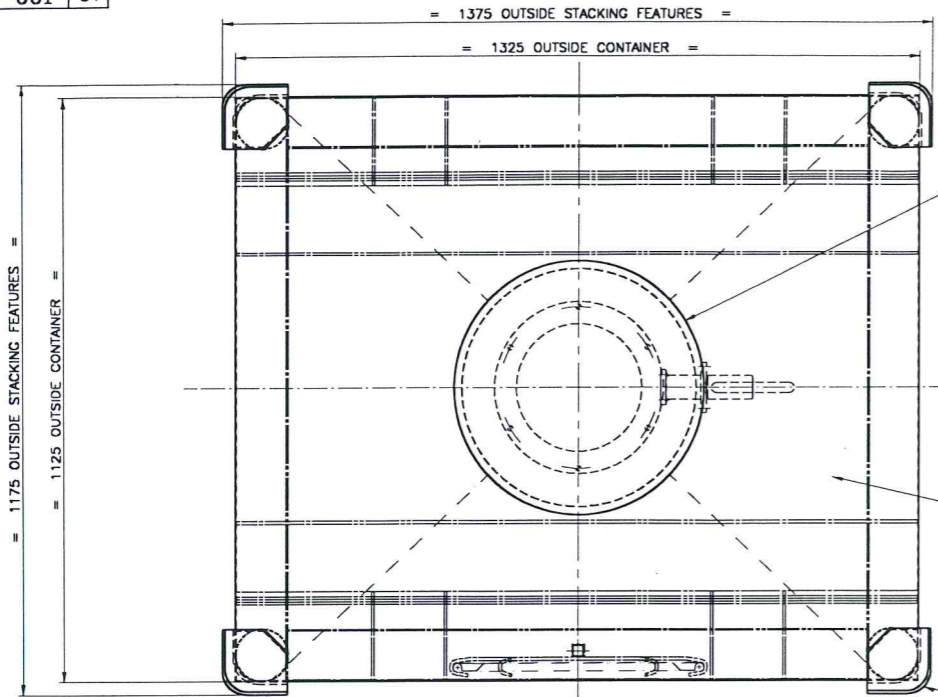
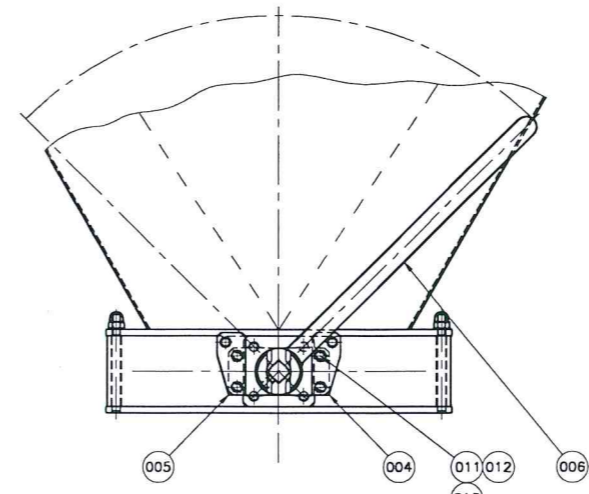


DO NOT SCALE - IF IN DOUBT ASK. - THIRD ANGLE PROJECTION. - UNLESS OTHERWISE STATED:- ALL DIMENSIONS IN MILLIMETERS; REMOVE ALL SHARP CORNERS, EDGES & BURRS.

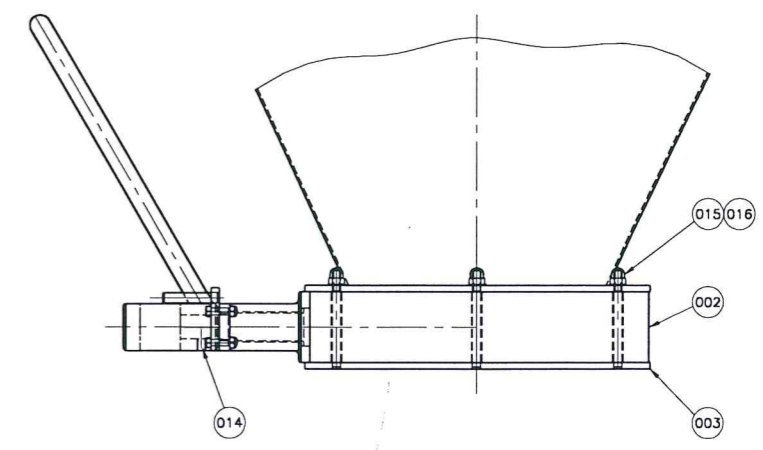


- 007 #460 MANWAY LID 1.4404 + 2B C/W.
- 008 WHITE FOOD QUALITY RUBBER SEAL
- 009 & 304 ST/STL LOCKABLE CLAMP BAND ASSEMBLY.



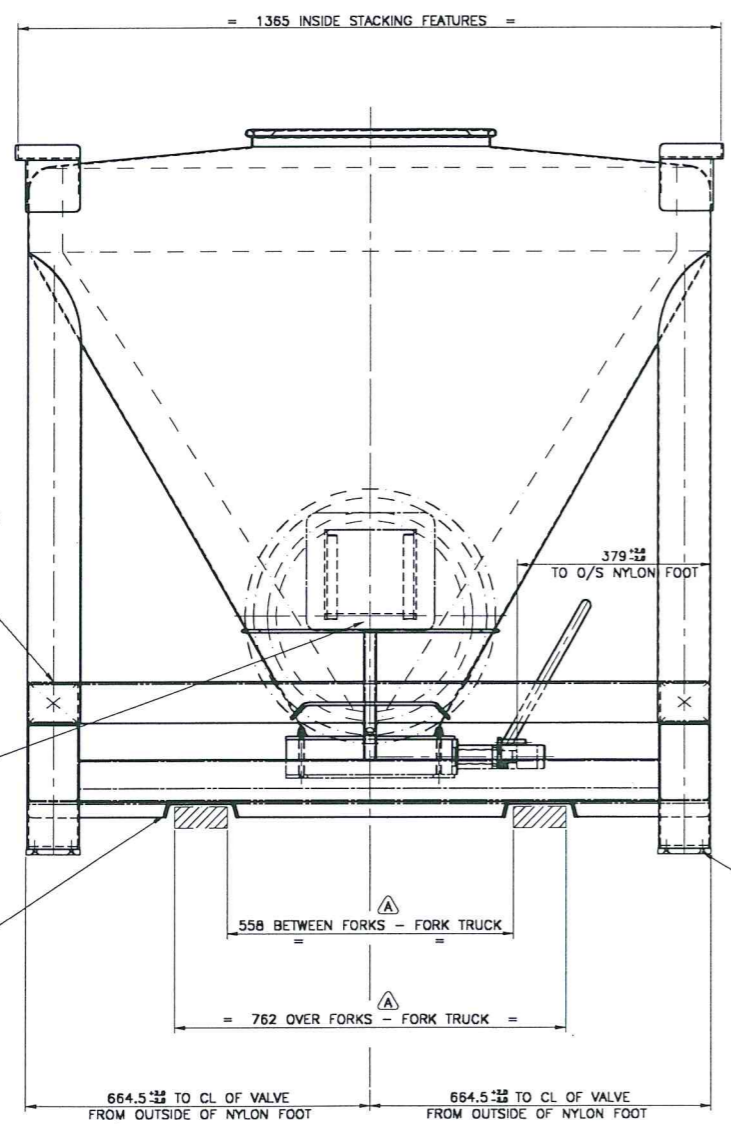
VIEW ON ARROW 'B'
VALVE HANDLE
SCALE 1 : 2.5

NOTE:
ROTATIONAL TOLERANCE OF VALVE BLOCK SLOT
= ± 3 DEGREES TO VERTICAL



VIEW ON ARROW 'A'
VALVE ASSEMBLY MOUNTING
CONTAINER BASE NOT SHOWN FOR CLARITY
SCALE 1 : 2.5

4-OFF CORNER BRACKETS FOR BLENDER USE & STACKING.
NOTE: STACKING IS ONLY PERMITTED WHEN CONTAINERS ARE EMPTY



GEI GALLAY SERIAL PLATE
CHEMICALLY ETCHED CENTRALLY ON TOP OF
RHS CROSS MEMBER (REAR)
(TYPICAL 1 PLACE ONLY)
CONTAINS:-
GALLAY REF/SERIAL No.
GROSS CAPACITY
YEAR OF MANUFACTURE
CLIENT PURCHASE ORDER No. (IF REQUIRED)

IBC LID CARRYING FRAME - FOR USE DURING WASH CYCLE

FORK CHANNELS FOR USE WITH FORK TRUCK WHEN LIFTING IBC ON & OFF WASH STATION CONVEYORS

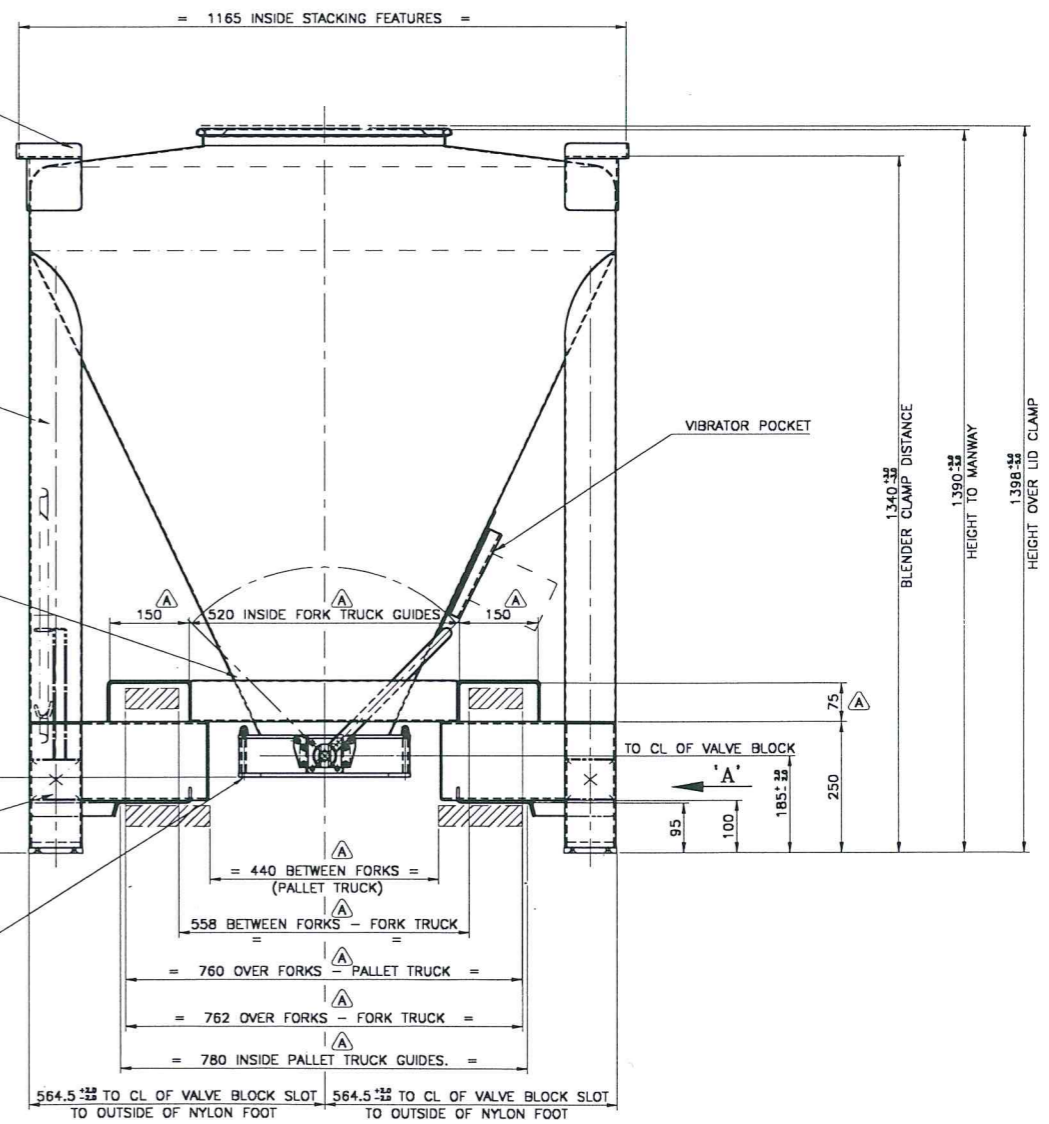
CONTAINER SHELL: 2 THK (14 SWG) SHEET
MAT'L: BS EN 10088-2-1.4404 + 2B,
2B FINISH INTERNALLY & EXTERNALLY
INTERNAL WELDS: GROUND FLUSH & STRIP POLISHED TO 300/320 GRIT FINISH
EXTERNAL WELDS: PASSIVATED & CHEMICALLY CLEANED
CORNER BENDS: R45 INSIDE RAD. FOR ALL BENDS ON CONTAINER SHELL

#102 (4") X 2 WALL 'TUBULAR' LEGS
MATERIAL: 1.4301 ST/STL, POLISHED TO 180/240 GRIT FINISH

CONTAINER IDENT NUMBERING
CHEMICALLY ETCHED CENTRALLY ON TOP OF RHS CROSS MEMBER.
(TYPICAL ONE PLACE ONLY)
CONTAINER NO'S : CUSTOMER TO ADVISE

BASE MAINLY CONSTRUCTED FROM 304 ST/STL HOLLOW SECTION POLISHED TO 180/240 GRIT FINISH.

#250 (10") NOM'L BORE BUTTERFLY 316 ST/STL BODY, WHITE SILICONE RUBBER LINING & 316 ST/STL POLISHED DISC SUITABLE FOR AUTO/MANUAL OPERATION.



VIBRATOR POCKET
BLENDER CLAMP DISTANCE 1340
HEIGHT TO MANWAY 1390
HEIGHT OVER LID CLAMP 1388

DRAWING IS FOR APPROVAL ONLY, SOME DIMENSIONS MAY CHANGE

ISS	DESCRIPTION	SIG	DATE
1	ISSUE		13/07/99
2	FORK & PALLET GUIDES POSITION REVISED, LID CARRYING FRAME ADDED		13/07/99
3	REV E17 ADDED		17/07/99

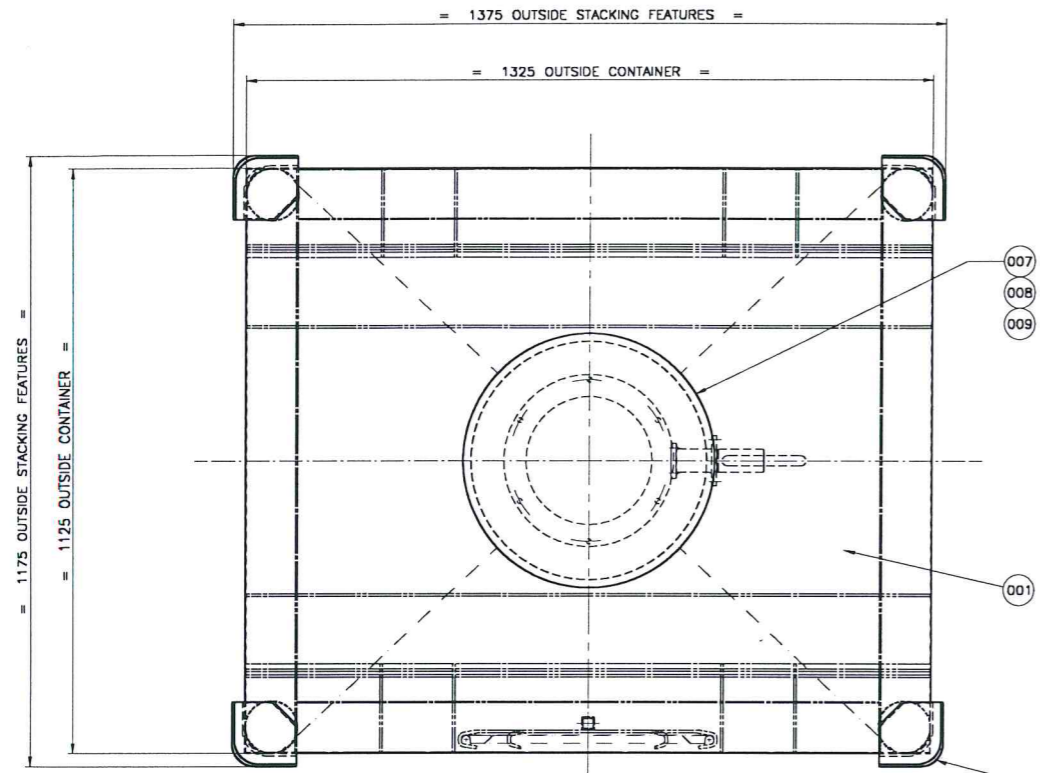
GENERAL TOLERANCES UNLESS OTHERWISE STATED	
MACHINING	0 TO 500 = ±1.0
	500 TO 1M = ±2.0
	1M TO 2M = ±3.0
ANG DIMS	±0.50° ABOVE 2M = ±4.0

SIZE	DRAWN	DATE	SCALE	ORG. No.	SHT OF
A0	AJD	13/07/99	1:5	G1430-A03-001	01 01

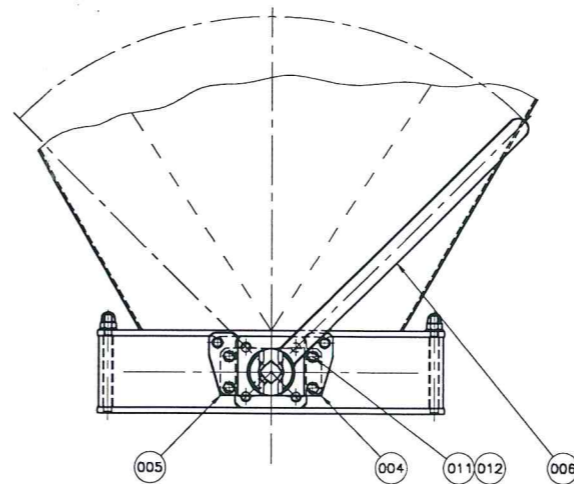
GEI GALLAY

Whorfdale House, 257 Whorfdale Road
Tysley, Birmingham B11 2DP, United Kingdom
Tel: 0121 785 5800 Fax: 0121 785 5801/2

G.A OF 800 LITRE POWDER/GRANULE IBC

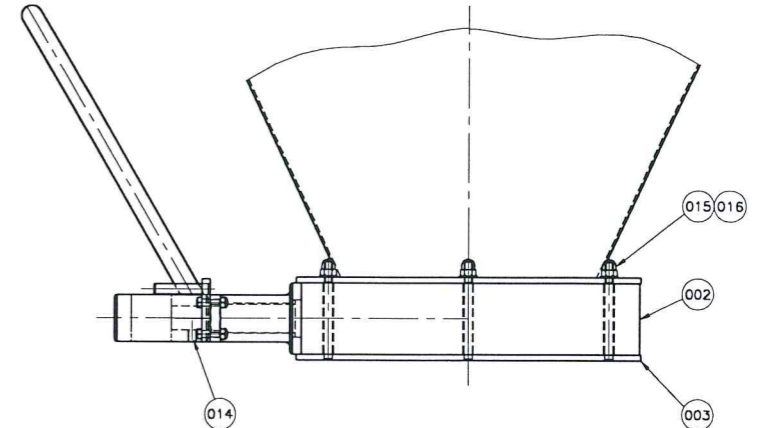


007 #460 MANWAY LID 1,4404 + 2B C/W, WHITE FOOD QUALITY RUBBER SEAL & 304 ST/STL LOCKABLE CLAMP BAND ASSEMBLY.



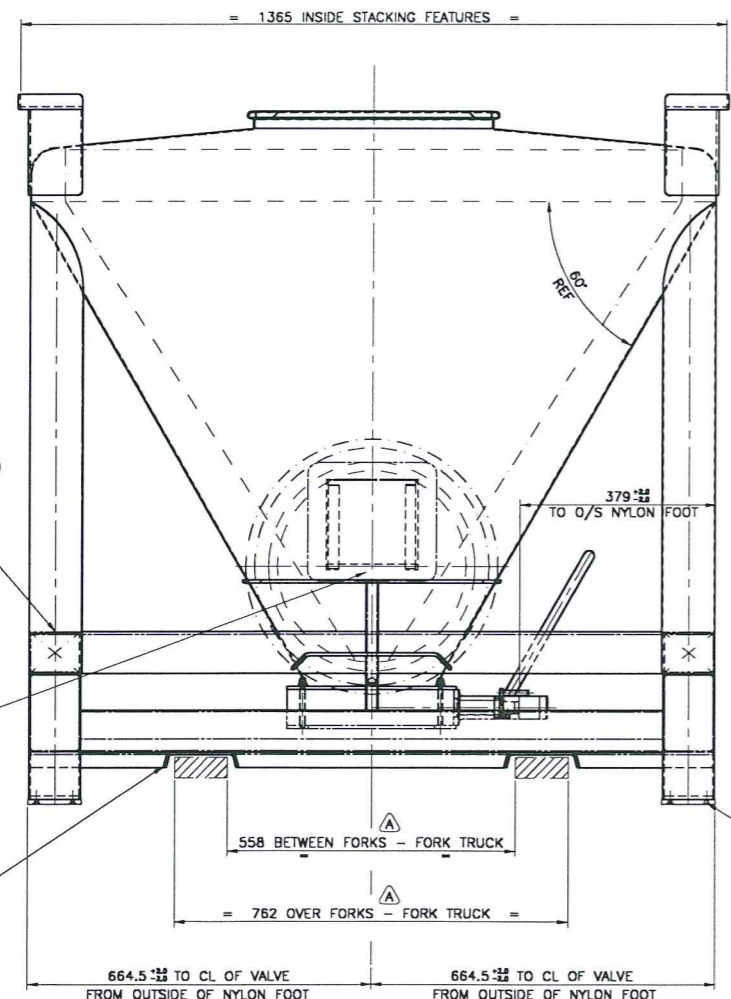
VIEW ON ARROW 'B' VALVE HANDLE SCALE 1 : 2.5

NOTE: ROTATIONAL TOLERANCE OF VALVE BLOCK SLOT = ±3 DEGREES TO VERTICAL.



VIEW ON ARROW 'A' VALVE ASSEMBLY MOUNTING CONTAINER BASE NOT SHOWN FOR CLARITY SCALE 1 : 2.5

4-OFF CORNER BRACKETS FOR BLENDER USE & STACKING. NOTE: STACKING IS ONLY PERMITTED WHEN CONTAINERS ARE EMPTY



GEI GALLAY SERIAL PLATE CHEMICALLY ETCHED CENTRALLY ON TOP OF RHS CROSS MEMBER (REAR) (TYPICAL ONE PLACE ONLY) CONTAINS:- GALLAY REF/SERIAL No. GROSS CAPACITY YEAR OF MANUFACTURE CLIENT PURCHASE ORDER No. (IF REQUIRED)

IBC LID CARRYING FRAME - FOR USE DURING WASH CYCLE

FORK CHANNELS FOR USE WITH FORK TRUCK WHEN LIFTING IBC ON & OFF WASH STATION CONVEYORS

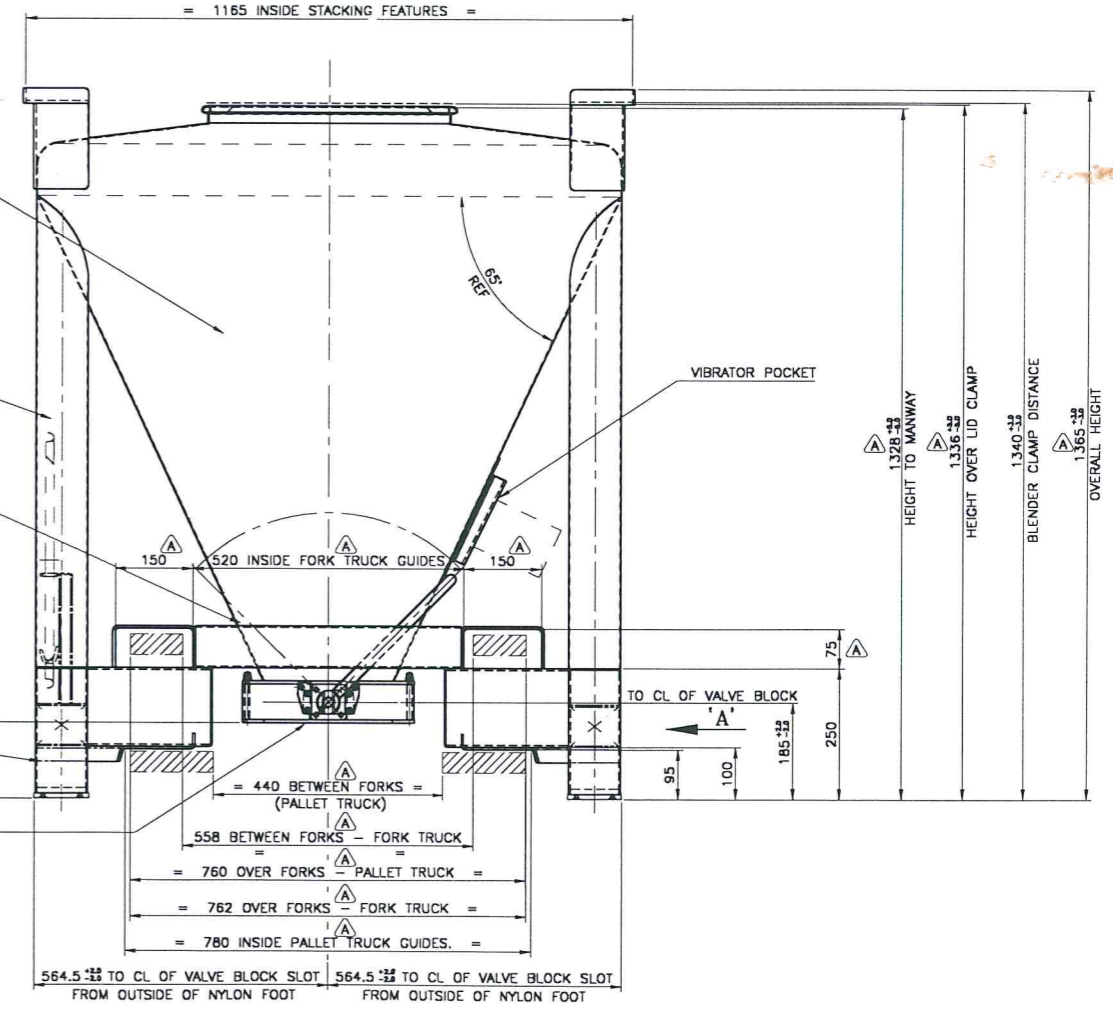
CONTAINER SHELL: 2 THK (14 SWG) SHEET MAT'L: BS EN 10088-2-1,4404 + 2B, 2B FINISH INTERNALLY & EXTERNALLY
INTERNAL WELDS: GROUND FLUSH & STRIP POLISHED TO 300/320 GRIT FINISH
EXTERNAL WELDS: PASSWATED & CHEMICALLY CLEANED
CORNER BENDS: R45 INSIDE RAD. FOR ALL BENDS ON CONTAINER SHELL

#102 (4") X 2 WALL 'TUBULAR' LEGS MATERIAL: 1.4301 ST/STL, POLISHED TO 180/240 GRIT FINISH

CONTAINER IDENT NUMBERING CHEMICALLY ETCHED CENTRALLY ON TOP OF RHS CROSS MEMBER (TYPICAL ONE PLACE ONLY) CONTAINER NO'S : CUSTOMER TO ADVISE

BASE MAINLY CONSTRUCTED FROM 304 ST/STL HOLLOW SECTION POLISHED TO 180/240 GRIT FINISH.

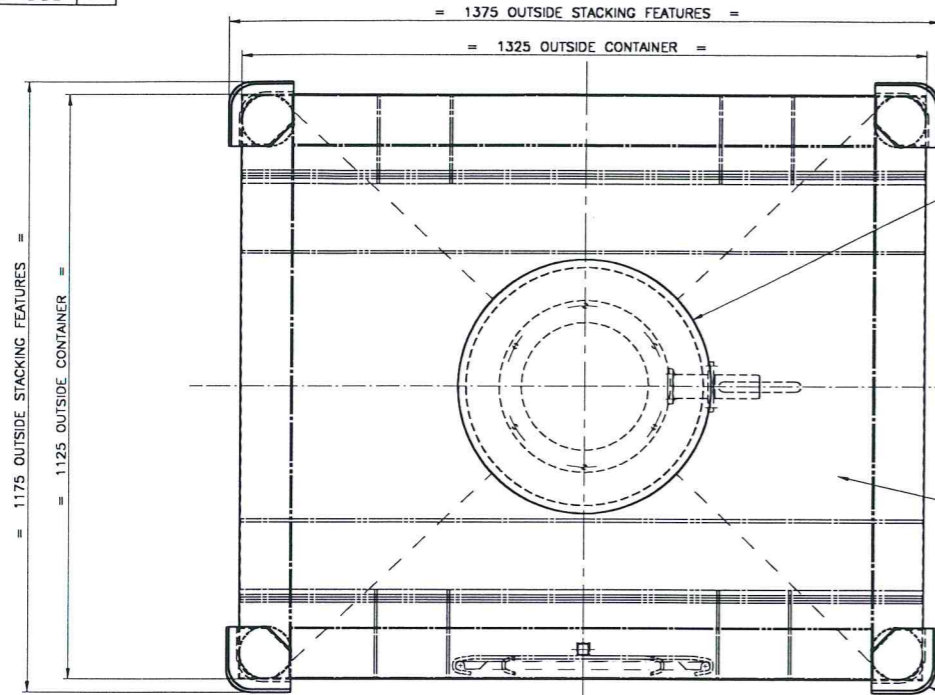
#250 (10") NOM'L BORE BUTTERFLY 316 ST/STL BODY, WHITE SILICONE RUBBER LINING & 316 ST/STL POLISHED DISC SUITABLE FOR AUTO/MANUAL OPERATION.



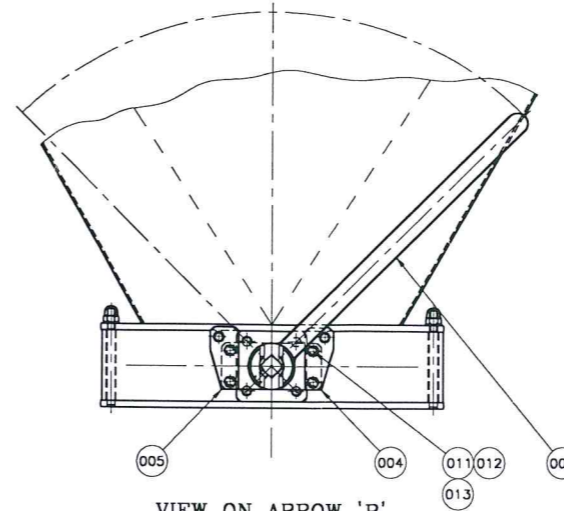
DRAWING IS FOR APPROVAL ONLY, SOME DIMENSIONS MAY CHANGE

ISS	DESCRIPTION	SIC	DATE	GENERAL TOLERANCES UNLESS OTHERWISE STATED	THIS DRAWING INCLUDING THE PRINCIPLES OF DESIGN IS THE PROPERTY OF GEI GALLAY. IT IS NOT TO BE REPRODUCED, COPIED OR LOANED IN PART OR WHOLE, IF IT IS NOT TO BE USED IN ANY MANNER THAT MAY CONSTITUTE A RETRADE, DIRECTLY OR INDIRECTLY, BY THE ABOVE MENTIONED ACCEPTANCE OF THIS DRAWING WILL BE CONSIDERED AS AN AGREEMENT TO THE ABOVE.	GEI GALLAY Wharfedale House, 237 Wharfedale Road Threlkley, Birmingham B11 2DP, United Kingdom Tel: 0121 765 5800 Fax: 0121 765 5801/2	TITLE G.A OF 600 LITRE POWDER/GRANULE IBC	SIZE DRAWN DATE SCALE DRG No. SHIT OF AO AJD 13/07/99 1:5 G1430-A02-001 01 01
1st	ISSUE	AUG	13/07/99	MACHINING 0 TO 500 = ±1.0 0.0 TO ±0.25 500 TO 1M = ±2.0 0.00 TO ±0.10 1M TO 2M = ±3.0 ANG' DIM'S = ±0.50' ABOVE 2M = ±4.0				
A	FORM & PALETTE DIMENSIONS REVISIONS IBC CARRYING FRAME ADDED		13/12/99					
B	REV 017 ADDED		27/05/04					

DO NOT SCALE - IF IN DOUBT ASK. - THIRD ANGLE PROJECTION. - UNLESS OTHERWISE STATED:- ALL DIMENSIONS IN MILLIMETERS; REMOVE ALL SHARP CORNERS, EDGES & BURRS.

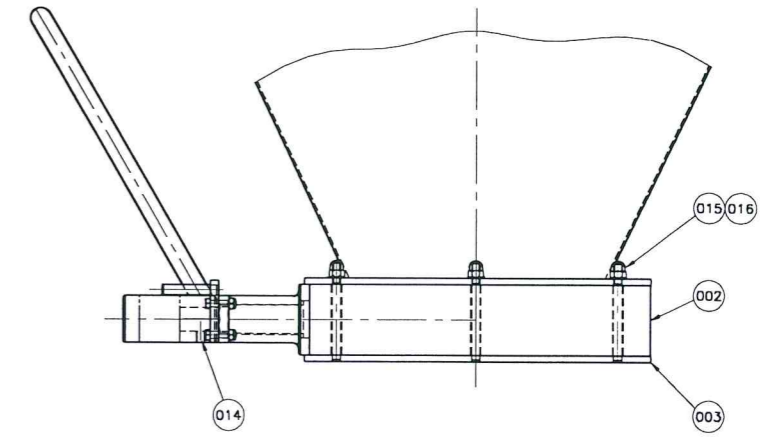


- 007 #460 MANWAY LID 1.4404 + 2B C/W, WHITE FOOD QUALITY RUBBER SEAL & 304 ST/STL LOCKABLE CLAMP BAND ASSEMBLY.
- 008
- 009

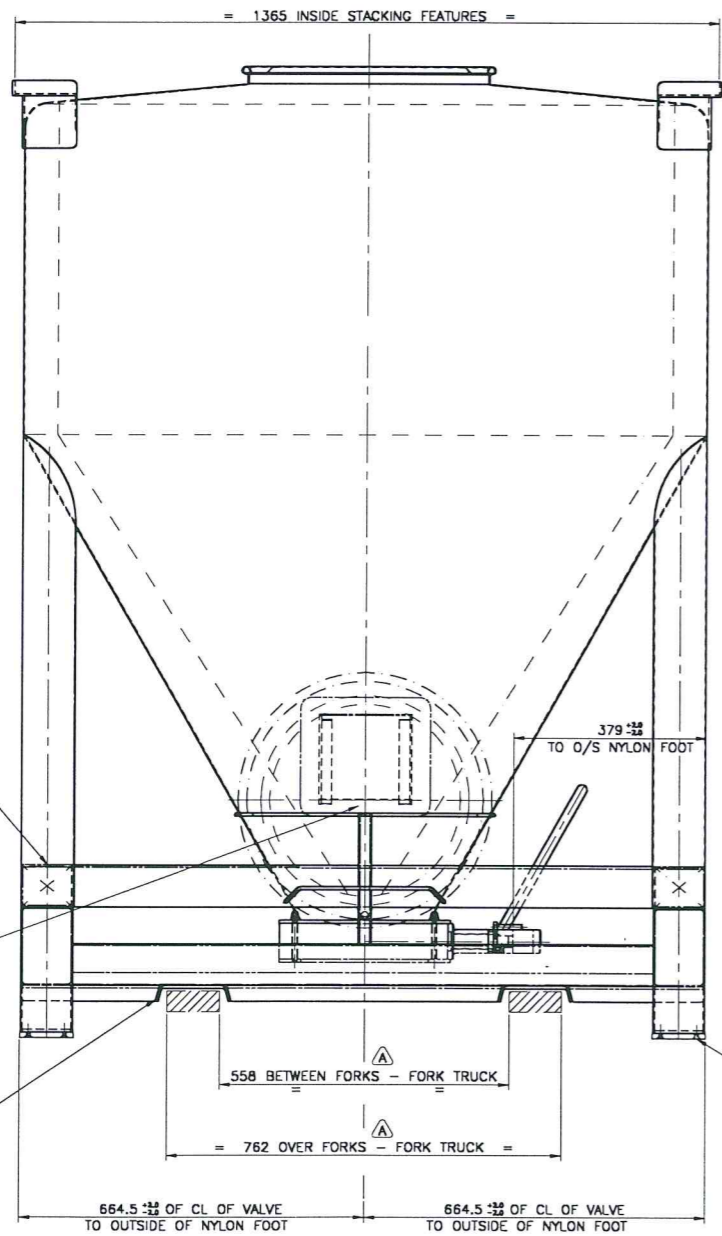


VIEW ON ARROW 'B'
VALVE HANDLE
SCALE 1 : 2.5

NOTE:
ROTATIONAL TOLERANCE OF VALVE BLOCK SLOT
= ± 3 DEGREES TO VERTICAL



VIEW ON ARROW 'A'
VALVE ASSEMBLY MOUNTING
CONTAINER BASE NOT SHOWN FOR CLARITY
SCALE 1 : 2.5



GEI GALLAY SERIAL PLATE
CHEMICALLY ETCHED CENTRALLY ON TOP OF
RHS CROSS MEMBER (REAR)
(TYPICAL 1 PLACE ONLY)
CONTAINS:-
GALLAY REF/SERIAL No.
GROSS CAPACITY
YEAR OF MANUFACTURE
CLIENT PURCHASE ORDER No. (IF REQUIRED)

IBC LID CARRYING FRAME - FOR USE
DURING WASH CYCLE

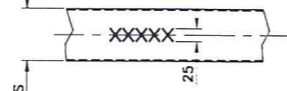
FORK CHANNELS FOR USE WITH FORK
TRUCK WHEN LIFTING IBC ON & OFF
WASH STATION CONVEYORS

4-OFF CORNER BRACKETS FOR
BLENDER USE & STACKING.
NOTE: STACKING IS ONLY PERMITTED
WHEN CONTAINERS ARE EMPTY

CONTAINER SHELL: 2 THK (14 SWG) SHEET
MAT'L: BS EN 10088-2-1.4404 + 2B,
2B FINISH INTERNALLY & EXTERNALLY
INTERNAL WELDS: GROUND FLUSH & STRIP POLISHED
TO 300/320 GRIT FINISH
EXTERNAL WELDS: PASSVATED & CHEMICALLY CLEANED
CORNER BENDS: R45 INSIDE RAD. FOR ALL BENDS ON
CONTAINER SHELL

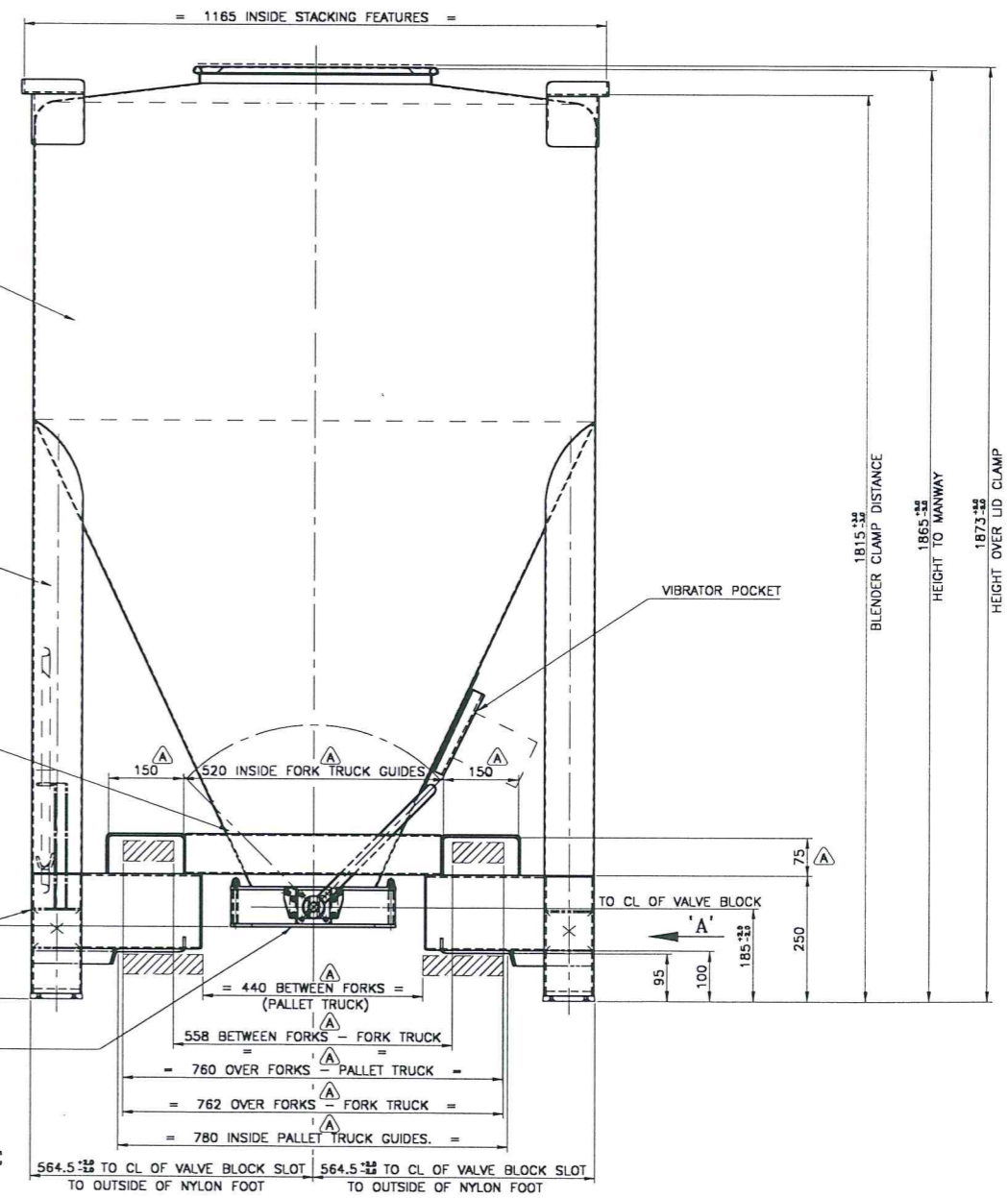
#102 (4") X 2 WALL 'TUBULAR' LEGS
MATERIAL: 1.4301 ST/STL, POLISHED TO
180/240 GRIT FINISH

CONTAINER IDENT NUMBERING
CHEMICALLY ETCHED CENTRALLY ON TOP OF RHS
CROSS MEMBER.
(TYPICAL ONE PLACE ONLY)
CONTAINER NO'S : CUSTOMER TO ADVISE



BASE MAINLY CONSTRUCTED FROM
304 ST/STL HOLLOW SECTION POLISHED
TO 180/240 GRIT FINISH.

#250 (10") NOM'L BORE BUTTERFLY
316 ST/STL BODY, WHITE SILICONE
RUBBER LINING & 316 ST/STL
POLISHED DISC SUITABLE FOR AUTO/
MANUAL OPERATION.



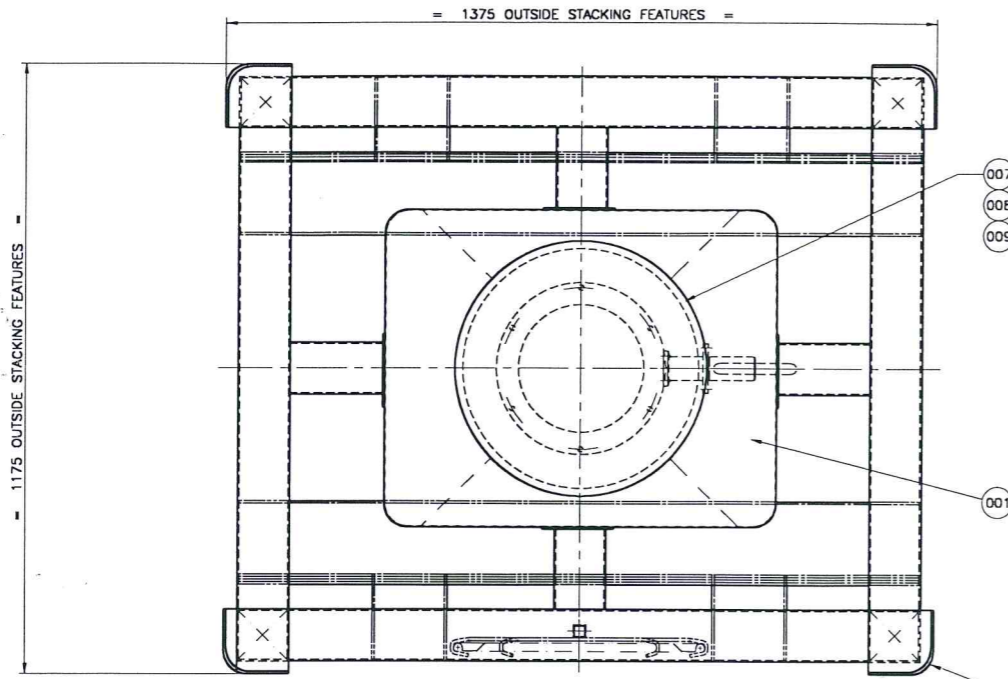
DRAWING IS FOR APPROVAL ONLY, SOME DIMENSIONS MAY CHANGE

ISS	DESCRIPTION	SIG	DATE
1	ISSUE	AND	13/07/99
2	FORM & PALLET GUIDES POSITION REVISED, LID CARRYING FRAME ADDED	ML	13/07/99
3	REV D17 ADDED	ML	21/10/99

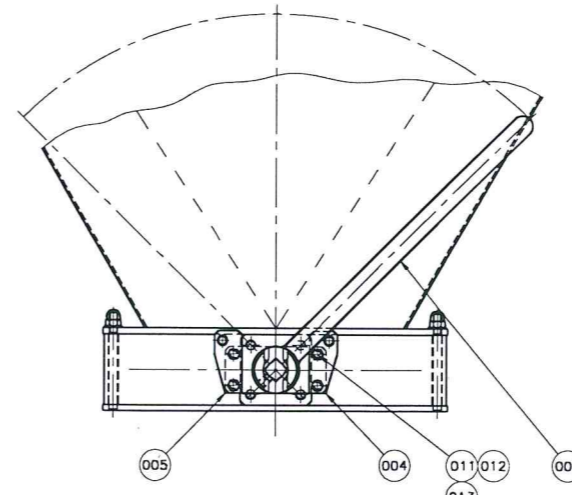
GENERAL TOLERANCES UNLESS OTHERWISE STATED	
MACHINING	FABRICATION
0 = ±0.50	0 TO 500 = ±1.0
0.00 = ±0.25	500 TO 1M = ±2.0
0.00 = ±0.10	1M TO 2M = ±3.0
ANG DIM'S = ±0.50°	ABOVE 2M = ±4.0

<p>THIS DRAWING INCLUDING THE PRINCIPLES OF DESIGN IS THE PROPERTY OF GEI GALLAY. IT IS NOT TO BE REPRODUCED, COPIED OR LOANED IN ANY MANNER. IF IT IS NOT TO BE USED IN ANY MANNER THAT MAY CONSTITUTE A BREACH OF INTELLECTUAL PROPERTY RIGHTS, ACCEPTANCE OF THIS DRAWING SHALL BE CONSIDERED AS AN AGREEMENT TO THE ABOVE.</p>	<p>GEI GALLAY</p> <p>Wharfedale House, 257 Wharfedale Road Tysley, Birmingham B11 2DP, United Kingdom Tel: 0121 785 5800 Fax: 0121 785 5801/2</p>	<p>TITLE G.A OF 1500 LITRE POWDER/GRANULE IBC</p>
--	---	---

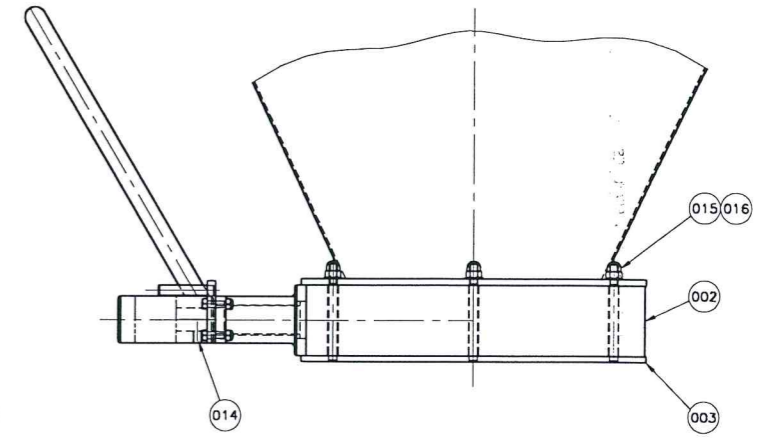
DO NOT SCALE - IF IN DOUBT ASK. - THIRD ANGLE PROJECTION. - UNLESS OTHERWISE STATED:- ALL DIMENSIONS IN MILLIMETERS; REMOVE ALL SHARP CORNERS, EDGES & BURRS.



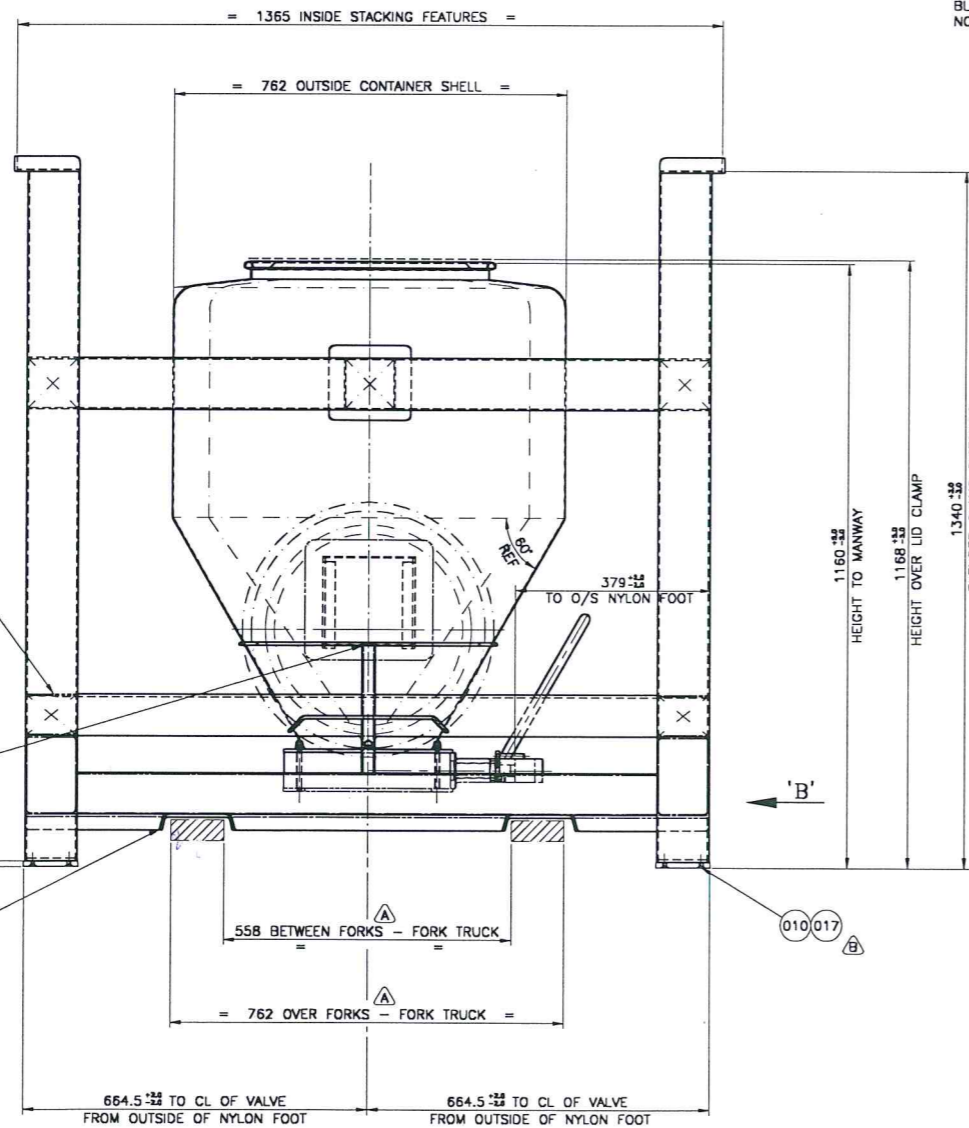
007 #460 MANWAY LID 1.4404 + 2B C/W,
008 WHITE FOOD QUALITY RUBBER SEAL
009 & 304 ST/STL LOCKABLE CLAMP
BAND ASSEMBLY.



NOTE:
ROTATIONAL TOLERANCE OF VALVE BLOCK SLOT
= ±3 DEGREES TO VERTICAL



4-OFF CORNER BRACKETS FOR
BLENDER USE & STACKING.
NOTE: STACKING IS ONLY PERMITTED WHEN CONTAINERS ARE EMPTY



GEI GALLAY SERIAL PLATE
CHEMICALLY ETCHED CENTRALLY ON TOP OF
RHS CROSS MEMBER (REAR)
(TYPICAL 1 PLACE ONLY)
CONTAINS:-
GALLAY REF/SERIAL No.
GROSS CAPACITY
YEAR OF MANUFACTURE
CLIENT PURCHASE ORDER No. (IF REQUIRED)

IBC LID CARRYING FRAME - FOR USE
DURING WASH CYCLE

FORK CHANNELS FOR USE WITH FORK
TRUCK WHEN LIFTING IBC ON & OFF
WASH STATION CONVEYORS

BODY FRAME CONSTRUCTED FROM
100 x 100 x 3 THK SHS
MAT'L : 304 ST/STL
180/240 GRIT FINISH

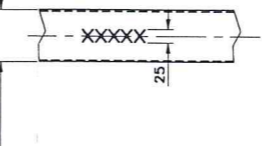
CONTAINER SHELL : 2 THK (14 SWG) BODY SHEET
2B INTERNAL & EXTERNAL FINISH

INTERNAL WELDS : GROUND FLUSH & STRIP POLISHED
TO 300/320 GRIT FINISH

EXTERNAL WELDS : PASSVATED & CHEMICALLY CLEANED

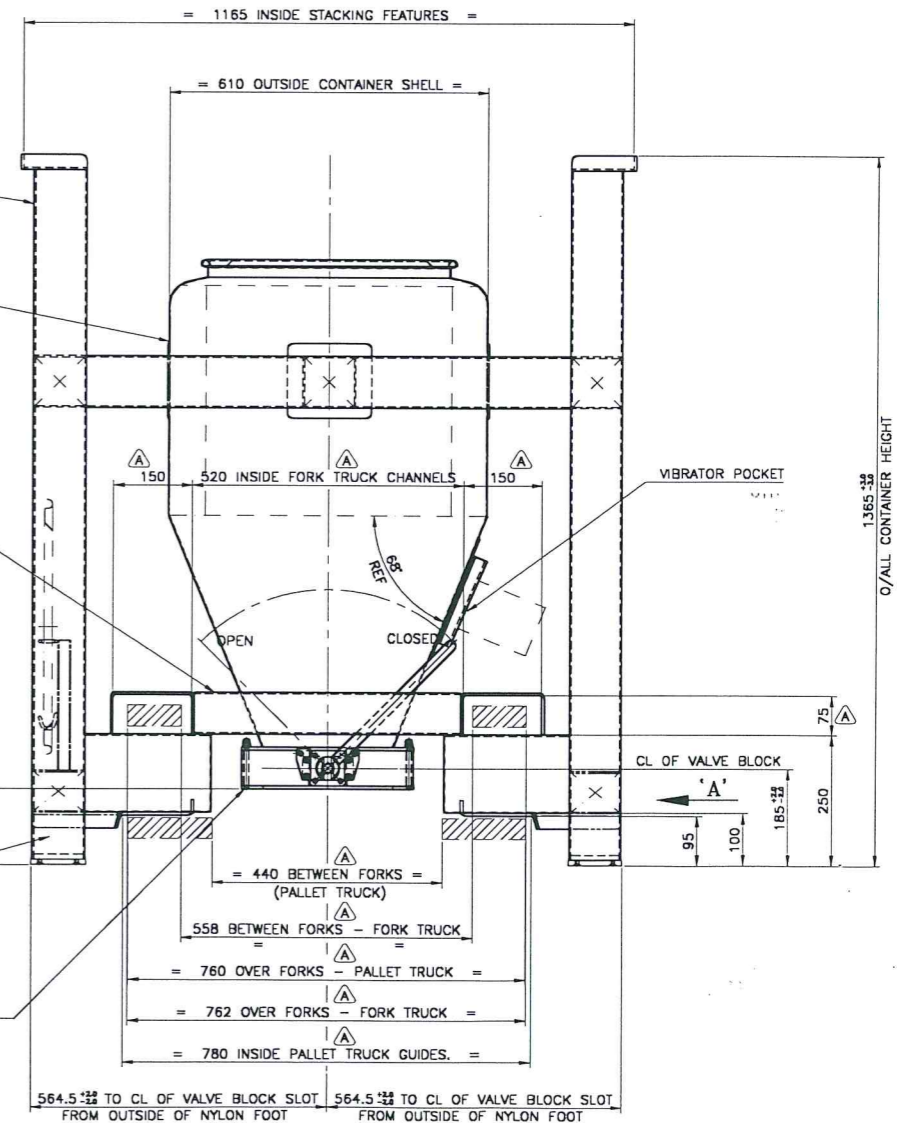
CORNER BENDS : R45 INSIDE RAD. FOR ALL CORNER
BENDS ON CONTAINER SHELL

CONTAINER IDENT NUMBERING
CHEMICALLY ETCHED CENTRALLY ON TOP OF RHS
CROSS MEMBER.
(TYPICAL ONE PLACE ONLY)
CONTAINER NO'S : CUSTOMER TO ADVISE



FRAME MAINLY CONSTRUCTED FROM
304 ST/STL HOLLOW SECTION POLISHED
TO 180/240 GRIT FINISH.

#250 (10") NOM'L BORE BUTTERFLY
316 ST/STL BODY, WHITE SILICONE
RUBBER LINING & 316 ST/STL
POLISHED DISC SUITABLE FOR AUTO/
MANUAL OPERATION.



ISS	DESCRIPTION	SIG	DATE
1	ISSUED		13/07/99
2	FORN & PALLET GUIDES POSITION REVISED, LID CARRYING FRAME ADDED		21/10/99
3	REV B17 ADDED		21/10/99

GENERAL TOLERANCES	UNLESS OTHERWISE STATED
MACHINING	FABRICATION
0 TO 50.00	0 TO 500
50.00 TO 100.00	500 TO 1M
100.00 TO 200.00	1M TO 2M
200.00 TO 500.00	ABOVE 2M
ANG DIM'S	
0 TO 30	
30 TO 60	
60 TO 90	
90 TO 120	
120 TO 150	
150 TO 180	
180 TO 210	
210 TO 240	
240 TO 270	
270 TO 300	
300 TO 330	
330 TO 360	
360 TO 390	
390 TO 420	
420 TO 450	
450 TO 480	
480 TO 510	
510 TO 540	
540 TO 570	
570 TO 600	
600 TO 630	
630 TO 660	
660 TO 690	
690 TO 720	
720 TO 750	
750 TO 780	
780 TO 810	
810 TO 840	
840 TO 870	
870 TO 900	
900 TO 930	
930 TO 960	
960 TO 990	
990 TO 1020	
1020 TO 1050	
1050 TO 1080	
1080 TO 1110	
1110 TO 1140	
1140 TO 1170	
1170 TO 1200	
1200 TO 1230	
1230 TO 1260	
1260 TO 1290	
1290 TO 1320	
1320 TO 1350	
1350 TO 1380	
1380 TO 1410	
1410 TO 1440	
1440 TO 1470	
1470 TO 1500	
1500 TO 1530	
1530 TO 1560	
1560 TO 1590	
1590 TO 1620	
1620 TO 1650	
1650 TO 1680	
1680 TO 1710	
1710 TO 1740	
1740 TO 1770	
1770 TO 1800	
1800 TO 1830	
1830 TO 1860	
1860 TO 1890	
1890 TO 1920	
1920 TO 1950	
1950 TO 1980	
1980 TO 2010	
2010 TO 2040	
2040 TO 2070	
2070 TO 2100	
2100 TO 2130	
2130 TO 2160	
2160 TO 2190	
2190 TO 2220	
2220 TO 2250	
2250 TO 2280	
2280 TO 2310	
2310 TO 2340	
2340 TO 2370	
2370 TO 2400	
2400 TO 2430	
2430 TO 2460	
2460 TO 2490	
2490 TO 2520	
2520 TO 2550	
2550 TO 2580	
2580 TO 2610	
2610 TO 2640	
2640 TO 2670	
2670 TO 2700	
2700 TO 2730	
2730 TO 2760	
2760 TO 2790	
2790 TO 2820	
2820 TO 2850	
2850 TO 2880	
2880 TO 2910	
2910 TO 2940	
2940 TO 2970	
2970 TO 3000	

<p>THIS DRAWING INCLUDES THE PRINCIPLES OF DESIGN AS THE PROPERTY OF GEI GALLAY. IT IS TO BE USED IN ANY MANNER THAT MAY CONSTITUTE A BREACH OF INTELLECTUAL PROPERTY RIGHTS OR INFRINGEMENT OF PATENT RIGHTS. TO THE EXTENT PERMITTED BY LAW, GEI GALLAY ACCEPTS NO LIABILITY FOR THE ABOVE MENTIONED ACCEPTANCE OF THIS DRAWING WILL BE CONSIDERED AS AN AGREEMENT TO THE ABOVE.</p>	<p>GEI GALLAY</p> <p>Wharfedale House, 257 Wharfedale Road Troyes, Birmingham B11 2DP, United Kingdom Tel: 0121 763 5800 Fax: 0121 765 5801/2</p>	<p>TITLE</p> <p>G.A OF 300 LITRE POWDER/GRANULE IBC</p>	<p>SIZE</p> <p>A0</p>	<p>DATE</p> <p>13/07/99</p>	<p>SCALE</p> <p>1:5</p>	<p>DRG No.</p> <p>G1430-A01-001</p>	<p>SHT OF</p> <p>01 01</p>
--	--	--	-----------------------	-----------------------------	-------------------------	-------------------------------------	----------------------------