

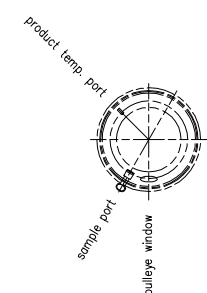
GPCG - 60
GRANULATION INSERT

GPCG - 60
GRANULATION INSERT

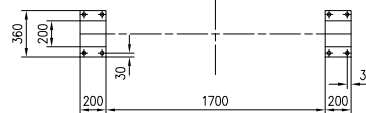
GPCG - 60
PROCESSING INSERT WURSTER/HS 32"

GPCG - 60
PROCESSING INSERT WURSTER/HS 18"

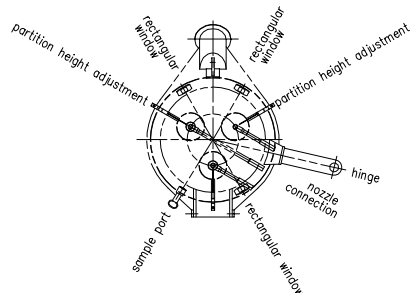
PROCESSING INSERT Rotor RI-780



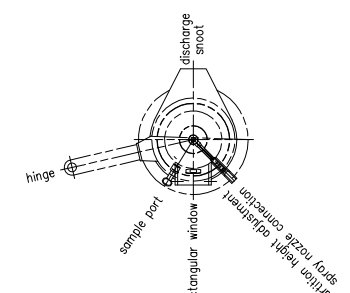
TOP VIEW
GRANULATION



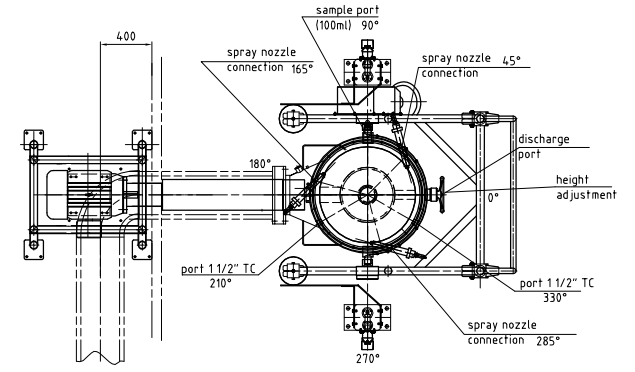
FOOT PAD DIMENSIONS



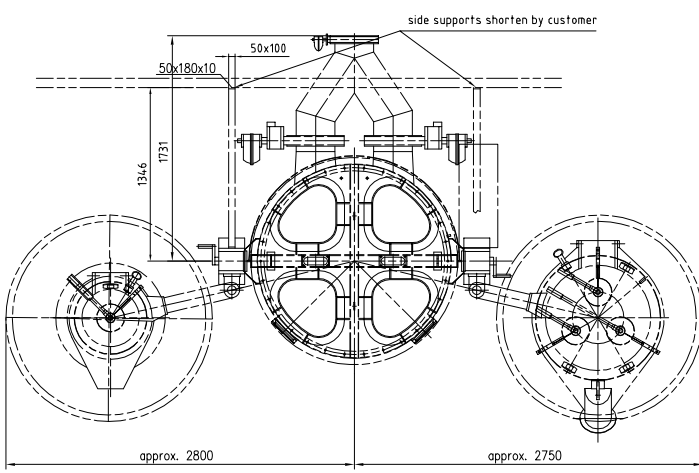
TOP VIEW
WURSTER 32"



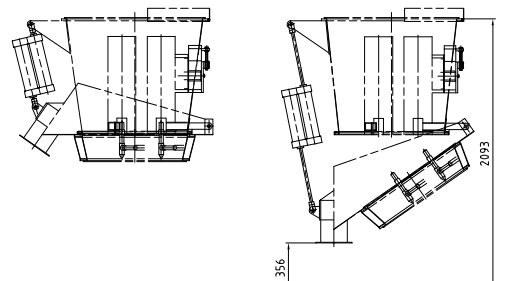
TOP VIEW
WURSTER 18"



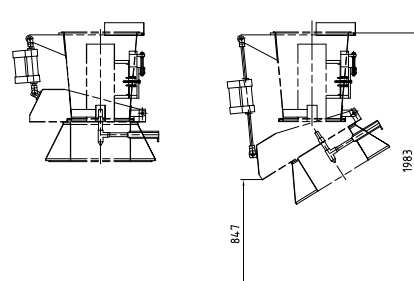
Expansion Chamber Rotor RI-780



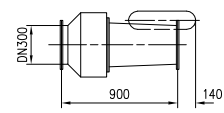
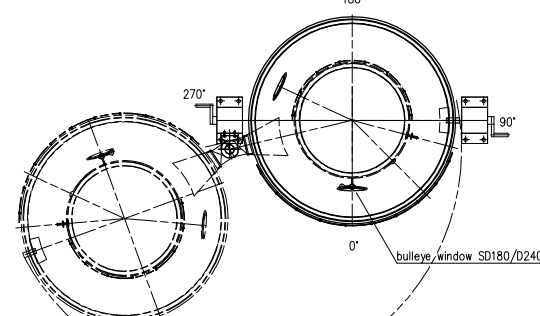
TOP VIEW



WURSTER 32"



WURSTER 18"



Q.A.S.V.

Permissible deviation for linear dimensions										
over 2	over 6	over 30	over 100	over 300	over 1000	over 2000	over 4000	over 8000	over 10000	over 20000
±0.5	±1	±2	±3	±4	±6	±10	±15	±25	±40	±60

project:	5663	Actavis USA
project:	DC101981	
general tolerance	ISO 2768 - mS	Scale 1:20
Surface	Surface	Weight -
welding tolerance	ISO 5817	
series	series 2	
Date	22.11.07	
Drawn	Vogel	GPCG 60 H
Check	L. Kaser	WU 18", WU32", Rotor RI780
Name		
Status	certifiziert	
Heat Treated		
shorten support	182.02.08	
support forces	31.01.08	
Coord.	Revision	