



IR ENERGY INC.
 563 BARTON STREET
 STONEY CREEK, ON L8E 5S1
 PHONE: (905) 664-9082
 www.irenergy.ca

SELECT DESIRED GAS:

NATURAL GAS

PROPANE

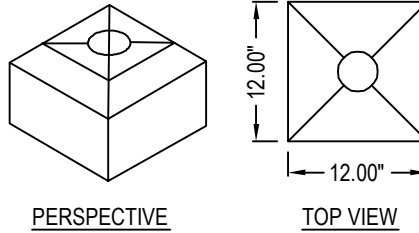
SELECT DESIRED FINISH:

304 STAINLESS STEEL

BLACK POWDER COAT

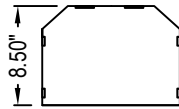
CUSTOM POWDER COAT
 SPECIFY: _____

OPTIONAL GAS CONNECTION COVER



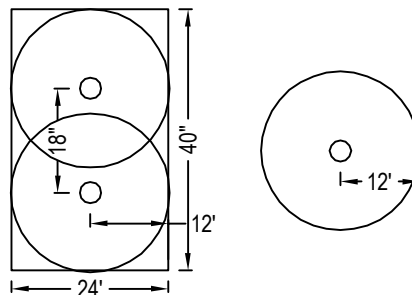
PERSPECTIVE

TOP VIEW



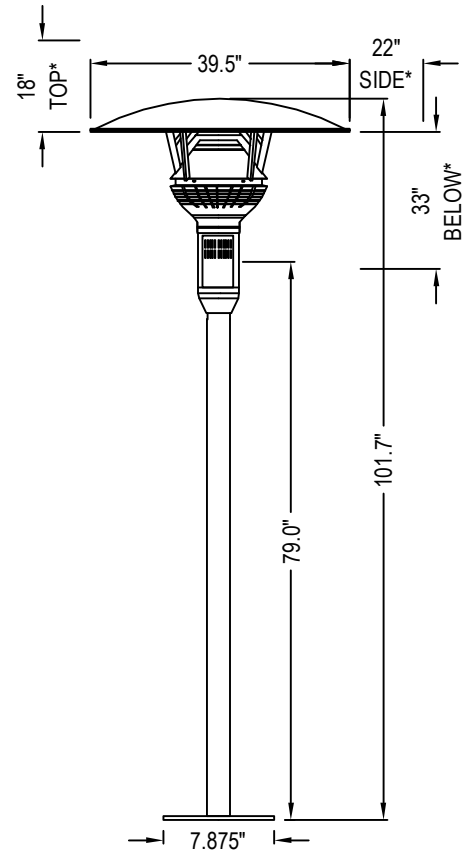
FRONT AND SIDE
 ELEVATION

HEAT COVERAGE

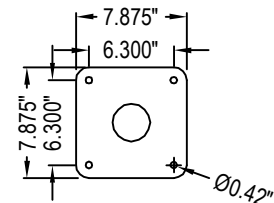


TYPICAL COVERAGE
 TWO HEATERS

TYPICAL COVERAGE
 ONE HEATER



FRONT ELEVATION - MODEL GA301-T



BOTTOM MOUNTING PLATE

TECHNICAL SPECIFICATIONS:

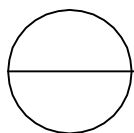
- HIGH FIRE - 53,000BTU/HR (NG)
 47,000BTU/HR (LPG)
- LOW FIRE - 46,000BTU/HR (NG)
 40,000BTU/HR (LPG)
- MANIFOLD PRESSURE: NG -
 5.5" W.C. (HI), 4.0" W.C. (LO) | LPG -
 9.8" W.C. (HI), 7.0" W.C. (LO)
- GAS SUPPLY PRESSURE: NG -
 6.5" W.C. (MIN), 14.0" W.C. (MAX) |
 LPG: 11.0" W.C. (MIN), 14.0" W.C.
 (MAX)
- ELECTRICAL SUPPLY: 24 VOLTS, 0.8
 AMPS
- DIRECT SPARK IGNITION WITH
 3-TRY LOCK OUT & AUTOMATIC
 RE-LIGHT

WARRANTY:

- 3 YEARS ON 316 STAINLESS STEEL
 EMITTER
- 1 YEAR ON ALL OTHER PARTS

NOTES:

1. INSTALLATION TO BE COMPLETED IN ACCORDANCE WITH MANUFACTURER'S SPECIFICATIONS.
2. DO NOT SCALE DRAWING.
3. THIS DRAWING IS INTENDED FOR USE BY ARCHITECTS, ENGINEERS, CONTRACTORS, CONSULTANTS AND DESIGN PROFESSIONALS FOR PLANNING PURPOSES ONLY. THIS DRAWING MAY NOT BE USED FOR CONSTRUCTION.
4. ALL INFORMATION CONTAINED HEREIN WAS CURRENT AT THE TIME OF DEVELOPMENT BUT MUST BE REVIEWED AND APPROVED BY THE PRODUCT MANUFACTURER TO BE CONSIDERED ACCURATE.
5. CONTRACTOR'S NOTE: FOR PRODUCT AND COMPANY INFORMATION VISIT www.CADdetails.com/info AND ENTER REFERENCE NUMBER 5029-014.



EVENGLO

EVENGLO FIXED SERIES: MODEL GA301T