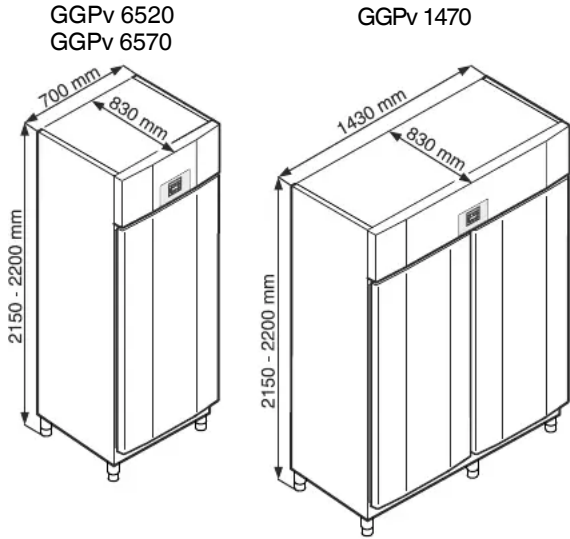
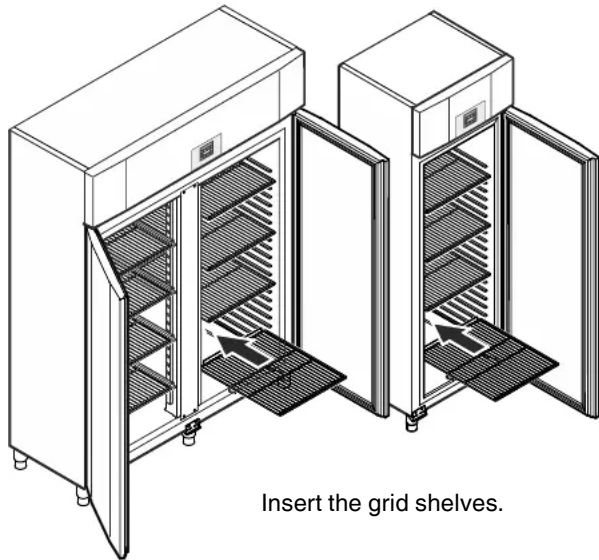


## Appliance dimensions



## Equipment



Insert the grid shelves.

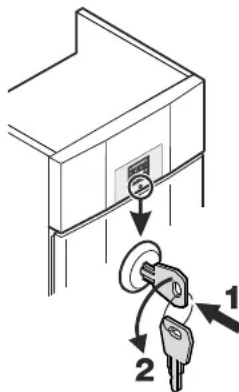
## Safety lock

The lock is equipped with a safety mechanism.

### Locking the appliance

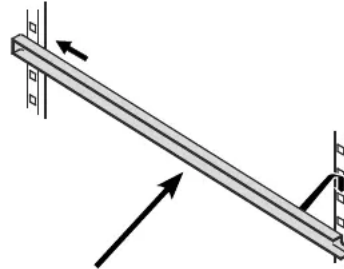
- Insert the key as shown by arrow 1.
- Turn the key 180° (2).

To unlock the appliance, the same procedure must be repeated in the same order.

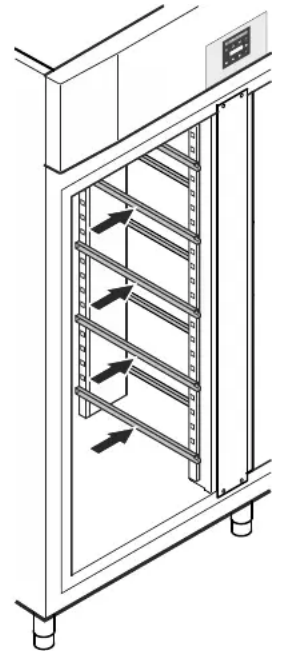


## GGPv 1470 equipment

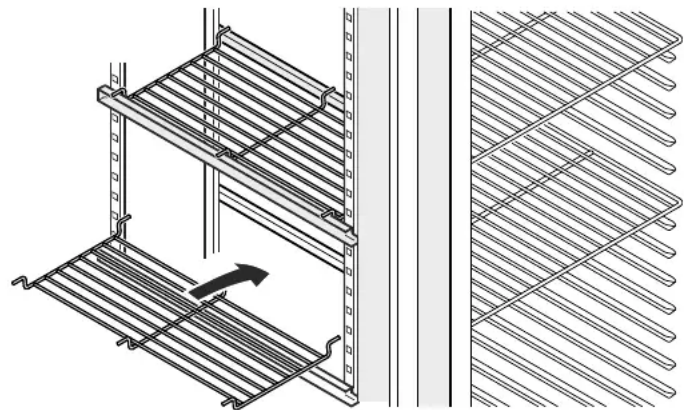
Fit the supplied shelf rails to the right and left of the vertical bar.



Suspend the rails at the desired height, by inserting into the rear clip-in strip first and then clipping in at the front.



## Intermediate shelves



Place the supplied intermediate shelves onto the shelf rails.

## NOTICE

The maximum load per intermediate shelf is 20 kg.

