

Drawing/Data Transmittal – Request for Approval

DATE: 02/25/2021

TO: **Steve Wescott**

PURCHASER NAME: **United Electric**
PURCHASER PO#: **S105025695**
PROJECT NAME: **Merck Danville Sub I**
SQUARE D Q2C #: **43487218**

ATTENTION: **Steve Wescott**

DRAWING TRANSMITTAL INFORMATION

ENCLOSED ARE COPIES OF DRAWINGS/ DATA SHEETS FOR:

EQUIPMENT DESCRIPTION

Q2C# 43508043-001 Outdoor Main Tie
Q2C# 43508043-002 Indoor Dist.
Q2C# 43510193-001 MMC Model 6 Control Center
Q2C# 43508042-001 XFMR

DRAWINGS/ DATA SHEETS FOR CUSTOMER APPROVAL

These drawings are for customer approval. A delivery schedule cannot be assigned; engineering production work cannot be performed until two approved prints are returned to Schneider Electric. Approval drawings must be returned to Schneider Electric by 03/13/2021

RECORD DRAWINGS

These drawings are for record purposes only, not for customer approval. If any discrepancy is noted, please advise us immediately as our engineering and production work are proceeding in accordance with these drawings.

REQUEST FOR RELEASE TO MANUFACTURE EQUIPMENT

In accordance with your request, drawings for approval were supplied. We have not received approved prints or your instructions to proceed with manufacture of the equipment. To avoid delay, we will appreciate your checking the job progress, approval of prints and the customer delivery date requirements. Please advise:

Date Approval Prints Will Be Returned: Customer Delivery Date Required:

Regards,
Collin Picciuti
973-580-6216
Collin.Picciuti@se.com
Schneider Electric Services Project Manager

COMMENTS: CC:



by Schneider Electric

Job Name: QED-2 - Copied from Q-2156313
Job Location: RIVERSIDE, PA

Square D Quotation #: 43508043
Quotation Revision #:
Sales Contact: CPQ
Sales Contact Location: 165

Purchaser: SCHNEIDER ELECTRIC USA INC
Purchaser PO #: T16-1300-01

Customer: SCHNEIDER ELECTRIC FIELD SERVICES
Customer PO #:

User: SCHNEIDER ELECTRIC FIELD SERVICES
User Location:

Architect: E ADV DEFAULT CUSTOMER
Cons. Engineer:

Drawing Status: APPROVAL

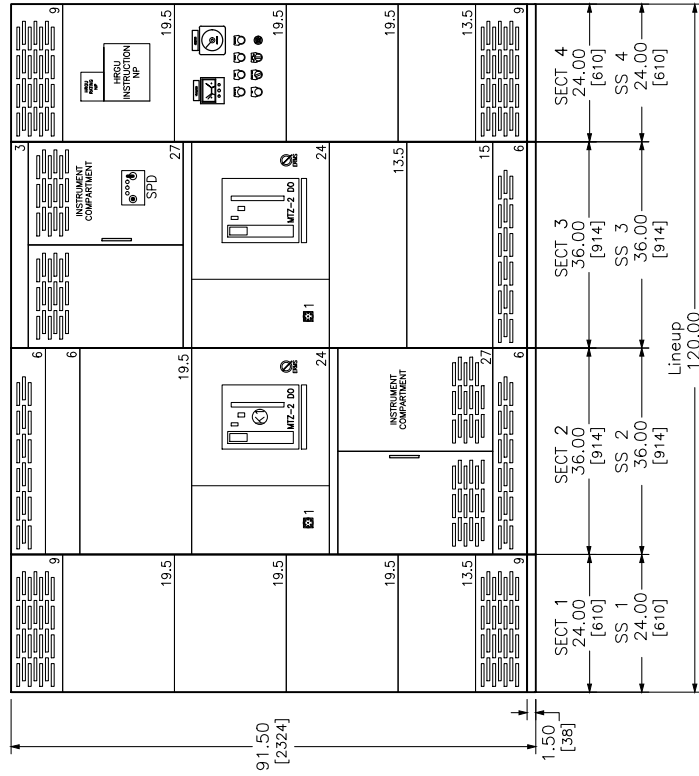
TABLE OF CONTENTS

SQUARE D FACTORY ORDER NUMBER: 43508043-001

<u>Equipment Designation</u>	<u>Equipment Type</u>	<u>Drawing Type</u>	<u>Drawing Number</u>	<u>Page</u>	<u>Revision Level</u>
SUB 1 - OUTDOOR MAIN/TIE	QED-2 SWITCHBOARD	ELEVATION VIEW	F43508043-001-01	1	-
		SIDE, TOP VIEW & FLOOR PLAN	F43508043-001-01	2	-
		GENERAL NOTES	F43508043-001-01	3	-
		DOOR DETAIL - HRGU	D43508043-001-04	1	-
		ONE LINE SCHEDULE	O43508043-001-01 O43508043-001-01	1 2	- -
		KEY INTERLOCK SCHEME	K43508043-001-01	1	-
		ELEMENTARY DIAGRAM	E43508043-001-01 E43508043-001-01 E43508043-001-02 E43508043-001-04	1 2 1 1	- - - -
		ELEMENTARY DIAGRAMS	E43508043-001-05	1	-
		ELEMENTARY DIAGRAM	E43508043-001-06 E43508043-001-07 E43508043-001-08	1 1 1	- - -
		SIDE, TOP VIEW & FLOOR PLAN	N43508043-001-01	1	-

REV	DESCRIPTION	BY	DATE

T-bus 19.5 in T-bus 36.5 in T-bus 19.5 in

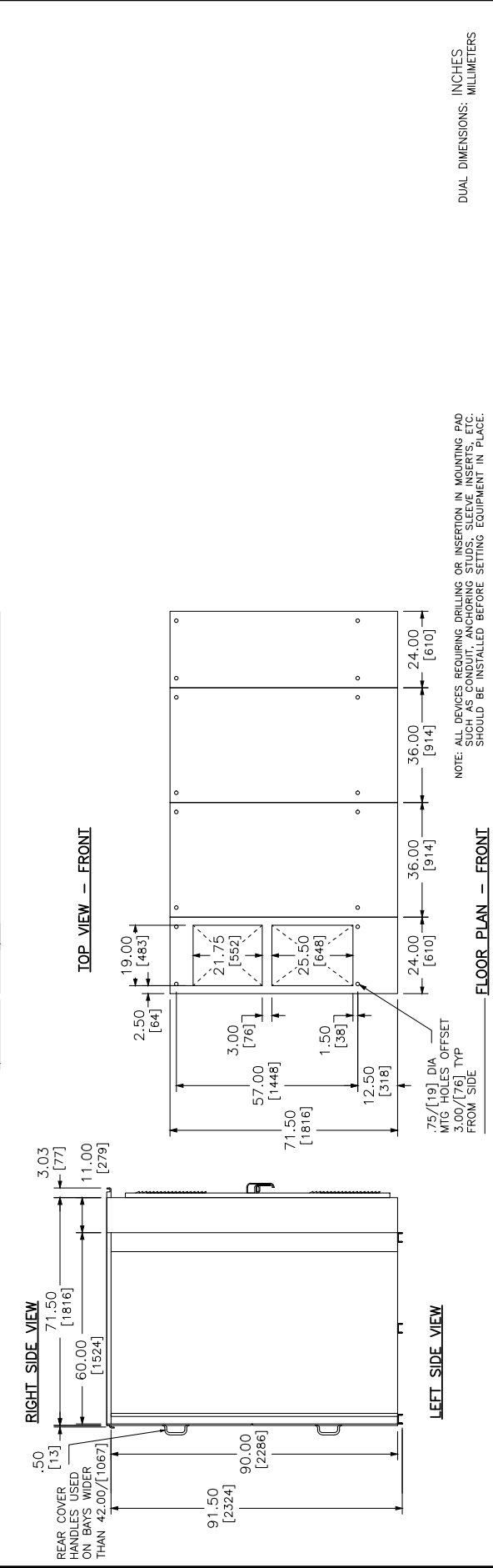
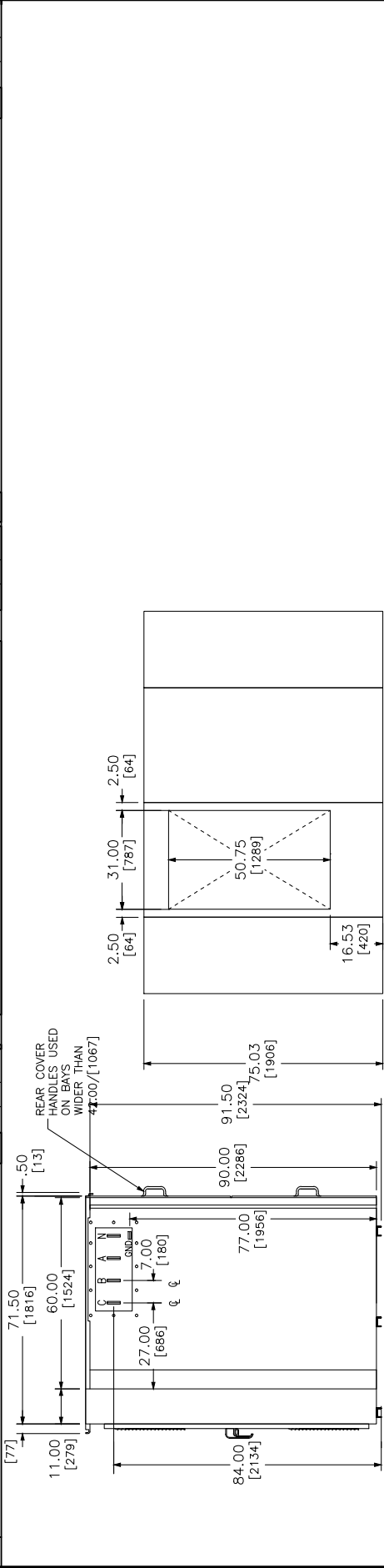


1. PLUG FOR REMOTE OPERATOR PENDANT

DUAL DIMENSIONS: INCHES
MILLIMETERS

JOB NAME:	QED-2 - COPIED FROM Q-2156313	EQUIPMENT DESIGNATION:	SUB 1 - OUTDOOR MAIN/TIE
JOB LOCATION:	RIVERSIDE PA	EQUIPMENT TYPE:	QED-2 SWITCHBOARD
DRAWN BY:	KELLY STROHECKER	DRAWING TYPE:	ELEVATION VIEW
ENGR:	SKS	DATE:	JANUARY 19 2021
DRAWING STATUS:	APPROVAL	DWG#	F43508043-001-01

REV	DESCRIPTION	BY	DATE



NOTE: ALL DEVICES REQUIRING DRILLING OR INSERTION IN MOUNTING PAD SUCH AS CONDUIT ANCHORING STUDS, SLEEVE INSERTS, ETC. SHOULD BE INSTALLED BEFORE SETTING EQUIPMENT IN PLACE.

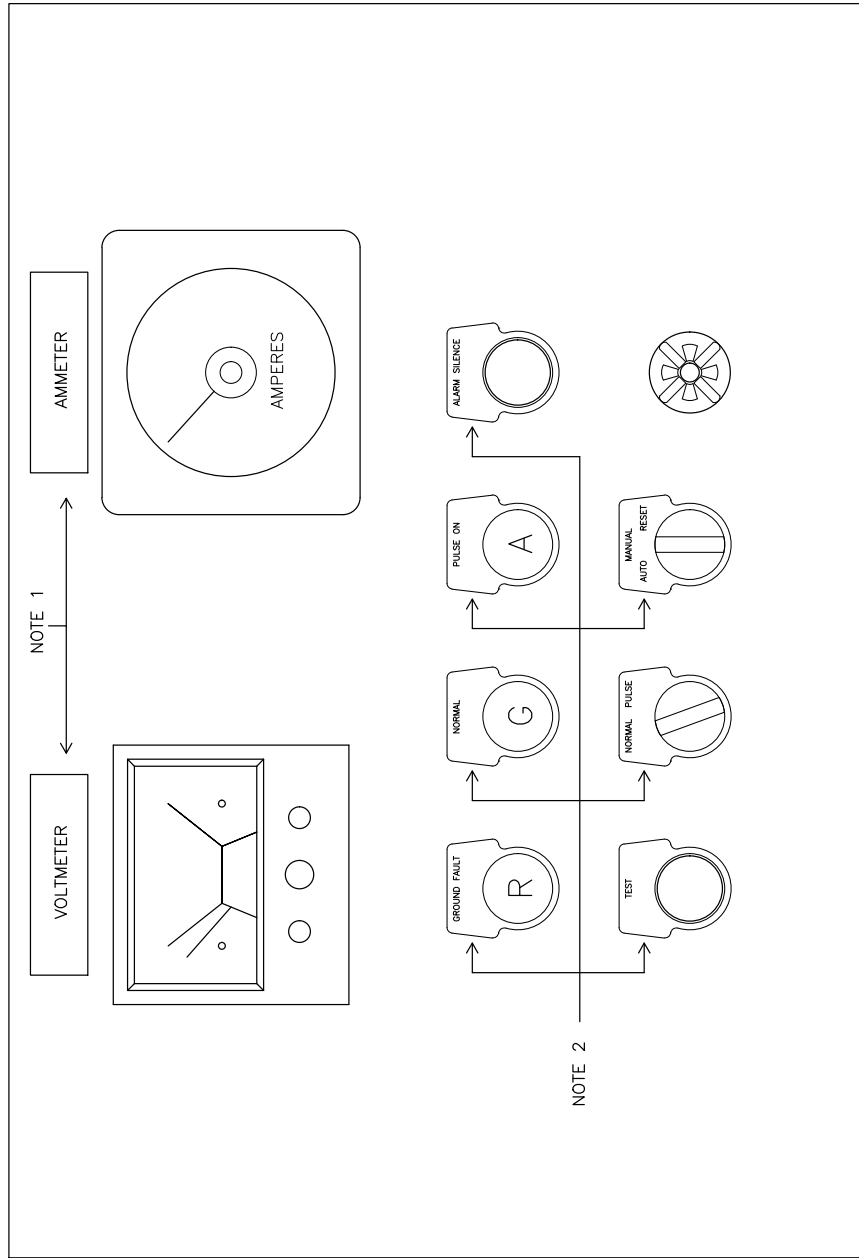
NOTE:
A MINIMUM OF 2.00/[51] CLEARANCE BEHIND THE SWITCHBOARD IS REQUIRED FOR TOP COVER OVERHANG.

DUAL DIMENSIONS: INCHES
MILLIMETERS

JOB NAME:	QED-2 - COPIED FROM 0-2156313
JOB LOCATION:	RIVERSIDE PA
DRAWN BY:	KELLY STROHECKER
ENGR:	SKS
DATE:	JANUARY 19 2021
DRAWING STATUS:	APPROVAL
EQUIPMENT DESIGNATION:	SUB 1 - OUTDOOR MAIN/TIE
EQUIPMENT TYPE:	QED-2 SWITCHBOARD
DRAWING TYPE:	SIDE, TOP VIEW & FLOOR PLAN
DATE:	JANUARY 19 2021
DWG#:	F43508043-001-01
FIG. 2	OF 3
REV. -	

REV	DESCRIPTION	BY	DATE

D | F | H | J



04 —

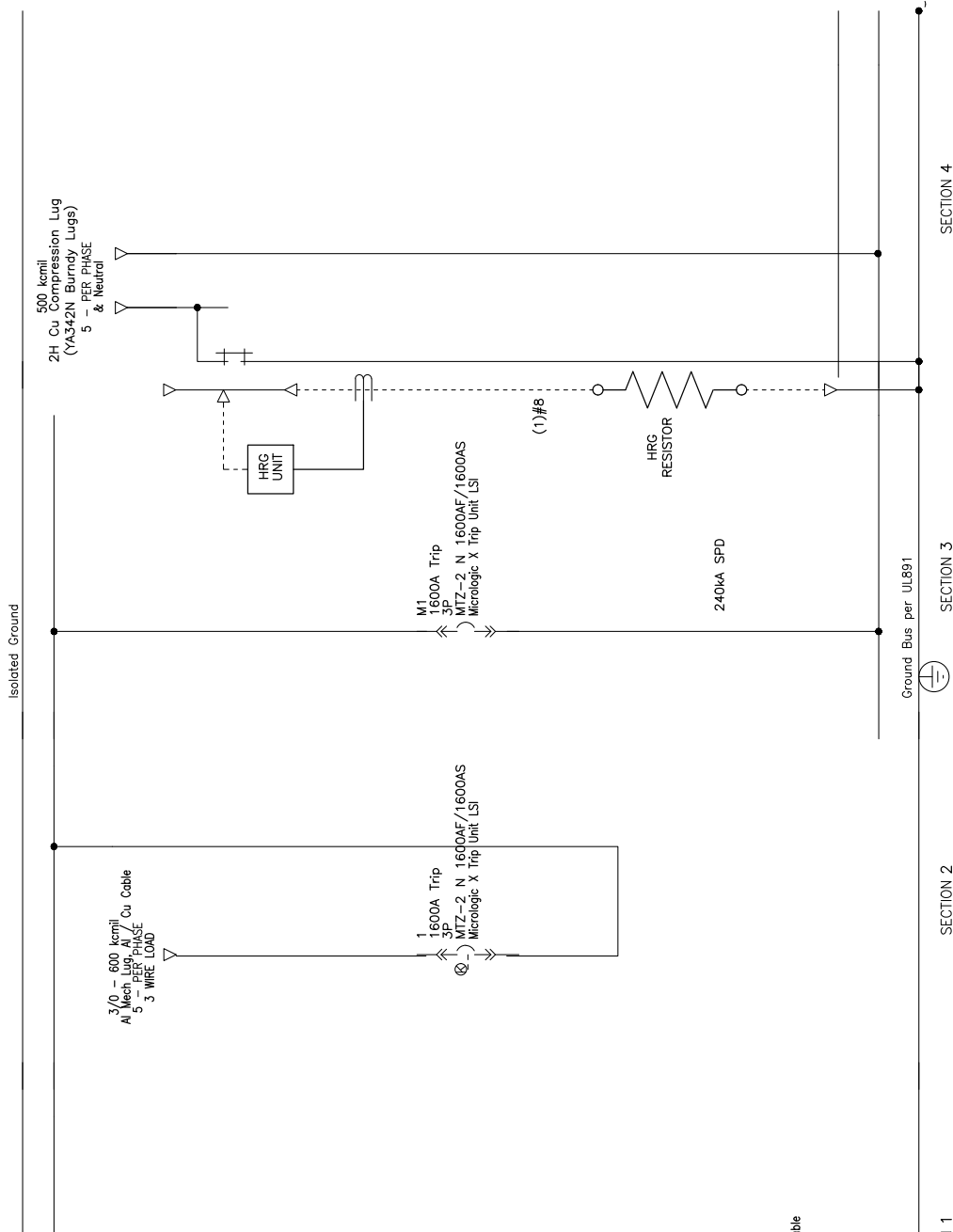
09 —

12 —

- NOTES:
1. NAMEPLATE P/N: 51140-017-04, WHITE WITH BLACK LETTERS, QTY 2.
(TEXT HEIGHT: 0.3")
 2. NAMEPLATE P/N: 9001KN300, QTY 7.

JOB NAME:	QED-2 - COPIED FROM Q-2156313	EQUIPMENT DESIGNATION:	SUB 1 - OUTDOOR MAIN/TIE
JOB LOCATION:	RIVERSIDE PA	EQUIPMENT TYPE:	QED-2 SWITCHBOARD
DRAWN BY:	KELLY STROHECKER	DRAWING TYPE:	DOOR DETAIL - HRGU
ENGR:	SKS	DATE:	JANUARY 19 2021
DATE:	JANUARY 19 2021	DRAWING STATUS:	APPROVAL
DWS# D43506043-001-04			FIG. 1 OF 3

REV	DESCRIPTION	BY	DATE



SECTION 1	SECTION 2	SECTION 3	SECTION 4
3/0 - 750 kcmil Al Mech Lug, Al/Cu Cable 5 - PER PHASE 3 WIRE LOAD	3/0 - 600 kcmil Al Mech Lug, Al/Cu Cable 5 - PER PHASE 3 WIRE LOAD	M1 1600A Trip MTZ-2 N, 1600kA/1600kA Micrologic X Trip Unit (LSI)	500 kcmil 2H Cu Compression Lug (YA342N Bunday Lugs) 5 - PER PHASE & Neutral
JOB NAME: QED-2 - COPIED FROM 0-2156313 EQUIPMENT DESIGNATION: SUB 1 - OUTDOOR MAIN/TIE JOB LOCATION: RIVERSIDE PA EQUIPMENT TYPE: QED-2 SWITCHBOARD DRAWN BY: KELLY STROHECKER DRAWING TYPE: ONE LINE ENGR: SKS DATE: JANUARY 19, 2021 DRAWING STATUS: APPROVAL			
DWG# 043509043-001-01 FIG. 1 OF 2 REV -			

REV	DESCRIPTION	BY	DATE

POWER STYLE QED-2 SWITCHBOARD

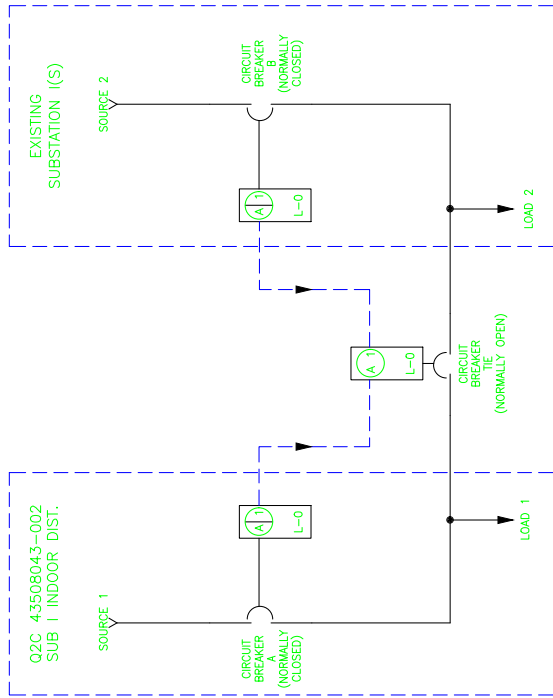
SECT NO	CKT NO	IMD /CND CONFIG	DEVICE /FRAME RATING	TRIP AMP	FUSE/TRIP	#P	DESIGNATION	N/P	LUG/WIRE INFORMATION		ACCESSORIES / NOTES
									QTY	PHASE	
1	-	-	Strip Heater	-	-	-	-	-	-	-	SHR
2	-	-	Strip Heater	-	-	-	-	-	-	-	SHR
2	1	D/O	MTZ-2 N 1600AF/1600AS	1600A	X-LSI	3P	TIE	No	5	3/0 - 600 kcmil	SDE1,OF4,ER,MCH,MX1,XF,PF,KEY,CCKK,CCPS,EN1 ERMS,D9
3	-	-	Strip Heater	-	-	-	-	-	-	-	SHR
3	-	-	240VA SPD	-	-	-	-	-	-	-	SPD
3	M1	D/O	MTZ-2 N 1600AF/1600AS	1600A	X-LSI	3P	-	No	-	-	SDE1,OF4,ER,MCH,MX1,XF,PF,CCKK,CCPS,EN1 ERMS,D9
4	-	-	Incoming Connection	-	-	-	-	-	5	500 KCMIL	SHR
4	-	-	Strip Heater	-	-	-	-	-	-	-	SHR

LEGEND	
CCKK	Cradle Cell Key Kit
CCPS	Cradle Cell Position Switch
D9	Energy Reduction Maintenance Settings
EN1	MTZ Breaker Power Supply
ER	Electrical Reset
ERMS	Energy Reduction Maintenance SW
KEY	Key Interlock
MCH	Spring Charging Motor
MX1	Shunt Trip
OF4	4 Form C Breaker Aux Contacts
PF	1 Form C Ready to Close Contact
SDE1	Over Current Trip Switch
SHR	Strip Heater
SPD	Surge Protection Device
XF	Closing Coil

do breakers have comm capabilities for future tie to campus DCS monitoring system?

JOB NAME:	QED-2 - COPIED FROM Q-2156313
JOB LOCATION:	RIVERSIDE PA
DRAWN BY:	KELLY STROHECKER
ENGR:	SKS
DATE:	JANUARY 19 2021
DRAWING STATUS:	APPROVAL
EQUIPMENT DESIGNATION:	SUB 1 - OUTDOOR MAIN/TIE
EQUIPMENT TYPE:	QED-2 SWITCHBOARD
DRAWING TYPE:	SCHEDULE
DATE:	JANUARY 19 2021
DWG#:	043506043-001-01
FIG:	2 OF 2
REV:	-

REV	DESCRIPTION	BY	DATE



PURPOSE: TO PREVENT PARALLELING OF SOURCES – ALL THREE BREAKERS CLOSED AT THE SAME TIME.
 TO PERMIT LOAD 1 AND LOAD 2 TO BE FED BY SEPARATE SOURCES OR HAVE BOTH LOADS FED BY THE SAME SOURCE.

NORMAL OPERATING CONDITION: SOURCE 1 FEEDING LOAD 1, SOURCE 2 FEEDING LOAD 2 – BREAKERS A AND B CLOSED, TIE BREAKER OPEN.

KEY TRANSFER SEQUENCE —1

- DESIRED CONDITION:** SOURCE 1 FEEDING BOTH LOADS 1 & 2 – BREAKERS A AND TIE CLOSED, BREAKER B OPEN.
- 1) OPEN BREAKER B AND ROTATE KEY A1 TO LOCK BREAKER OPEN – KEY IS NOW FREE
 - 2) REMOVE KEY A1 FROM BREAKER B AND INSERT KEY INTO LOCK ON THE BREAKER.
 - 3) ROTATE KEY A1 TO UNLOCK TIE BREAKER – KEY IS NOW HELD CAPTIVE.
 - 4) CLOSE TIE BREAKER.
 - 5) REVERSE PROCEDURE TO RESTORE LOAD 2 TO SOURCE 2.

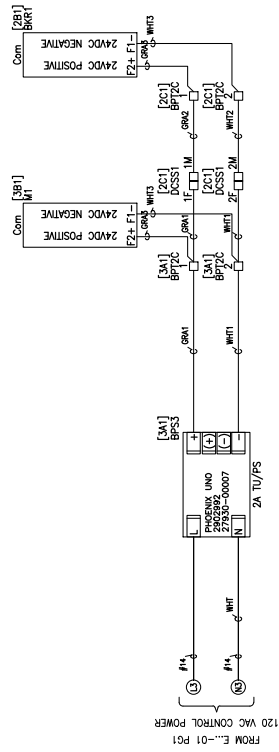
KEY TRANSFER SEQUENCE —2

- DESIRED CONDITION:** SOURCE 2 FEEDING BOTH LOADS 1 & 2 – BREAKERS B AND TIE CLOSED, BREAKER A OPEN.
- 1) OPEN BREAKER A AND ROTATE KEY A1 TO LOCK BREAKER OPEN – KEY IS NOW FREE
 - 2) REMOVE KEY A1 FROM BREAKER A AND INSERT KEY INTO LOCK ON THE BREAKER.
 - 3) ROTATE KEY A1 TO UNLOCK TIE BREAKER – KEY IS NOW HELD CAPTIVE.
 - 4) CLOSE TIE BREAKER.
 - 5) REVERSE PROCEDURE TO RESTORE LOAD 1 TO SOURCE 1.

NOTE: THIS SYSTEM USES TWO (2) KEYS ONLY. ANY SPARE KEYS MUST BE REMOVED AND SECURED TO PREVENT UNAUTHORIZED ACCESS.

JOB NAME:	QED-2 – COPIED FROM 0-2156313	EQUIPMENT DESIGNATION:	SUB 1 – OUTDOOR MAIN/TIE
JOB LOCATION:	RIVERSIDE PA	EQUIPMENT TYPE:	QED-2 SWITCHBOARD
DRAWN BY:	KELLY STROHECKER	DRAWING TYPE:	KEY INTERLOCK SCHEME
ENGR:	SKS		
DATE:	JANUARY 19 2021		
DRAWING STATUS:	APPROVAL	DWG#	K43508043-001-01
		PG	1 OF 1
		REV	—

REV	DESCRIPTION	BY	DATE



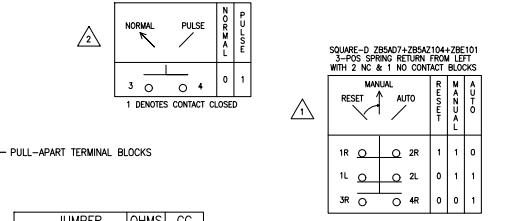
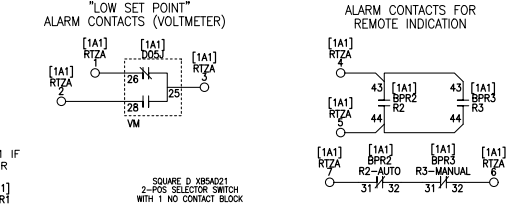
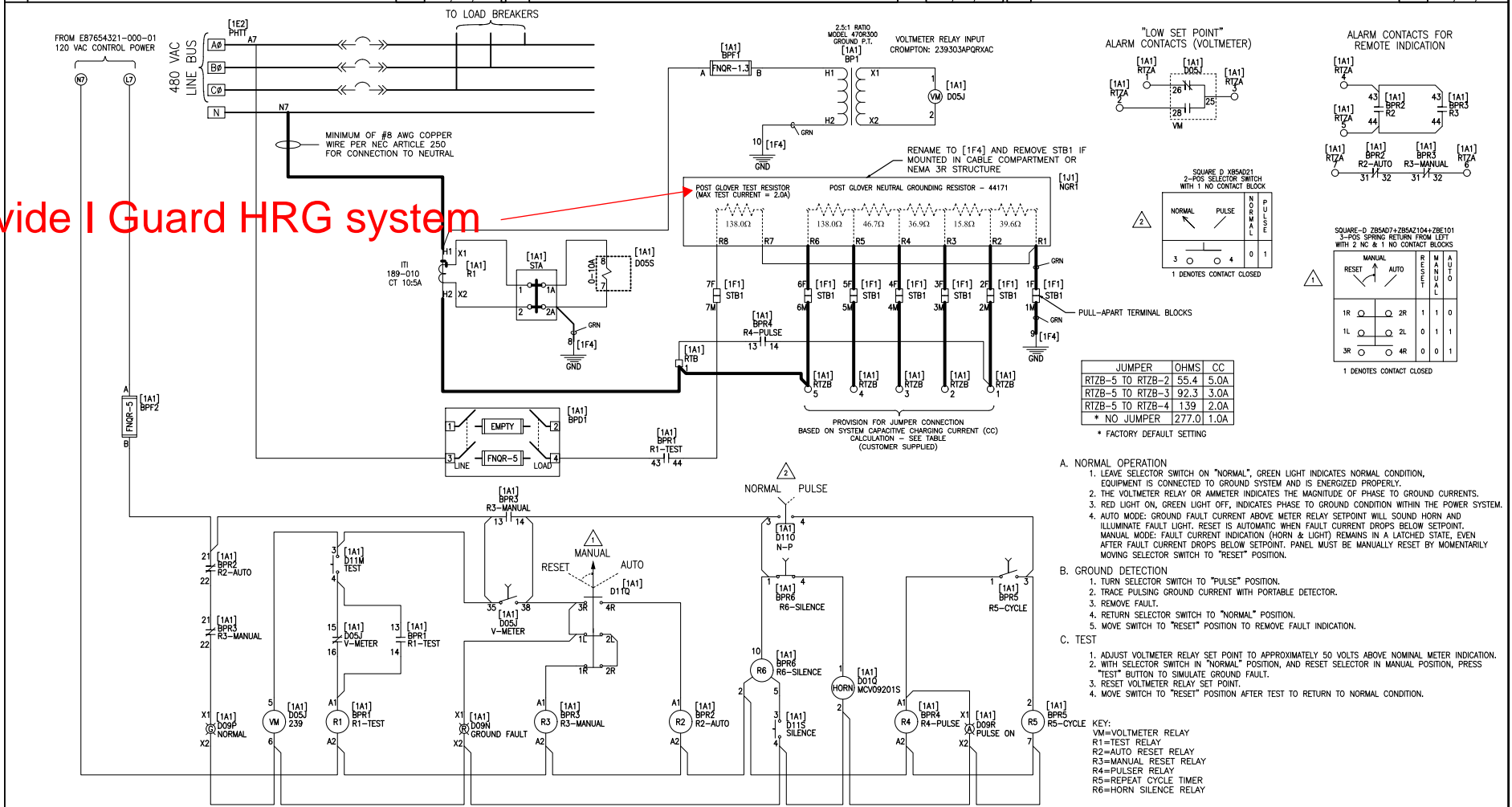
TRIP UNIT AUX POWER

JOB NAME:	QED-2 - COPIED FROM 0-2156313	EQUIPMENT DESIGNATION:	SUB 1 - OUTDOOR MAIN/TIE
JOB LOCATION:	RIVERSIDE PA	EQUIPMENT TYPE:	QED-2 SWITCHBOARD
DRAWN BY:	KELLY STROHECKER	DRAWING TYPE:	ELEMENTARY DIAGRAM
ENGR:	SKS		
DATE:	JANUARY 19 2021		
DRAWING STATUS:	APPROVAL		
		DWG#	E43509043-001-02
		PG	1 OF 1
		REV	-

- NOTES:
- USE #16 AWG RED UNLESS OTHERWISE NOTED.

REV	DESCRIPTION	BY	DATE						
---	---	---	---	---	---	---	---	---	---

provide I Guard HRG system



JUMPER	OHMS	CC
RTZB-5 TO RTZB-2	55.4	5.0A
RTZB-5 TO RTZB-3	92.3	3.0A
RTZB-5 TO RTZB-4	1.39	2.0A
* NO JUMPER	277.0	1.0A

* FACTORY DEFAULT SETTING

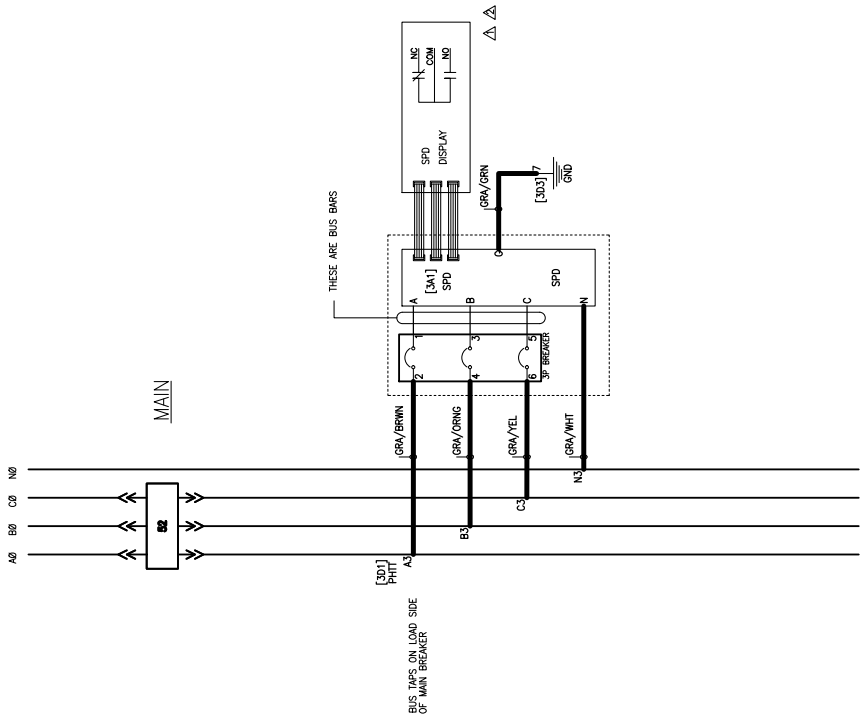
- A. NORMAL OPERATION**
1. LEAVE SELECTOR SWITCH ON "NORMAL", GREEN LIGHT INDICATES NORMAL CONDITION, EQUIPMENT IS CONNECTED TO GROUND SYSTEM AND IS ENERGIZED PROPERLY.
 2. THE VOLTMETER RELAY OR AMMETER INDICATES THE MAGNITUDE OF PHASE TO GROUND CURRENTS.
 3. RED LIGHT ON, GREEN LIGHT OFF, INDICATES PHASE TO GROUND CONDITION WITHIN THE POWER SYSTEM.
 4. AUTO MODE: GROUND FAULT CURRENT ABOVE METER RELAY SETPOINT WILL SOUND HORN AND ILLUMINATE FAULT LIGHT. RESET IS AUTOMATIC WHEN FAULT CURRENT DROPS BELOW SETPOINT. MANUAL MODE: FAULT CURRENT INDICATION (HORN & LIGHT) REMAINS IN A LATCHED STATE, EVEN AFTER FAULT CURRENT DROPS BELOW SETPOINT. PANEL MUST BE MANUALLY RESET BY MOMENTARILY MOVING SELECTOR SWITCH TO "RESET" POSITION.
- B. GROUND DETECTION**
1. TURN SELECTOR SWITCH TO "PULSE" POSITION.
 2. TRACE PULSING GROUND CURRENT WITH PORTABLE DETECTOR.
 3. REMOVE FAULT.
 4. RETURN SELECTOR SWITCH TO "NORMAL" POSITION.
 5. MOVE SWITCH TO "RESET" POSITION TO REMOVE FAULT INDICATION.
- C. TEST**
1. ADJUST VOLTMETER RELAY SET POINT TO APPROXIMATELY 50 VOLTS ABOVE NOMINAL METER INDICATION.
 2. WITH SELECTOR SWITCH IN "NORMAL" POSITION, AND RESET SELECTOR IN MANUAL POSITION, PRESS "TEST" BUTTON TO SIMULATE GROUND FAULT.
 3. RESET VOLTMETER RELAY SET POINT.
 4. MOVE SWITCH TO "RESET" POSITION AFTER TEST TO RETURN TO NORMAL CONDITION.
- KEY:**
 VM=VOLTMETER RELAY
 R1=TEST RELAY
 R2=AUTO RESET RELAY
 R3=MANUAL RESET RELAY
 R4=PULSER RELAY
 R5=REPEAT CYCLE TIMER
 R6=HORN SILENCE RELAY

- NOTES:**
1. ALL WIRING TO BE TYPE "SIS" (UL LISTED)
 2. ALL CONTROL FUSES MOUNTED IN FUSED PULLOUTS.
 3. USE #14 AWG WIRE UNLESS OTHERWISE NOTED.
 4. RESISTORS AS CONNECTED (WITHOUT JUMPER): GROUND CURRENT - 1A.
 5. GROUND CURRENTS MAY BE ALTERED AS NECESSARY.
 6. CUSTOMER TO DETERMINE SYSTEM CAPACITIVE CHARGING CURRENT AND MAKE APPROPRIATE JUMPER CONNECTION (SEE CHART)

HIGH RESISTANCE GROUND (HRG - WYE)

JOB NAME:	QED-2 - COPIED FROM Q-2156313	EQUIPMENT DESIGNATION:	SUB 1 - OUTDOOR MAIN/TIE
JOB LOCATION:	RIVERSIDE PA	EQUIPMENT TYPE:	QED-2 SWITCHBOARD
DRAWN BY:	KELLY STROHECKER	DRAWING TYPE:	ELEMENTARY DIAGRAM
ENGR:	SKS		Square-D
DATE:	JANUARY 19 2021		Schneider Electric
DRAWING STATUS:	APPROVAL	DWG#	E43508043-001-07

REV	DESCRIPTION	BY	DATE

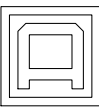


- NOTES:
1. ALL WIRING TO BE TYPE #6 AWG SIS (UL LISTED) WIRE UNLESS OTHERWISE NOTED.
 2. DISPLAY FORM C DRY CONTACTS ARE RATED @ 24VDC/AC - 2 AMPS.
 3. CABLES MUST BE AS SHORT AS POSSIBLE WITH A MINIMUM NUMBER OF LARGE RADIUS BENDS. MAXIMUM LENGTH OF CABLE FROM NEUTRAL AND GROUND BUS CONNECTIONS TO TVSS UNIT SHALL NOT EXCEED 8 FEET. MAXIMUM NUMBER OF BENDS SHALL NOT EXCEED 4. MINIMUM RADIUS SHALL BE 3 INCHES. CABLES MUST BE SECURELY FASTENED THROUGHOUT THEIR LENGTH.
 4. CABLES MUST BE DISCRETE FOR SINGLE CONDUCTORS. NO. 31-M89, SINGLE CONDUCTOR CABLE MAY BE TYPE SIS AND COLOR CODES MAY BE DISCRETE FOR SINGLE CONDUCTORS.
 5. PATCH CABLES MUST BE PROTECTED WHERE THEY CROSS THE HINGE SIDE DOOR FLANGE FROM DISPLAY TO INSTRUMENT COMPARTMENT. PATCH CABLES MUST BE KEPT SEPARATED FROM POWER WIRING.

(SPD Wiring Elementary

JOB NAME:	QED-2 - COPIED FROM 0-2156313
EQUIPMENT DESIGNATION:	SUB 1 - OUTDOOR MAIN/TIE
JOB LOCATION:	RIVERSIDE PA
EQUIPMENT TYPE:	QED-2 SWITCHBOARD
DRAWN BY:	KELLY STROHECKER
ENGR:	SKS
DATE:	JANUARY 19 2021
DRAWING TYPE:	ELEMENTARY DIAGRAM
DWG#:	E43509043-001-08
APPROVAL:	PG. 1 OF 1
REV:	REV -

REV	DESCRIPTION	BY	DATE						



SQUARE D COMPANY
"HIGH RESISTANCE GROUND"

8.00

(4) SCREW MTC HOLE

A. NORMAL OPERATION

1. LEAVE SELECTOR SWITCH ON "NORMAL", GREEN LIGHT INDICATES NORMAL CONDITION, EQUIPMENT IS CONNECTED TO GROUND SYSTEM AND IS ENERGIZED PROPERLY.
2. THE VOLTMETER RELAY AND AMMETER INDICATE THE MAGNITUDE OF PHASE TO GROUND CURRENTS.
3. RED LIGHT ON INDICATES PHASE TO GROUND CONDITION WITHIN THE POWER SYSTEM.
4. AUTO MODE: GROUND FAULT CURRENT ABOVE METER RELAY SETPOINT WILL SOUND HORN AND ILLUMINATE FAULT LIGHT. RESET IS AUTOMATIC WHEN FAULT CURRENT DROPS BELOW SET POINT. MANUAL MODE: FAULT CURRENT INDICATION (HORN & LIGHT) REMAINS IN A LATCHED STATE, EVEN AFTER FAULT CURRENT FALLS BELOW SET POINT. PANEL MUST BE MANUALLY RESET BY MOMENTARILY MOVING SELECTOR SWITCH TO "RESET" POSITION.


B. GROUND DETECTION

1. TURN SELECTOR SWITCH TO "PULSE" POSITION.
2. TRACE PULSING GROUND CURRENT WITH PORTABLE DETECTOR.
3. REMOVE FAULT.
4. RETURN SELECTOR SWITCH TO "NORMAL" POSITION.
5. SELECT "RESET" POSITION TO REMOVE FAULT INDICATION IF IN MANUAL MODE.

C. TEST

1. ADJUST VOLTMETER RELAY SET POINT TO APPROXIMATELY 50 VOLTS ABOVE NOMINAL METER INDICATION.
2. WITH SELECTOR SWITCH IN "NORMAL" POSITION, AND RESET SELECTOR IN MANUAL POSITION, DEPRESS METER RELAY TO INDUCE GROUND FAULT.
3. RESET VOLTMETER RELAY SET POINT AND MOMENTARILY SELECT RESET TO REMOVE FAULT INDICATION.
4. AFTER TEST, TURN "RESET" SELECTOR TO NORMAL POSITION (AUTO OR MANUAL).

THE SYSTEM NEUTRAL CONDUCTOR SHALL NOT BE CONNECTED TO GROUND AT THE SWITCHGEAR OR THE SOURCE EXCEPT THROUGH THE GROUNDING IMPEDANCE



SQUARE D

HIGH RESISTANCE GROUNDING SYSTEM
SISTEMA DE PUESTA A TIERRA DE ALTA RESISTENCIA
SYSTEME DE M.A.L.T. A HAUTE RESISTENCIA

5.00

4.00

80298-164-01

FACTORY ORDER NUMBER NUMERO DE COMMANDE DE USINE	43508043-001
DRAWING NUMBER NUMERO DE DESSIN	E43508043-001-07
PHASE	3
SYSTEM TYPE TYPE DE SYSTEME	WYE
COOPERATIVE NOMINAL (kVA) COURANT NOMINAL (kVA)	7.0 AMP
RESISTANCE TOTAL (Ω 25°C) RESISTANCE TOTALE (Ω 25°C)	277 OHMS
SYSTEM VOLTAGE TENSION DEL SISTEMA	480
HERTZ	60

REV

HRG RATING NAMEPLATE

HRG INSTRUCTION NAMEPLATE

JOB NAME:	QED-2 - COPIED FROM 0-2156313	EQUIPMENT DESIGNATION:	SUB 1 - OUTDOOR MANV/TIE
JOB LOCATION:	RIVERSIDE PA	EQUIPMENT TYPE:	QED-2 SWITCHBOARD
DRAWN BY:	KELLY STROHECKER	DRAWING TYPE:	SIDE, TOP VIEW & FLOOR PLAN
ENGR:	SJS		
DATE:	JANUARY 19 2021		
DRAWING STATUS:	APPROVAL	DWG#	143508043-001-01
		PG1	OF1

BLANK NAMEPLATE: 8 X 10
BLACK WITH WHITE CORE: 80459-031-02



by Schneider Electric

Job Name: QED-2 – Copied from Q-2156313
Job Location: RIVERSIDE, PA

Square D Quotation #: 43508043
Quotation Revision #:
Sales Contact: CPQ
Sales Contact Location: 165

Purchaser: SCHNEIDER ELECTRIC USA INC
Purchaser PO #: T16-1300-01

Customer: SCHNEIDER ELECTRIC FIELD SERVICES
Customer PO #:

User: SCHNEIDER ELECTRIC FIELD SERVICES
User Location:

Architect: E ADV DEFAULT CUSTOMER
Cons. Engineer:

Drawing Status: APPROVAL

TABLE OF CONTENTS

SQUARE D FACTORY ORDER NUMBER: 43508043-002

<u>Equipment Designation</u>	<u>Equipment Type</u>	<u>Drawing Type</u>	<u>Drawing Number</u>	<u>Page</u>	<u>Revision Level</u>
SUB I INDOOR DIST.	QED-2 SWITCHBOARD	ELEVATION VIEW	F43508043-002-01	1	-
		SIDE, TOP VIEW & FLOOR PLAN	F43508043-002-01	2	-
		ONE LINE SCHEDULE	043508043-002-01	1	-
			043508043-002-01	2	-
		KEY INTERLOCK SCHEME	K43508043-002-01	1	-
		ELEMENTARY DIAGRAM	E43508043-002-01	1	-
			E43508043-002-02	1	-
			E43508043-002-02	2	-
			E43508043-002-03	1	-
			E43508043-002-04	1	-
			E43508043-002-05	1	-
			E43508043-002-08	1	-

REV	DESCRIPTION	BY	DATE

SWITCHBOARD GENERAL NOTES
PRODUCT DESCRIPTION & RATINGS

Power System Data

480V 3Ph 3W 60Hz / 3 Phase Wye
 Solidly Grounded
 System Short Circuit Current Rating: 65KA RMS
 Incoming Section 1 Cable Through the Bottom Left of Lineup

Bus System Data

1600A Silver Plated Copper Main Bus
 (2) .25x2.00 IN/6x51 mm Cu Bus Bar Per Phase
 (2) .25x2.00 IN/6x51 mm Cu Bus Bar Per Phase
 (1) .25x.875 IN/6x22 mm Cu Ground Bus

Enclosure Data

Type 1 Free Standing
 Exterior Paint Color: ANSI 49
 Front Accessibility Only Required
 Handling: Rollers & Lifting Assemblies

Estimated Shipping Weight

Shipping Split 1 1139.00 lbs / 516.65 kgs
 Shipping Split 2 1020.00 lbs / 462.67 kgs
 Complete Lineup 2159.00 lbs / 979.32 kgs

Code Standards

U.L. Deadfront

Rating Nameplates

ST1- Deadfront - Section Bus 1600A
 ST2- Deadfront - Section Bus 1600A

PRODUCT INFORMATION

Wiring

All wiring to be SIS Wire type

Instruction Bulletins

Reference 80043-055 For Handling, Installation, Anchoring, Inspection And Maintenance Information

Product Accessories/Options

24V Trip Unit Display Power
 Masterpact 3-Pole Breaker Lifting Bar Assembly
 Locally Mounted ERMS Switch

Customer Tags

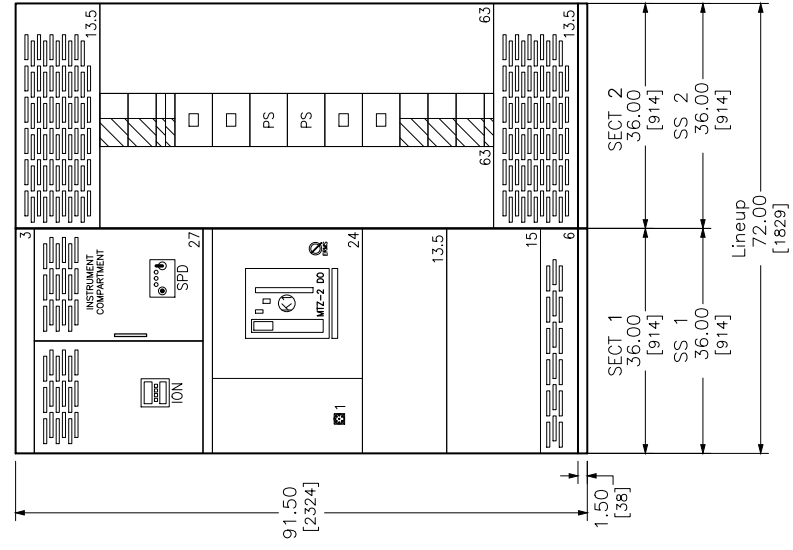
SP-0915 - PUSHBUTTON, NW STATION

top feed incoming
 and outgoing
 feeders.

do we need side
 access for incoming
 cables? if so, main
 may be better on
 right side.

T-bus
 36.5 in

T-bus
 19.5 in

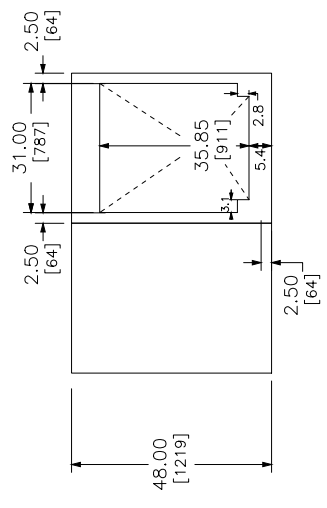


1. PLUG FOR REMOTE OPERATOR PENDANT

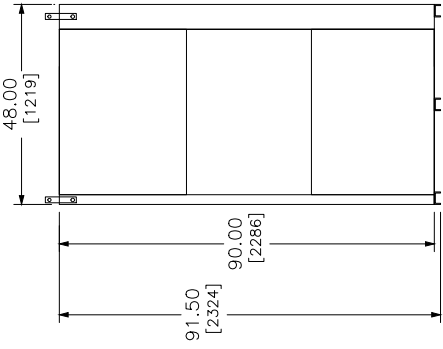
DUAL DIMENSIONS: INCHES
 MILLIMETERS

JOB NAME:	QED-2 - COPIED FROM 0-2156313
JOB LOCATION:	RIVERSIDE PA
DRAWN BY:	KELLY STROHECKER
ENGR:	SKS
DATE:	JANUARY 22, 2021
DRAWING STATUS:	APPROVAL
EQUIPMENT DESIGNATION:	SUB 1 INDOOR DIST.
EQUIPMENT TYPE:	QED-2 SWITCHBOARD
DRAWING TYPE:	ELEVATION VIEW
SQUARE	
By Product-Engineer	
DWG#	F4508043-002-01
PG	1 OF 2
REV	-

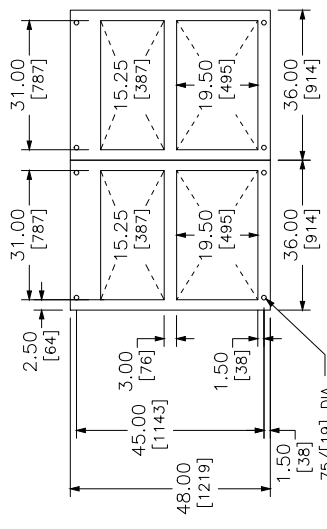
REV	DESCRIPTION	BY	DATE



TOP VIEW -- FRONT



LEFT SIDE VIEW



7/5 (19) DIA
MIG HOLES OFFSET
3.00/[76] TYP
FROM SIDE

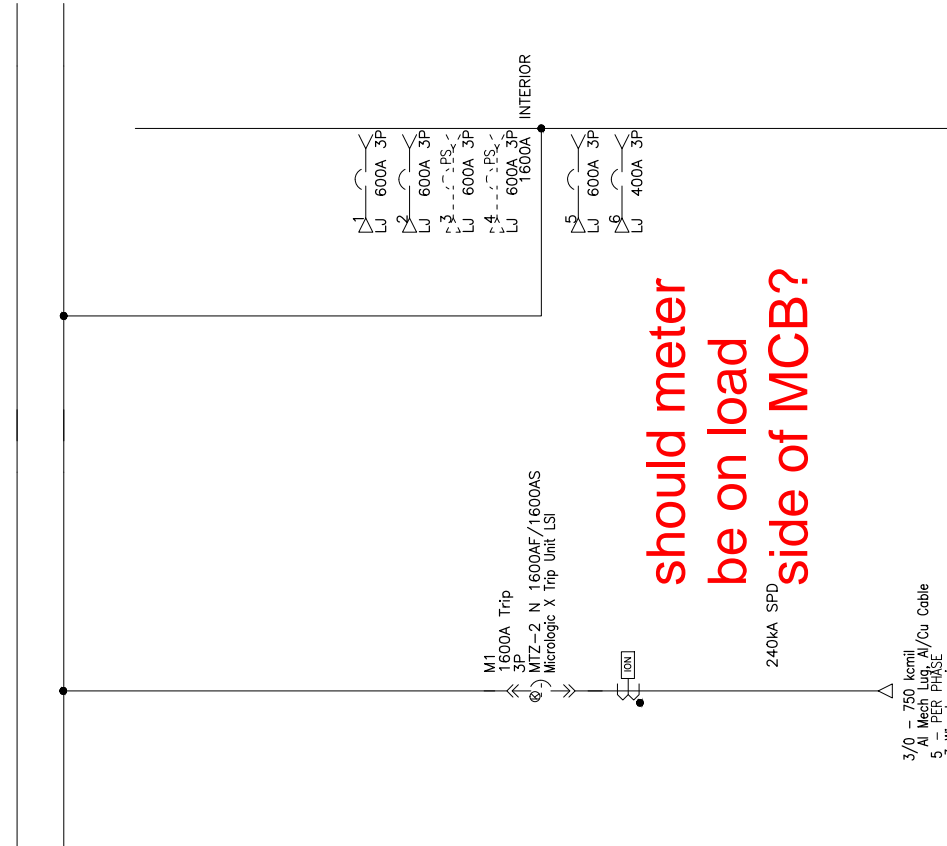
FLOOR PLAN -- FRONT

NOTE: ALL DEVICES REQUIRING DRILLING OR INSERTION IN MOUNTING PAD SUCH AS CONDUIT, ANCHORING STUDS, SLEEVE INSERTS, ETC. SHOULD BE INSTALLED BEFORE SETTING EQUIPMENT IN PLACE.

DUAL DIMENSIONS: INCHES
MILLIMETERS

JOB NAME:	QED-2 - COPIED FROM 0-2156313
JOB LOCATION:	RIVERSIDE PA
DRAWN BY:	KELLY STROHECKER
ENGR:	SKS
DATE:	JANUARY 22, 2021
DRAWING STATUS:	APPROVAL
EQUIPMENT DESIGNATION:	SUB 1 INDOOR DIST.
EQUIPMENT TYPE:	QED-2 SWITCHBOARD
DRAWING TYPE:	SIDE, TOP VIEW & FLOOR PLAN
DWG#	F4508043-002-01
PG	2 OF 2
REV	-

REV	DESCRIPTION	BY	DATE	REV	DESCRIPTION	BY	DATE



SECTION 1

SECTION 2

JOB NAME:	QED-2 - COPIED FROM 0-2156313	EQUIPMENT DESIGNATION:	SUB 1 INDOOR DIST.
JOB LOCATION:	RIVERSIDE PA	EQUIPMENT TYPE:	QED-2 SWITCHBOARD
DRAWN BY:	KELLY STROHECKER	DRAWING TYPE:	ONE LINE
ENGR:	SKS	SQUARE By <small>Professional Engineer</small>	
DATE:	JANUARY 22, 2021	DWG#	043509043-002-01
DRAWING STATUS:	APPROVAL	PG	1 OF 2
		REV	-

REV	DESCRIPTION	BY	DATE

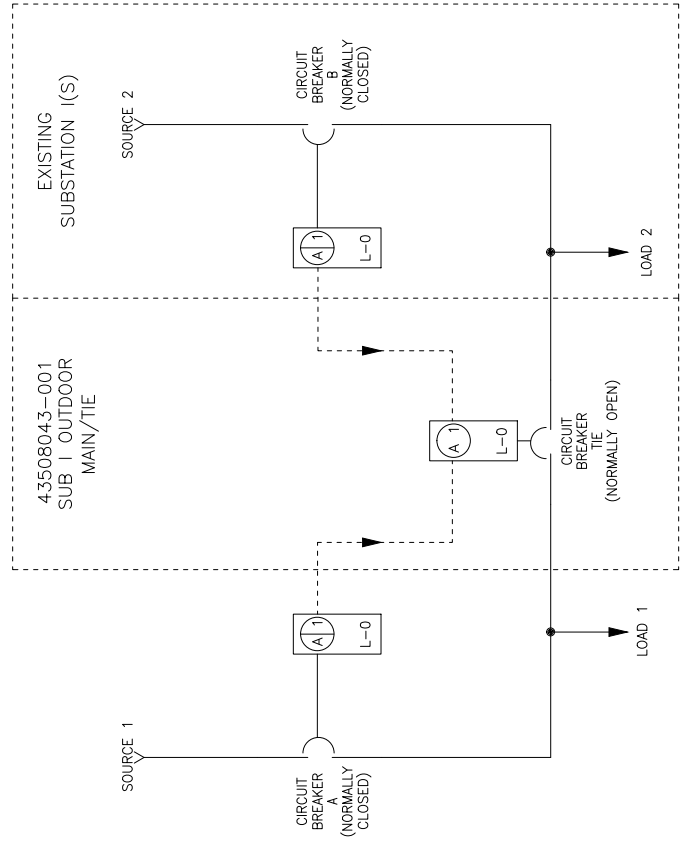
POWER STYLE QED-2 SWITCHBOARD

SECT NO	CKT NO	IMD /GMD CONFIG	DEVICE / FRAME RATING	TRIP AMP	FUSE/ TRIP	#P	DESIGNATION	N/P	LUG/WIRE INFORMATION			ACCESSORIES / NOTES
									QTY	PHASE	WIRE RANGE	
1	M1	D/O	240A SPD	1600A	X-LSI	3P						SPD
2	1	6 in	MTZ-2 N 1600AF/1600MS	600A	A-LSI	3P		No	3/0 - 750	500kcmil	3W Load	SDE1,OF4,ER,MCH,MX1,XF,PF,KEY,CGKK,CCPS,EN1 ION9,ERMS,D9
2	2	6 in	LI 600A	600A	A-LSI	3P		No	4/0 - 500kcmil	500kcmil	3W Load	
2	3	6 in	LI 600A (PS)	600A	A-LSI	3P		No	4/0 - 500kcmil	500kcmil	3W Load	
2	4	6 in	LI 600A (PS)	(600A)	(LSI)	3P		No	4/0 - 500kcmil	500kcmil	3W Load	
2	5	6 in	LI 600A	600A	A-LSI	3P		No	4/0 - 500kcmil	500kcmil	3W Load	
2	6	6 in	LI 400A	400A	A-LSI	3P		No	3/0 - 500	500 kcmil	3W Load	

LEGEND	
CCKK	Cradle Cell Key Kit
CCPS	Cradle Cell Position Switch
D9	Energy Reduction Maintenance Settings
EN	H-J-L Breaker Power Supply
EN1	MTZ Breaker Power Supply
ER	Electrical Reset
ERMS	Energy Reduction Maintenance SW
ION9	ION Meter ION9000
KEY	Key Interlock
MCH	Spring Charging Motor
MX1	Shunt Trip
OF4	4 Form C Breaker Aux Contacts
PF	1 Form C Ready to Close Contact
SDE1	Over Current Trip Switch
SPD	Surge Protection Device
XF	Closing Coil

JOB NAME:	QED-2 - COPIED FROM 0-2156313
JOB LOCATION:	RIVERSIDE PA
DRAWN BY:	KELLY STROHECKER
ENGR:	SKS
DATE:	JANUARY 22, 2021
DRAWING STATUS:	APPROVAL
EQUIPMENT DESIGNATION:	SUB 1 INDOOR DIST.
EQUIPMENT TYPE:	QED-2 SWITCHBOARD
DRAWING TYPE:	SCHEDULE
SQUARE	
<small>By Electronic Equipment</small>	
DWG#	04-3509043-002-01
PG	2 OF 2
REV	-

REV	DESCRIPTION	BY	DATE



PURPOSE: TO PREVENT PARALLELING OF SOURCES – ALL THREE BREAKERS CLOSED AT THE SAME TIME.
 TO PERMIT LOAD 1 AND LOAD 2 TO BE FED BY SEPARATE SOURCES OR HAVE BOTH LOADS FED BY THE SAME SOURCE.

NORMAL OPERATING CONDITION: SOURCE 1 FEEDING LOAD 1, SOURCE 2 FEEDING LOAD 2 – BREAKERS A AND B CLOSED, TIE BREAKER OPEN.

KEY TRANSFER SEQUENCE -1

- DESIRED CONDITION: SOURCE 1 FEEDING BOTH LOADS 1 & 2 – BREAKERS A AND TIE CLOSED, BREAKER B OPEN.
- 1) OPEN BREAKER B AND ROTATE KEY A1 TO LOCK BREAKER OPEN – KEY IS NOW FREE.
 - 2) REMOVE KEY A1 FROM BREAKER B AND INSERT KEY INTO LOCK ON TIE BREAKER.
 - 3) ROTATE KEY A1 TO UNLOCK TIE BREAKER – KEY IS NOW HELD CAPTIVE.
 - 4) CLOSE TIE BREAKER.
 - 5) REVERSE PROCEDURE TO RESTORE LOAD 2 TO SOURCE 2.

KEY TRANSFER SEQUENCE -2

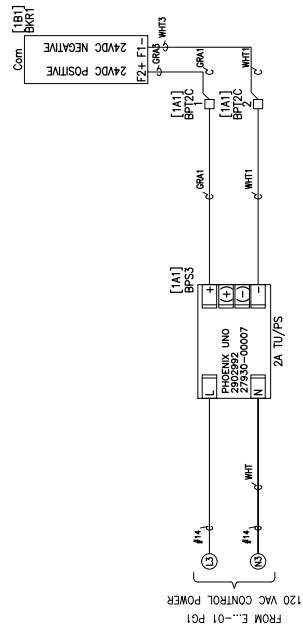
- DESIRED CONDITION: SOURCE 2 FEEDING BOTH LOADS 1 & 2 – BREAKERS B AND TIE CLOSED, BREAKER A OPEN.
- 1) OPEN BREAKER A AND ROTATE KEY A1 TO LOCK BREAKER OPEN – KEY IS NOW FREE.
 - 2) REMOVE KEY A1 FROM BREAKER A AND INSERT KEY INTO LOCK ON TIE BREAKER.
 - 3) ROTATE KEY A1 TO UNLOCK TIE BREAKER – KEY IS NOW HELD CAPTIVE.
 - 4) CLOSE TIE BREAKER.
 - 5) REVERSE PROCEDURE TO RESTORE LOAD 1 TO SOURCE 1.

DUAL DIMENSIONS: INCHES
MILLIMETERS

JOB NAME: QED-2 – COPIED FROM 0-2156313	EQUIPMENT DESIGNATION: SUB I INDOOR DIST.
JOB LOCATION: RIVERSIDE PA	EQUIPMENT TYPE: QED-2 SWITCHBOARD
DRAWN BY: KELLY STROHECKER	DRAWING TYPE: KEY INTERLOCK SCHEME
ENGR: SKS	SCALE: 1
DATE: JANUARY 22, 2021	BY: Kelly Strohecker
DRAWING STATUS: APPROVAL	DWG# K43508043-002-01
PG 1	OF 1
REV -	

NOTE: THIS SYSTEM USES TWO (2) KEYS ONLY. ANY SPARE KEYS MUST BE REMOVED AND SECURED TO PREVENT UNAUTHORIZED ACCESS.

REV	DESCRIPTION	BY	DATE



FROM E...01 PCI
120 VAC CONTROL POWER

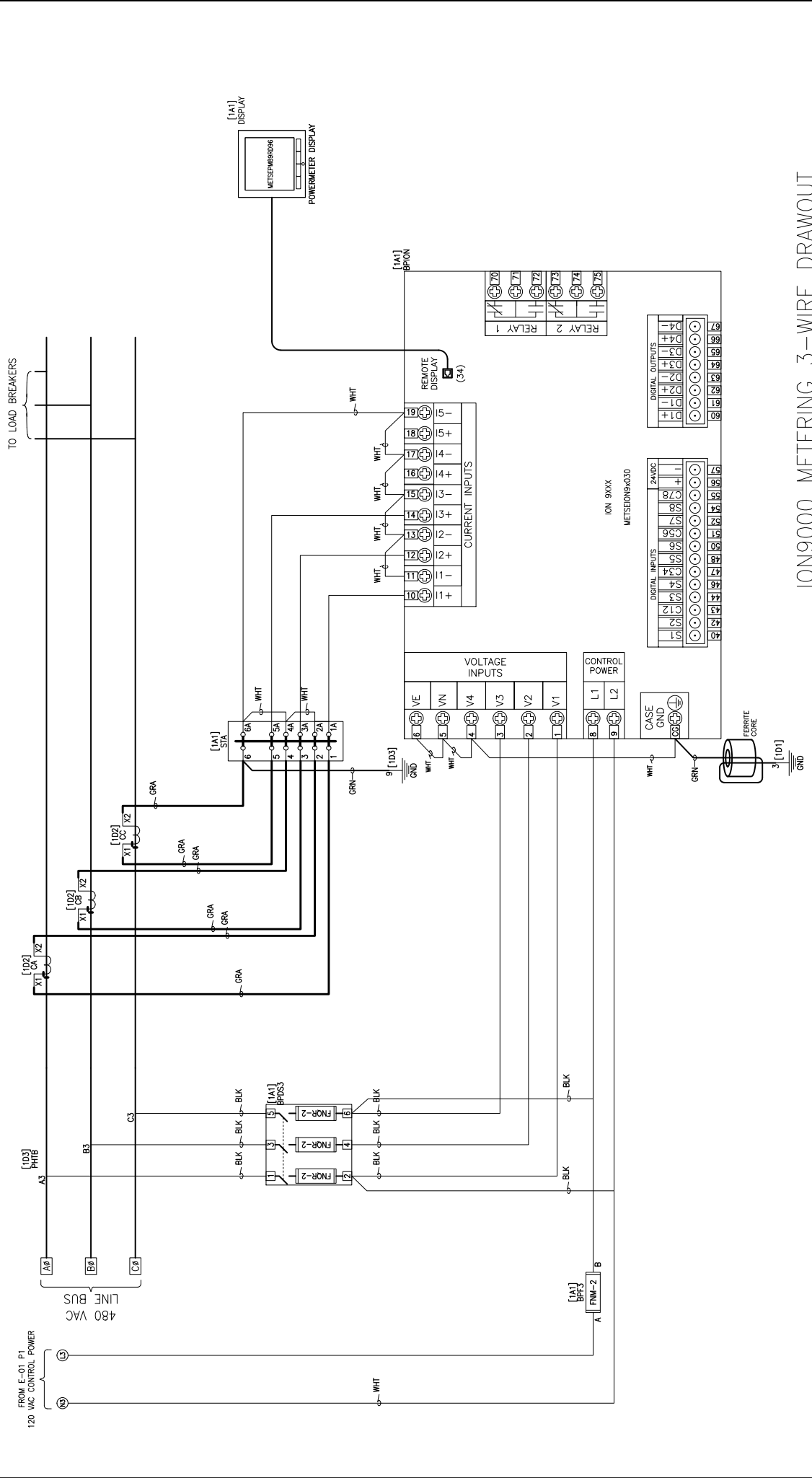
TRIP UNIT AUX POWER

JOB NAME:	QED-2 - COPIED FROM Q-2156313	EQUIPMENT DESIGNATION:	SUB 1 INDOOR DIST.
JOB LOCATION:	RIVERSIDE PA	EQUIPMENT TYPE:	QED-2 SWITCHBOARD
DRAWN BY:	KELLY STROHECKER	DRAWING TYPE:	ELEMENTARY DIAGRAM
ENGR:	SKS		
DATE:	JANUARY 22, 2021		
DRAWING STATUS:	APPROVAL	DWG#	E43508043-002-02

- NOTES:
- USE #16 AWG RED UNLESS OTHERWISE NOTED.



REV	DESCRIPTION	BY	DATE



JOB NAME:	QED-2 - COPIED FROM Q-2156313
JOB LOCATION:	RIVERSIDE PA
DRAWN BY:	KELLY STROHECKER
ENGR:	SJS
DATE:	JANUARY 22, 2021
DRAWING STATUS:	APPROVAL
EQUIPMENT DESIGNATION:	SUB 1 INDOOR DIST.
EQUIPMENT TYPE:	QED-2 SWITCHBOARD
DRAWING TYPE:	ELEMENTARY DIAGRAM
DWG#	E43508043-002-03
Pg	1 of 1
REV	—

- NOTES:
1. ALL CONTROL FUSES MOUNTED IN FUSED PULLOUTS.
 2. USE #14 AWG RED WIRE UNLESS OTHERWISE NOTED.
 3. GROUNDED TERMINAL OF THE SHORTING BLOCK TO BE A PAN HEAD SCREW.

REV	DESCRIPTION	BY	DATE



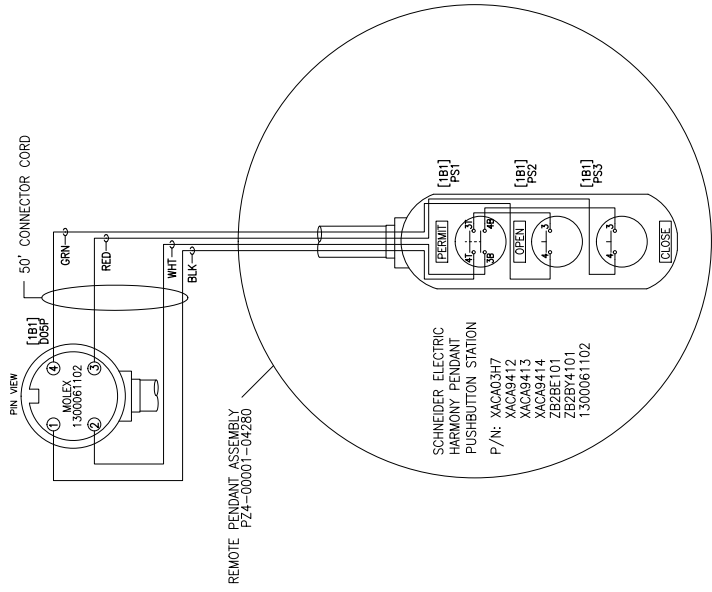
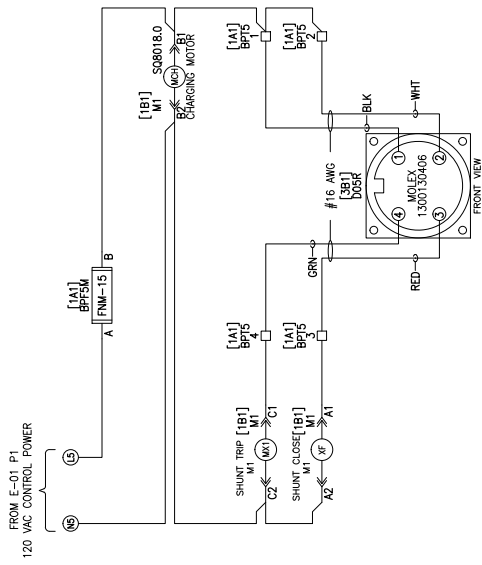
ERMS

JOB NAME:	QED-2 - COPIED FROM Q-2156313	EQUIPMENT DESIGNATION:	SUB 1 INDOOR DIST.
JOB LOCATION:	RIVERSIDE PA	EQUIPMENT TYPE:	QED-2 SWITCHBOARD
DRAWN BY:	KELLY STROHECKER	DRAWING TYPE:	ELEMENTARY DIAGRAM
ENGR:	SKS		
DATE:	JANUARY 22, 2021		
DRAWING STATUS:	APPROVAL	DWG#	E-43508043-002-04



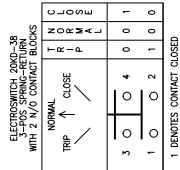
Notes:
 1. ALL WIRING TO BE RED #16 AWG UNLESS OTHERWISE NOTED.

REV	DESCRIPTION	BY	DATE



SCHNEIDER ELECTRIC
HARMONY PENDANT
PUSHBUTTON STATION
P/N: XACA03H7
XACA9412
XACA9413
XACA9414
ZB2BE101
ZB2BY4101
1300061102

REMOTE PENDANT ASSEMBLY
PZ4-00001-04280

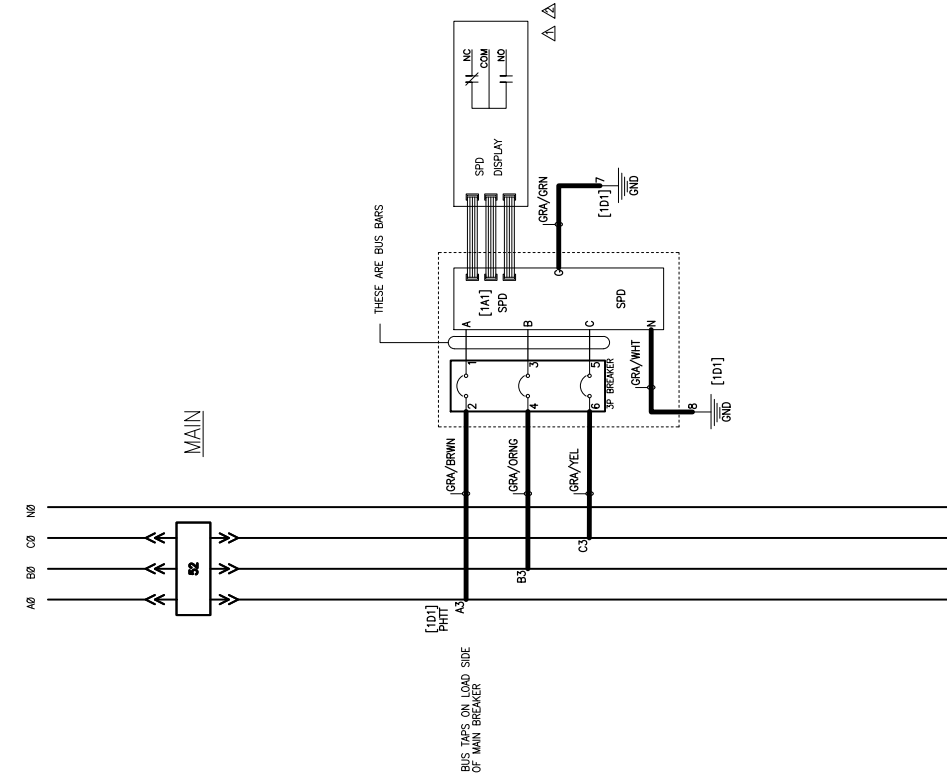


- NOTES:
1. ALL WIRING TO BE TYPE "SIS" (UL LISTED)
 2. ALL CONTROL FUSES MOUNTED IN FUSED PULLOUTS.
 3. USE #14 AWG WIRE UNLESS OTHERWISE NOTED.

BREAKER REMOTE CONTROL

JOB NAME:	QED-2 - COPIED FROM Q-2156313	EQUIPMENT DESIGNATION:	SUB 1 INDOOR DIST.
JOB LOCATION:	RIVERSIDE PA	EQUIPMENT TYPE:	QED-2 SWITCHBOARD
DRAWN BY:	KELLY STROHECKER	DRAWING TYPE:	ELEMENTARY DIAGRAM
ENGR:	SJS		
DATE:	JANUARY 22, 2021		
DRAWING STATUS:	APPROVAL	DWG#	E43508043-002-05
		PG	1 OF 1
		REV	-

REV	DESCRIPTION	BY	DATE



- NOTES:
1. ALL WIRING TO BE TYPE #6 AWG SIS (UL LISTED) WIRE UNLESS OTHERWISE NOTED.
 2. DISPLAY FORM C DRY CONTACTS ARE RATED @ 24VDC/AC, 1/2 A/1P'S.
 3. CABLES MUST BE AS SHORT AS POSSIBLE (AS POSSIBLE TO THIS UNIT SHALL NOT EXCEED 6 FEET. MAXIMUM NUMBER OF BENDS SHALL NOT EXCEED 4. MINIMUM RADIUS SHALL BE 3 INCHES. CABLES MUST BE SECURELY FASTENED THROUGHOUT THEIR LENGTH.
 4. FOR EQUIPMENT BUILT TO ANSI C37.20.1 OR CSA C22.2 NO. 31-M89, SINGLE CONDUCTOR CABLE MAY BE TYPE SIS AND COLOR CODES MAY BE DISREGARDED FOR SINGLE CONDUCTORS.
 5. PATCH CABLES MUST BE PROTECTED WHERE THEY CROSS THE HINGE SIDE DOOR FLANGE FROM DISPLAY TO INSTRUMENT COMPARTMENT. PATCH CABLES MUST BE KEPT SEPARATED FROM POWER WIRING.

SPD Wiring Elementary

JOB NAME:	QED-2 - COPIED FROM 0-2156313	EQUIPMENT DESIGNATION:	SUB 1 INDOOR DIST.
JOB LOCATION:	RIVERSIDE PA	EQUIPMENT TYPE:	QED-2 SWITCHBOARD
DRAWN BY:	KELLY STROHECKER	DRAWING TYPE:	ELEMENTARY DIAGRAM
ENGR:	SKS		
DATE:	JANUARY 22, 2021		
DRAWING STATUS:	APPROVAL		
DWG#	E43508043-002-08		



Schneider Electric



by Schneider Electric

Job Name: Model 6 MCC – Copied from Q-215631
Job Location: RIVERSIDE, PA

Square D Quotation #: 43510193
Quotation Revision #:
Sales Contact: CPQ
Sales Contact Location: 165

Purchaser: SCHNEIDER ELECTRIC USA INC
Purchaser PO #: T16-1300

Customer: SCHNEIDER ELECTRIC FIELD SERVICES
Customer PO #:

User: SCHNEIDER ELECTRIC FIELD SERVICES
User Location:

Architect: E ADV DEFAULT CUSTOMER
Cons. Engineer:

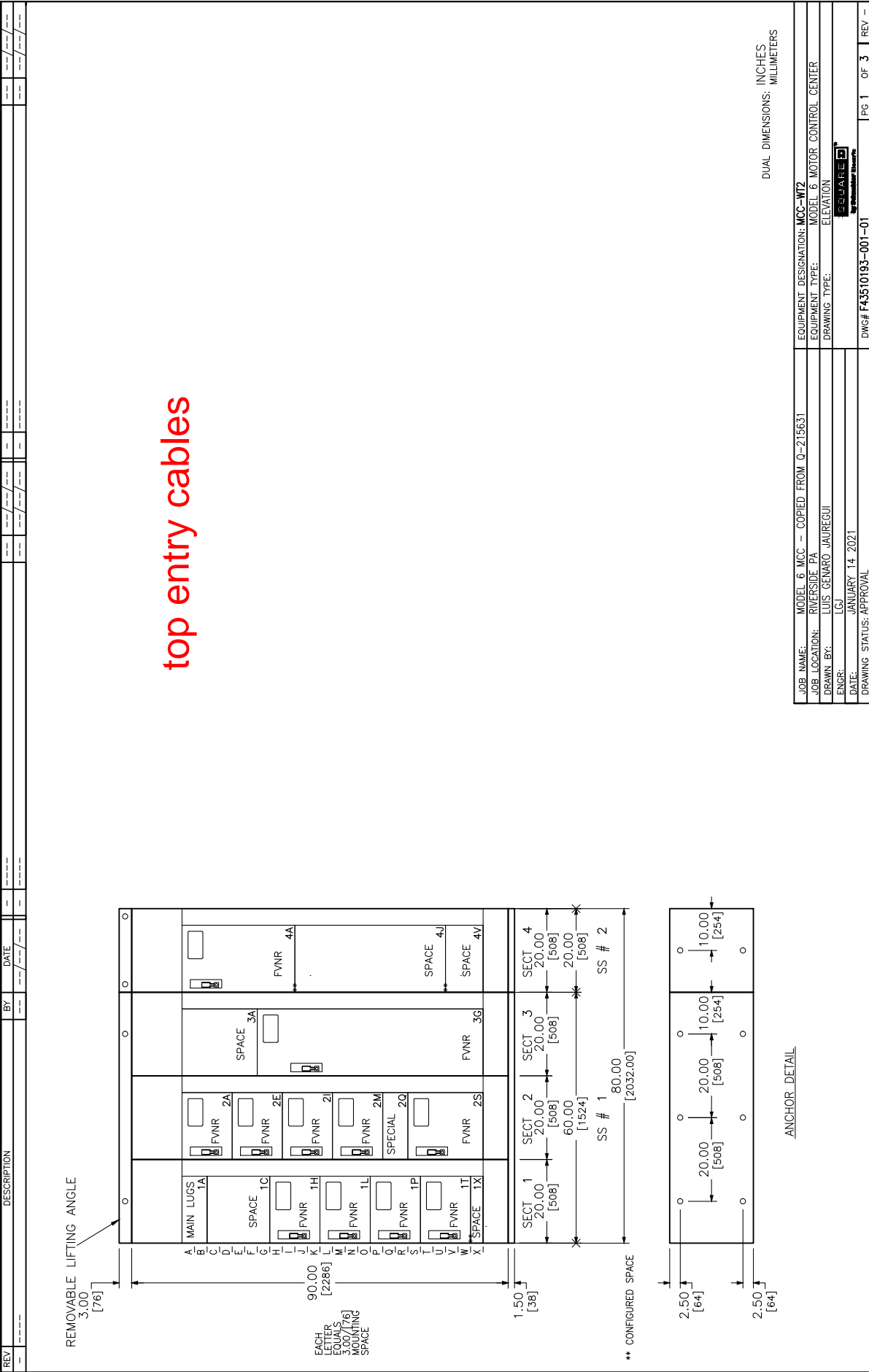
Drawing Status: APPROVAL

TABLE OF CONTENTS

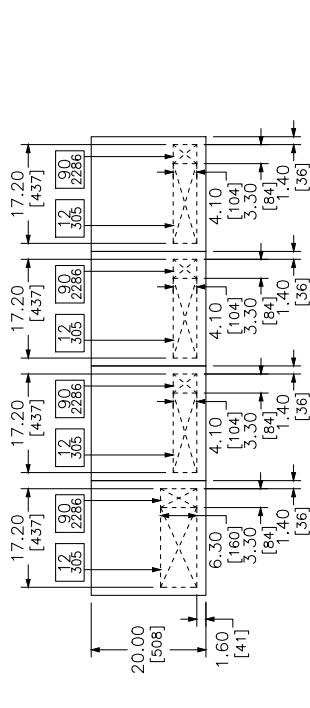
SQUARE D FACTORY ORDER NUMBER: 43510193-001

<u>Equipment Designation</u>	<u>Equipment Type</u>	<u>Drawing Type</u>	<u>Drawing Number</u>	<u>Page</u>	<u>Revision Level</u>
MCC-WT2	MODEL 6 MCC	ELEVATION	F43510193-001-01	1	-
			F43510193-001-01	2	-
			F43510193-001-01	3	-
		ONE LINE DIAGRAM	O43510193-001-01	1	-
			UNIT INFORMATION	I43510193-001-01	1
		I43510193-001-01		2	-
		ELEMENTARY	E43510193-001-01	1	-
			E43510193-001-02	1	-
			E43510193-001-03	1	-
			E43510193-001-04	1	-
			E43510193-001-05	1	-
			E43510193-001-06	1	-
			E43510193-001-07	1	-

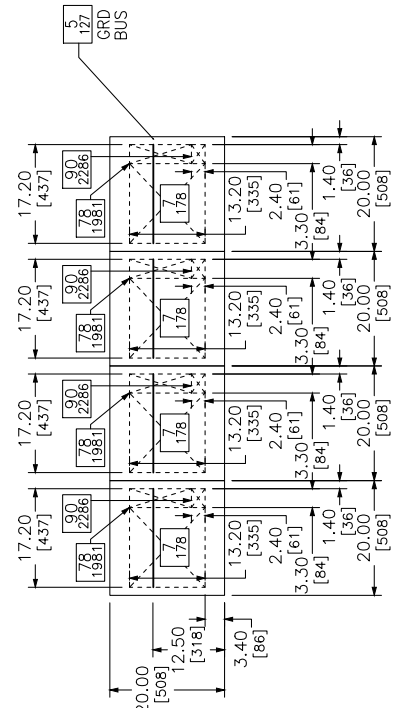
top entry cables



REV	DESCRIPTION	BY	DATE	---	---	---	---



TOP VIEW

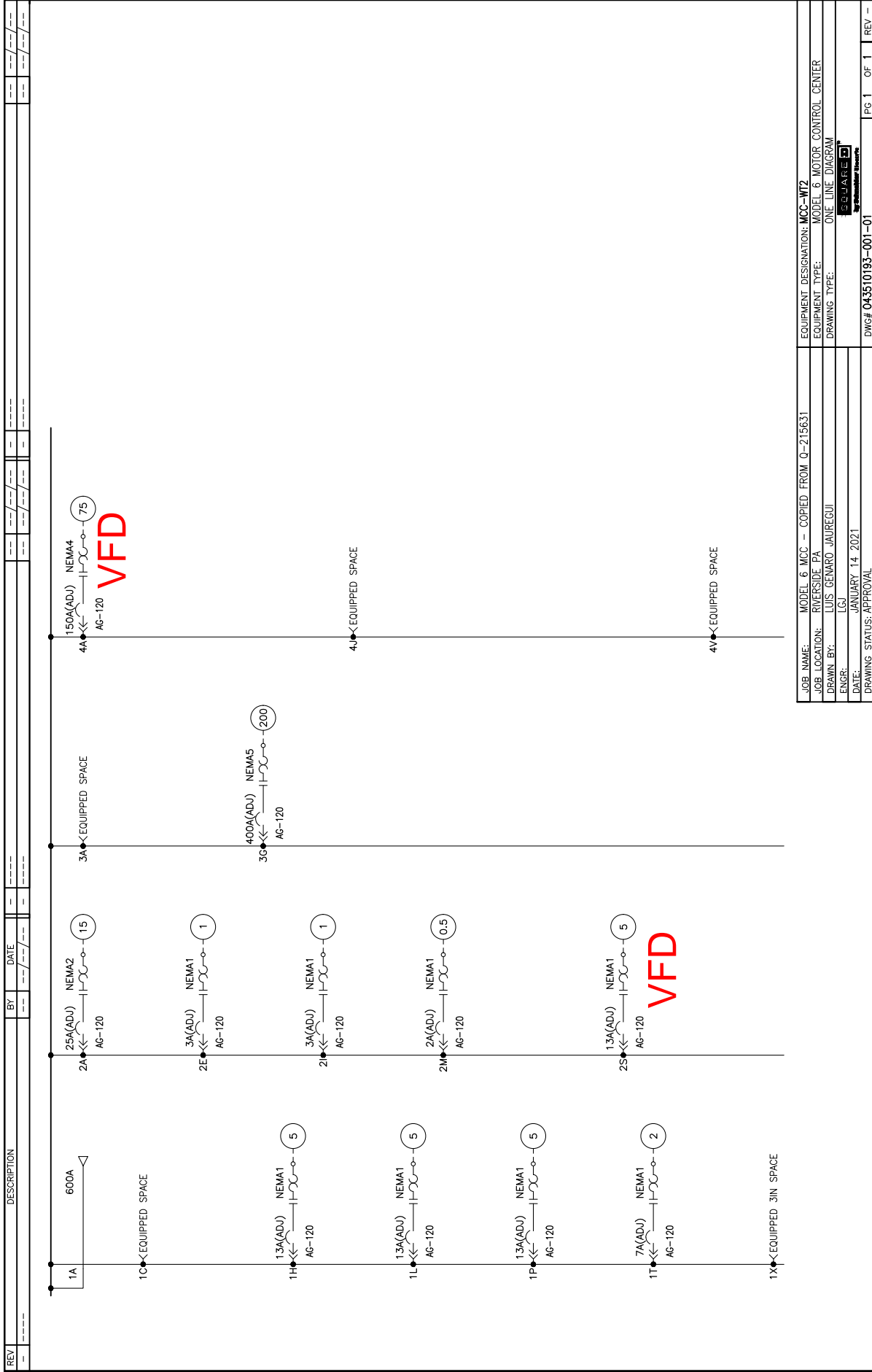


FLOOR VIEW

CROSSED AREA REPRESENTS CONDUIT ENTRY AREA. NUMBERS IN BOXES INDICATE VERTICAL CLEARANCE TO NEAREST OBSTRUCTION.

DUAL DIMENSIONS: INCHES MILLIMETERS

JOB NAME:	MODEL 6 MCC - COPIED FROM Q-215631	EQUIPMENT DESIGNATION:	MCC-WP2
JOB LOCATION:	RIVERSIDE PA	EQUIPMENT TYPE:	MODEL 6 MOTOR CONTROL CENTER
DRAWN BY:	LUIS GENARO JAUREGUI	DRAWING TYPE:	ELEVATION
ENGR:	LGJ	DATE:	JANUARY 14, 2021
DRAWING STATUS:	APPROVAL	DWG#	F43510193-001-01
			FIG. 2 OF 3
			REV -

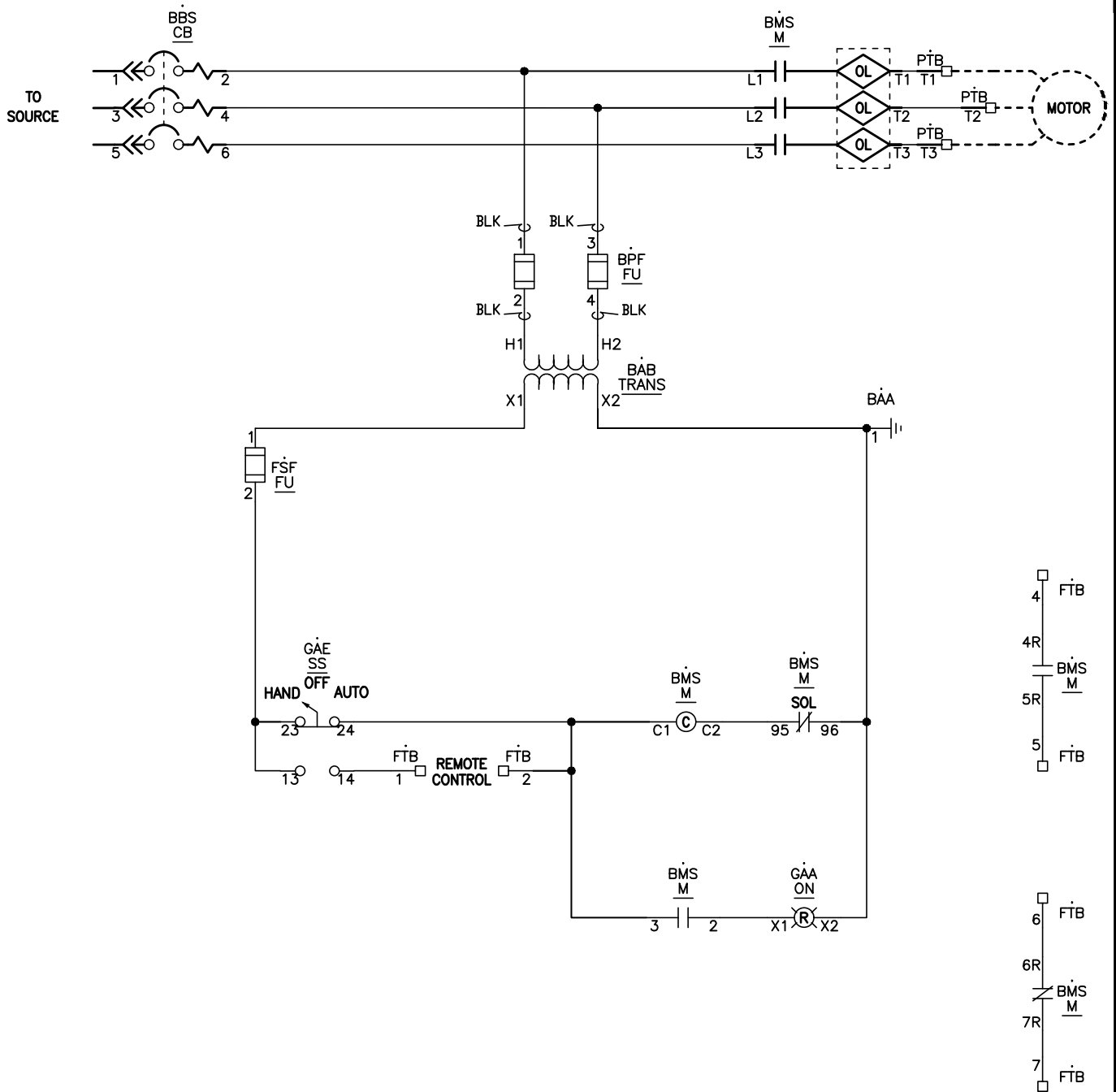



JOB NAME:	MODEL 6 MCC - COPIED FROM Q-215631	EQUIPMENT DESIGNATION:	MCC-WT2
JOB LOCATION:	RIVERSIDE PA	EQUIPMENT TYPE:	MODEL 6 MOTOR CONTROL CENTER
DRAWN BY:	LUIS GENARO JAUREGUI	DRAWING TYPE:	ONE LINE DIAGRAM
ENGR:	LGJ	DATE:	JANUARY 14, 2021
DRAWING STATUS:	APPROVAL	DWG#:	043510193-001-01
		REV:	OF 1

REV	DESCRIPTION	BY	DATE	REV	DESCRIPTION	BY	DATE	REV	DESCRIPTION	BY	DATE		
UNIT LOC	UNIT NAME/PLATES (GRAY SURFACE/WHITE LETTERS)	UNIT TYPE	SIZE	HP	FRAME TRIP AMPS/AMPS	CONTROL SOURCE	VA	FUSE SIZE PRI SEC	INTERLOCKS NO NC ON LIGHT/OFF LIGHT	ADD P/L	SS / PB	OTHER UNIT FEATURES	ELEMENTARY #
1A		MAIN LUGS										3/0-500KCMIL 2 LUGS/PH, AL MECH LUG AL/CU CABLE	
1C		SPACE											
1H	VFD	FWR	NEMA 1	5 B4 115	ADJ 13	CONTROL TRANSFORMER	50	.25 .50	1 1	RED	HOA SS	#16 AWG SIS SUITABLE CONTROL WIRE, CLASS 10/20 O/L (SELECTABLE), FISHTAPE UNIT PLUGS, MOTOR CIRCUIT PROTECTOR, MOTOR LOGIC O/L SIZE 00C, POWER TERM BLOCKS	E43510193-001-01
1L	AHU-1	FWR	NEMA 1	5 B4 115	ADJ 13	CONTROL TRANSFORMER	50	.25 .50	1 1	RED	HOA SS	#16 AWG SIS SUITABLE CONTROL WIRE, CLASS 10/20 O/L (SELECTABLE), FISHTAPE UNIT PLUGS, MOTOR CIRCUIT PROTECTOR, MOTOR LOGIC O/L SIZE 00C, POWER TERM BLOCKS	E43510193-001-01
1P	SPARE	FWR	NEMA 1	5 B4 115	ADJ 13	CONTROL TRANSFORMER	50	.25 .50	1 1	RED	HOA SS	#16 AWG SIS SUITABLE CONTROL WIRE, CLASS 10/20 O/L (SELECTABLE), FISHTAPE UNIT PLUGS, MOTOR CIRCUIT PROTECTOR, MOTOR LOGIC O/L SIZE 00C, POWER TERM BLOCKS	E43510193-001-01
1T	EF-5	FWR	NEMA 1	2 B4 115	ADJ 7	CONTROL TRANSFORMER	50	.25 .50	1 1	RED	HOA SS	#16 AWG SIS SUITABLE CONTROL WIRE, CLASS 10/20 O/L (SELECTABLE), FISHTAPE UNIT PLUGS, MOTOR CIRCUIT PROTECTOR, MOTOR LOGIC O/L SIZE 00B, POWER TERM BLOCKS	E43510193-001-02
1X		SPACE											
2A	PU-158	FWR	NEMA 2	15 B4 115	ADJ 25	CONTROL TRANSFORMER	100	.50 1.00	1 1	RED	HOA SS	#16 AWG SIS SUITABLE CONTROL WIRE, CLASS 10/20 O/L (SELECTABLE), FISHTAPE UNIT PLUGS, MOTOR CIRCUIT PROTECTOR, MOTOR LOGIC O/L NEMA SIZE 2, POWER TERM BLOCKS	E43510193-001-03
2E	EF-MCC	FWR	NEMA 1	1 B4 115	ADJ 3.5	CONTROL TRANSFORMER	50	.25 .50	1 1	RED	HOA SS	#16 AWG SIS SUITABLE CONTROL WIRE, CLASS 10/20 O/L (SELECTABLE), FISHTAPE UNIT PLUGS, MOTOR CIRCUIT PROTECTOR, MOTOR LOGIC O/L SIZE 00B, POWER TERM BLOCKS	E43510193-001-02
2I	EXT FAN 1	FWR	NEMA 1	1 B4 115	ADJ 3.5	CONTROL TRANSFORMER	50	.25 .50	1 1	RED	HOA SS	#16 AWG SIS SUITABLE CONTROL WIRE, CLASS 10/20 O/L (SELECTABLE), FISHTAPE UNIT PLUGS, MOTOR CIRCUIT PROTECTOR, MOTOR LOGIC O/L SIZE 00B, POWER TERM BLOCKS	E43510193-001-02
2M	AG-191	FWR	NEMA 1	0.5 B4 115	ADJ 2	CONTROL TRANSFORMER	50	.25 .50	1 1	RED	HOA SS	#16 AWG SIS SUITABLE CONTROL WIRE, CLASS 10/20 O/L (SELECTABLE), FISHTAPE UNIT PLUGS, MOTOR CIRCUIT PROTECTOR, MOTOR LOGIC O/L SIZE 00B W/3 PASSES, POWER TERM BLOCKS FISHTAPE UNIT PLUGS, SPL	E43510193-001-04
2Q	PM5563 meter for 200hp VFD	SPECIAL UNIT											
UNIT LOC	UNIT NAME/PLATES	UNIT TYPE	SIZE	HP	FRAME TRIP AMPS/AMPS	CONTROL SOURCE	VA	FUSE SIZE PRI SEC	INTERLOCKS NO NC ON LIGHT/OFF LIGHT	ADD P/L	SS / PB	OTHER UNIT FEATURES	ELEMENTARY #
JOB NAME: MODEL 6 MCC - COPIED FROM Q-215631 EQUIPMENT TYPE: MODEL 6 MOTOR CONTROL CENTER JOB LOCATION: RIVERSIDE PA DRAWN BY: LUIS GENARO JAUREGUI ENGR: LGJ DATE: JANUARY 14, 2021 DRAWING STATUS: APPROVAL													
DWS# 143510193-001-01 REV - 2 OF - 2 REV -													

REV	DESCRIPTION	BY	DATE				
-	-	-	-	-	-	-	-

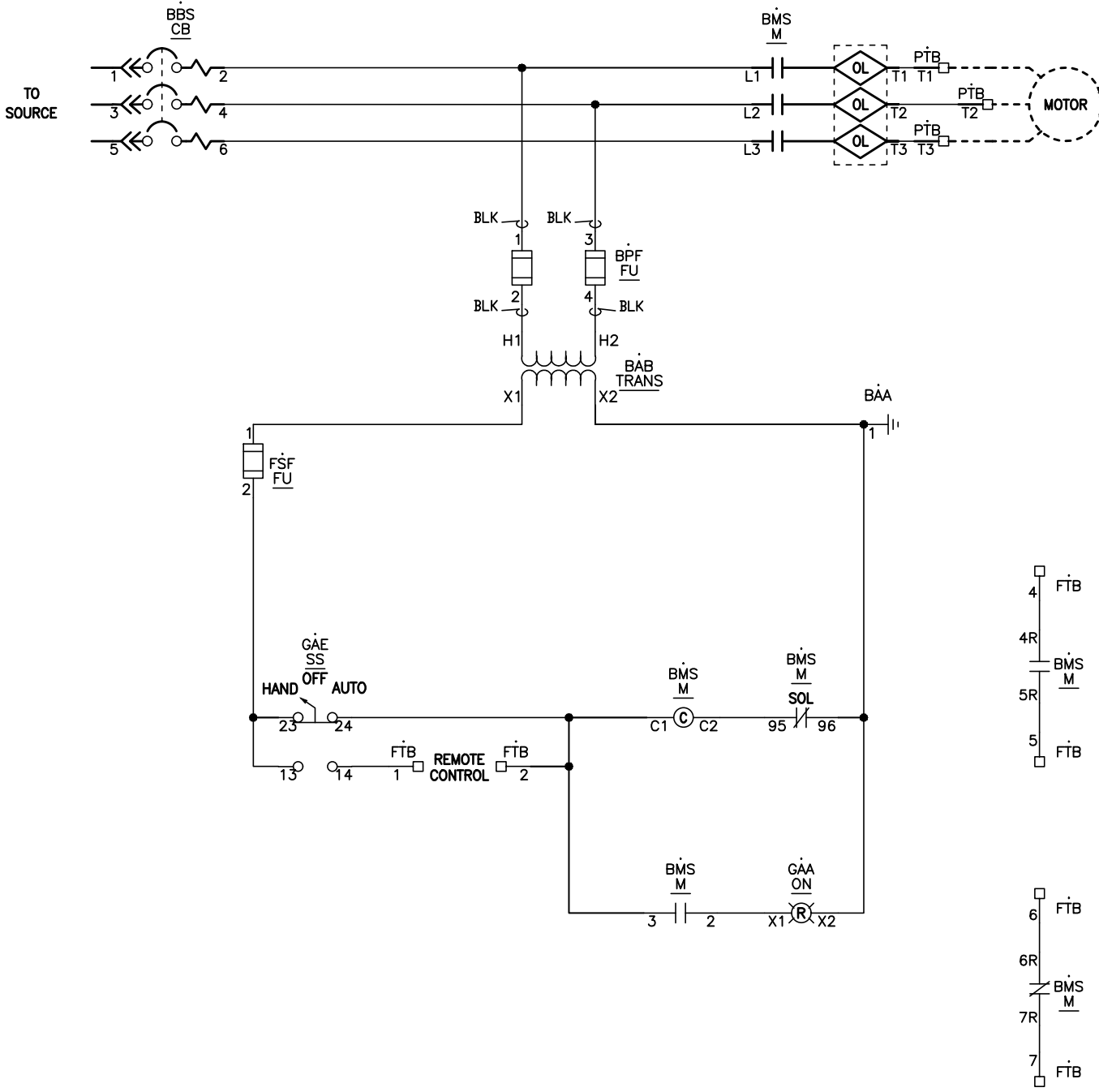
16S




JOB NAME:	MODEL 6 MCC - COPIED FROM Q-215631	EQUIPMENT DESIGNATION:	MCC-WT2
JOB LOCATION:	RIVERSIDE PA	EQUIPMENT TYPE:	MODEL 6 MOTOR CONTROL CENTER
DRAWN BY:	LUIS GENARO JAUREGUI	DRAWING TYPE:	ELEMENTARY
ENGR:	LGJ	 <small>by Schneider Electric</small>	
DATE:	JANUARY 14 2021		
DRAWING STATUS:	APPROVAL	DWG#	E43510193-001-01
		PG 1	OF 1
		REV -	

REV	DESCRIPTION	BY	DATE				
-	-	-	-	-	-	-	-

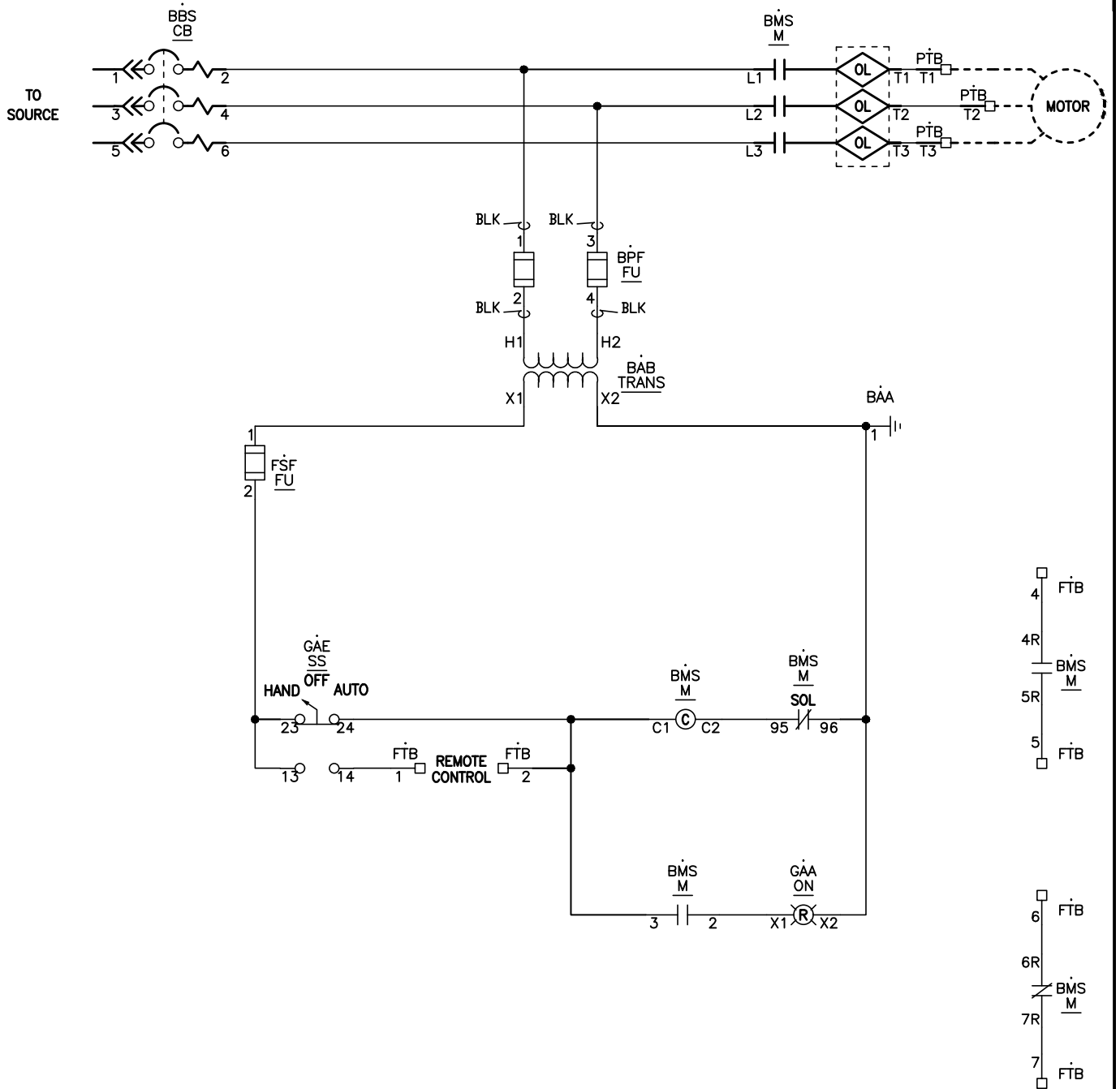
16S




JOB NAME:	MODEL 6 MCC - COPIED FROM Q-215631	EQUIPMENT DESIGNATION:	MCC-WT2
JOB LOCATION:	RIVERSIDE PA	EQUIPMENT TYPE:	MODEL 6 MOTOR CONTROL CENTER
DRAWN BY:	LUIS GENARO JAUREGUI	DRAWING TYPE:	ELEMENTARY
ENGR:	LGJ	 <small>by Schneider Electric</small>	
DATE:	JANUARY 14 2021		
DRAWING STATUS:	APPROVAL	DWG#	E43510193-001-02
		PG 1	OF 1
		REV -	

REV	DESCRIPTION	BY	DATE				
-	-	-	-	-	-	-	-

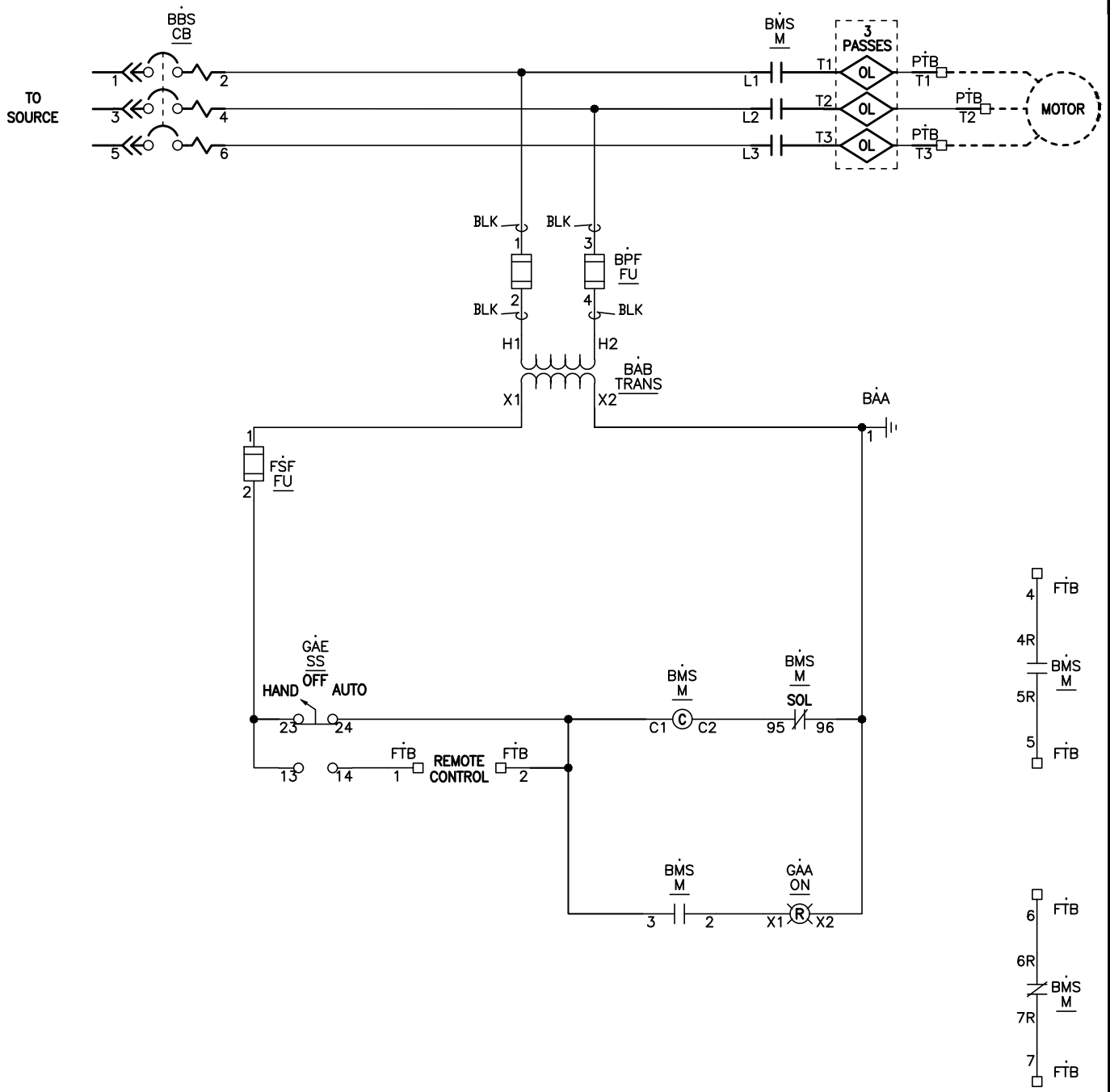
16S



JOB NAME:	MODEL 6 MCC - COPIED FROM Q-215631	EQUIPMENT DESIGNATION:	MCC-WT2
JOB LOCATION:	RIVERSIDE PA	EQUIPMENT TYPE:	MODEL 6 MOTOR CONTROL CENTER
DRAWN BY:	LUIS GENARO JAUREGUI	DRAWING TYPE:	ELEMENTARY
ENGR:	LGJ	 <small>by Schneider Electric</small>	
DATE:	JANUARY 14 2021		
DRAWING STATUS:	APPROVAL	DWG#	E43510193-001-03
		PG 1	OF 1
		REV -	

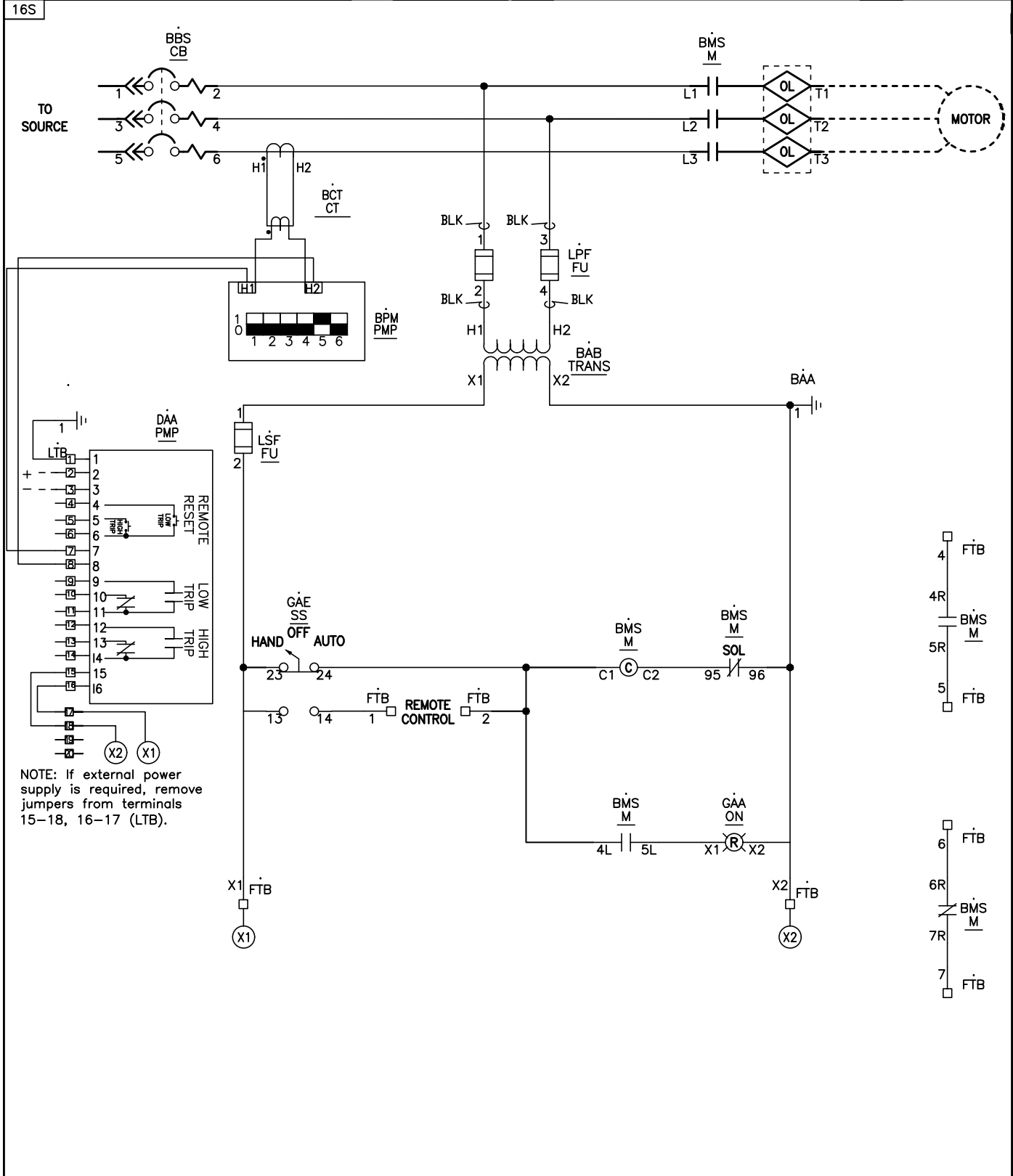
REV	DESCRIPTION	BY	DATE				
-	-	-	-	-	-	-	-

16S



JOB NAME:	MODEL 6 MCC - COPIED FROM Q-215631	EQUIPMENT DESIGNATION:	MCC-WT2
JOB LOCATION:	RIVERSIDE PA	EQUIPMENT TYPE:	MODEL 6 MOTOR CONTROL CENTER
DRAWN BY:	LUIS GENARO JAUREGUI	DRAWING TYPE:	ELEMENTARY
ENGR:	LGJ	SQUARE D by Schneider Electric	
DATE:	JANUARY 14 2021	DWG#	E43510193-001-04
DRAWING STATUS:	APPROVAL	PG 1	OF 1
		REV -	

REV	DESCRIPTION	BY	DATE				
16S							



JOB NAME:	MODEL 6 MCC - COPIED FROM Q-215631	EQUIPMENT DESIGNATION:	MCC-WT2
JOB LOCATION:	RIVERSIDE PA	EQUIPMENT TYPE:	MODEL 6 MOTOR CONTROL CENTER
DRAWN BY:	LUIS GENARO JAUREGUI	DRAWING TYPE:	ELEMENTARY
ENGR:	LGJ	SQUARE D by Schneider Electric	
DATE:	JANUARY 14 2021	DWG#	E43510193-001-06
DRAWING STATUS:	APPROVAL	PG 1	OF 1
		REV	-



SQUARE D
Schneider Electric

JOB NAME: Transformer - Copied from Q-215631

JOB LOCATION: Riverside, PA

PURCHASER: SCHNEIDER ELECTRIC USA INC

PURCHASER PO #: T16-1300249823

USER: Transformer - Copied from Q-215631

USER LOCATION: Riverside, PA

DRAWING STATUS: APPROVAL

SQUARE D QUOTATION NUMBER: 43508042-001

QUOTATION REVISION #:

SALES CONTACT: LEWIS MARTIN

SALES CONTACT LOCATION: NEW JERSEY

CUSTOMER: SCHNEIDER ELECTRIC

CUSTOMER PO #: 43508042-001

ARCHITECT:

CONS. ENGINEER:

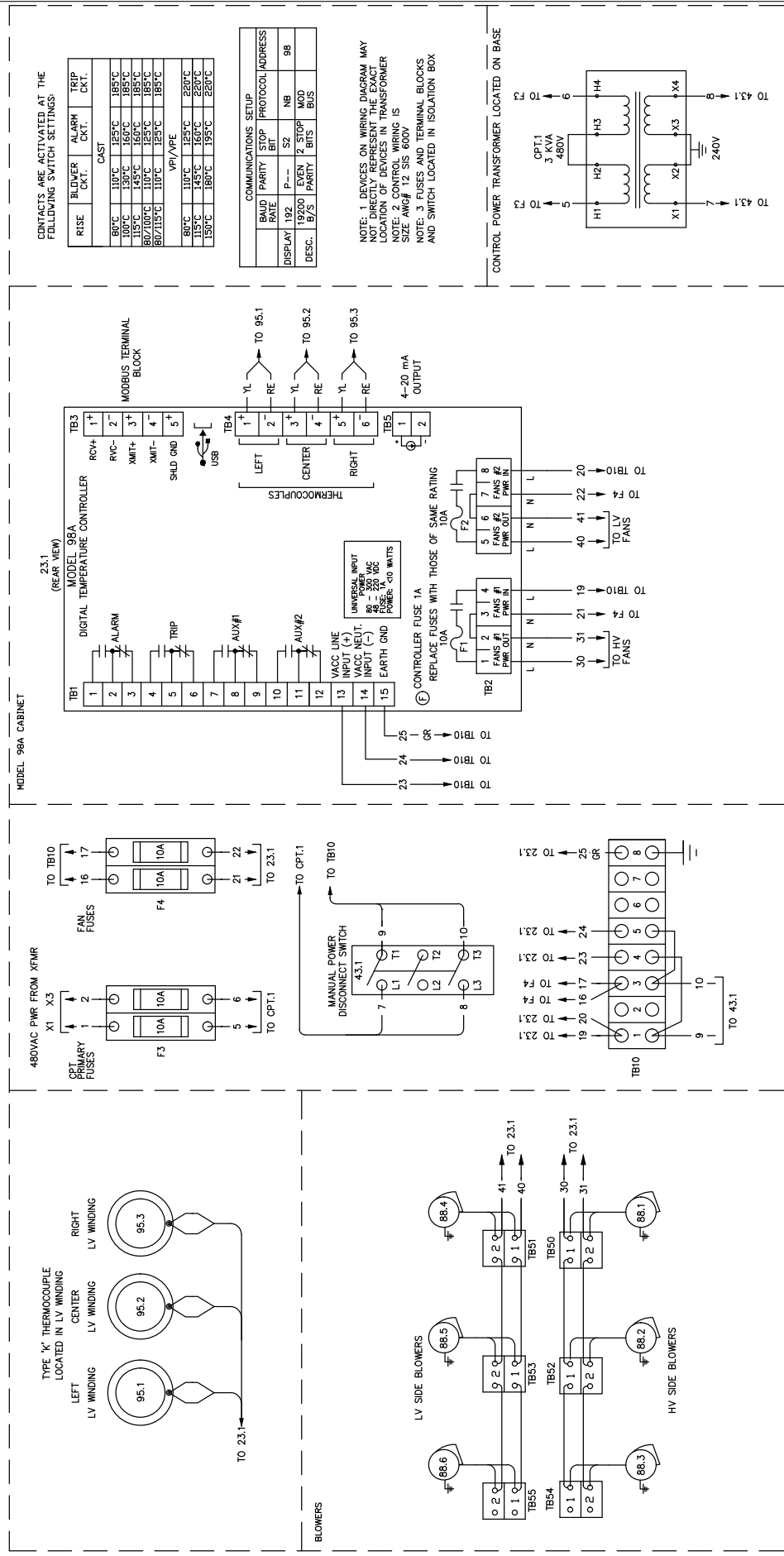
TABLE OF CONTENTS

SQUARE D FACTORY ORDER NUMBER: 43508042-001

EQUIPMENT DESIGNATION:	EQUIPMENT TYPE:	DRAWING TYPE:	DRAWING NUMBER:	PAGE:	REVISION LEVEL:
POWER CAST II		FLOOR PLAN AND NOTES	F43508042-001-01-1	1	-
		RATING NAMEPLATE	N43508042-001-01-1	1	-
		WIRING DIAGRAM	W43508042-001-01-1	1	-
		WIRING DIAGRAM	-NA-	2	-
		WIRING DIAGRAM	-NA-	3	-
		WIRING DIAGRAM	-NA-	4	-
		WIRING DIAGRAM	-NA-	5	-
		WIRING DIAGRAM	-NA-	6	-
		WIRING DIAGRAM	-NA-	7	-
		WIRING DIAGRAM	-NA-	8	-

REV: -

REV	DESCRIPTION	BY	DATE




JOB NAME:	Transformer - Copied from Q-215631
JOB LOCATION:	Riverside, PA
DRAWN BY:	JASL
ENGR:	JOKE
DATE:	2/19/2021
DRAWING STATUS:	APPROVAL
DWG#	W4.3508042-001-01-1
PG	OF
REV	-



REV	DESCRIPTION	BY	DATE						
-----	-------------	----	------	--	--	--	--	--	--

NAMEPLATE MATERIAL = 0.031 ALUMINUM
43508042-001-01/TX15599




POWER CAST II™ SER.NO.

CAST COIL DRY TYPE TRANSFORMER

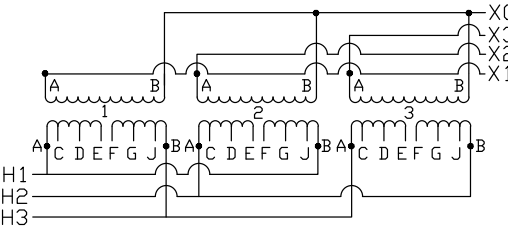
DRY TYPE TRANSFORMER

SECONDARY UNIT SUBSTATION



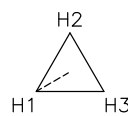
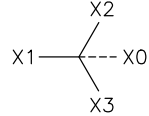
KVA: 1000/1500 HV: 4160 kV BIL: 60HV/30LV LV: 480Y/277 LV AMP: 1203/1804 AVG./MAX.AMB: 30/40°C	CLASS: AA/FA TYPE: CAST/CAST PHASE: 3 IMP: HZ: 60 DATE —	TEMP. RISE: 80/80°C NEMA 3R ENCLOSURE EXPOSURE CATEGORY C INST. BOOK 43500-054-01R3 JOB NO..	CONDUCTOR: CU/CU APROX.WT:(LBS/kg) C&C: 7900/3584 TOTAL: 10300/4673
---	---	--	--

Manufactured in Bland, Va.



DE-ENERGIZE
TRANSFORMER
BEFORE
CHANGING TAPS


VOLTS	HV AMPERES		CONN TAP EACH COIL
	AA	FA	
4368	132	198	E-F
4264	135	203	D-F
4160	139	208	D-G
4056	142	214	C-G
3952	146	219	C-J

NOTES:

CUSTOMER NOTE: NAMEPLATE DRAWING IS FOR YOUR INFORMATION AND REVIEW. THE IMPEDANCE IS LEFT BLANK SINCE THE DRAWING IS SUBMITTED PRIOR TO MANUFACTURING. THE ACTUAL TESTED VALUE IS ENGRAVED ON THE METAL NAMEPLATE AT THE TIME OF SHIPMENT. THIS DRAWING IS NOT SUBSEQUENTLY REVISED TO ADD THE TESTED VALUE.

DUAL DIMENSIONS: INCHES
MILLIMETERS

JOB NAME: Transformer - Copied from Q-215631	EQUIPMENT DESIGNATION: SUBSTATION I
JOB LOCATION: Riverside, PA	EQUIPMENT TYPE: POWER CAST II
DRAWN BY: JASL	DRAWING TYPE: RATING NAMEPLATE
ENGR: JOKE	
DATE: 2/19/2021	
DRAWING STATUS: APPROVAL	DWG# N43508042-001-01-1 PG OF REV -