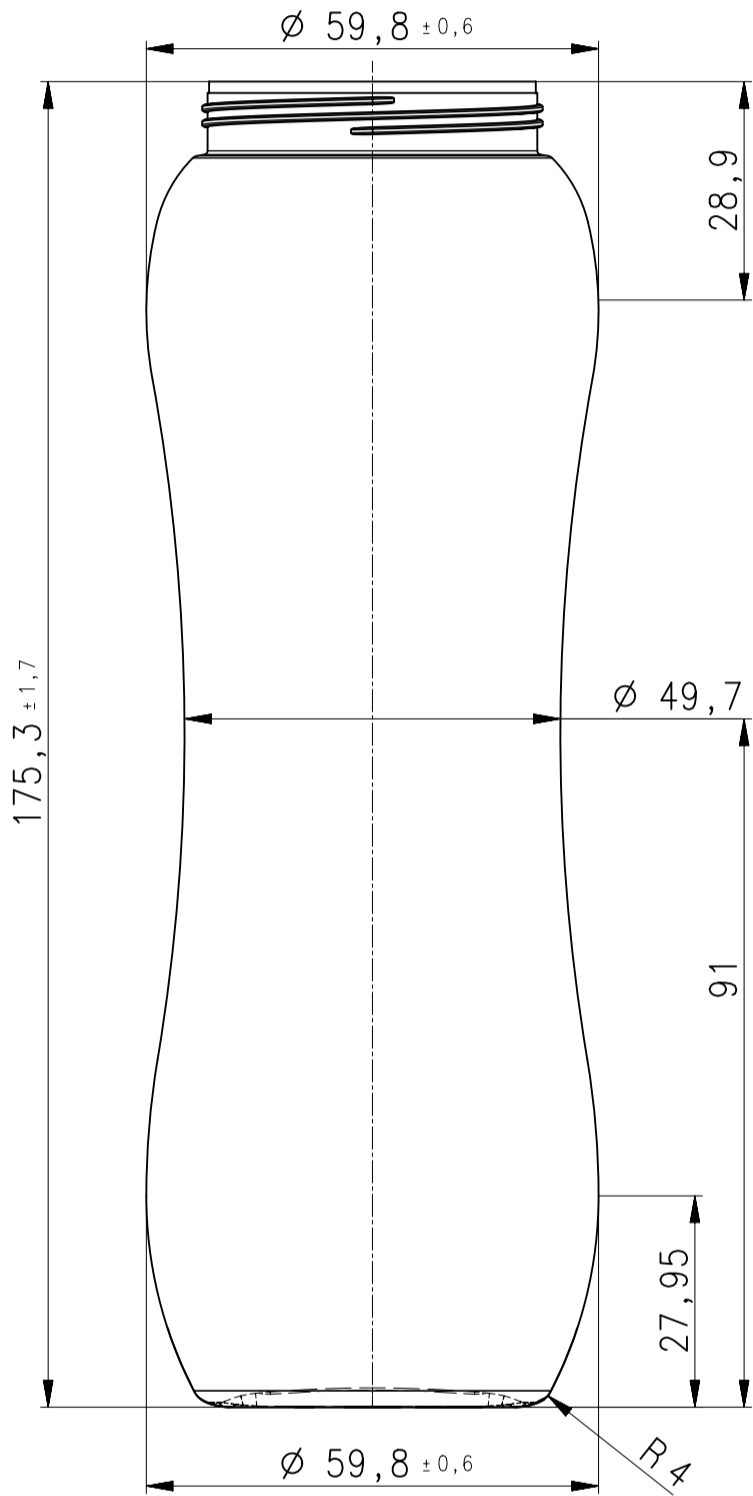
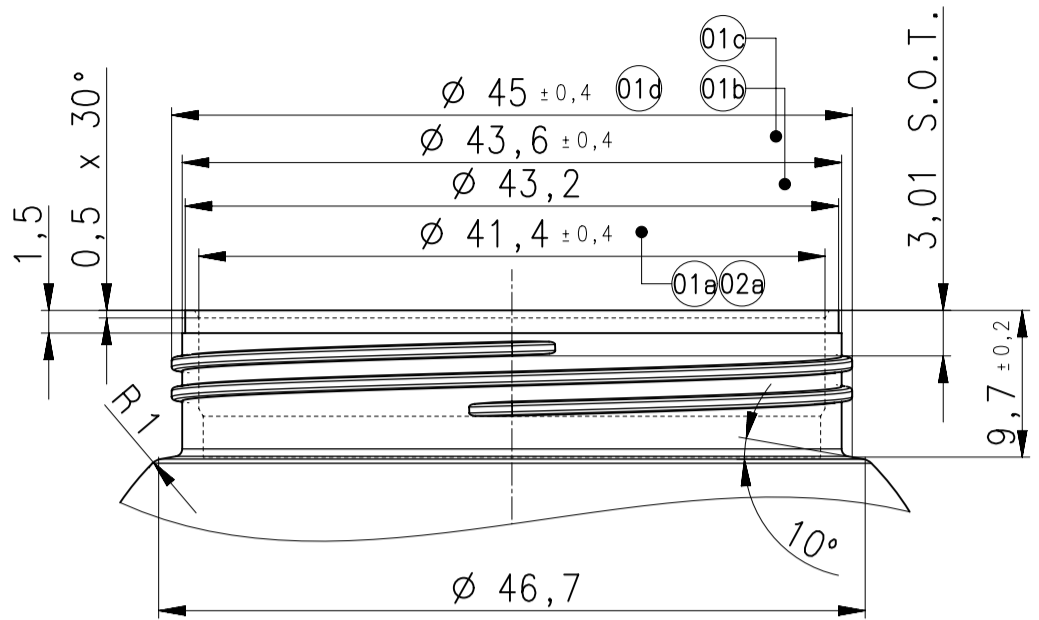
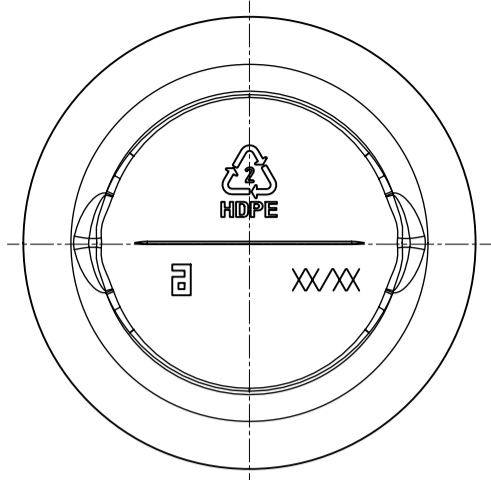


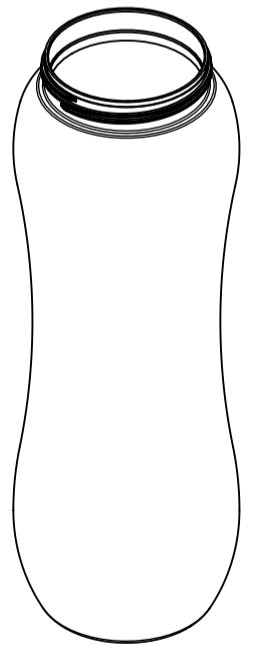
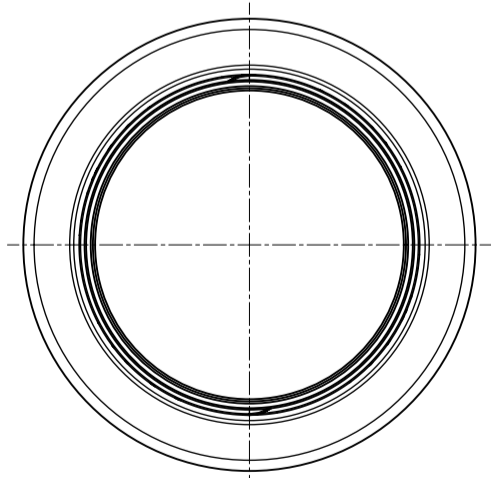
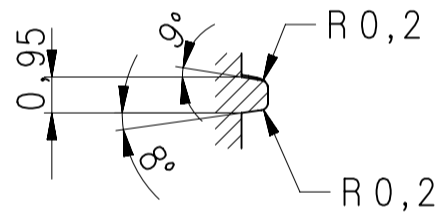
NECK DETAIL :

SCALE 2:1



THREAD DETAIL :

SCALE 5:1  
 PITCH: 3.96mm  
 TURNS: 1  
 2 START THREAD



MATERIAL : HDPE  
 WEIGHT : 25 ± 1g  
 VOLUME : 372 ± 5ml BRIMFULL

02a	Was $\varnothing 41.8 \pm 0.4$	SJ	16.Dec.14	-	-	-	-
01c	Was $\varnothing 43.65 \pm 0.25$	SJ	5.Dec.14	01d	Was $\varnothing 44.97 \pm 0.25$	SJ	5.Dec.14
01a	Was $\varnothing 41.83 \pm 0.25$	SJ	5.Dec.14	01b	Was $\varnothing 43.25$	SJ	5.Dec.14

Index	Modification:	Name	Date	Index	Modification:	Name	Date
-------	---------------	------	------	-------	---------------	------	------

General Tolerance  
 BLOWMOLDING ARTICLE: DIN ISO 2768-c  
 INJECTION ARTICLE: DIN 16901/150B  
 PREFORM: DIN 16901/130A

Scale:	Name	Date
1:1	Prepared: Soto Jessica	24.Nov.14
1:1	Reviewed: Soto Jessica	16.Dec.14

ALPLA reserves all rights to the technical IP contained in the document	Supersedes:
	Supereded by:
	Weight: 00kg

Title: JAGUARR 250g



Art.No.:	Page: 1 of 1
Drawing No.:	Revision: 02

9201\_414\_001\_02