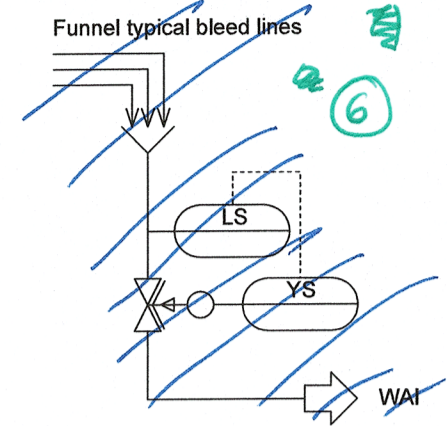


B_10_2027, class E

Notes:
 1) Double block and bleed principle applied at the interfaces between CIP and product, media / buffer, clean utilities. Only double block applied for lines which would lose their sterile status by bleeding.
 - Number and location of funnels to be defined in next project phase based on 3D design.

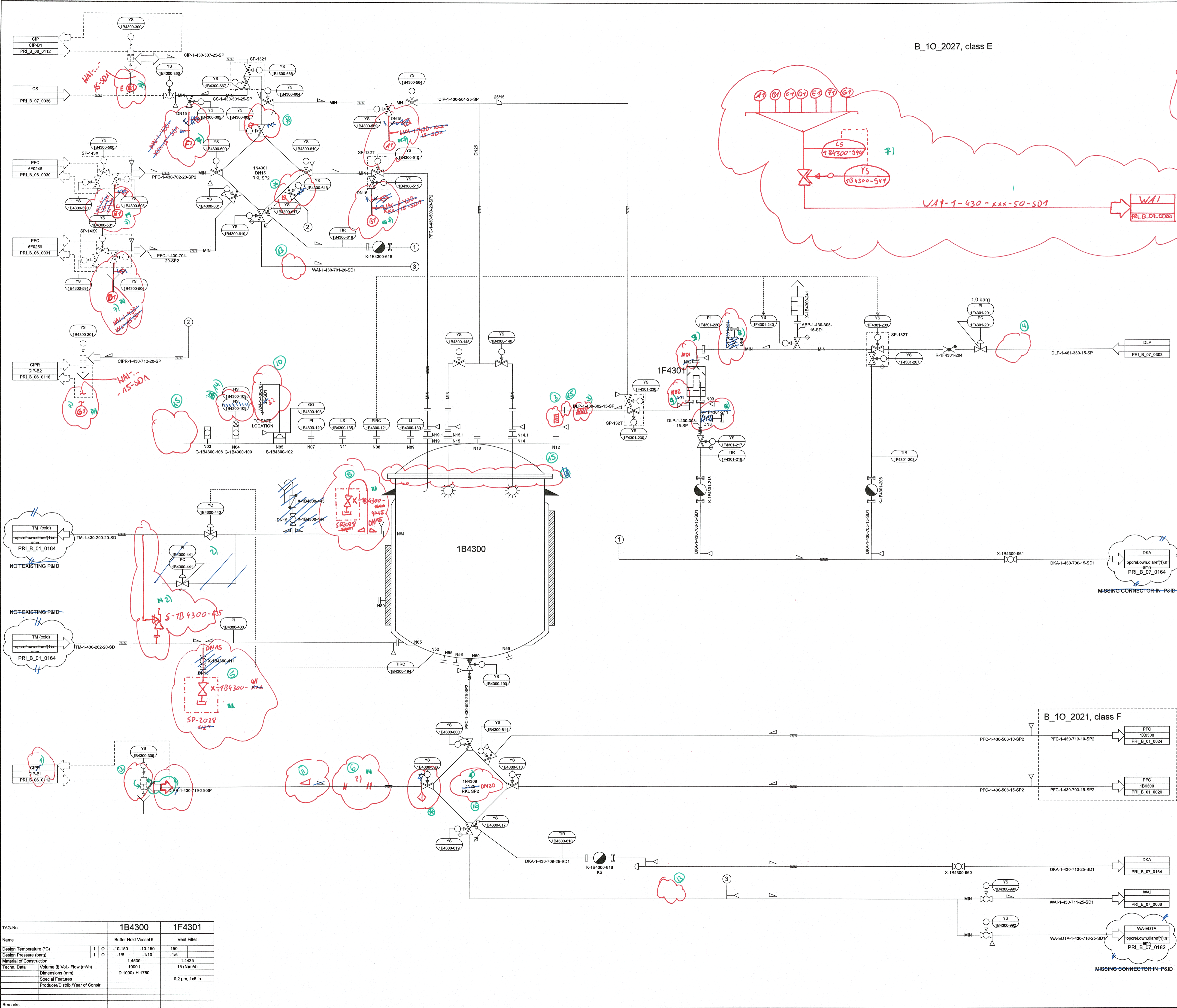


2) spool piece to connect a mobile derouging slide

Master
 07.06.17 NST

- 1) 12.06.17 NST
- 2) 11.07.17 THRU
- 3) 13.07.17/NST
- 4) 12.6.17 NST
- 5) 11.07.17 NST
- 6) 11.07.17 NST
- 7) 11.07.17 NST
- 8) 13.07.17 NST
- 9) 13.07.17 NST
- 10) 3.8.17 NST
- 11) 3.8.17 NST
- 12) 3.8.17 NST
- 13) 12.6.17 NST
- 14) 2.8.17 NST
- 15) 3.8.17 NST
- 16) 3.8.17 NST

⊗ 03.08.17 NST



B_10_2021, class F

TAG-No.	1B4300	1F4301
Name	Buffer Hold Vessel 6	Vent Filter
Design Temperature (°C)	I O -10-150	-10-150
Design Pressure (bara)	I O -1.8 -1.8	-1.8
Material of Construction	1.4539	1.4435
Techn. Data	Volume (l) Vol. Flow (m³/h)	15 (N)/m³/h
Dimensions (mm)	D 1000x H 1750	0.2 µm, 1x5 in
Special Features		
Producer/Distrib./Year of Constr.		
Remarks		

Client: **CSL Behring** | **CSL Behring Recombinant Facility AG**
 Wankdorfstrasse 10
 CH-3000 Bern 22, Switzerland

Architect: **ANS** | **ANS Architekten und Planer SIA AG**
 Hauptstrasse 14
 3076, Worb, Switzerland | Telephone: +41 31 838-8080
 Telefax: +41 31 838-8085

General contractor: **M+W GROUP** | **M+W Central Europe GmbH**
 Business Unit Life Sciences and Process Facilities
 Lotterbergstrasse, 30
 70499, Stuttgart, Germany | Telephone: +49 711 8804-1800
 Telefax: +49 711 8804-1855

Design Partner: **M+W GROUP** | **M+W Central Europe GmbH**
 Business Unit Life Sciences and Process Facilities
 Lotterbergstrasse, 30
 70499, Stuttgart, Germany | Telephone: +49 711 8804-1800
 Telefax: +49 711 8804-1855

RELEASE NAME & DATE: **CSL Behring AG** | **RCF Project Lengnau**
 DATE OF IMPRESSION: **07.06.17**
 Layer No.: **SWA 140610** | PRL_B_01_0075

NO	Update why	DATE	BY	EXPL	DESCRIPTION
01	Update - substitution to APD	03.08.17	AKR		M/W-Buffer Hold Vessel 6
02	First issue	21.06.16	CH		1B4300

SCALE: **1:1**
 LAYOUT NAME: