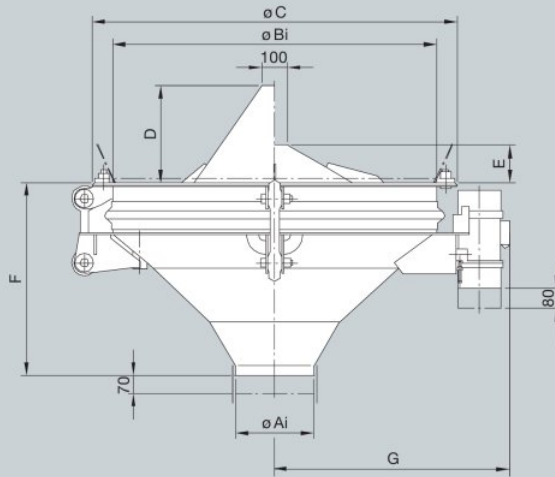


Complete discharge of round, square and rectangular bins.



Technical data, dimensions (mm), weights (kg)

Model	Outlet $\phi Ai$	Dimensions mm						Approximate weights kg						Volume sea pack. in m <sup>3</sup>		Supply of several units stacks
		$\phi Bi$	$\phi C$	D	E	F	G	net		gross		sea pack.		I	II	
								I	II	I	II	I	II			
MFVK-125	300	1250	1420	377	86	751	900	300	+300	425	+340	480	+360	2.8	+1.6	3
	500			437	146	577		520	720	800	5.3	3-4 <sup>1)</sup>				
MFVK-180	300	1800	1970	434	86	982	1175	520	+520	720	+590	800	+620	5.3	+4.0	2
	500					808										2
	750					707										2

I = For single units II = Addition for additional units <sup>1)</sup> Depending on version

Flyer MFVK en OSN ZACC

Bühler AG  
 CH-9240 Uzwil, Switzerland  
 T +41 71 955 11 11  
 F +41 71 955 66 11  
 www.buhlergroup.com

