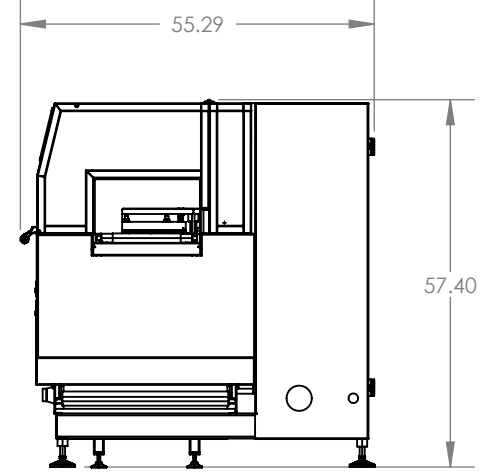
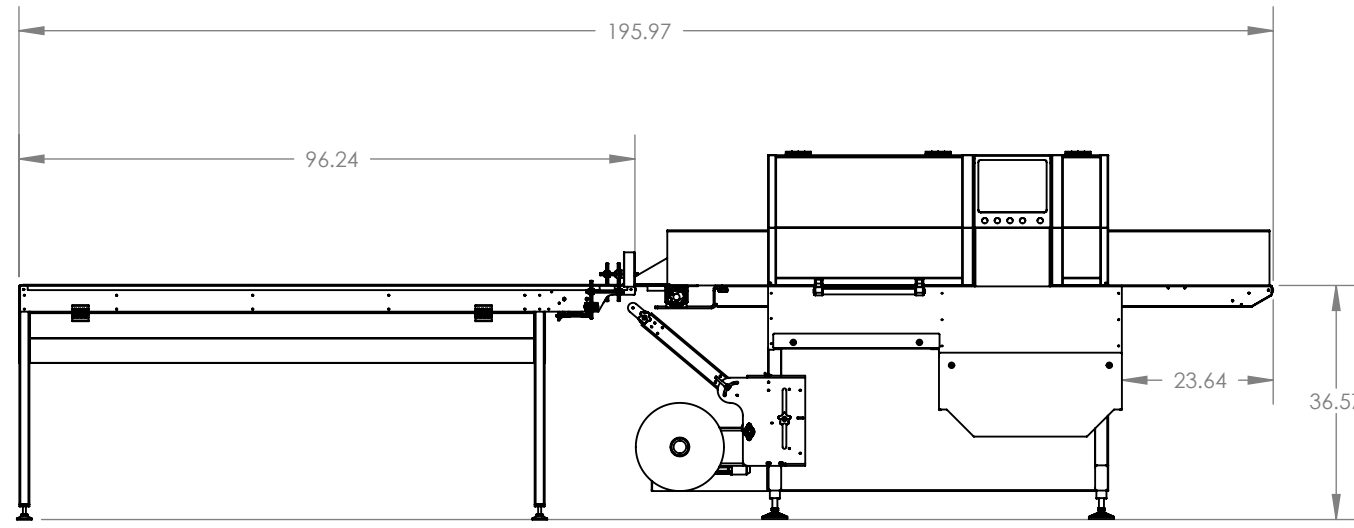
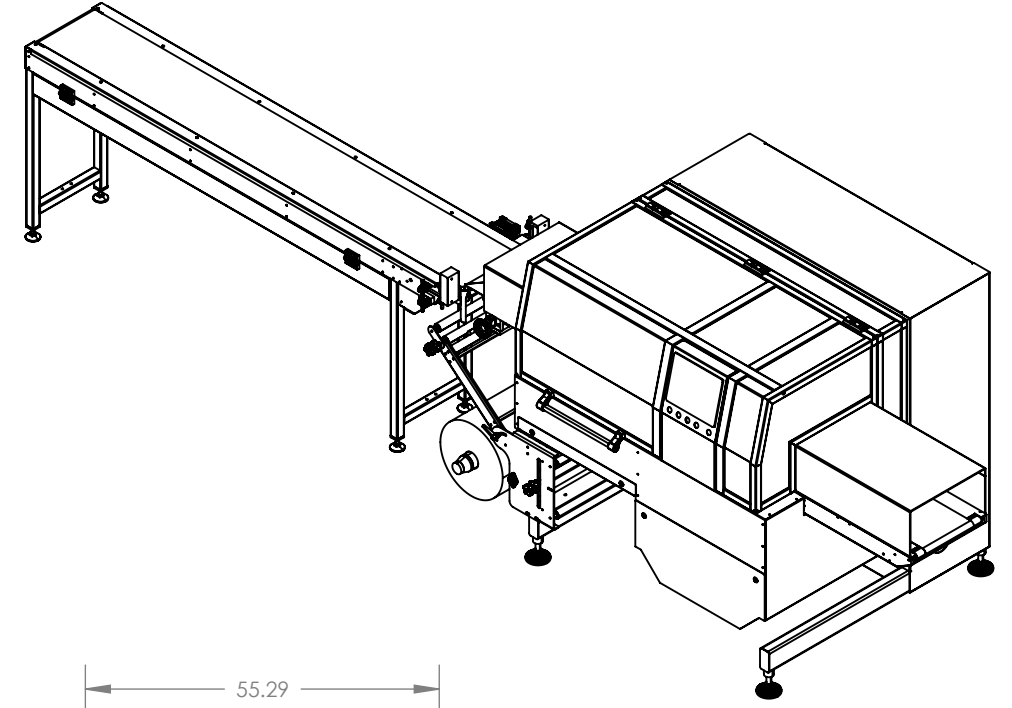
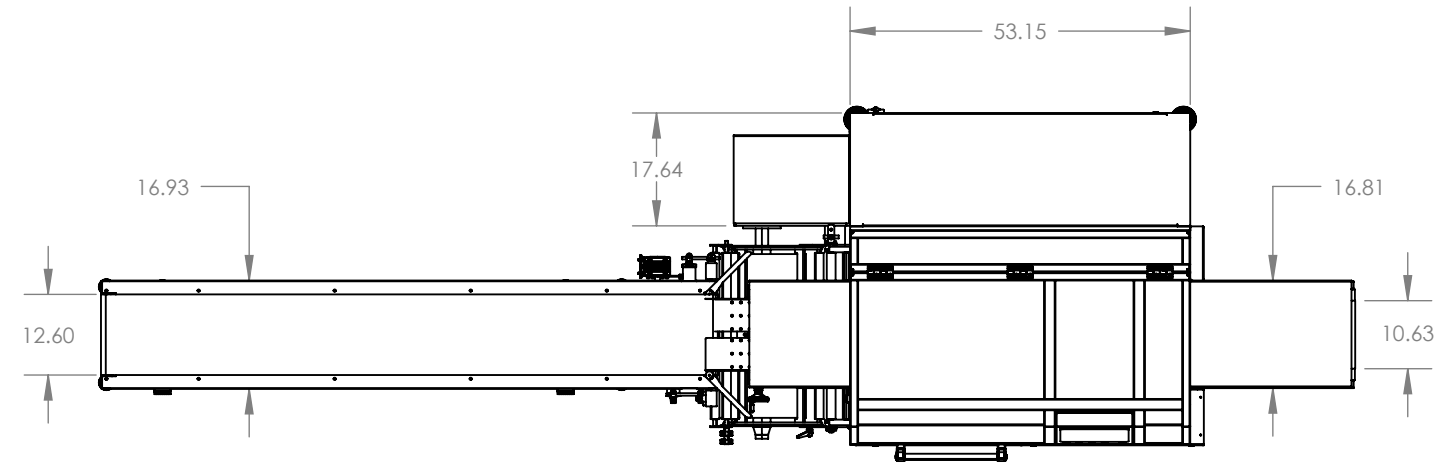



THE FOLLOWING IS A LAYOUT OF THE SYSTEM WEIGHPACK SYSTEMS, INC. IS BUILDING FOR THE CLIENT. THE CLIENT IS TO REVIEW THIS LAYOUT AND ADVISE WEIGHPACK SYSTEMS, INC. WITHIN THE NEXT 3 DAYS IF ANY CHANGES ARE REQUIRED. IF WEIGHPACK SYSTEMS, INC. DOES NOT RECEIVE ANY NOTICE THIS LAYOUT WILL BE RELEASED FOR PRODUCTION. ANY CHANGES REQUIRED THEREAFTER WILL DELAY DELIVERY AND WILL INCUR ADDITIONAL COST AT CLIENT'S EXPENSE.



NOTE: DIMENSIONS ARE APPROXIMATE AND SUBJECT TO FINAL CONSTRUCTION ±4"

NOT FOR FABRICATION

1	SLEEK WRAPPER I65	230 VAC, 60 Hz, 25 A, 1Ph, 2L, 3W	80 PSI, 0.5 CFM	1																			
ITEM NO.	DESCRIPTION OF MACHINE	ELECTRICAL REQ.	PNEUMATIC REQ.	QTY.																			
		<p>PROPRIETARY PROPERTY THIS DRAWING AND INFORMATION CONTAINED THEREON IS EXCLUSIVE PROPERTY OF WEIGHPACK SYSTEMS, INC. AND IS NOT TO BE USED IN ANY WAY WITHOUT THE EXPRESS WRITTEN CONSENT OF WEIGHPACK SYSTEMS, INC. OWNER RESERVES ALL RIGHTS TO RECALL DRAWING UPON DEMAND AND TO COLLECT DAMAGES FOR MISUSE OF ITS PROPRIETARY INFORMATION.</p>																					
<p>IMPORTANT: THIS IS A PRELIMINARY DRAWING INTENDED TO CLARIFY THE CONTENTS OF A LAYOUT REQUEST. THIS DRAWING REFLECTS THE BASIC PART, MACHINE, OR SYSTEM DIMENSIONS, AND TYPES OF OPTIONS.</p>		<table border="1"> <tr> <td>DRAWN:</td> <td>DATE DRAWN:</td> <td>SIZE</td> <td rowspan="2">B</td> </tr> <tr> <td>WEIGHPACK</td> <td>10-18-2019</td> <td></td> </tr> <tr> <td>DESIGNED BY:</td> <td>DESIGNED DATE:</td> <td>SCALE: 1:30</td> <td></td> </tr> <tr> <td>WEIGHPACK</td> <td>10-18-2019</td> <td>SHEET 1 OF 1</td> <td></td> </tr> </table>	DRAWN:	DATE DRAWN:	SIZE	B	WEIGHPACK	10-18-2019		DESIGNED BY:	DESIGNED DATE:	SCALE: 1:30		WEIGHPACK	10-18-2019	SHEET 1 OF 1		<p>WEIGHPACK SYSTEMS INC.</p> <table border="1"> <tr> <td>DWG. NO.</td> <td>REV</td> </tr> <tr> <td>SLEEK WRAPPER i65</td> <td>1</td> </tr> </table>		DWG. NO.	REV	SLEEK WRAPPER i65	1
DRAWN:	DATE DRAWN:	SIZE	B																				
WEIGHPACK	10-18-2019																						
DESIGNED BY:	DESIGNED DATE:	SCALE: 1:30																					
WEIGHPACK	10-18-2019	SHEET 1 OF 1																					
DWG. NO.	REV																						
SLEEK WRAPPER i65	1																						