

DESIGN DRAWINGS

DRY FILTER BENCH BOOTH

DFBCG-070403-NSB-1L

SOLD TO

ANA ENGINEERING INC.

FOR

NELUMBO

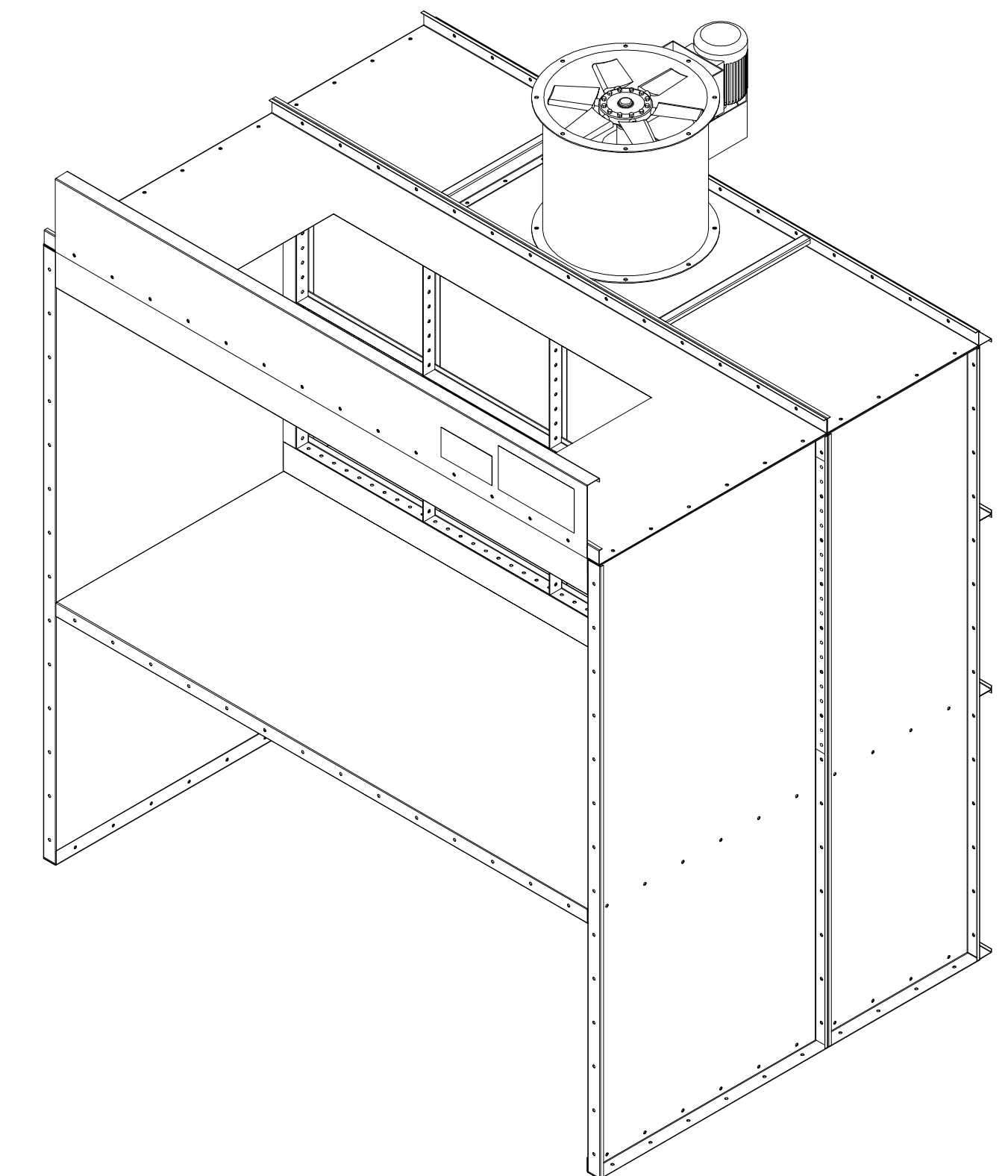


TABLE OF CONTENTS			
DRAWING	REV	TITLE	DESCRIPTION
01	-	GSN-NOTES	GENERAL STRUCTURAL NOTES
02	-	GSN-DETAILS	STANDARD DETAILS
03	-	DFBCG-070403-NSB-1L	BENCH BOOTH - 7'W X 4'H X 3'D
04	-	DFBCG-070403-NSB-1L	BENCH BOOTH - 7'W X 4'H X 3'D

IMPORTANT NOTE: This print and all information contained therein is the sole property of Global Finishing Solutions, LLC ("GFS"). It is not to be used or reproduced in any manner or submitted to other parties for examination or use without the express written consent of GFS. Customer may not contract or purchase order for GFS-manufactured equipment. Customer may make and retain copies of the print for information and reference in connection with an equipment order; however, this print is not intended or represented to be suitable for re-use by Customer or others on extensions of the order or on any other project. Any use without written verification is at Customer's sole risk and without liability to GFS, its affiliates, or agents.
© Global Finishing Solutions, LLC 2021

GLOBAL FINISHING SOLUTIONS
12731 NORWAY ROAD
OSSEO, WI 54758 USA
800-848-8738
globalfinishing.com

SHIP TO
NELUMBO
26225 EDEN LANDING ROAD
HAYWARD, CA 94545

SOLD TO
ANA ENGINEERING INC.
PO BOX 110519
CAMPBELL, CA 95011

ORDER/SERIAL NUMBER
U130240-A

DRAWING SET
R01

REVISION
0

GENERAL STRUCTURAL NOTES

APPLY UNLESS NOTED ON DRAWINGS. IN CASE OF CONFLICT BETWEEN GSN, DETAILS AND PLANS, THE GREATER REQUIREMENTS GOVERN.

DESIGN INFORMATION:

BOOTH AND EQUIPMENT HAS BEEN DESIGNED BASED ON THE CURRENT EDITION OF THE INTERNATIONAL BUILDING CODE

RISK CATEGORY: II
SEISMIC IMPORTANCE FACTOR: IE=1
MAPPED SPECTRAL RESPONSE ACCELERATION:
S_s =1.613
S₁ =0.609

SITE CLASS: D (ASSUMED)
SPECTRAL RESPONSE COEFFICIENT:
S_ds=1.291
S_d1=0.690

SEISMIC DESIGN CATEGORY: D
SEISMIC-FORCE-RESISTING SYSTEMS:
LIGHT-FRAMED WALLS WITH SHEAR PANELS OF ALL OTHER MATERIALS

RESPONSE MODIFICATION FACTOR: R=2
SEISMIC RESPONSE COEFFICIENT: C_s=0.645

ANALYSIS PROCEDURE USED:
EQUIVALENT LATERAL FORCE PROCEDURE

BASIC WIND SPEED: 92 MPH
(PORTIONS OF EQUIPMENT THAT IS OUTDOOR ONLY - IE STACKS AND STANDS)

BUILDING CATEGORY: INDOOR
EXPOSURE: C

LATERAL LIVE LOAD: 5 PSF
DEAD LOADS: SELF-WEIGHT OF STRUCTURAL STEEL

INDUSTRIAL
- 6 PSF (ROOF)
- 4 PSF (WALLS)
BOOTH ROOF LIVE LOADS: N/A PSF

FOUNDATION INFORMATION:

CAPACITY OF THE FOUNDATION/SLAB TO SUPPORT GFS BOOTHS AND EQUIPMENT IS NOT THE RESPONSIBILITY OF GFS.

ANCHORS INDICATED ARE BASED ON ASSUMPTIONS OF EXISTING CONDITIONS (LISTED BELOW). THESE ASSUMPTIONS ARE MADE IN ORDER FOR GFS TO PROVIDE ANCHOR BOLT HOLES IN THE BASE PLATES AND PANELS. EXISTING CONDITIONS SHOULD BE VERIFIED BY THE OWNER AND ANY DEVIATIONS SHOULD BE CONVEYED TO GFS PRIOR TO FABRICATION.

1/4"φ SCREW ANCHOR - 1/4"Ø POWERS (DEWALT) SCREW-BOLT+ SCREW ANCHORS EMBEDDED 1 15/16" PER ICC ESR-3889 TO SECURE PANELS TO CONCRETE. IN LIEU OF THE POWERS (DEWALT) ANCHOR, 1/4"φ HILTI KWIK HUS-EZ SCREW ANCHORS EMBEDDED 1 15/16" PER ICC ESR-3027 MAY BE USED. EACH WALL/BAY IS REQUIRED TO HAVE ANCHORS AT 18" O.C. MAX, UNLESS NOTED OTHERWISE. EACH WALL SHALL HAVE (1) ANCHOR 6" MAXIMUM FROM END OR CORNER AND A MINIMUM OF (2) ANCHOR PER WALL/BAY. INSTALL ANCHORS PER MANUFACTURER'S RECOMMENDATION. SEE DETAILS FOR ADDITIONAL INFORMATION. A PREAPPROVED ANCHOR WITH A CAPACITY EQUAL TO OR GREATER THAN THE SPECIFIED ANCHOR AND WITH A CURRENT ICC REPORT MAY BE USED IN LIEU OF THE ANCHOR SPECIFIED. ALL OTHER RESTRICTIONS (INCLUDING BUT NOT LIMITED TO EDGE DISTANCE AND EMBEDMENT) SHALL BE CONSIDERED.

ANCHOR SPECIFICATION IS BASED ON THE FOLLOWING ASSUMPTIONS OF EXISTING CONDITIONS:
-- MINIMUM CONCRETE COMPRESSIVE STRENGTH IS 2500 PSI.
-- MINIMUM SLAB DEPTH IS 4".

COLD-FORMED STEEL:

ALL COLD-FORMED STEEL MEETS THE REQUIREMENTS OF THE LATEST EDITION OF THE AISI SPECIFICATION FOR THE DESIGN OF COLD-FORMED STEEL STRUCTURAL MEMBERS. ALL COLD-FORMED STEEL IS COMMERCIAL GRADE WITH A YIELD STRENGTH OF 24 KSI AND AN ULTIMATE STRENGTH OF 40 KSI.

STRUCTURAL STEEL:

ALL STRUCTURAL STEEL FABRICATION AND CONSTRUCTION COMPLY WITH THE LATEST AISC HANDBOOKS AND CODES. ALL STEEL IS ASTM A36, EXCEPT AS FOLLOWS:
-- WIDE FLANGE SECTIONS - ASTM A992,
-- PIPE SECTIONS - ASTM A53 GRADE B,
-- HSS SECTIONS - ASTM A500 GRADE B
-- BOLTS ARE A325-N AND SHALL BE SNUG-TIGHTENED.

WELDING:

WELDERS HOLD CURRENT VALID CERTIFICATES AND HAVE CURRENT EXPERIENCE IN TYPE OF WELD CALLED FOR. STRUCTURAL STEEL WELDING WITH LOW HYDROGEN TYPE, E70 AND E60 FOR LIGHT GAUGE STEEL. STRUCTURAL STEEL WELDING CONFORMS TO THE "STRUCTURAL WELDING CODES-STEEL" AWS D1.1, CURRENT EDITION.

GLOBAL FINISHING SOLUTIONS
12731 NORWAY ROAD
OSSEO, WI 54758 USA
800-848-8738
globalfinishing.com

IMPORTANT NOTE: This print and all information contained herein is the sole property of Global Finishing Solutions, LLC ("GFS"). It is not to be used or reproduced in any manner or submitted to other parties for examination without the express written approval of GFS pursuant to a fully-executed contract or purchase order for GFS-manufactured equipment. Customer may make and retain copies of the print for information and reference in connection with an equipment order; however, this print is not intended or presented to be suitable for re-use by Customer or others on extensions of the order without written verification from GFS. GFS, its affiliates, and its agents.
© Global Finishing Solutions, LLC 2021.

SCALE	NTS	DRAWN BY	DATE	REVIEW BY	REVIEW DATE
		JO	6/14/2021		

MODEL INFO	SHIP TO
GSN-NOTES	NELUMBO
GENERAL STRUCTURAL NOTES	26225 EDEN LANDING ROAD
	HAYWARD, CA 94545

SOLD TO	ANA ENGINEERING INC.
	PO BOX 110519
	CAMPBELL, CA 95011

ORDER/SERIAL NUMBER
U130240-A

DRAWING SET	REVISION
R01	-

DRAWING
01

A

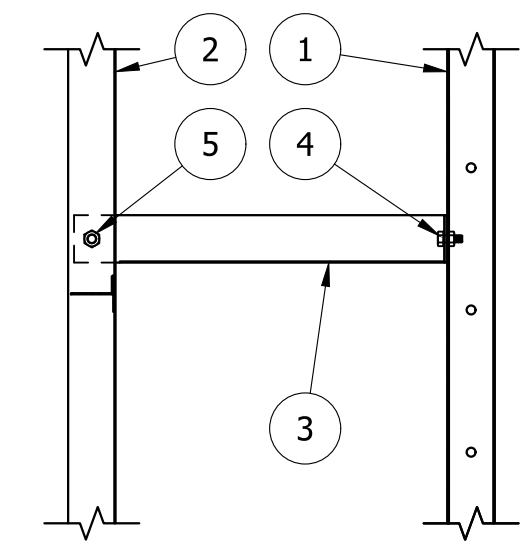
B

C

D

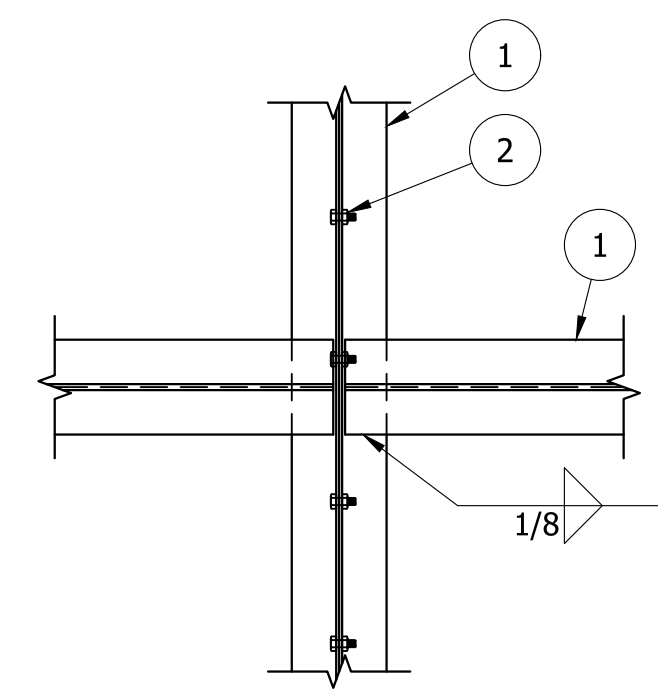
E

- 1. SINGLE SKIN WALL PANEL.
- 2. FILTER RACK FRAMING.
- 3. 18 GA STRUT.
- 4. (2) 5/16"φ A307 BOLTS.
- 5. (1) 5/16"φ A307 BOLT.

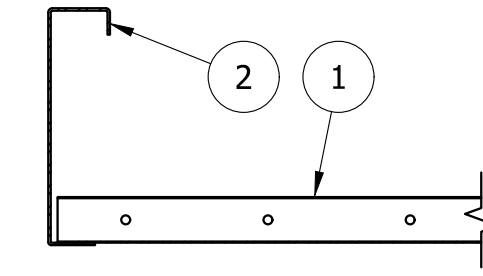


DF4A FILTER RACK TO WALL STRUT
SS###

- 1. FILTER RACK FRAMING.
- 2. 5/16"φ A307 BOLTS AT 6" O.C.

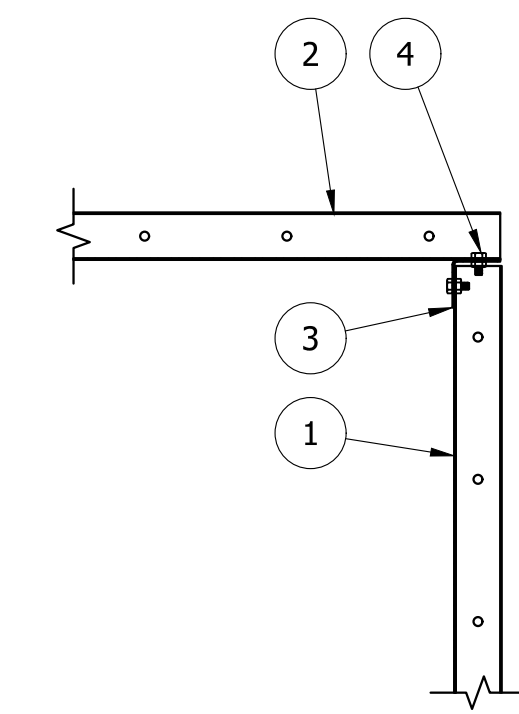


DF4B FILTER RACK
SS###



DF2E ROOF BEAM
SS###

- 1. SINGLE SKIN BOOTH ROOF PANEL.
- 2. 10" DEEP x 12 GA "J" BEAM.

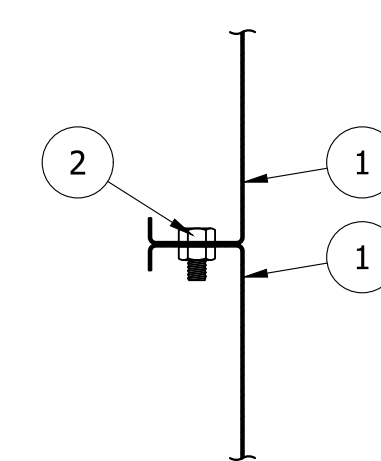


DF2E ROOF BEAM
SS###

- 1. SINGLE SKIN WALL PANEL.
- 2. SINGLE SKIN BOOTH ROOF PANEL.
- 3. 2x2x14 GA TIE ANGLE.
- 4. 5/16"φ BOLTS AT 6" O.C. TYPICAL WHERE SHOWN.

DF3C WALL/ROOF TIE
SS###

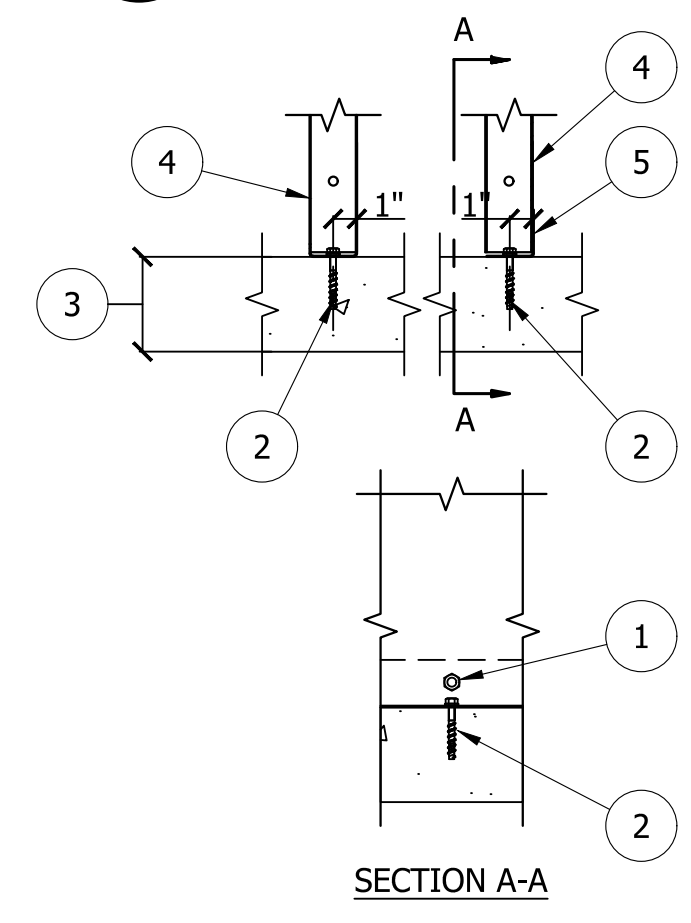
- 1. SINGLE SKIN PANEL.
- 2. 5/16"φ A307 BOLTS AT 6" O.C. TYP.



SCALE
3" = 1'-0"

DF3C WALL/ROOF TIE
SS###

DF1 PANEL TO PANEL CONNECTION
SS###



- 1. MAY NEED TO REMOVE BOLT & NUT FOR INSTALLATION OF ANCHOR.
- 2. SEE 1/4"φ SCREW ANCHOR NOTES ON GSN.
- 3. EXISTING SLAB ON GRADE. 4" MIN CONCRETE THICKNESS. VERIFICATION OF SLAB NOT BY GFS.
- 4. SINGLE SKIN PANEL.
- 5. BASE TIE ANGLE

DF5A PANEL OR TIE ANGLE TO SLAB CONNECTION
SS###

GLOBAL FINISHING SOLUTIONS
 12731 NORWAY ROAD
 OSSEO, WI 54758 USA
 800-848-8738
 globalfinishing.com

IMPORTANT NOTE: This print and all information contained herein is the sole property of Global Finishing Solutions, LLC ("GFS"). It is not to be used or reproduced in any manner or submitted to other parties for examination without the express written approval of GFS pursuant to a fully-executed contract or purchase order for GFS-manufactured equipment. Customer may make and retain copies of the print for information and reference in connection with an equipment order; however, this print is not intended or represented to be suitable for re-use by Customer or others on extensions of the order without the express written approval of GFS. No liability is assumed without written verification is at Customer's sole risk and without limitation. © Global Finishing Solutions, LLC 2021.

SCALE	NTS	DRAWN BY	JO	DATE	6/14/2021	REVIEW BY		REVIEW DATE	
-------	-----	----------	----	------	-----------	-----------	--	-------------	--

MODEL INFO	GSN-DETAILS	SHIP TO	NELUMBO
	STANDARD DETAILS		26225 EDEN LANDING ROAD HAYWARD, CA 94545
SOLD TO	ANA ENGINEERING INC.		
ORDER/SERIAL NUMBER	PO BOX 110519		
	CAMPBELL, CA 95011		
DRAWING SET	R01	REVISION	-
DRAWING	02		

- NOTE:
- BOOTH IS FABRICATED FROM 18 GAGE GALVANIZED SHEET STEEL; PRE-PUNCHED AND COMPANION FLANGED FOR BOLT TOGETHER ASSEMBLY.
 - DUCT SUPPORT NOT SUPPLIED OR DESIGNED BY GFS. EQUIPMENT IS NOT DESIGNED TO SUPPORT DUCT. DUCT SUPPORTS SHALL BE DESIGNED TO RELIEVE THE EQUIPMENT OF ALL DUCT LOAD.
 - WALL SHUTTER, IF APPLICABLE, DOES NOT MEET NFPA CODE. DISCHARGE POINT MUST BE 6' FROM EXTERIOR WALL OR ROOF AND 10FT ABOVE EXTERIOR GRADE.
 - INCLUDED BUT NOT SHOWN:
 - MANOMETER
 - 242-019, VALVE SOLENOID 3-WAY N.C. 1/2 FPT FOR 120V UNIT
 - CP-BNP-2010072, CONTROL PANEL 208/3/4 3/4HP 12LT(48TUBE MAX)
 - DU-GWK-18, KIT GUY WIRE 18 DIA

FAN INSTALLATION NOTE:
 ROTATE FAN TO ENSURE THAT MOTOR AND BELT ARE MORE THAN 3 FT. FROM FRONT FACE OF BOOTH.

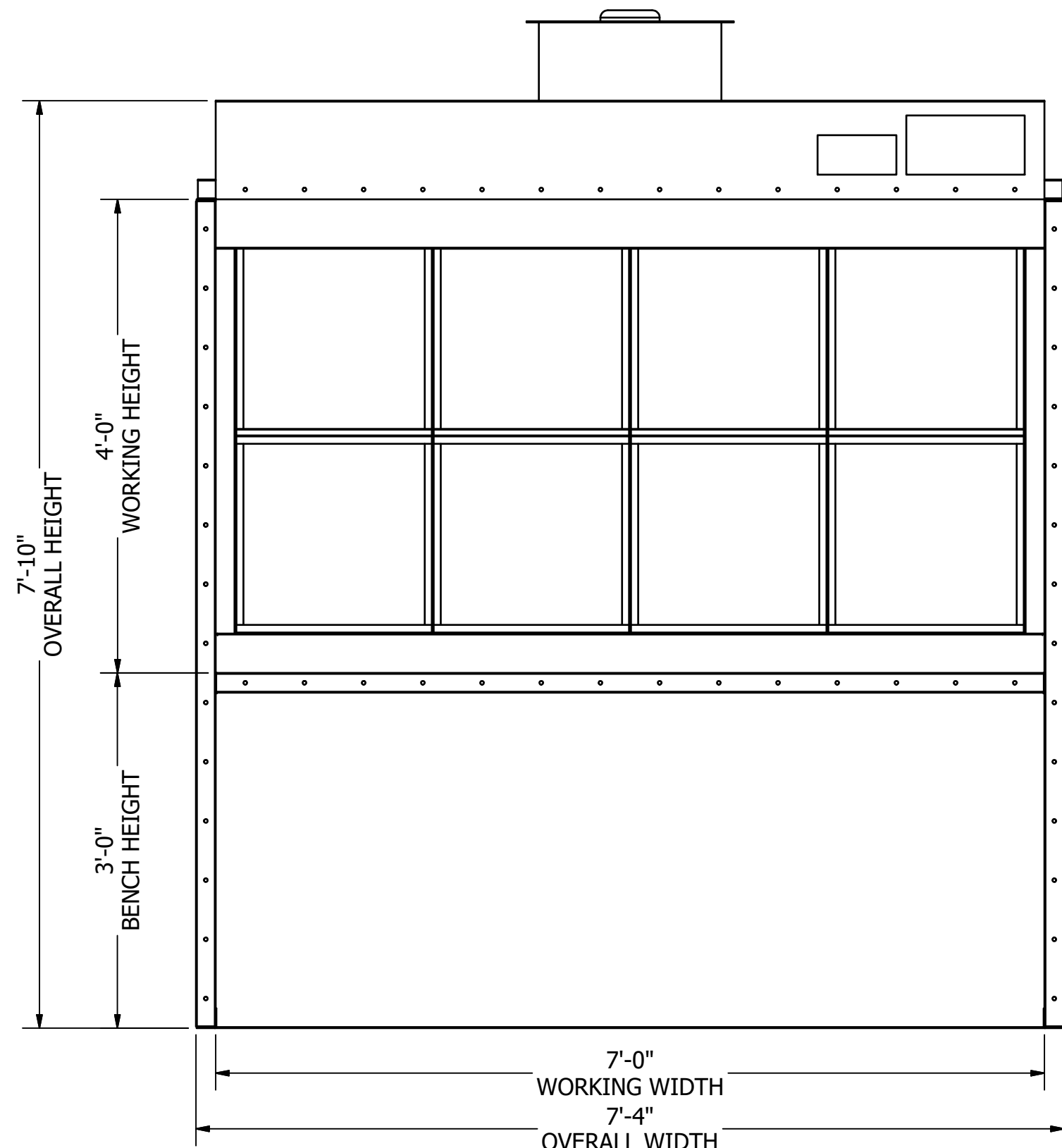
EXHAUST DUCT SHALL BE INSTALLED IN ACCORDANCE WITH ALL LOCAL CODES.

NATIONAL FIRE PREVENTION ASSOCIATION

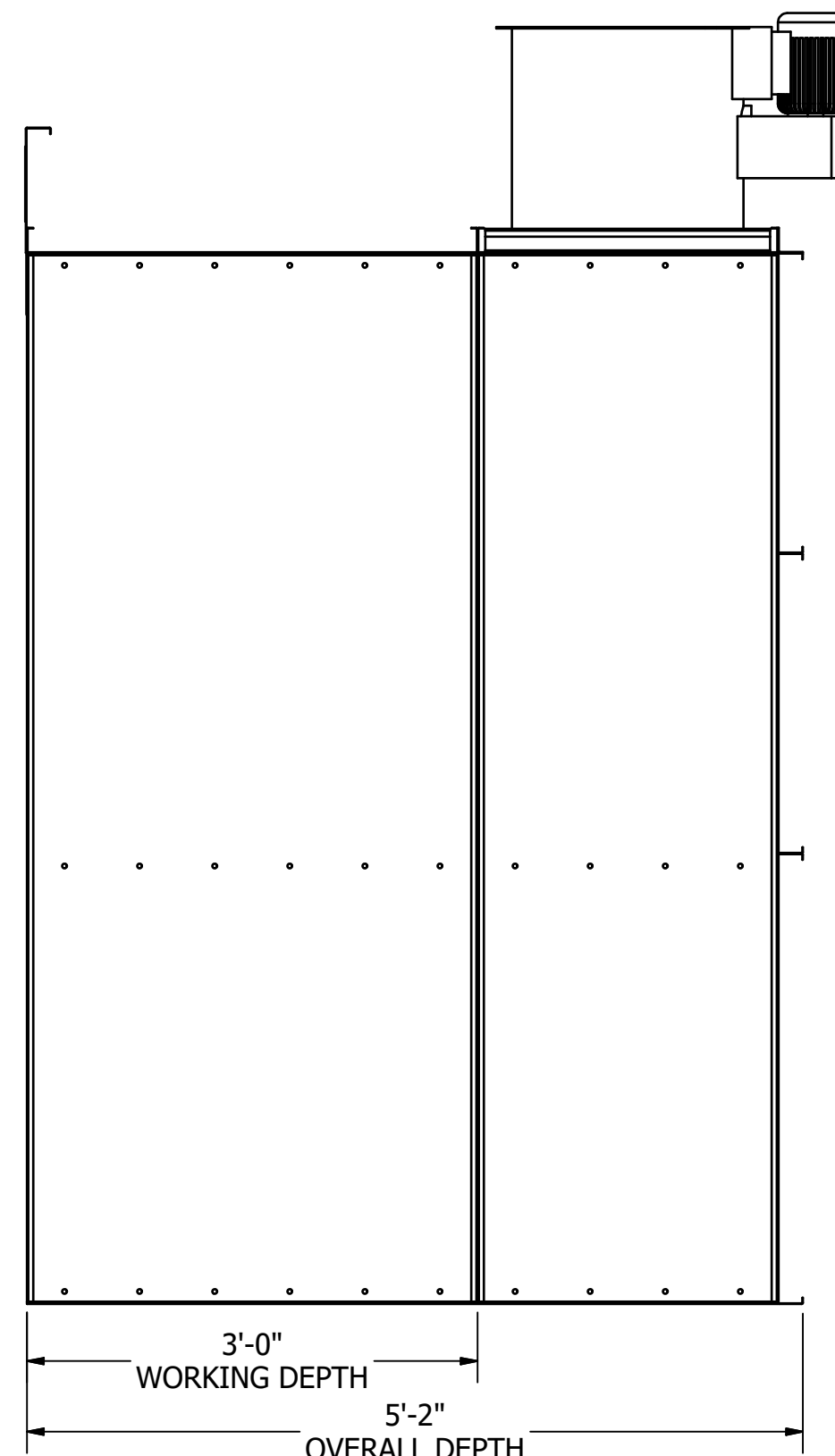
- AIR EXHAUSTED TO THE ATMOSPHERE FROM LIQUID SPRAY OPERATIONS SHALL BE CONDUCTED BY DUCTS DIRECTLY TO THE OUTSIDE OF THE BUILDING.
- EXHAUST DUCTS SHALL FOLLOW THE MOST DIRECT ROUTE TO THE POINT OF DISCHARGE BUT SHALL NOT PENETRATE A FIRE WALL.
- THE EXHAUST DISCHARGE SHALL BE DIRECTED AWAY FROM ANY FRESH AIR INTAKES.
- THE EXHAUST DUCT SHALL BE AT LEAST 6 FT. (1830 MM) FROM ANY EXTERIOR WALL OR ROOF.
- THE EXHAUST DUCT SHALL NOT DISCHARGE IN THE DIRECTION OF ANY COMBUSTIBLE CONSTRUCTION THAT IS WITHIN 25 FT. (7625 MM) OF THE EXHAUST DUCT DISCHARGE POINT NOR SHALL IT DISCHARGE IN THE DIRECTION OF ANY UNPROTECTED OPENING IN ANY NONCOMBUSTIBLE OR LIMITED-COMBUSTIBLE CONSTRUCTION THAT IS WITHIN 25 FT. (7625 MM) OF THE EXHAUST DUCT DISCHARGE POINT.

INTERNATIONAL FIRE CODE

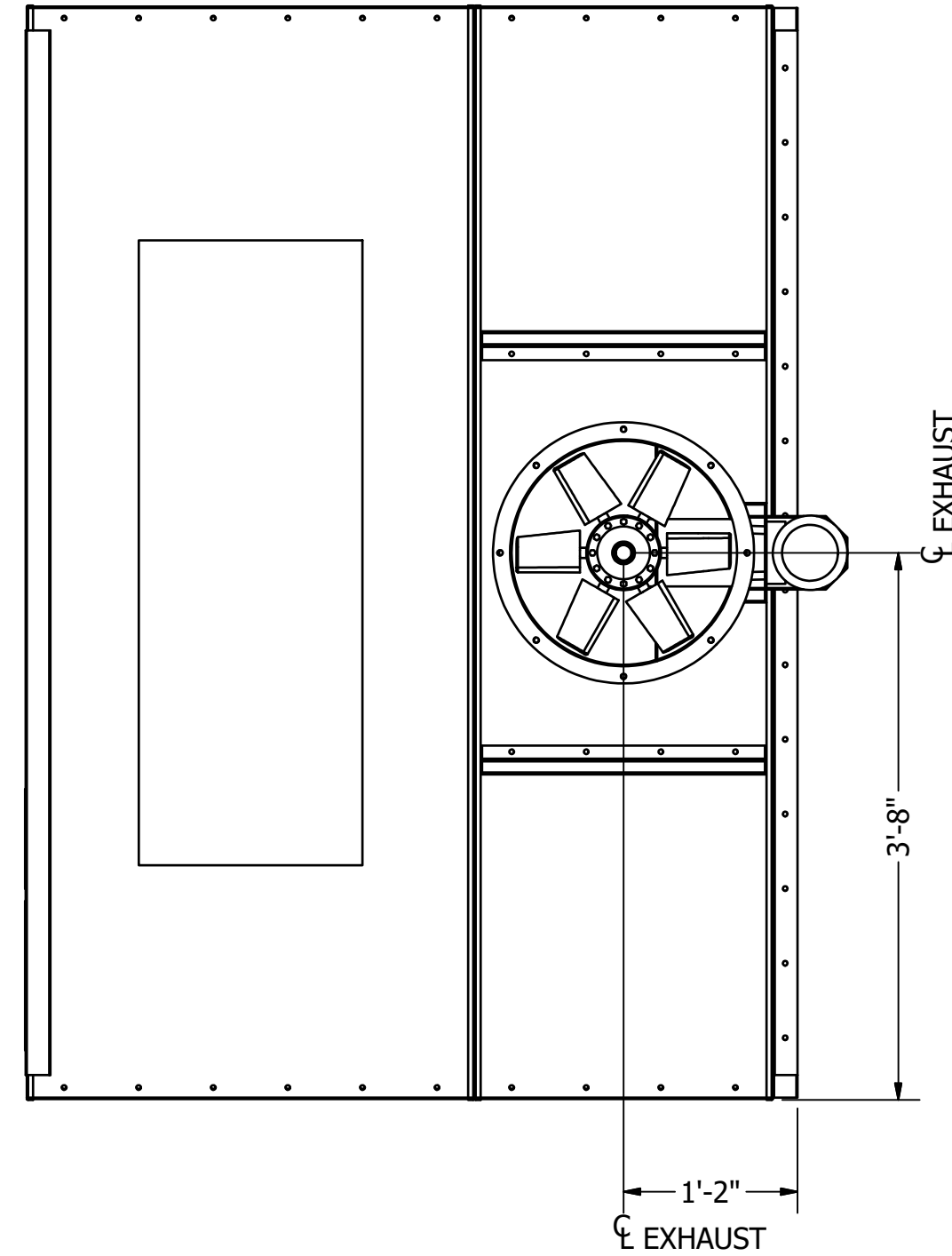
- THE TERMINATION POINT FOR EXHAUST DUCTS DISCHARGING TO THE ATMOSPHERE SHALL NOT BE LESS THAN THE FOLLOWING DISTANCES:
- DUCTS CONVEYING EXPLOSIVE OR FLAMMABLE VAPORS, FUMES OR DUSTS: 30 FT. (9144 MM) FROM THE PROPERTY LINE; 10 FT. (3048 MM) FROM OPENINGS INTO THE BUILDING; 6 FT. (1830 MM) FROM EXTERIOR WALLS OR ROOFS; 30 FT. (9144 MM) FROM COMBUSTIBLE WALLS OR OPENINGS INTO THE BUILDING WHICH ARE IN THE DIRECTION OF THE EXHAUST DISCHARGE; 10 FT. (3048 MM) ABOVE THE ADJOINING GRADE.



FRONT VIEW



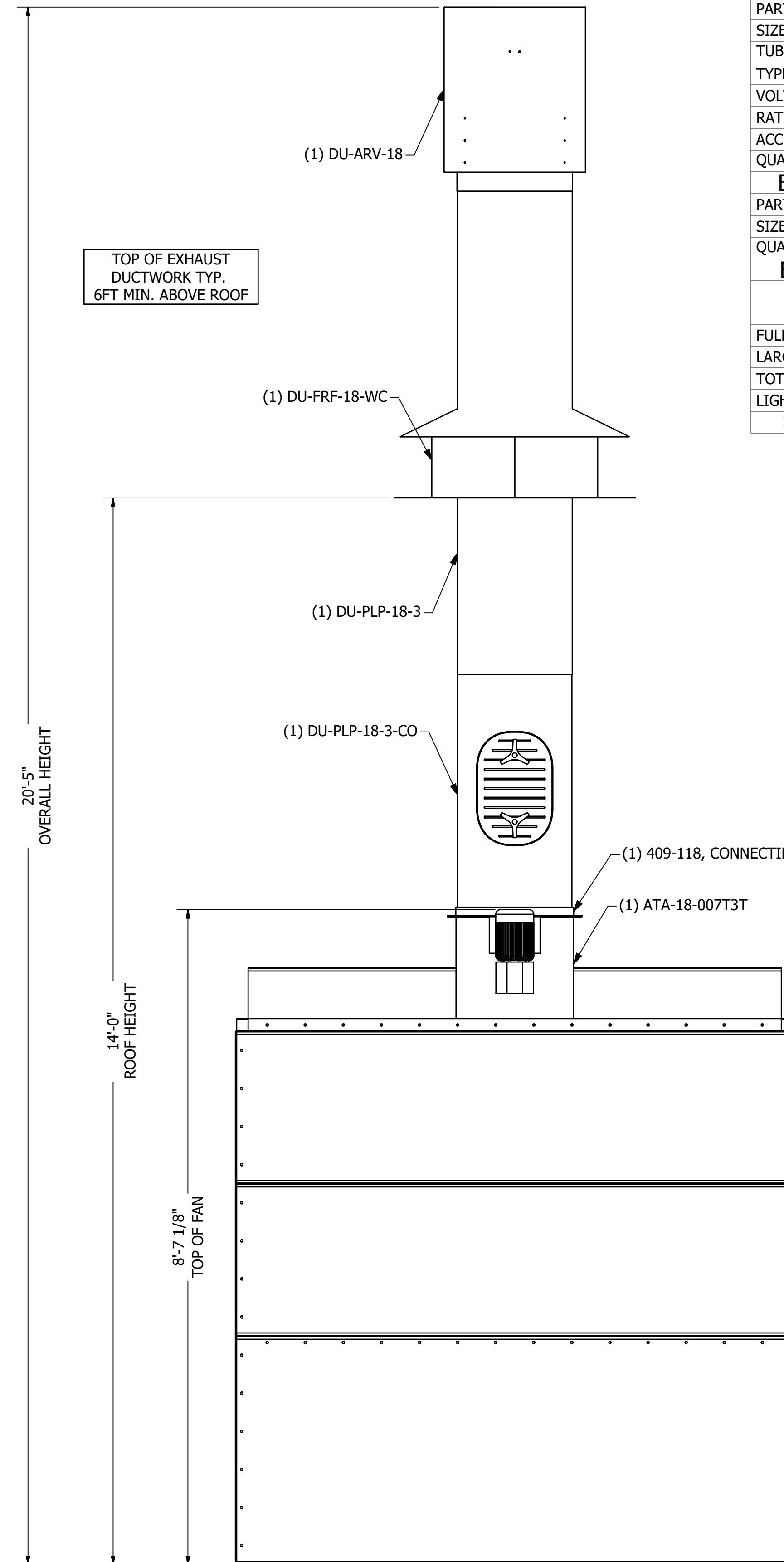
SIDE VIEW



PLAN VIEW

BUILDING ROOF HEIGHT	14 FT		
BUILDING DISTANCE TO WALL	FT		
BUILDING ROOF PITCH	FLAT		
AMU INTAKE			
AMU DISCHARGE			
EXHAUST COMPONENT	PLAIN PIPE	18" DIA	26" x 26"
	TYPE	SIZE	OPENING (RECOMMENDED)

DUCT INFO - ROOF/WALL OPENINGS



REAR VIEW

BOOTH EQUIPMENT SPECIFICATIONS	
EXHAUST FAN	
PART #	ATA-18-007T3T
DIAMETER	18
TOTAL CFM	2800
STATIC PRESSURE	1/2"
HORSEPOWER	3/4
VOLTAGE	208/230/460
PHASE	3
ENCLOSURE	TEFC
QUANTITY	1
LIGHTS	
PART #	LABW12-4-LED
SIZE	48"
TUBES - (INCL.)	4
TYPE	LED
VOLTAGE	120/277
RATING	CLASS 1 DIV. 2
ACCESS	INSIDE ACCESS
QUANTITY	1
EXHAUST FILTERS	
PART #	FIL-EPP-2020-W
SIZE	20"x20"x2"
QUANTITY	8
ELECTRICAL INFO	
OPERATING VOLTAGE	
208V 3PH 4W 60HZ	
FULL LOAD AMPS	10
LARGEST MOTOR HP	3/4
TOTAL HP	3/4
LIGHTING VOLTAGE	120V 4W
13 AMP MIN SERVICE REQ	

GLOBAL FINISHING SOLUTIONS
 12731 NORWAY ROAD
 OSSEO, WI 54758 USA
 800-848-8738
 globalfinishing.com

IMPORTANT NOTE: This print and all information contained therein is the sole property of Global Finishing Solutions, LLC ("GFS"). It is not to be used or reproduced in any manner or submitted to other parties for examination without the express written approval of GFS pursuant to a fully-executed contract or purchase order for GFS-manufactured equipment. Customer may make and retain copies of the print for information and reference in connection with an equipment order; however, this print is not intended or represented to be suitable for re-use by Customer on other projects or extensions of this order, in whole or in part, and without liability to GFS, its affiliates, or agents. © Global Finishing Solutions, LLC 2021

SCALE	7/8" = 1'-0"
DRAWN BY	JO
DATE	6/14/2021
REVIEW BY	
REVIEW DATE	

SHIP TO
 NELUMBO
 26225 EDEN LANDING ROAD
 HAYWARD, CA 94545

MODEL INFO
 DFCG-070403-NSB-1L
 BENCH BOOTH - 7'W x 4'H x 3'D
 CONCEPT DRAWING

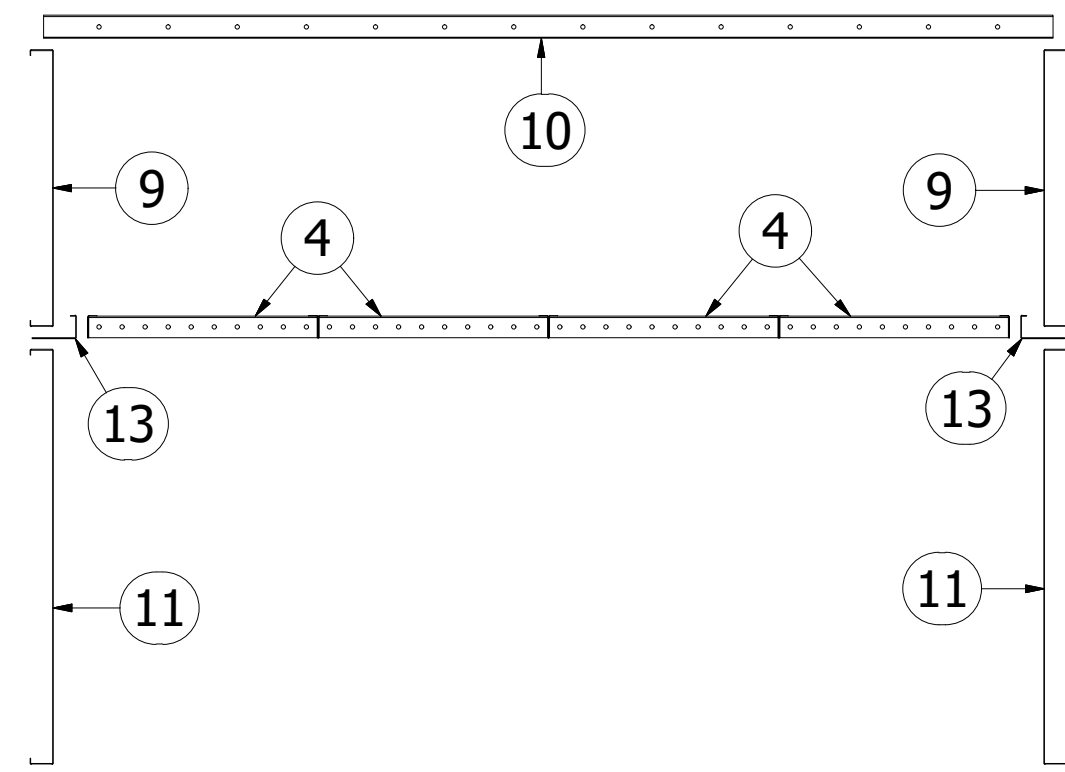
SOLD TO
 ANA ENGINEERING INC.
 PO BOX 110519
 CAMPBELL, CA 95011

ORDER/SERIAL NUMBER U130240-A	
DRAWING SET R01	REVISION
DRAWING 03	

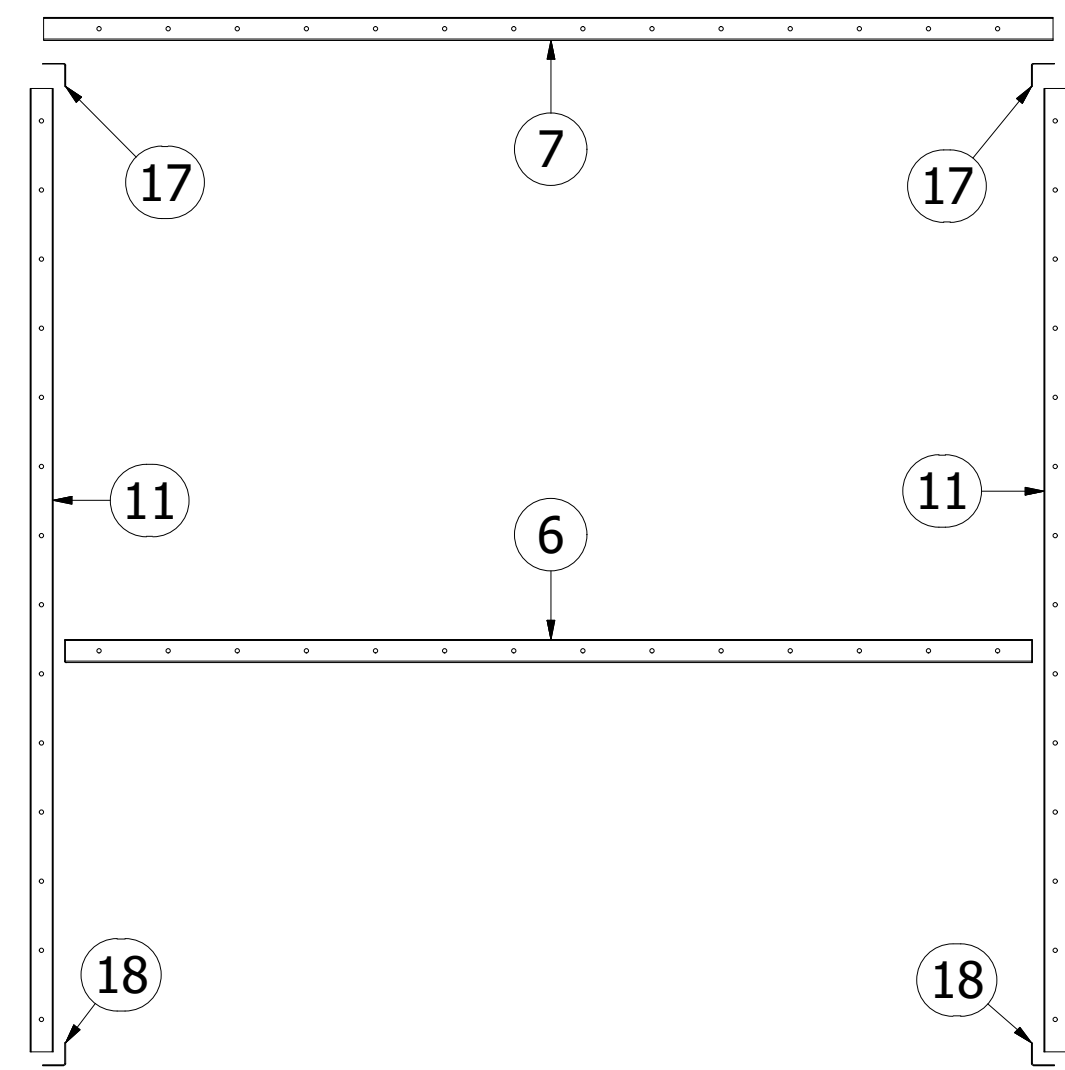
- NOTE:
 1. USE Ø5/16" x 3/4" BOLTS & NUTS FOR ALL TIE ANGLE AND PANEL CONNECTIONS.
 2. USE ONE Ø5/16" x 1/2" BOLT & NUT EVERY 6 INCHES FOR FILTER RACK TO FILTER RACK CONNECTIONS.
 3. USE ONE Ø5/16" x 3/4" BOLT & NUT EVERY 6 INCHES FOR FILTER RACK TO PANEL CONNECTIONS WITH THE BOLT HEAD ON THE INSIDE OF THE FILTER CELL.
 4. SEE GSN DRAWING FOR PANEL ANCHORING DETAILS.
 5. FOR REAR EXHAUST, ATTACH FAN PANEL TO THE BACK OF THE BOOTH AND REAR WALL PANEL TO THE TOP OF THE CHAMBER.

INSPECTED AND INVENTORIED BY: _____
 PACKED BY: _____
 QUANTITY PER BOOTH: 1
 BOOTHS REQUIRED: 1
 TOTAL QUANTITY: 1

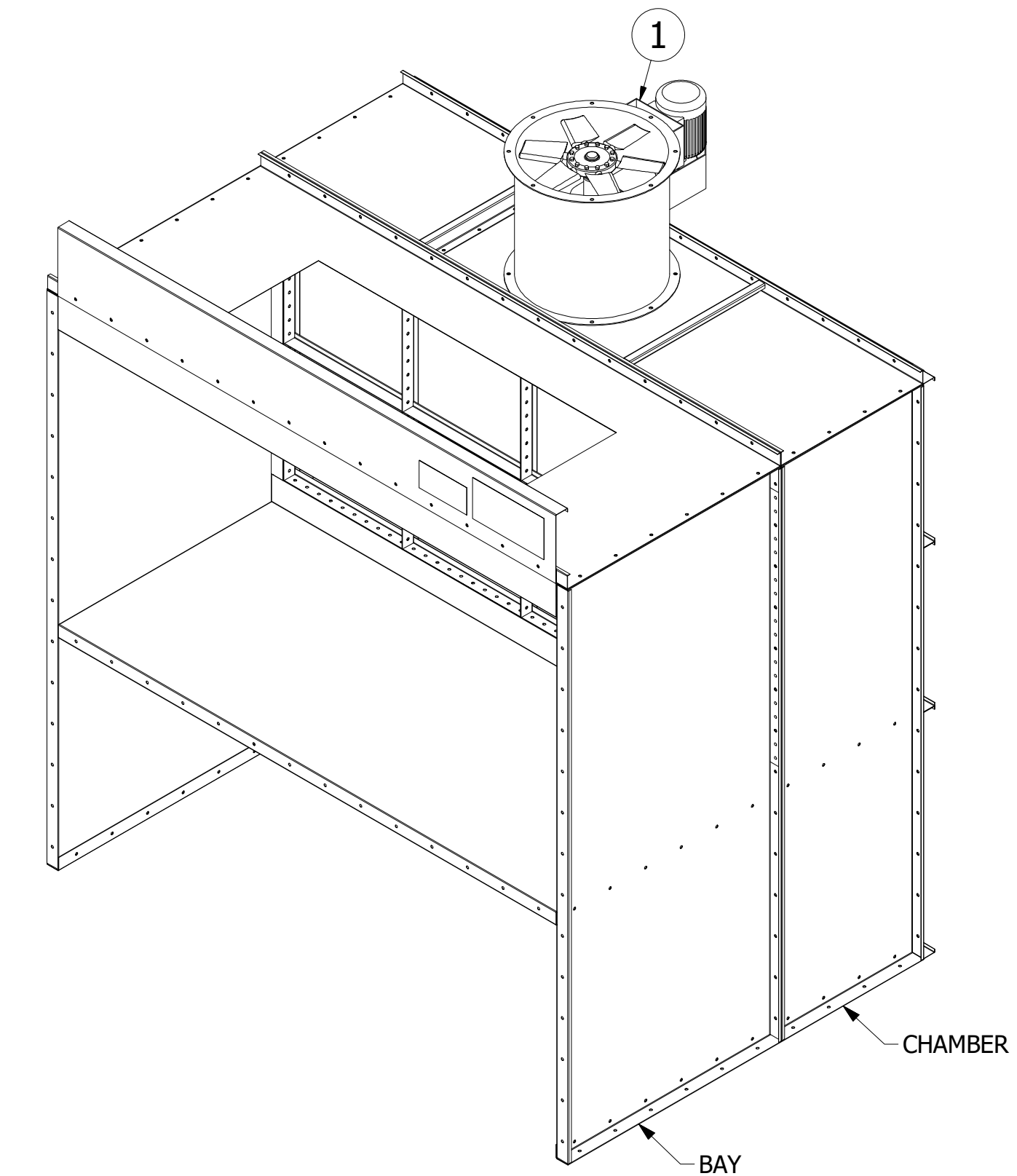
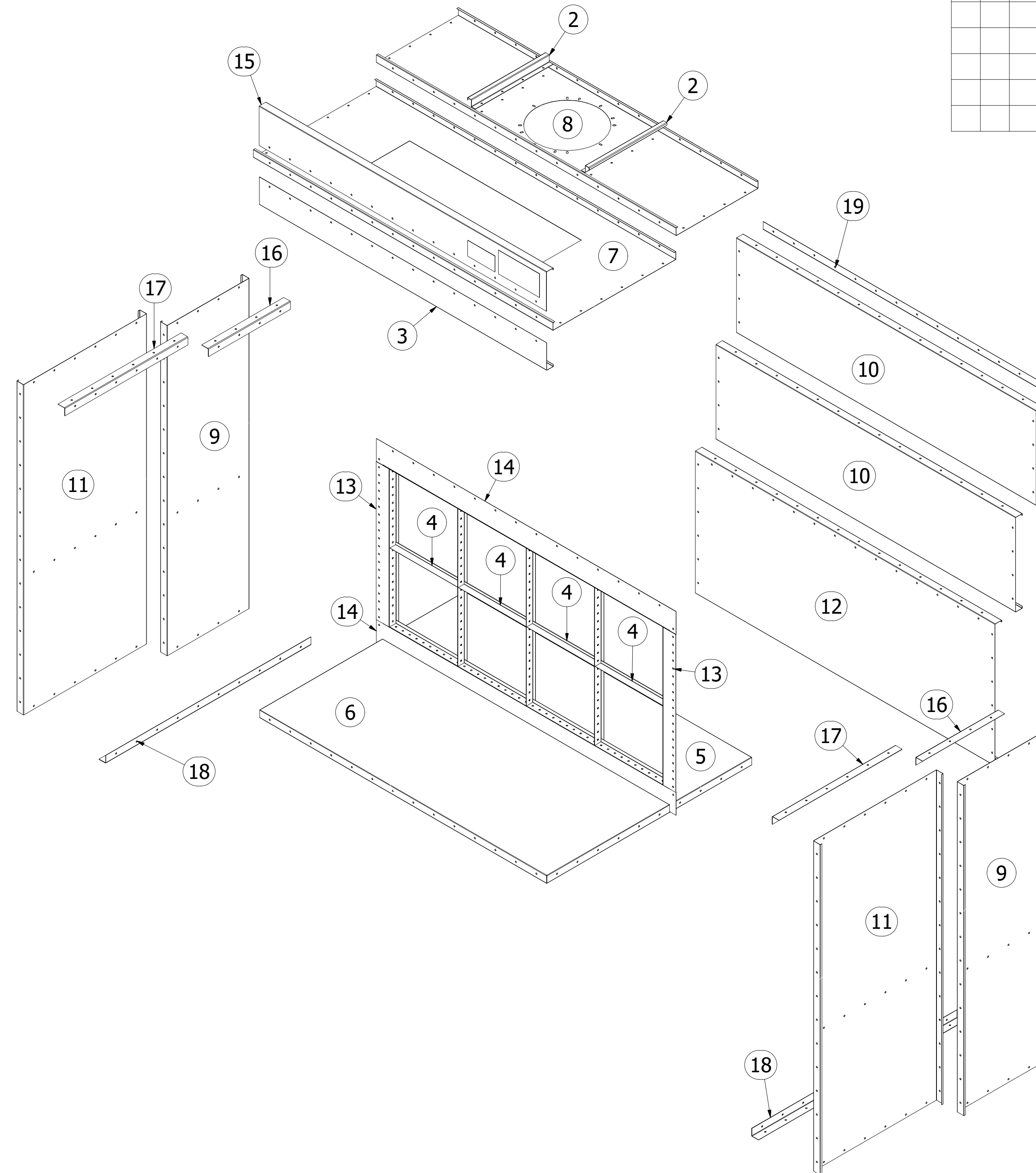
W	B	D	SKID	ITEM	QTY	PART NUMBER	DESCRIPTION	MATERIAL
				1	1	ATA-18-007T3T	FAN, 18 DIA, 3/4HP, TEFC, 3PH, TV	-
				2	2	FBG4-24-WH	FAN BRACE, 1.875 x 22.750	14 GA
				3	1	FCJG8-0840	FIRE CURTAIN, 7.000 X 84.000	18 GA
				4	4	FRAG8-E2-20040	FILTER RACK, EXHAUST, 20 x 40 x 2	
				5	1	PG8DS-24084	PANEL, 24.000 x 84.000	18 GA
				6	1	PG8DS-36084	PANEL, 36.000 x 84.000	18 GA
				7	1	PG8HL-36088-35	PANEL, 36.000 x 87.625	18 GA
				8	1	PG8HR-24088-18-FB	PANEL, 24.000 x 87.625	18 GA
				9	2	PG8HS-24084-BB	PANEL, 24.000 x 83.625	18 GA
				10	2	PG8HS-24088-35	PANEL, 24.000 x 87.625	18 GA
				11	2	PG8HS-36084-BB	PANEL, 36.000 x 83.625	18 GA
				12	1	PG8HS-36088-35-BB	PANEL, 36.000 x 87.625	18 GA
				13	2	PG8JS-04040-0T	PANEL, 3.813 x 40.000	18 GA
				14	2	PG8JS-06088-N15	PANEL, 5.813 x 87.625	18 GA
				15	1	PG8JS-10084-LAW	WARNING PANEL, 10.000 x 84.000	
				16	2	TG4-0240	TIE ANGLE, 2 x 2 x 24	14 GA
				17	2	TG4-0360	TIE ANGLE, 2 x 2 x 36	14 GA
				18	2	TG4-0600	TIE ANGLE, 2 x 2 x 60	14 GA
				19	1	TG4-0840	TIE ANGLE, 2 x 2 x 84	14 GA
				-	1	DU-PLP-18-3-CO	DUCT W/CO DOOR, 18.000 in DIA x 40.000 in LG	18 GA
				-	2	DU-PLP-18-3	PLAIN PIPE, 18.000 DIA x 40.563 LG	18 GA
				-	1	DU-ARV-18	ARV, 18.000	
				-	1	DU-FRF-18-WC	FLANGE ROOF FLAT 18 DIA W/C	



TOP SECTION



FRONT SECTION



FAN INSTALLATION NOTE:
 ROTATE FAN TO ENSURE THAT MOTOR AND BELT ARE MORE THAN 3 FT. FROM ALL BOOTH OPENINGS AND DOORS.

GLOBAL FINISHING SOLUTIONS
 12731 NORWAY ROAD
 OSSEO, WI 54758 USA
 800-848-8738
 globalfinishing.com

IMPORTANT NOTE: This print and all information contained therein is the sole property of Global Finishing Solutions, LLC ("GFS"). It is not to be used or reproduced in any manner or submitted to other parties for examination without the express written approval of GFS pursuant to a fully-executed contract or purchase order for GFS-manufactured equipment. Customer may make and retain copies of the print for information and reference in connection with an equipment order; however, this print is not intended or represented to be suitable for re-use by customer or third parties or extensions of the order, in any other project. Any use without written permission of GFS is prohibited. Without liability to GFS, its affiliates, or agents.
 © Global Finishing Solutions, LLC 2021

SCALE	NTS	DRAWN BY	JO	DATE	6/14/2021	REVIEW BY		REVIEW DATE	
MODEL INFO	DFBCG-070403-NSB-1L								
	BENCH BOOTH - 7'W x 4'H x 3'D								
	OVERALL ASSEMBLY								
SOLD TO	ANA ENGINEERING INC.								
	PO BOX 110519								
	CAMPBELL, CA 95011								
SHIP TO	NELUMBO								
	26225 EDEN LANDING ROAD								
	HAYWARD, CA 94545								
ORDER/SERIAL NUMBER	U130240-A								
DRAWING SET	R01				REVISION	-			
DRAWING	04								