

ELECTRICAL DRAWINGS

CONTROL PANEL

CP-BNP-2010072

SOLD TO

ANA ENGINEERING INC.

FOR

NELUMBO

TABLE OF CONTENTS			
DRAWING	REV	TITLE	DESCRIPTION
01	-	BASIC NON-PRESSURIZED	208/240 VOLT 3PH 4W
02	-	BASIC NON-PRESSURIZED	
03	-	PANEL LAYOUT 20X16	
04	-	BNP-P4	CONTROL PANEL SCHEMATIC

IMPORTANT NOTE: This print and all information contained herein is the sole property of Global Finishing Solutions, LLC ("GFS"). It is not to be used or reproduced in any manner or submitted to other parties for examination without the express written approval of GFS pursuant to a fully-executed contract or purchase order for GFS-manufactured equipment. Customer may make and retain copies of the print for information and reference in connection with an equipment order; however, this print is not intended or authorized for use on any other project. Any use, without written verification by the order or on any other project, is at the customer's sole risk and without liability to GFS, its affiliates, or agents.
© Global Finishing Solutions, LLC 2021

GLOBAL FINISHING SOLUTIONS
12731 NORWAY ROAD
OSSEO, WI 54758 USA
800-848-8738
globalfinishing.com

SHIP TO
NELUMBO
26225 EDEN LANDING ROAD
HAYWARD, CA 94545

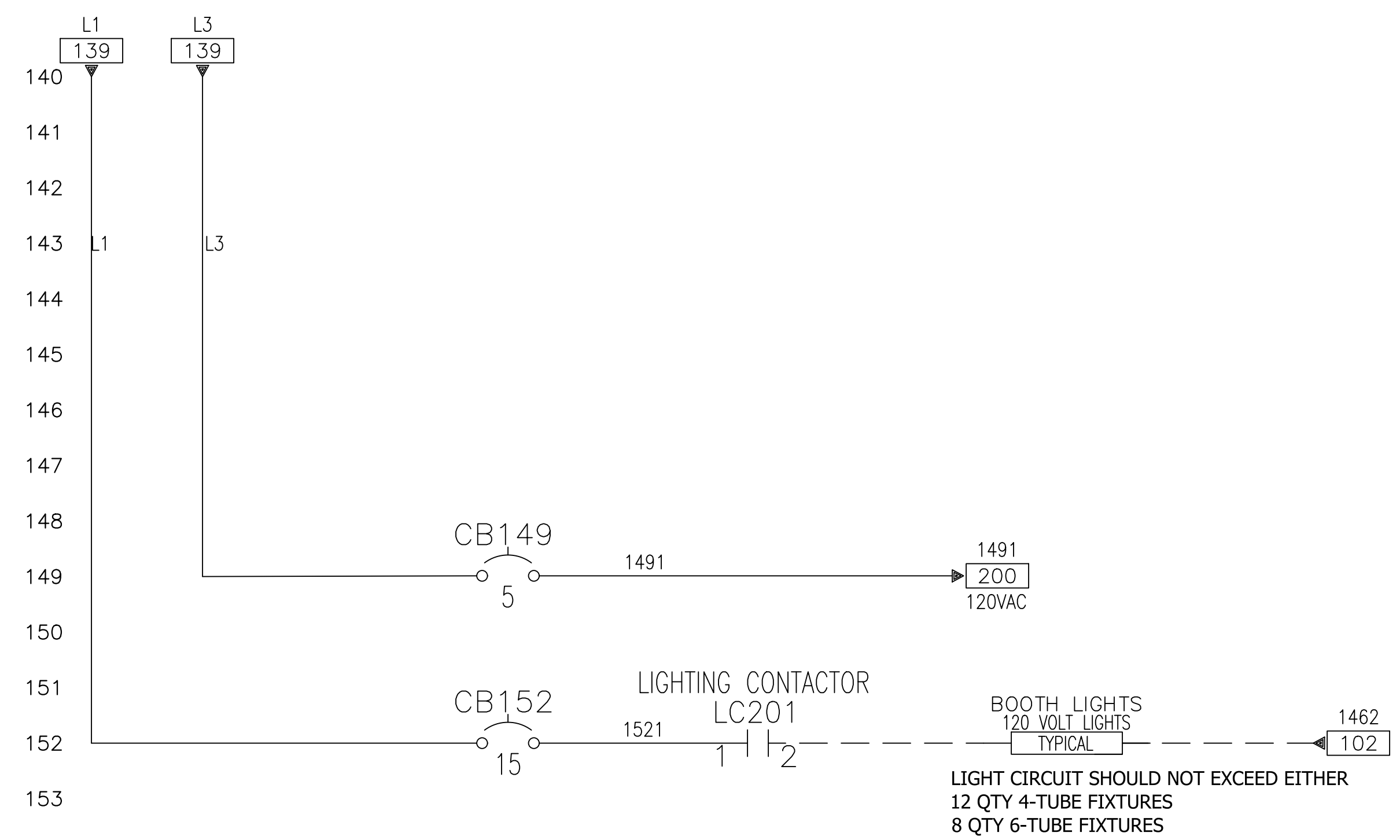
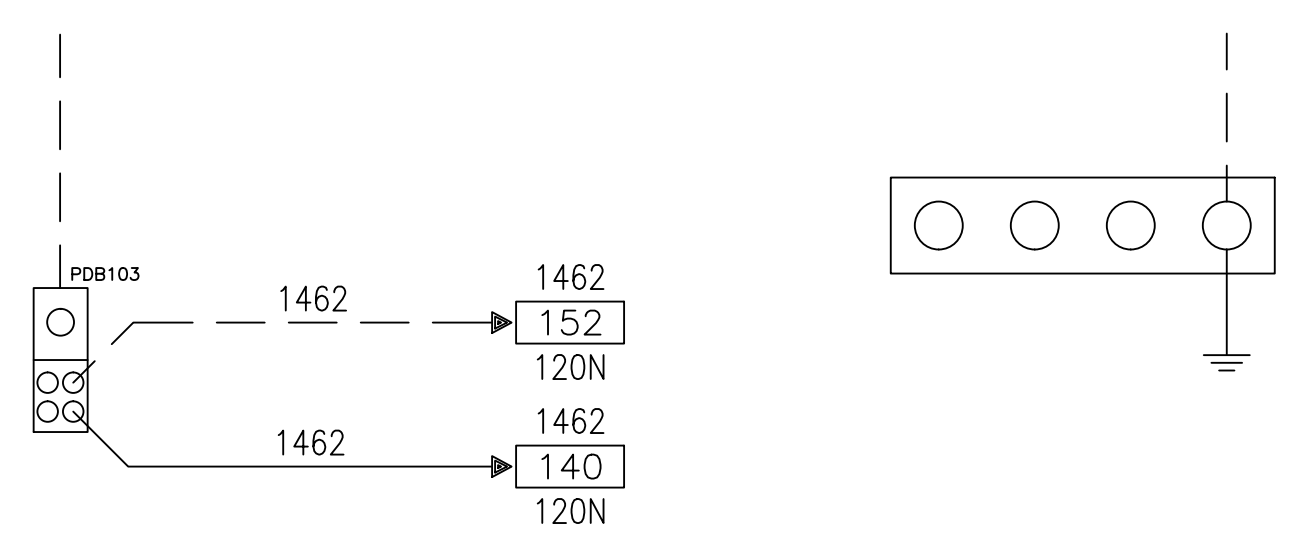
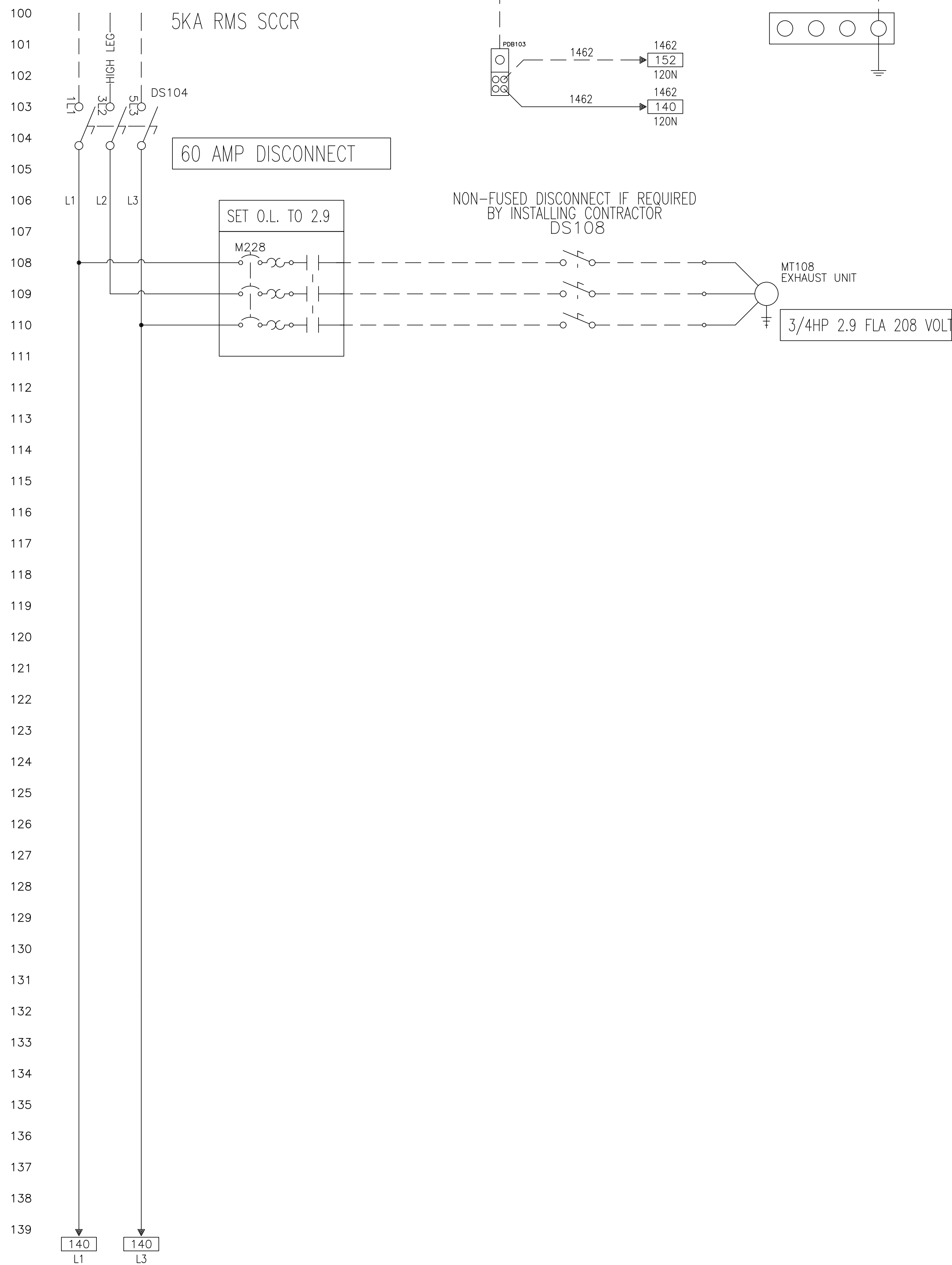
SOLD TO
ANA ENGINEERING INC.
PO BOX 110519
CAMPBELL, CA 95011

ORDER/SERIAL NUMBER
U130240-A

DRAWING SET
R01

REVISION
0

208/120 VOLT 3PH 4 WIRE 60HZ FLA 10



○	DENOTES TERMINAL IN CONTROL PANEL
- -	DENOTES FIELD WIRING
—	DENOTES FACTORY WIRING IN CONTROL PANEL

GLOBAL FINISHING SOLUTIONS
 12731 NORWAY ROAD
 OSSEO, WI 54758 USA
 800-848-8738
 globalfinishing.com

IMPORTANT NOTE: This print and all information contained therein is the sole property of Global Finishing Solutions, LLC ("GFS"). It is not to be used or reproduced in any manner or submitted to other parties for examination without the express written approval of GFS pursuant to a fully-executed contract or purchase order for GFS-manufactured equipment. Customer may make and retain copies of the print for information and reference in connection with an equipment order; however, this print is not intended or represented to be suitable for reuse by customer or others on extensions of the order or on any other project. Any use without written permission is at customer's sole risk and without liability to GFS, its affiliates, or agents.
 © Global Finishing Solutions, LLC 2021

SCALE

DRAWN BY
JO

DATE
6/1/2021

REVIEW BY
jobrien

REVIEW DATE
06/01/2021

SHIP TO
NELUMBO
26225 EDEN LANDING ROAD
HAYWARD, CA 94545

MODEL INFO
BASIC NON-PRESSURIZED
208/240 VOLT 3PH 4W

SOLD TO
ANA ENGINEERING INC.
PO BOX 110519
CAMPBELL, CA 95011

ORDER/SERIAL NUMBER
U130240-A

DRAWING SET
R01

REVISION
-

DRAWING
01

1

2

3

4

140

141

142

143

144

145

146

147

148

149

150

151

152

153

154

155

156

157

158

159

160

161

162

163

164

165

166

167

168

169

170

171

172

173

174

175

176

177

178

179

1462

103

1462

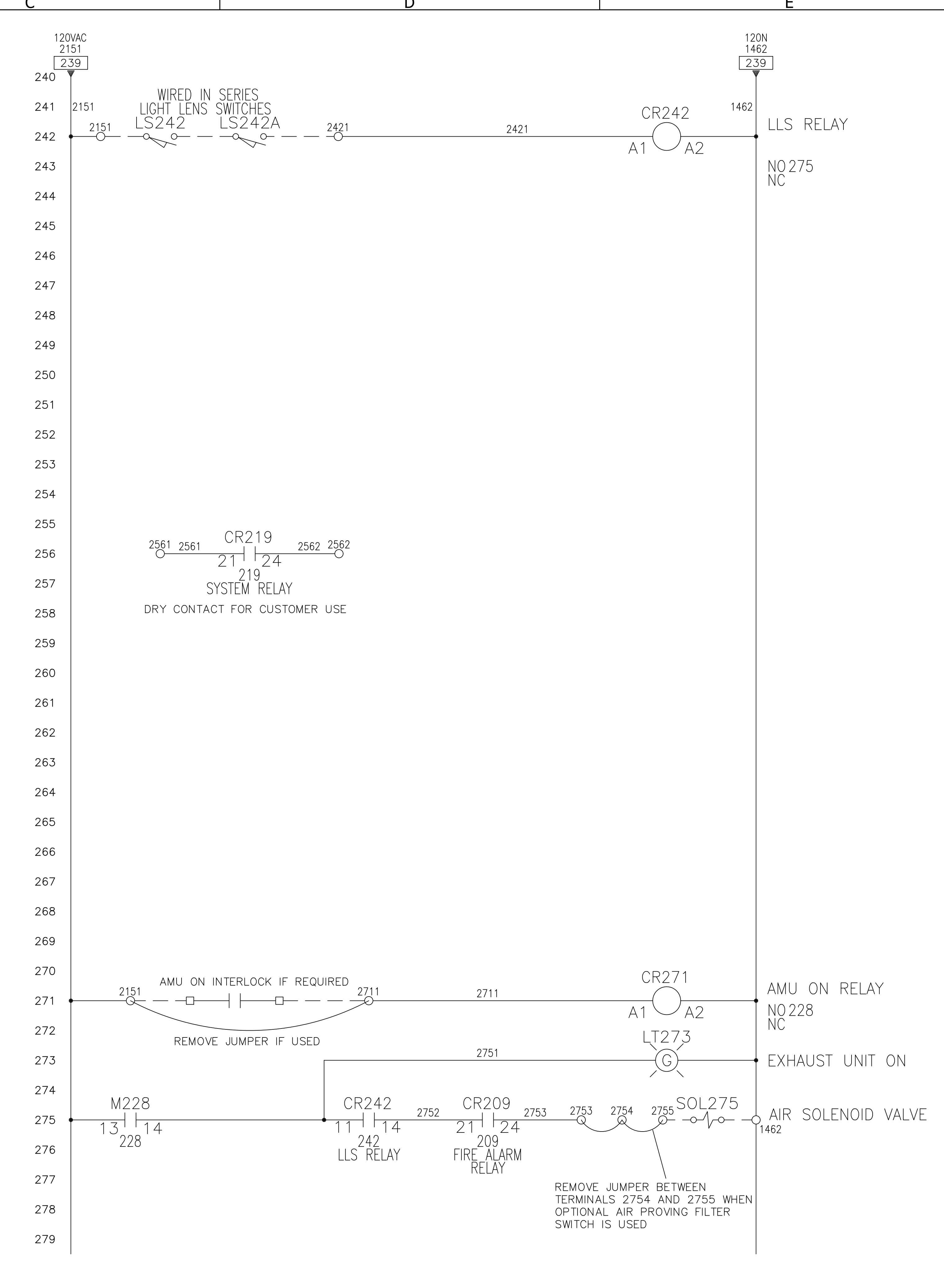
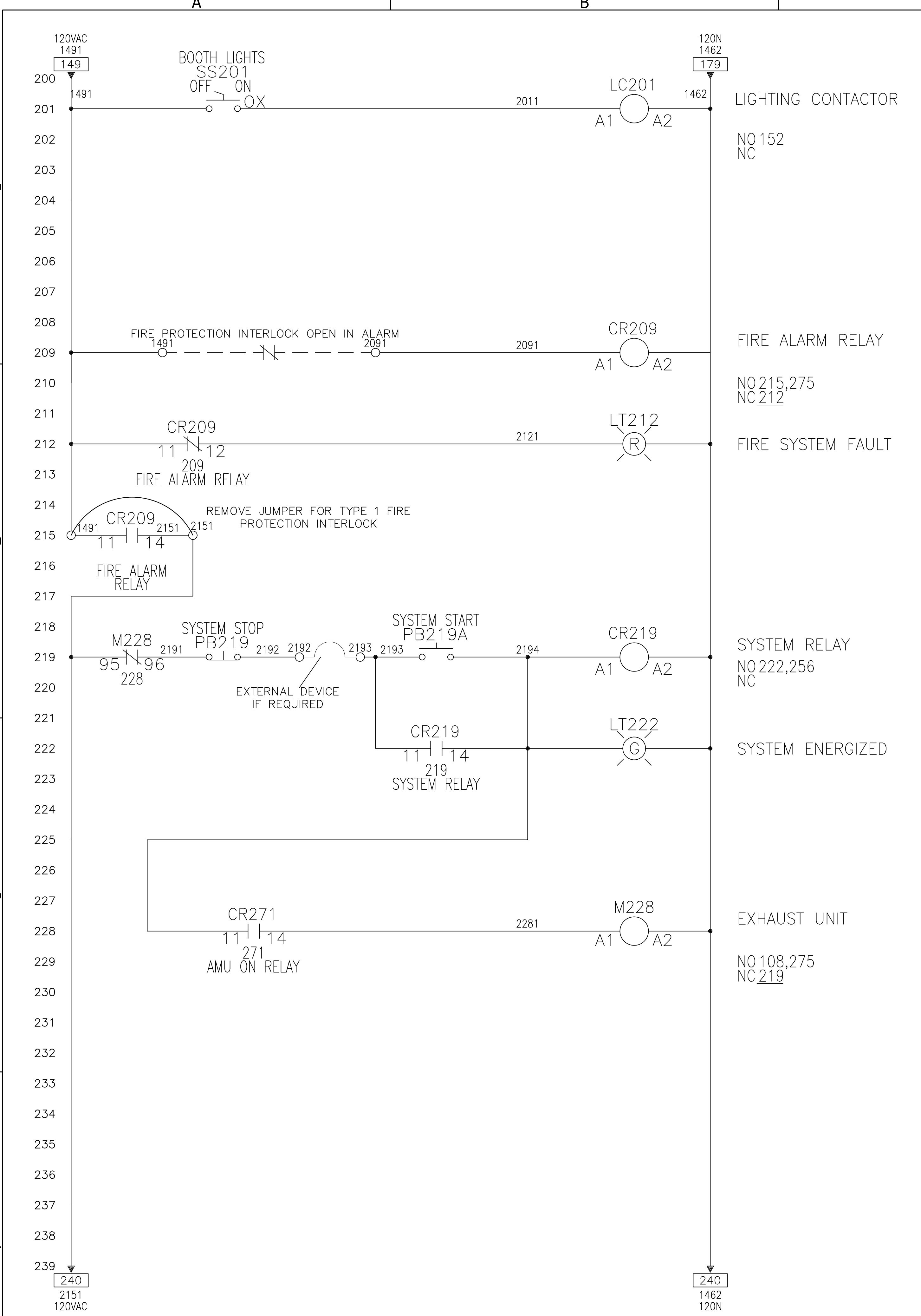
102

1462

200

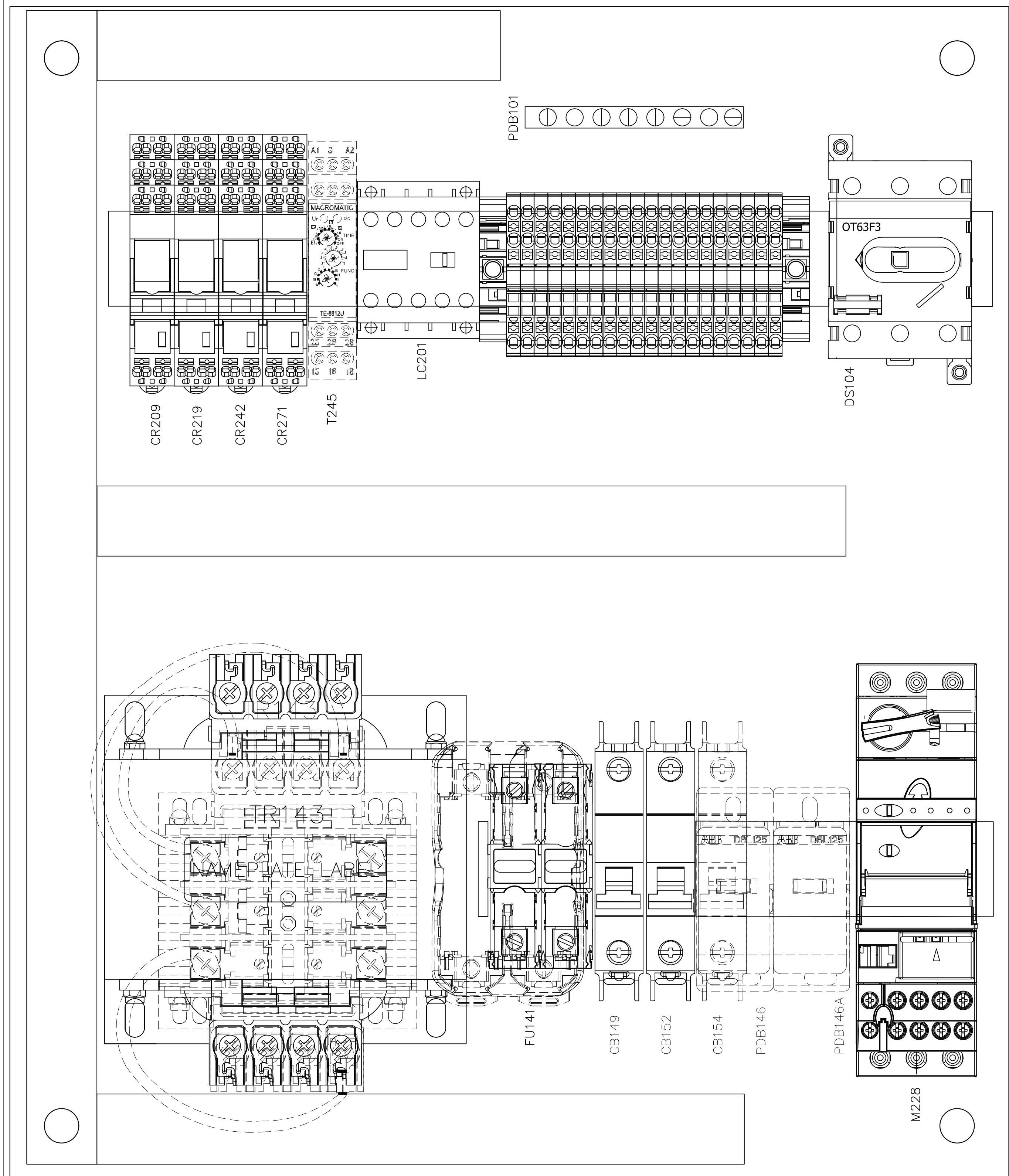
1462

120N



1
2
3
4

GLOBAL FINISHING SOLUTIONS 12731 NORWAY ROAD OSSEO, WI 54758 USA 800-848-8738 globalfinishing.com		<small>IMPORTANT NOTE: This print and all information contained therein is the sole property of Global Finishing Solutions, LLC ("GFS"). It is not to be used or reproduced in any manner or submitted to other parties for examination without the express written approval of GFS pursuant to a fully-executed contract or purchase order for GFS-manufactured equipment. Customer may make and retain copies of the print for information and reference in connection with an equipment order; however, this print is not intended or represented to be suitable for re-use by Customer or others on extensions of the order or on any other project. Any use without written permission is at Customer's sole risk and without liability to GFS, its affiliates, or agents. © Global Finishing Solutions, LLC 2021</small>	
		SCALE	DATE
DRAWN BY	DATE	REVIEW BY	REVIEW DATE
JO	6/1/2021	jobrien	06/01/2021
MODEL INFO		SHIP TO	
BASIC NON-PRESSURIZED		NELUMBO	
ORDER/SERIAL NUMBER		26225 EDEN LANDING ROAD	
U130240-A		HAYWARD, CA 94545	
DRAWING SET		SOLD TO	
R01		ANA ENGINEERING INC.	
DRAWING		PO BOX 110519	
02		CAMPBELL, CA 95011	



NOTE: PARTS BELOW REFLECT POSSIBLE OPTIONS

CIRCUIT BREAKER		
CB149	3 AMP	123-203
CB152	5 AMP	123-205
CB154	10 AMP	123-208
	15 AMP	123-209-D

POWER DISTRIBUTION	
PDB146	118-189
PDB146A	

TIMER	
T245	111-020

TRANSFORMER	
480/240V 250VA	105-019
480/240V 1KVA	105-018
480/240V 2KVA	105-046
575V 1KVA	105-068
575V 2KVA	105-073
208V 1KVA	105-027
208V 2KVA	105-043

TRANSFORMER FUSE	
12A KLDR	103-228
5A KLDR	103-222
20A CLASS J	103-165
10A CLASS J	103-162
9A CLASS J	103-161

FUSE BLOCK		
FU141	2 POLE FUSE BLOCK - CLASS J	103-179
FU141	2 POLE FUSE BLOCK - CLASS KLDR	103-200

DS104	NON-FUSED DISC. SW HANDLE 16-100AMP	109-083
DS104	NON-FUSED DISC SW. SHAFT .2X.2X7.1	109-084
CR209	RELAY BASE/COIL 2-POLE	111-082
CR219		
CR242		
CR271		
CB149	MINI BREAKER 1P 10 AMP	123-208
LC201	CONTACTOR IEC 20A RES K-LINE 120VAC	118-229
PDB101	GROUND BAR KIT 7 SPACE	127-405
PDB146	DISTRIBUTION BLOCK 1POLE 1X6 ABB	118-189
PDB146A		
DS104	NON-FUSED DISC. SW 60AMP	109-081
LT222	PILOT LIGHT 22MM GREEN LED	111-281
LT273		
LT212	PILOT LIGHT 22MM RED LED	111-282
PB219A	PUSH BUTTON IEC 22 MM GREEN N.O.	127-290
PB219	PUSH BUTTON IEC 22MM RED N.C.	127-291
SS201	SELECTOR SWITCH IEC 22MM 2 POC NO	127-292

NOTE: THE MSP IS SET TO THE MOTOR'S FLA

TESYS U MOTOR STARTER	
12 AMP BASE	118-001
32 AMP BASE	118-002
OVERLOAD .3-1.4 AMP	118-049
OVERLOAD 1.25-5 AMP	118-050
OVERLOAD 3-12 AMP	118-051
OVERLOAD 8-32 AMP	118-052

20X16X6

GLOBAL FINISHING SOLUTIONS
 12731 NORWAY ROAD
 OSSEO, WI 54758 USA
 800-848-8738
 globalfinishing.com

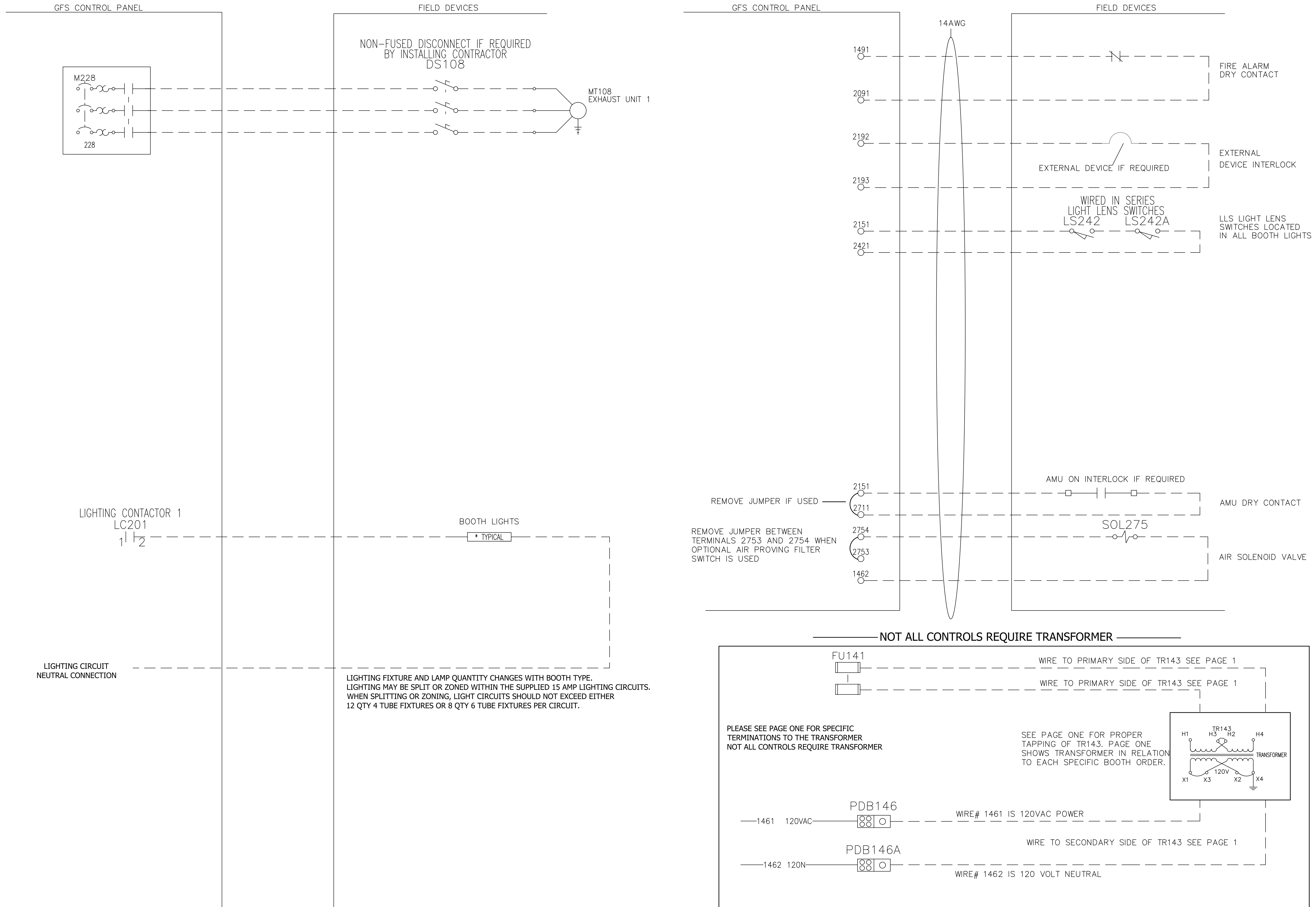
IMPORTANT NOTE: This print and all information contained therein is the sole property of Global Finishing Solutions, LLC ("GFS"). It is not to be used or reproduced in any manner or submitted to other parties for examination without the express written approval of GFS pursuant to a fully-executed contract or purchase order for GFS-manufactured equipment. Customer may make and retain copies of the print for information and reference in connection with an equipment order; however, this print is not intended or represented to be suitable for reuse by Customer or others on extensions of the order or on any other project. Any use without written permission is at Customer's sole risk and without liability to GFS, its affiliates, or agents.
 © Global Finishing Solutions, LLC 2021

SCALE	DRAWN BY	DATE	REVIEW BY	REVIEW DATE
	JO	6/1/2021	jobrien	06/01/2021

MODEL INFO	SHIP TO
PANEL LAYOUT 20X16	NELUMBO 26225 EDEN LANDING ROAD HAYWARD, CA 94545
SOLD TO	ANA ENGINEERING INC. PO BOX 110519 CAMPBELL, CA 95011

ORDER/SERIAL NUMBER	
U130240-A	
DRAWING SET	REVISION
R01	-
DRAWING	
03	

FIELD CONNECTION DIAGRAM



GLOBAL FINISHING SOLUTIONS 12731 NORWAY ROAD OSSEO, WI 54758 USA 800-848-8738 globalfinishing.com	
<small>IMPORTANT NOTE: This print and all information contained therein is the sole property of Global Finishing Solutions, LLC ("GFS"). It is not to be used or reproduced in any manner or submitted to other parties for examination without the express written approval of GFS pursuant to a fully-executed contract or purchase order for GFS-manufactured equipment. Customer may make and retain copies of the print for information and reference in connection with an equipment order; however, this print is not intended or represented to be suitable for re-use by customer or others on extensions of the order or on any other project. Any use without written permission is at Customer's sole risk and without liability to GFS, its affiliates, or agents. © Global Finishing Solutions, LLC 2021</small>	
SCALE	NTS
DRAWN BY	JO
DATE	6/1/2021
REVIEW BY	jobrien
REVIEW DATE	06/01/2021
SHIP TO	NELUMBO 26225 EDEN LANDING ROAD HAYWARD, CA 94545
SOLD TO	ANA ENGINEERING INC. PO BOX 110519 CAMPBELL, CA 95011
MODEL INFO	BNP-P4
CONTROL PANEL SCHEMATIC	
ORDER/SERIAL NUMBER U130240-A	
DRAWING SET	REVISION
R01	-
DRAWING 04	