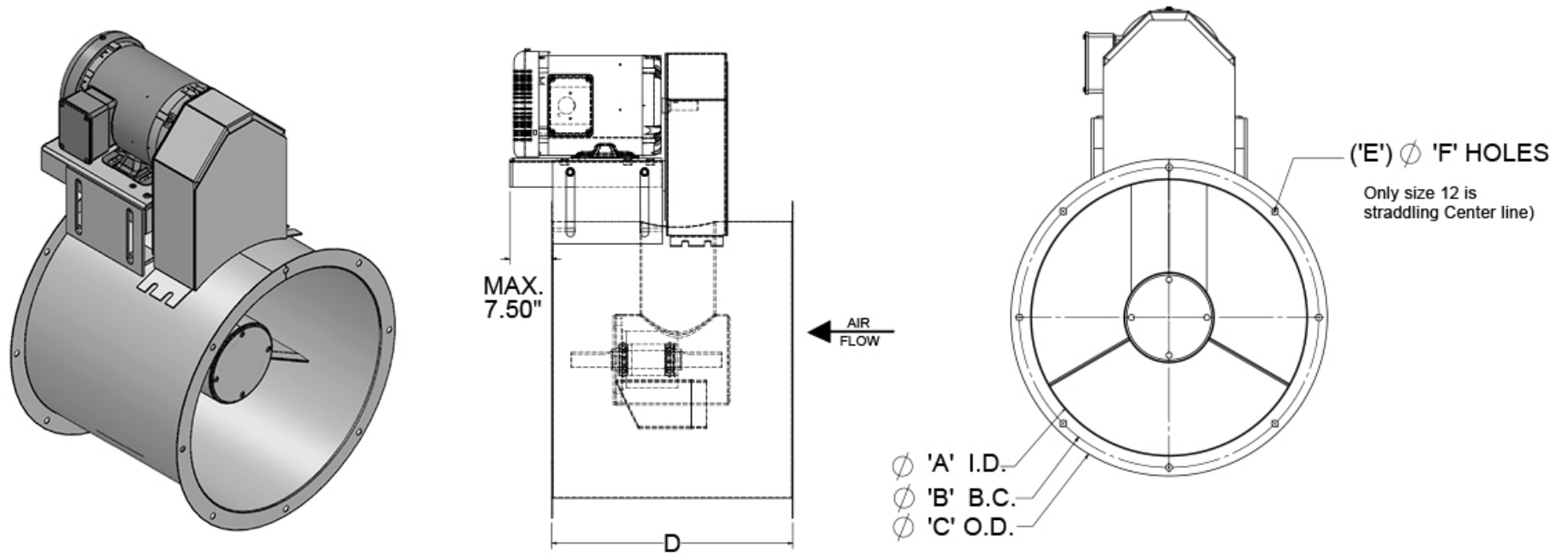




GLOBAL FINISHING SOLUTIONS
 12731 Norway Road • Osseo, Wisconsin 54758
 800-848-8738

18" TUBE AXIAL FAN

GFS Model No: ATA-18-007



Fan Dimensions							Max Motor	Appx. Weight (LMD)
'A'	'B'	'C'	'D'	'E'	'F'	'G'		
18.25	19.50	21.00	18.00	8	7/16	4.00	184T	70



GLOBAL FINISHING SOLUTIONS
 12731 Norway Road • Osseo, Wisconsin 54758
 800-848-8738

18" TUBE AXIAL FAN

GFS Model No: ATA-18-007

Drive Components		GFS #
Motor Sheave	1VP34 x 5/8"	PVP-283610
Fan Sheave	BK34H	213-402
Bushing x Bore	H x 1"	213-502
(QTY) Belt	(1) A37	211-202
Belt Deflection	0.23 in	

Motor	
HP	3/4
Speed	1800
Frame Size	56
Shaft Dia	5/8"

TEFC	XPFC	
MT007-DV1-0056	MX007-DV1-0056	1 phase
MT007-TV3-0056	MX007-TV3-0056	3 phase
MT007-573-0056	MX007-573-0056	575V 3 phase

Fan Speed	Turns Open	Static Pressure Rating (in. w.c.)							
		0	0.25	0.375	0.5	0.75	1	1.25	1.5
Volumetric Flow (ft3 / min)									

1260	5	2875	2290	1900					
1320	4.5	3000	2465	2100					
1380	4	3145	2635	2311					
1440	3.5	3275	2795	2500	2135				
1500	3	3400	2960	2685	2360				
1560	2.5	3540	3110	2860	2550				
1620	2	3690	3270	3025	2755				
1680	1.5	3825	3430	3190	2935				
1740	1	3960	3580	3360	3120	2505			
1800	1/2	4095	3730	3525	3305	2750			
1860	0	4241	3890	3685	3460	2965			

