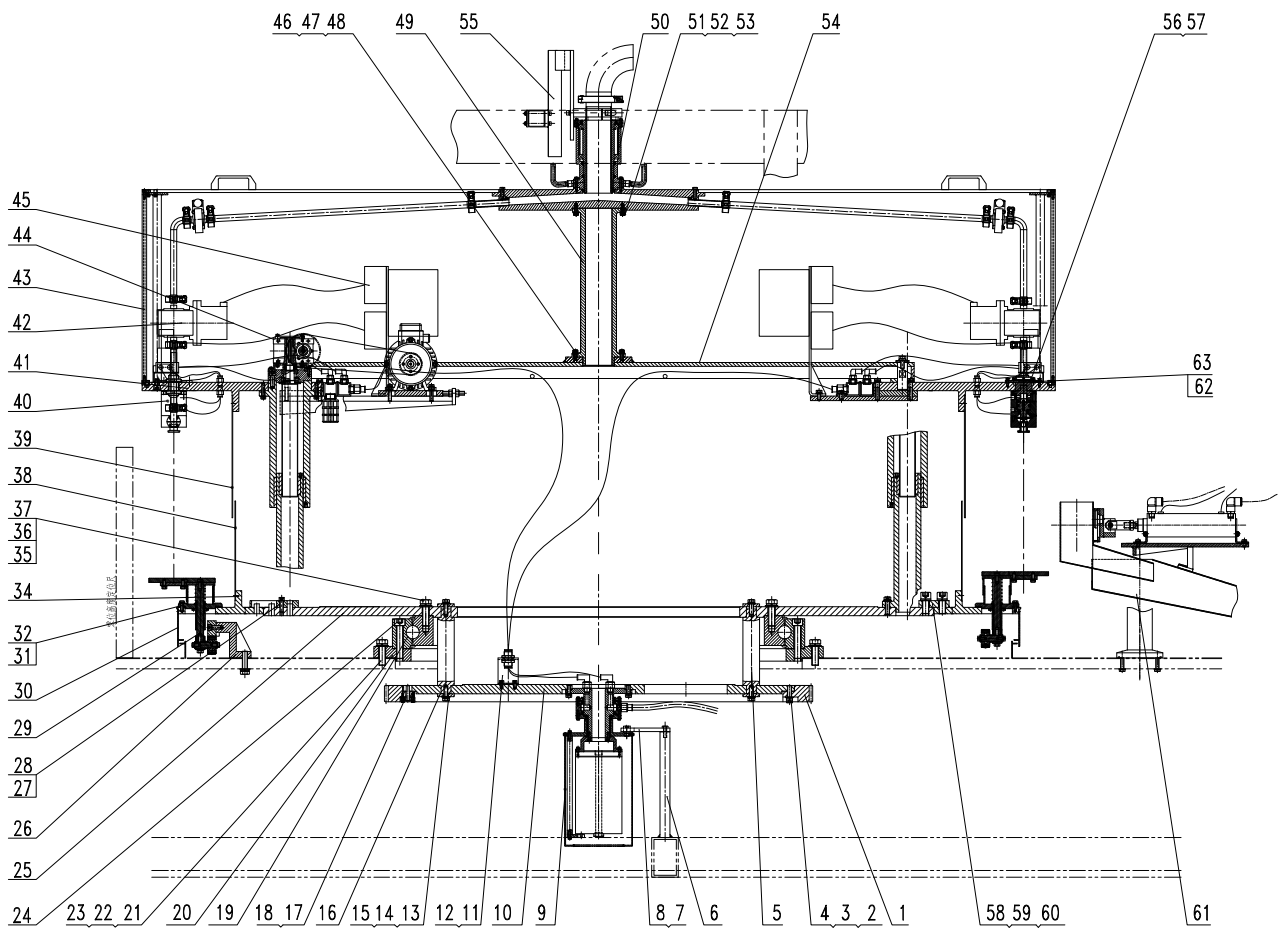


CB1. 10

Mechanical Drawing



TECH-LONG
Runs for you!



TECH-LONG
 Runs for you!

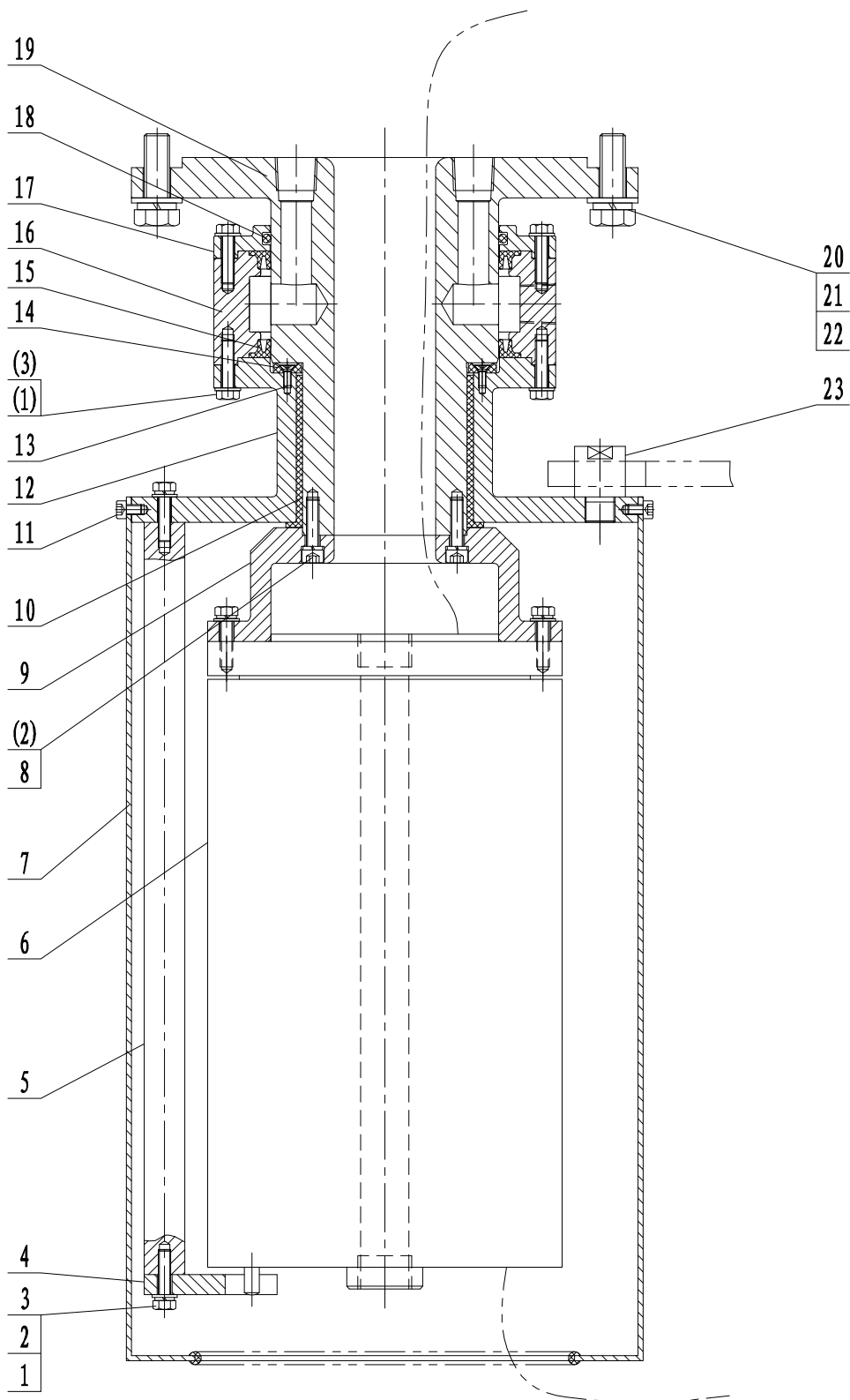
TFC4016. 64A. 02E
 Filler

No.	Code	Description	名称	QTY.	Remark
1	TFC4016.64A.02-01	Gear	齿轮	1	
2	GB/T70.1	Screw M12×40	螺钉M12×40	8	
3	GB/T97.1	Washer 12	垫圈12	8	
4	GB/T93	Spring Washer 12	弹垫12	8	
5	TFC4016.64A.02-02	Supporting Post	支撑柱	8	
6	TFC4016.64A.02-03	Post	支柱	1	
7	TFC4016.64A.02-04	Plate	防转板	1	
8	GB/T5783	Bolt M10×30	螺栓M10×30	2	
9	TFC4016.64A.02.05A	Lower Distributor	下分配器	1	
10	TFC4016.64A.02-06	Carousel	转盘	1	
11	TFC4016.64A.02-07	Plate	支板	1	
12	GB/T70.1	Screw M8×12	螺钉M8×12	4	
13	GB/T5783	Bolt M12×35	螺栓M12×35	16	
14	GB/T97.1	Washer 12	垫圈12	16	
15	GB/T93	Spring Washer 12	弹垫12	16	
16	TFC4016.64A.02-08	Washer	垫圈	16	
17	TFC4016.64A.02.09	Plate	定位销板	1	
18	GB/T70.1	Screw M5×25	螺钉M5×25	2	
19	DGXB16.02-07	Supporter	四点接触回转支承	1	
20	DGXB16.02-08	Centering Ring	支承定位环	1	
21	GB/T5783	Bolt M20×65	螺栓M20×65	18	
22	GB/T97.1	Washer 20	垫圈20	18	
23	GB/T93	Spring Washer 20	弹垫20	18	
24	GB/T70.1	Screw M20×100	螺钉M20×100	36	
25	TFC4016.64A.02.11	Rotary Tray	旋转盘	1	
26	TFC4016.64A.02.12	Guide Rail Assembly	导轨组件	1	
27	TFC4016.64A.02-13	Centering Block	定位块	1	
28	GB/T70.1	Screw M10×35	螺钉M10×35	1	
29	TFC4016.64A.02C.01	Bottle Supporting Device	托瓶装置	40	
30	TFC4016.64A.02.15	Frame 1	围板1	1	
31	GB/T5783	Bolt M8×30	螺栓M8×30	120	
32	GB/T97.1	Washer 8	垫圈8	120	
34	TFC4016.64A.02A.16	Lower Carousel	下转盘	1	



No.	Code	Description	名称	QTY.	Remark
35	GB/T5783	Bolt M20 × 65	螺栓M20 × 65	18	
36	GB/T97.1	Washer 20	垫圈20	18	
37	GB/T93	Spring Washer 20	弹垫20	18	
38	TFC4016.64A.02.17	Frame 2	围板2	1	
39	TFC4016.64A.02.18	Frame 3	围板3	1	
40	QB/D30800E	Filling Valve	灌装阀	40	
41	TFC4016.64A.02A.19	Upper Carousel	上转盘	1	
42	TFC4016.64A.02A.20	Volumetric Filling Device	定量灌装装置	40	
43	TFC4016.64A.02A.21	Frame	围框	1	
44	TFC4016.64A.02E.01	Lifting Device	升降装置	1	
45	TFC4016.64A.02C.02	Electric Control System	电气控制系统	1	
46	GB/T5783	Bolt M8 × 25	螺栓M8 × 25	6	
47	GB/T97.1	Washer 8	垫圈8	6	
48	GB/T93	Spring Washer	弹垫8	6	
49	TFC4016.64A.02.24	Post	大支撑柱	1	
50	TFC4016.64A.02.25A	Upper Distributor	上分配器	1	
51	GB/T5783	Bolt M8 × 25	螺栓M8 × 25	6	
52	GB/T97.1	Washer 8	垫圈8	6	
53	GB/T93	Spring Washer 8	弹垫8	6	
54	TFC4016.64A.02.26	Plate	支撑板	1	
55	TFC4016.64A.02A.31	Anti-Rotation Device	上分配器防转装置	1	
56	TFC4016.64A.02A-28	Cover Plate 1	盖板1	40	
57	GB/T70.1	Screw M6 × 16	螺钉M6 × 16	80	
58	TFC4016.64A.02-29	Fibula Block	搭块	8	
59	GB/T70.1	Screw M20 × 45	螺钉M20 × 45	16	
60	GB/T93	Spring Washer 20	弹垫20	16	
61	TFC4016.64A.02.30A	CIP Solution Guide	CIP导流装置	1	
62	GB/T70.1	Screw M5 × 10	螺钉M5 × 10	160	
63	TFC4016.64A.02A.32	Bracket	支架	40	

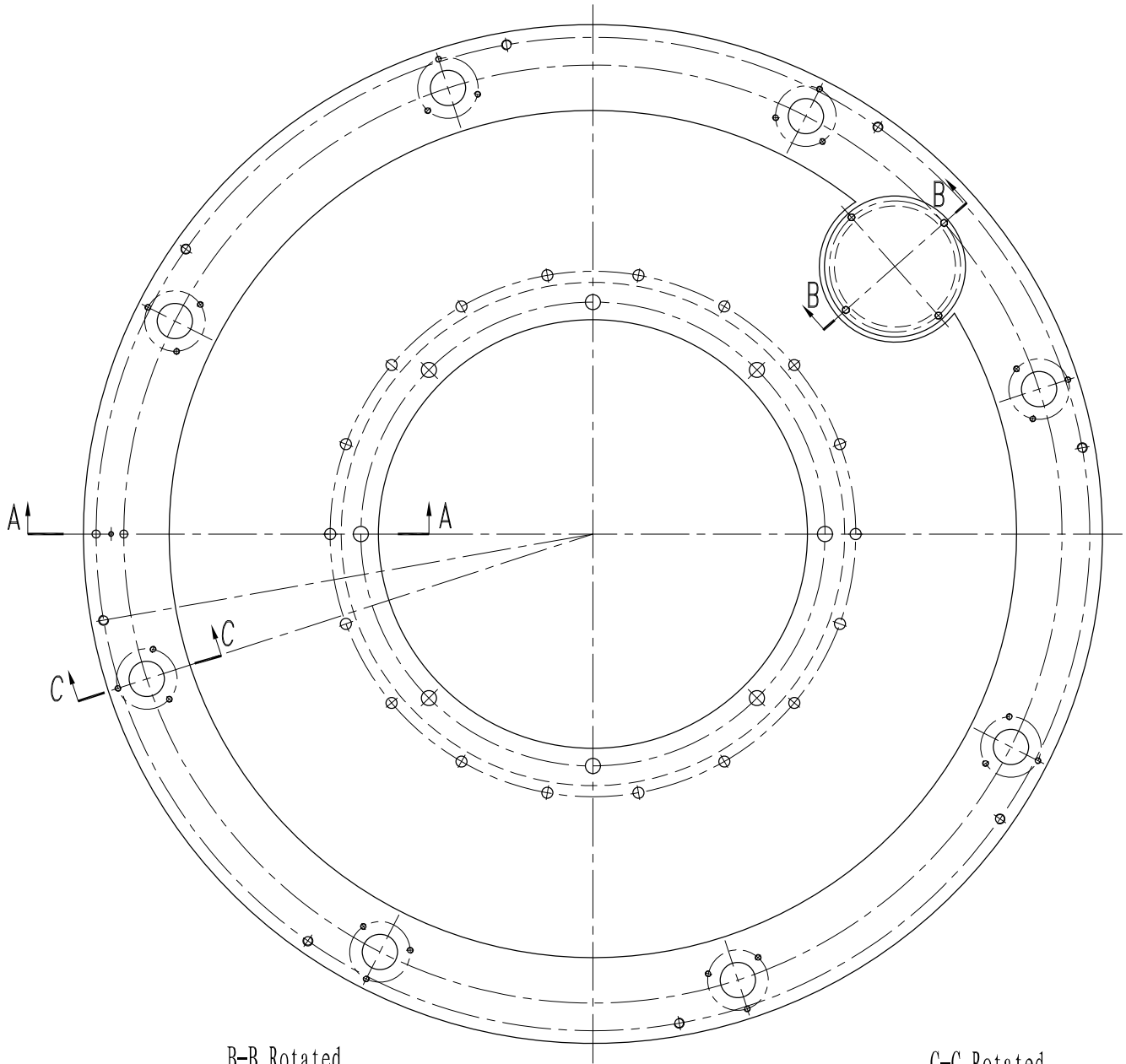
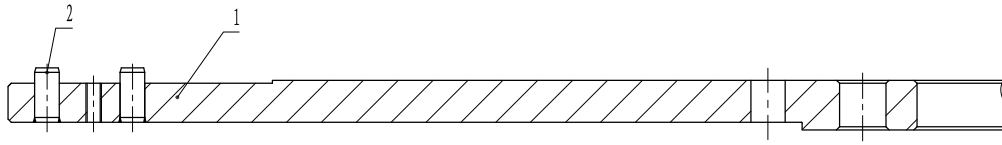




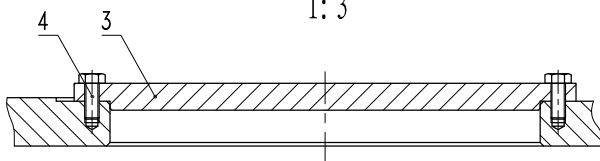
No.	Code	Description	名 称	QTY.	Remark
1	GB/T5783	Bolt M5 × 20	螺栓M5 × 20	18	
2	GB/T93	Spring Washer 5	弹垫5	16	
3	GB/T97.1	Washer 5	平垫圈5	18	
4	DGXB16.02.04-01	Plate	叉板	1	
5	DGXB16.02.04-02	Column	支柱	1	
6	G300 (PE+A+M+K)	Ring	滑动环	1	SCHLEIFRING
7	DGXB16.02.04-03	Plate	保护罩	1	
8	GB/T70.1	Screw, Hex Head M5 × 20	内六角螺钉M5 × 20	6	
9	DGXB16.02.04-04	Flange	连接法兰	1	
10	WFM-6570-60	Flanged Bearing	法兰轴承	1	IGUS
11	GB/T70.1	Screw, Hex Head M4 × 6	内六角螺钉M4 × 6	4	
12	DGXB16.02.04-05	Shell 1	外壳1	1	
13	GB/T819.2	Screw M3 × 8	十字槽沉头螺钉M3 × 8	4	
14	DGXB16.02.04-06	Block	耐磨环	1	
15	TVM300900-M30S	Seal	特康旋转泛塞密封	2	B+S
16	TFC4016.64A.02.05-01	Shell 2	外壳2	1	
17	DGXB16.02.04-08	Shell 3	外壳3	1	
18	GB/T3452.1	O Seal 90 × 3.55	O型密封圈90 × 3.55	1	
19	DGXB16.02.04-09	Shaft	内轴	1	
20	GB/T5783	Bolt M10 × 30	螺栓M10 × 30	4	
21	GB/T97.1	Washer 10	平垫圈10	4	
22	GB/T93	Spring Washer 10	弹垫10	4	
23	DGXB16.02.04-10	Column 2	支柱2	1	



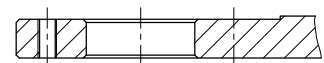
A-A
1:3



B-B Rotated
1:3



C-C Rotated
1:3



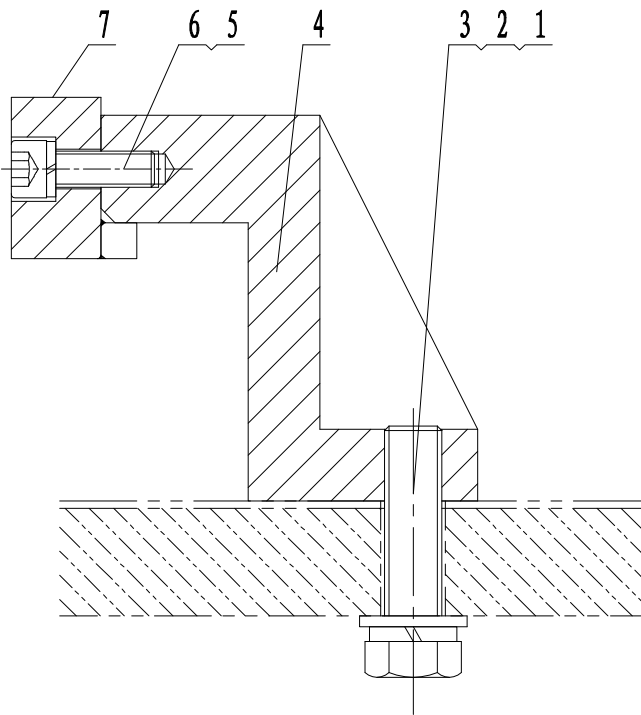
TECH-LONG
Runs for you!

TFC4016. 64A. 02. 11
Rotary Plate

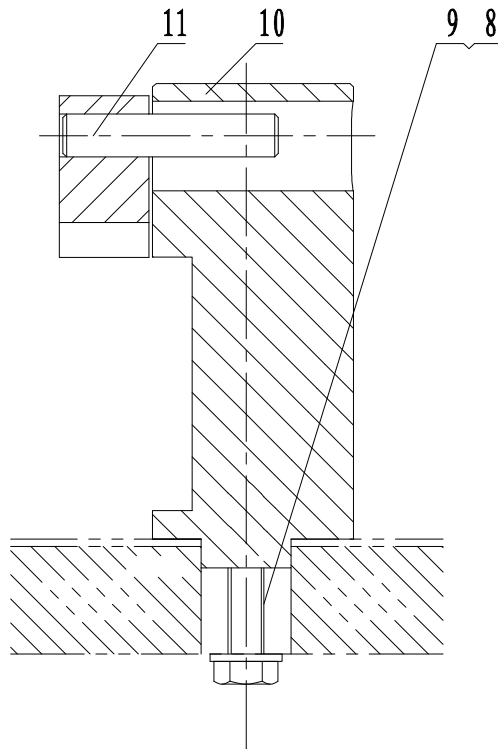
No.	Code	Description	名称	QTY.	Remark
1	TFC4016.64A.02.11-01	Carousel	转盘	1	
2	GB/T119	Pin 16m6 × 35	销16m6 × 35	2	
3	DGXB16.02-27	Cover Plate 2	盖板2	1	
4	GB/T5783	Bolt M8 × 20	螺栓M8 × 20	4	

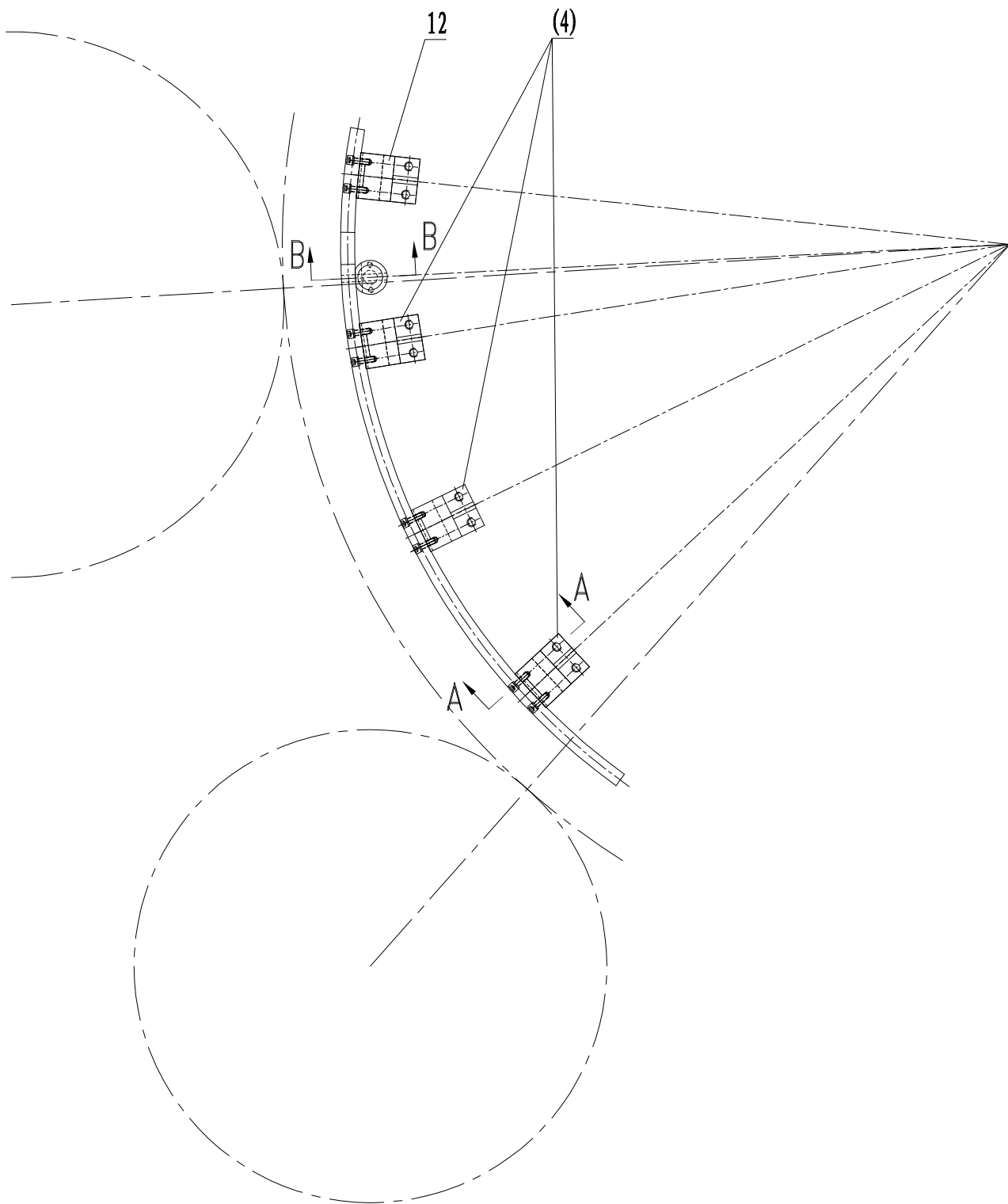


A-A Rotated



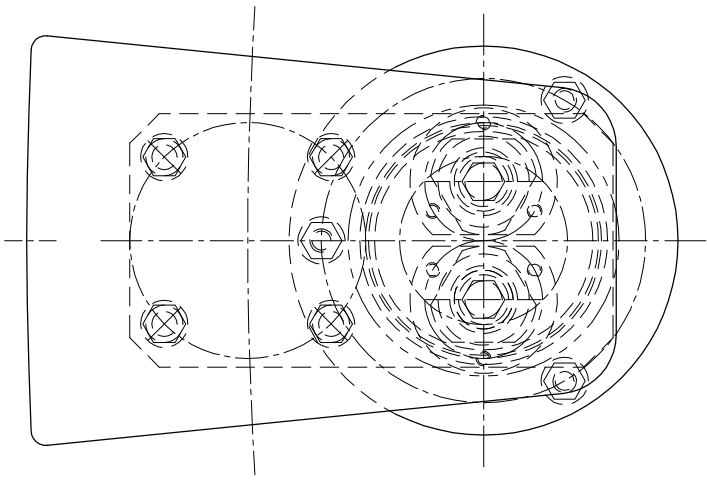
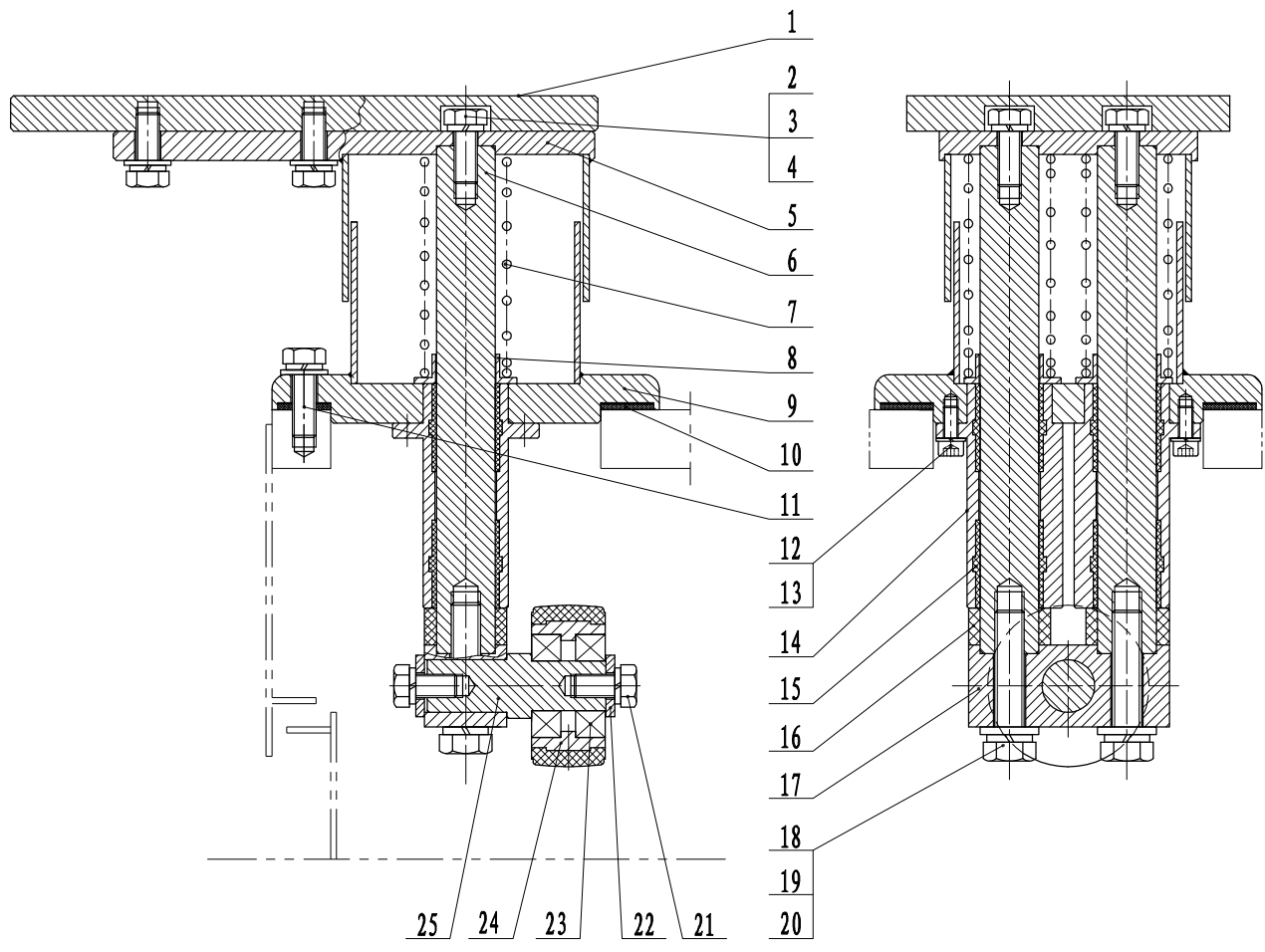
B-B Rotated





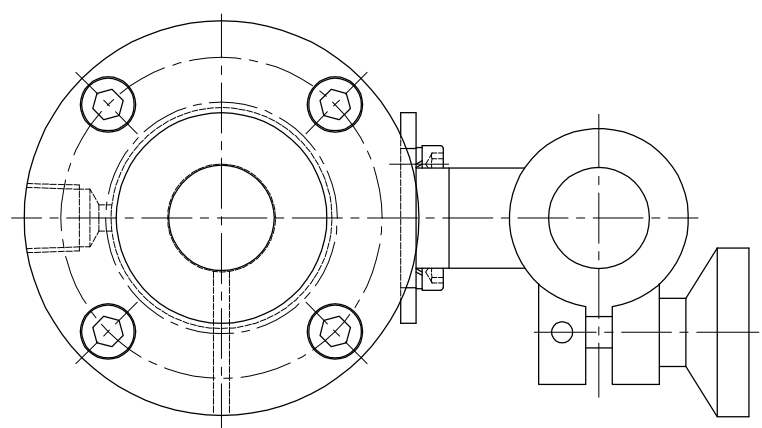
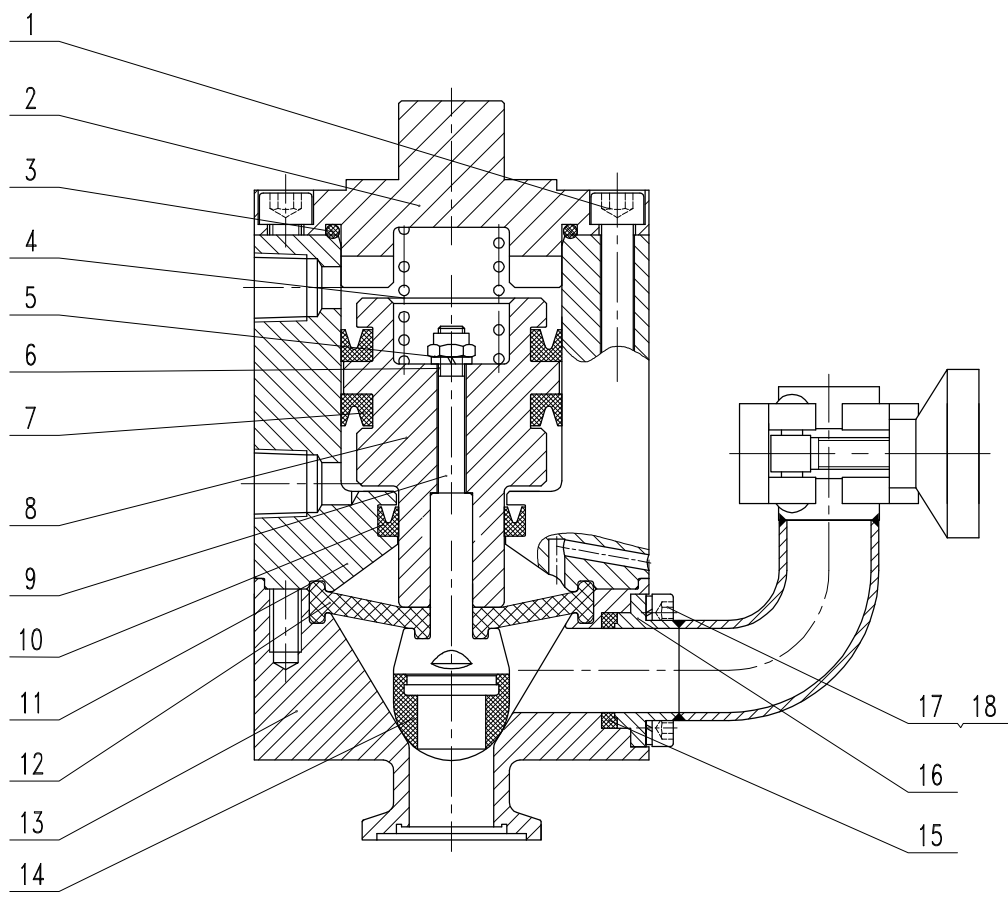
No.	Code	Description	名 称	QTY.	Remark
1	GB/T5783	Bolt M16 × 60	螺栓M16 × 60	8	
2	GB/T97.1	Washer 16	平垫圈16	8	
3	GB/T93	Spring Washer 16	弹垫16	8	
4	TFC4016. 64A. 02. 12-01	Bracket 1	支架1	3	
5	GB/T70.1	Screw, Hex Head M10 × 30	内六角螺钉M10 × 30	6	
6	GB/T93	Spring Washer 10	弹垫10	6	
7	TFC4016. 64A. 02. 12. 02	Guide Rail	导轨	1	
8	GB/T5783	Bolt M10 × 50	螺栓M10 × 50	2	
9	GB/T97.1	Washer 10	平垫圈10	2	
10	DGXB16. 02. 26-03	Plate	定位柱	1	
11	GB/T119.1	Pin 12m6 × 60	销12m6 × 60	1	
12	TFC4016. 64A. 02. 12-03	Bracket 2	支架2	1	





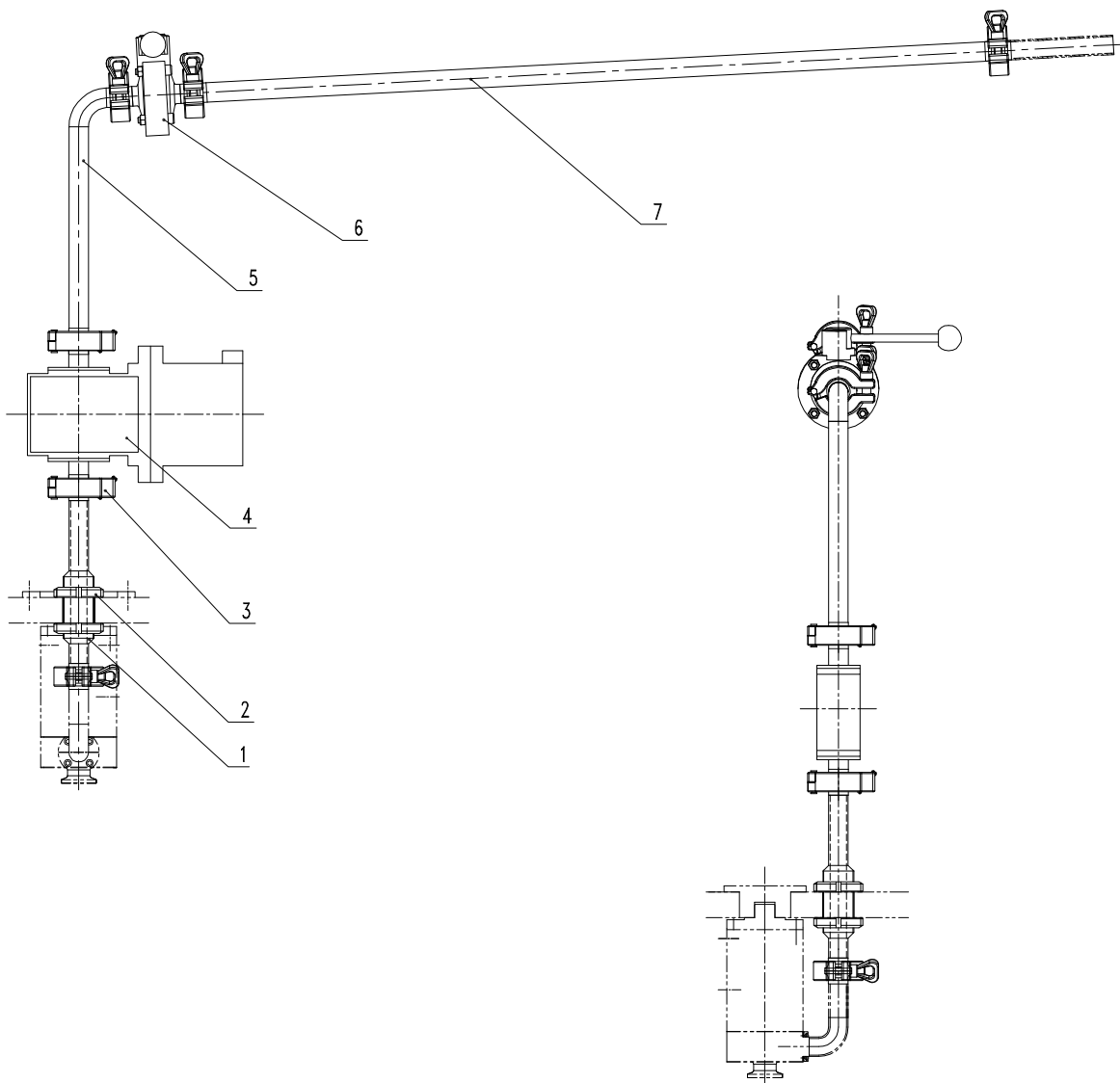
No.	Code	Description	名称	QTY.	Remark
1	TFC4016.64A.02C.01-01	Supporting Plate	托板	1	
2	GB/T 5783	Screw M8 × 20	螺钉 M8X20	6	
3	GB/T 93	Washer 8	垫圈 8	11	
4	GB/T 97.1	Spring Washer 8	垫圈 8	7	
5	TFC4016.64A.02C.01.02	Connection Plate	连接板	1	
6	TFC4016.64A.02C.01-03	Shaft	导轴	2	
7	TFC4016.64A.02C.01-04	Spring	压簧	2	
8	TFC4016.64A.02C.01-05	Spring Seat	压簧座	2	
9	TFC4016.64A.02C.01.06	Base Seat	底座	1	
10	TFC4016.64A.02A.14-16	Gasket	垫	1	
11	GB/T 5783	Bolt M8 × 25	螺栓 M8 × 25	3	
12	GB/T 70.1	Bolt M5 × 12	螺栓 M5X12	6	
13	GB/T 93	Washer 5	垫圈 5	6	
14	TFC4016.64A.02B.01-01	Bearing Seat	轴承座	2	
15	JUM-02-20	Bearing	直线轴承	4	
16	TFC4016.64A.02.14-08	Buffer Gasket	缓冲垫	2	
17	TFC4016.64A.02C.01-07	Mounting Block	安装块	1	
18	GB/T 5783	Screw M10 × 45	螺钉 M10X45	2	
19	GB/T 93	Washer 10	垫圈 10	2	
20	GB/T 97.1	Spring Washer 10	垫圈 10	2	
21	GB/T 5783	Bolt M8 × 16	螺栓 M8X16	2	
22	TFC4016.64A.02.14-10	Plate	轴端挡板	2	
23	GB/T 276	Bearing 6003-2LS	轴承 6003-2LS	2	
24	TFC4016.64A.02.14.11	Roller	滚轮	1	
25	TFC4016.64A.02C.01-08	Small Shaft	小轴	1	



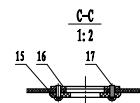
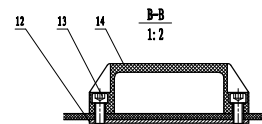
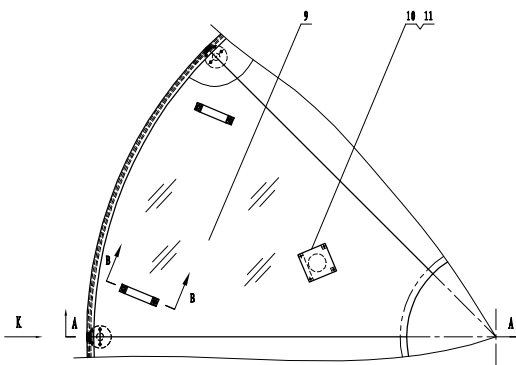
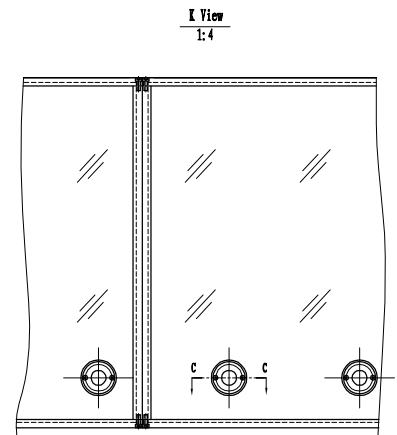
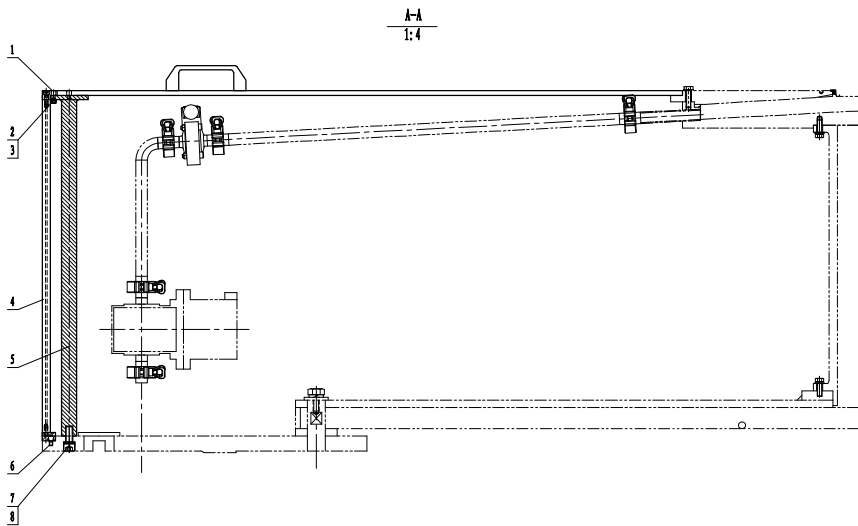


No.	Code	Description	名称	QTY.	Remark
1	GB/T70.1	Screw M6X80	螺钉M6×80	4	
2	QB/D30800D-09	Spring Seat	弹簧座	1	
3	GB/T3452.1	O Seal 42.5X2.65	O型密封圈42.5×2.65	1	
4	QB/D30800D-01	Spring	弹簧	1	
5	GB/T6172.2-2000	Nut M5	螺母 M5	1	
6	GB/T93	Washer 5	垫圈 5	1	
7	APDE10420-WU9E1	Y Seal	Y型密封圈	2	
8	QB/D30800E-01	Lever	活动杆	1	
9	QB/D30800D-03	Valve Stem	阀杆	1	
10	ARUP00200-WU9E1	Y Seal	Y型密封圈	1	
11	QB/D30800D-04	Sniff Block	阀座	1	
12	QB/D30800D-05	Diaphragm	隔膜	1	
13	QB/D30800D-06	Valve Head	阀头	1	
14	QB/D30800D-07	Seal Ring	密封环	1	
15	QB/D30802	Gasket	密封垫	1	
16	QB/D30800D.08	Infeed Tube	进液管	1	
17	GB/T93	Washer 4	垫圈4	4	
18	GB/T70.1	Screw M4X10	螺钉 M4×10	4	



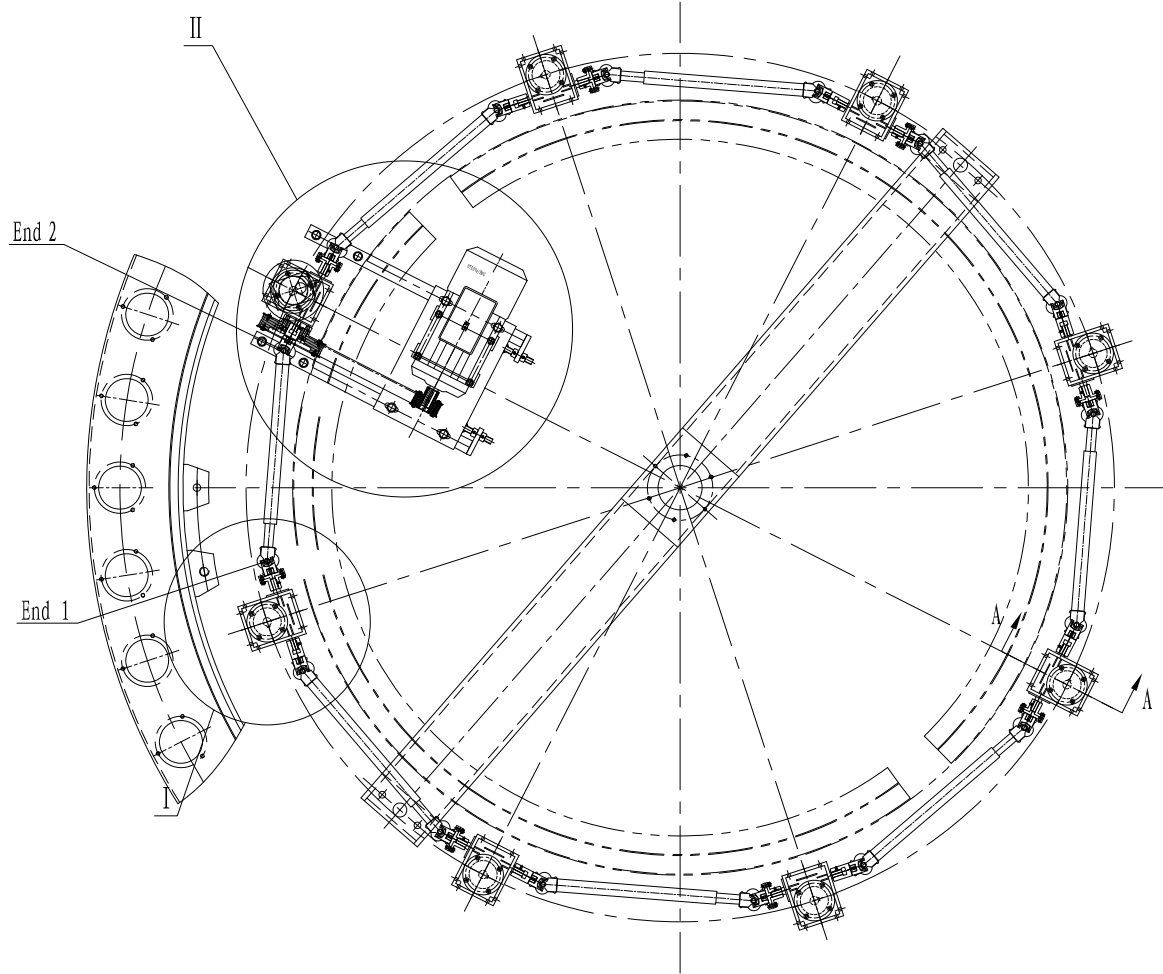


No.	Code	Description	名 称	QTY.	Remark
1	TFC4016.64A.02A.20.01	Tube	螺杆管	1	
2	GB/T812	Nut M30×1.5	圆螺母M30×1.5	2	
3	DIN32676	Joint 3/4"	卡箍式活接3/4"	5	L=25.4
4	5BH15-1G0A1GB041A1	DOSIMAG DN15 Flowmeter	DOSIMAG DN15 流量计	1	E+H
5	TFC4016.64A.02A.20.02	Tube	弯管	1	
6		Manual Butterfly Valve φ19x1.5	焊接式手动蝶阀 φ19x1.5	1	
7		Tube φ19x1.5	内抛光外亚光管 φ19x1.5	1	L=760.65(on site)

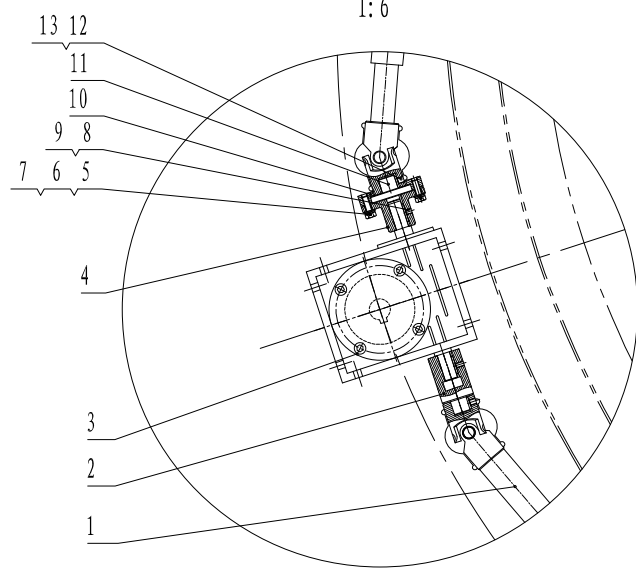


No.	Code	Description	名 称	QTY.	Remark
1	TFC4016.64A.02.21-01	Pin	销	32	
2	GB/T 6170	nut M5	螺母 M5	32	
3	GB/T93-1987	Spring Washer 5	弹簧垫圈 5	32	
4	TFC4016.64A.02.21-02	Frame	围框单元	8	
5	TFC4016.64A.02A.21-03	Column	立柱	8	
6	TFC4016.64A.02.21-04	Pin	销	16	
7	GB/T93-1987	Spring Washer 12	弹簧垫圈 12	8	
8	GB/T70.3-2000	Screw M12x20	内六角沉头螺钉M12x20	8	
9	TFC4016.64A.02A.21-06	Cover Plate	顶盖板	8	
10	DGXB16.02.18-05	Baffle Plate	挡板	8	
11	GB/T70.1-2000	Screw M5x12	内六角圆柱头螺钉M5x12	32	
12	DGXB16.02.18-06	Spacer Plate	垫板	16	
13	GB/T70.1-2000	Screw M8x20	内六角圆柱头螺钉M8x20	32	
14	QB/D20045	Handle	大拉手	16	
15	DGXB16.02.18-07	Plate	外圆板	40	
16	DGXB16.02.18-08	Plate	内圆板	40	
17	GB/T70.2-2000	Screw M4x12	内六角平圆头螺钉M4x12	80	

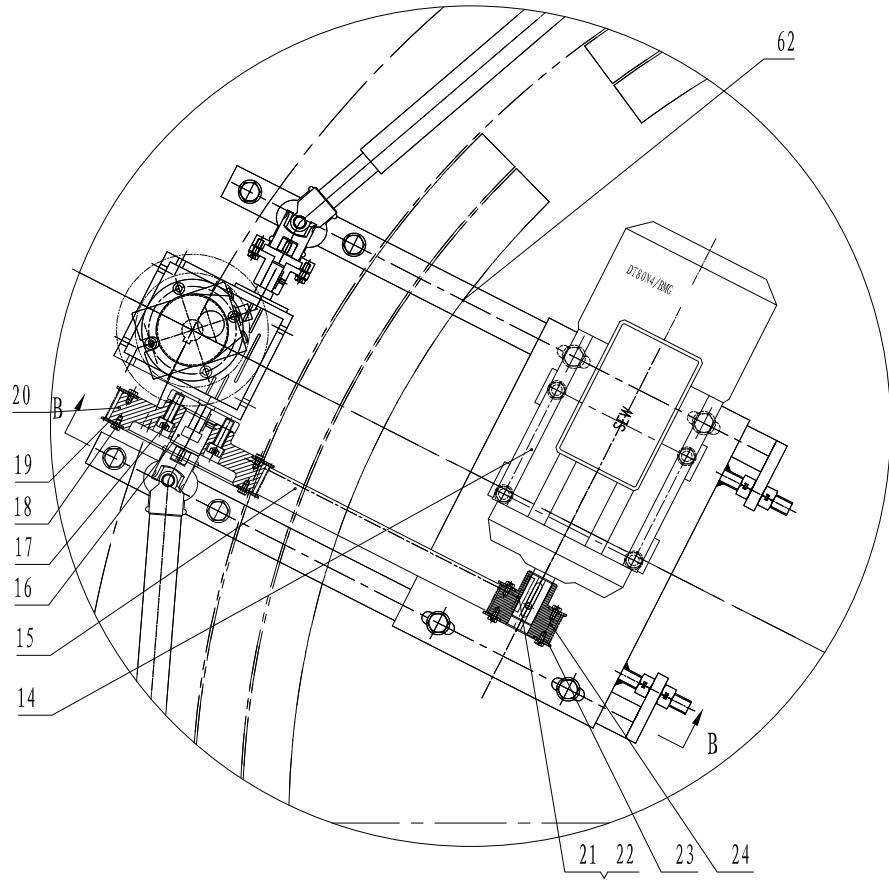




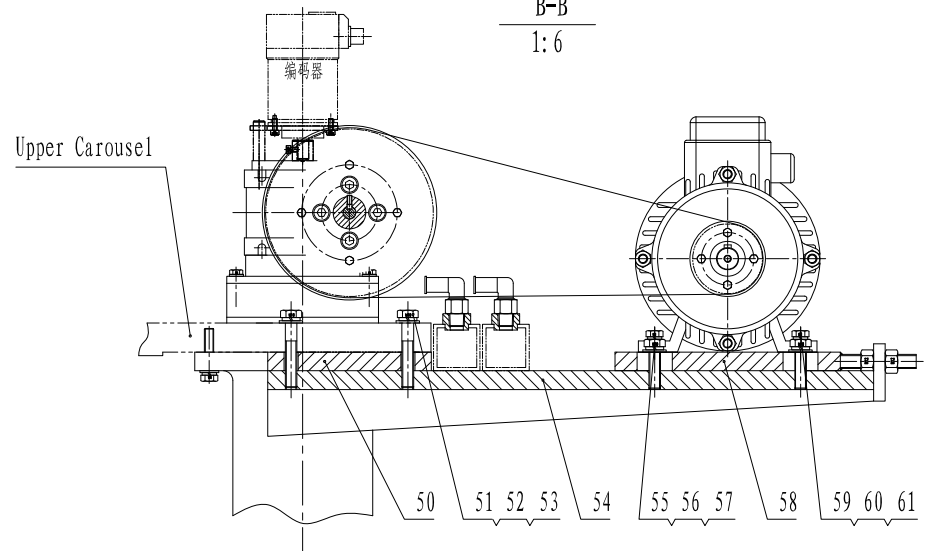
I
1:6



II
1:6



B-B
1:6

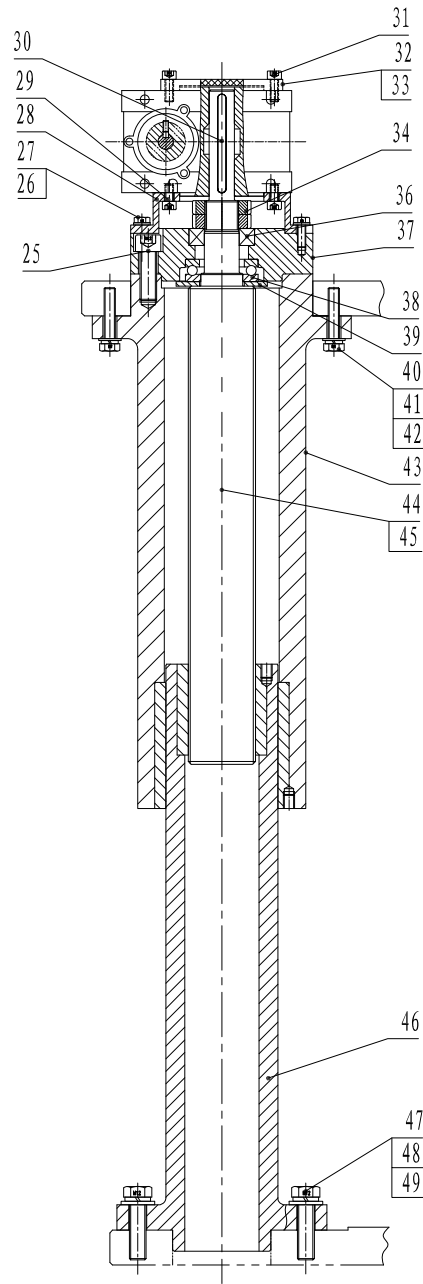


TECH-LONG
Runs for you!

TFC4016. 64A. 02E. 01
Lifting Device

A-A

1:5



TECH-LONG
Runs for you!

TFC4016. 64A. 02E. 01

Lifting Device

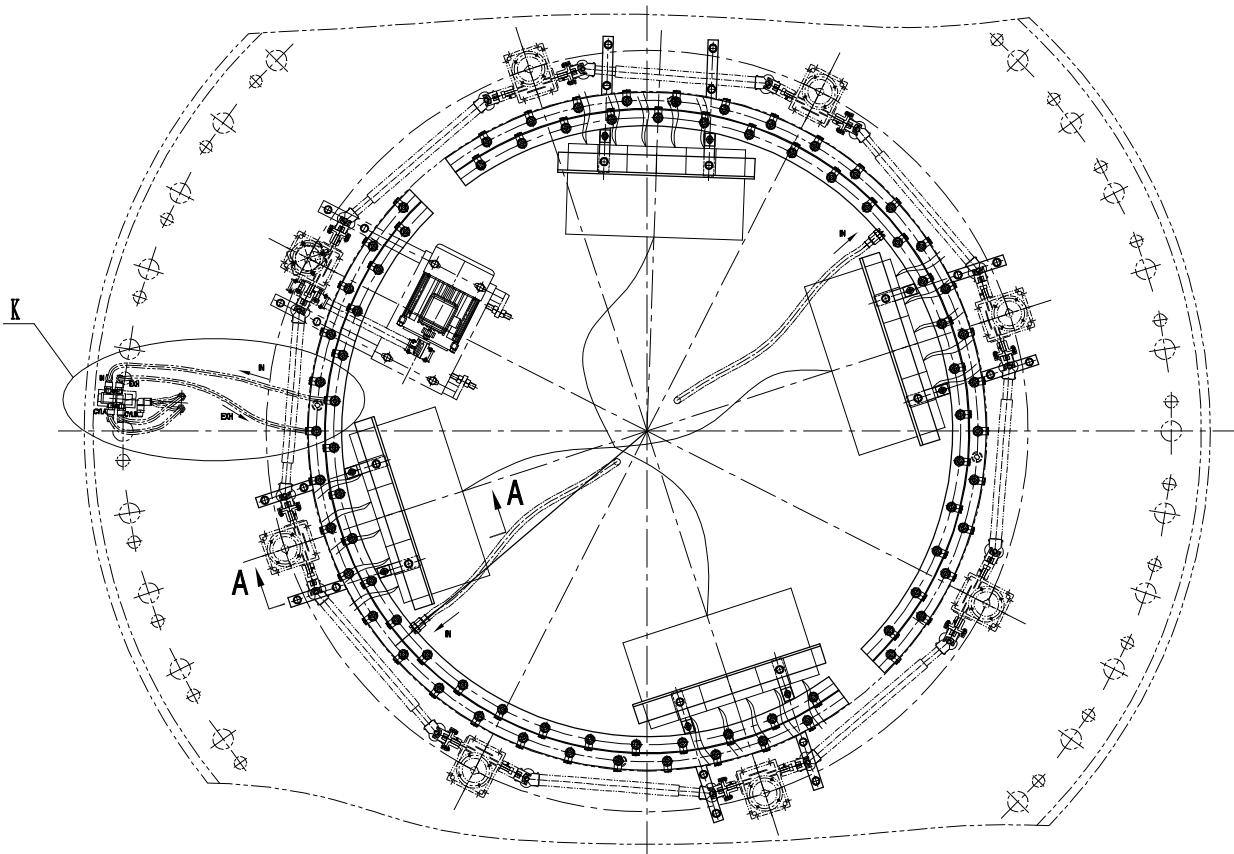
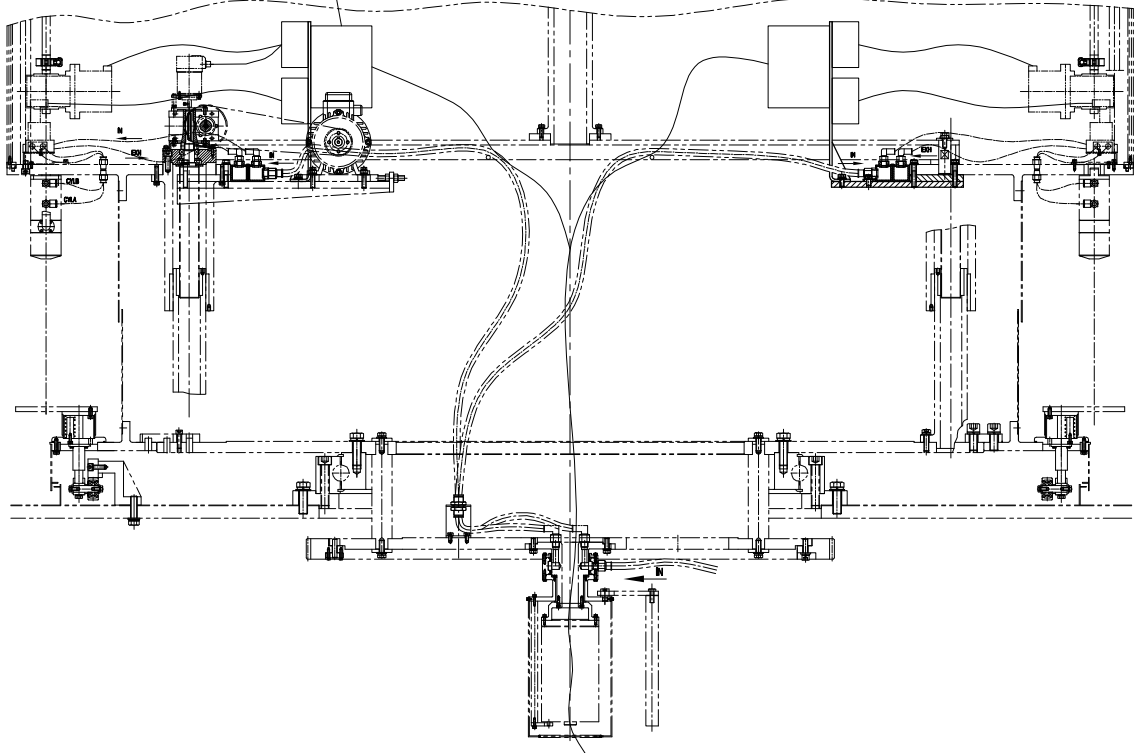
No.	Code	Description	名称	QTY.	Remark
1	SJP-14KT(L=500 ⁺⁸⁰ ₀)	Connector	精密伸缩万向接头(带防护套)	8	
2	DGXB16.02.19-01	Connection Shift 1	连接轴1	7	
3	NRV040-040-VS	Gearbox	减速机(双向输入轴)	8	MOTOVARIO
4	DGXB16.02.19-02	Connection Flange	连接法兰	8	
5	GB/T5783	Bolt M5×16	螺栓M5×16	32	
6	GB/T97.1	Washer 5	垫圈5	32	
7	GB/T93	Washer 5	垫圈5	32	
8	GB/T1096	Key 4×16	键4×16	16	
9	GB/T77	Screw M4×5	螺钉M4×5	16	
10	DGXB16.02.19-03	Cover	压盖	8	
11	DGXB16.02.19-04	Connection Shift 2	连接轴2	8	
12	GB/T1096	Key 5×10	键5×10	16	
13	GB/T77	Screw M5×5	螺钉M5×5	16	
14	DT80N4/BMG-B3/270°	Motor (0.75kW)	电机(0.75kW, 卧式, 带制动)	1	SEW
15	390H100	Synchronization	同步带	1	
16	DGXB16.02.19-07	Connection Shift 3	连接轴3	1	
17	GB/T70.1	Screw M8×25	螺钉M8×25	4	
18	GB/T5783	Bolt M4×6	螺栓M4×6	16	
19	TFC4016.64A.02B.02-02	Baffle Plate 1	挡板1	2	
20	TFC4016.64A.02B.02-03	Wheel 1, Synchronization Belt	同步带轮1	1	
21	GB/T1096	Key 6×32	键6×32	1	
22	GB/T77	Screw M6×10	螺钉M6×10	1	
23	TFC4016.64A.02B.02-04	Baffle Plate 2	挡板2	2	
24	TFC4016.64A.02B.02-05	Wheel 2, Synchronization Blet	同步带轮2	1	
25	GB/T70.1	Screw M12×35	螺钉M12×35	32	
26	GB/T5783	Bolt M6×16	螺栓M6×16	32	
27	GB/T97.1	Washer 6	垫圈6	32	
28	TFC4016.64A.02B.02-01	Flange	输出法兰	8	
29	GB/T70.1	Screw M6×12	螺钉M6×12	32	
30	GB/T1096	Key 6×70	键6×70	8	
31	GB/T70.1	Screw M6×16	螺钉M6×16	31	
32	DGXB16.02.19-11	Dust Proof cover A	防尘盖A	7	
33	DGXB16.02.19-12	Dust Proof Cover B	防尘盖B	1	
34	GB/T810	Nut M24×1.5	小圆螺母M24×1.5	16	



No.	Code	Description	名称	QTY.	Remark
36	GB/T276	Bearing 6005-2RZ	轴承6005-2RZ	8	25 × 47 × 12
37	DGXB16.02.19-13	Bearing Seat	轴承座	8	
38	GB/T301	Bearing 51206	轴承51206	8	30 × 52 × 16
39	DGXB16.02.19-14	Washer	挡圈	8	
40	GB/T5783	Bolt M8 × 40	螺栓M8 × 40	32	
41	GB/T97.1	Washer 8	垫圈8	32	
42	GB/T93	Washer 8	垫圈8	32	
43	TFC4016.64A.02.22.01	Mounting Seat	安装座	8	
44	TFC4016.64A.02.22-02	Screw A	螺杆A	7	
45	TFC4016.64A.02.22-03	Screw B	螺杆B	1	
46	TFC4016.64A.02.22.04	Nut Seat	螺母座	8	
47	GB/T5783	Bolt M12 × 45	螺栓M12 × 45	24	
48	GB/T97.1	Washer 12	垫圈12	24	
49	GB/T93	Washer 12	垫圈12	24	
50	TFC4016.64A.02.22-05	Spacer Plate	垫板	2	
51	GB/T5782	Bolt M10 × 60	螺栓M10 × 60	4	
52	GB/T97.1	Washer 10	垫圈10	4	
53	GB/T93	Washer 10	垫圈10	4	
54	TFC4016.64A.02.22.06	Supporting Plate 1	支撑板1	1	
55	GB/T5783	Bolt M10 × 35	螺栓M10 × 35	4	
56	GB/T97.1	Washer 10	垫圈10	4	
57	GB/T93	Washer 10	垫圈10	4	
58	TFC4016.64A.02.22-07	Spacer Plate, Motor	电机垫板	1	
59	GB/T5783	Bolt M8 × 25	螺栓M8 × 25	4	
60	GB/T97.1	Washer 8	垫圈8	4	
61	GB/T93	Washer 8	垫圈8	4	
62	TFC4016.64A.02.22.08	Supporting Plate 2	支撑板2	1	



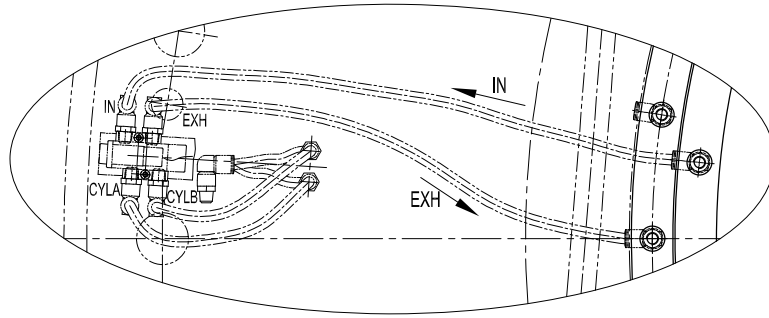
High Speed I/O module



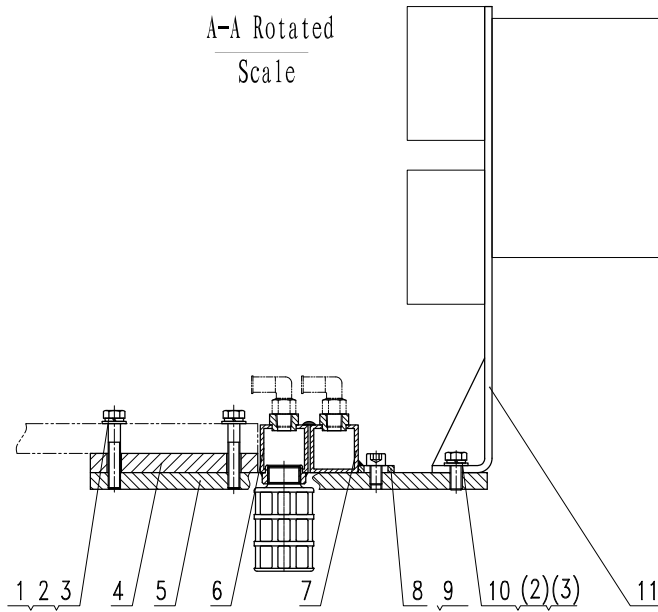
TECH-LONG
Runs for you!

TFC4016. 64A. 02C. 02
Electric Control System

Detail K
40 Units

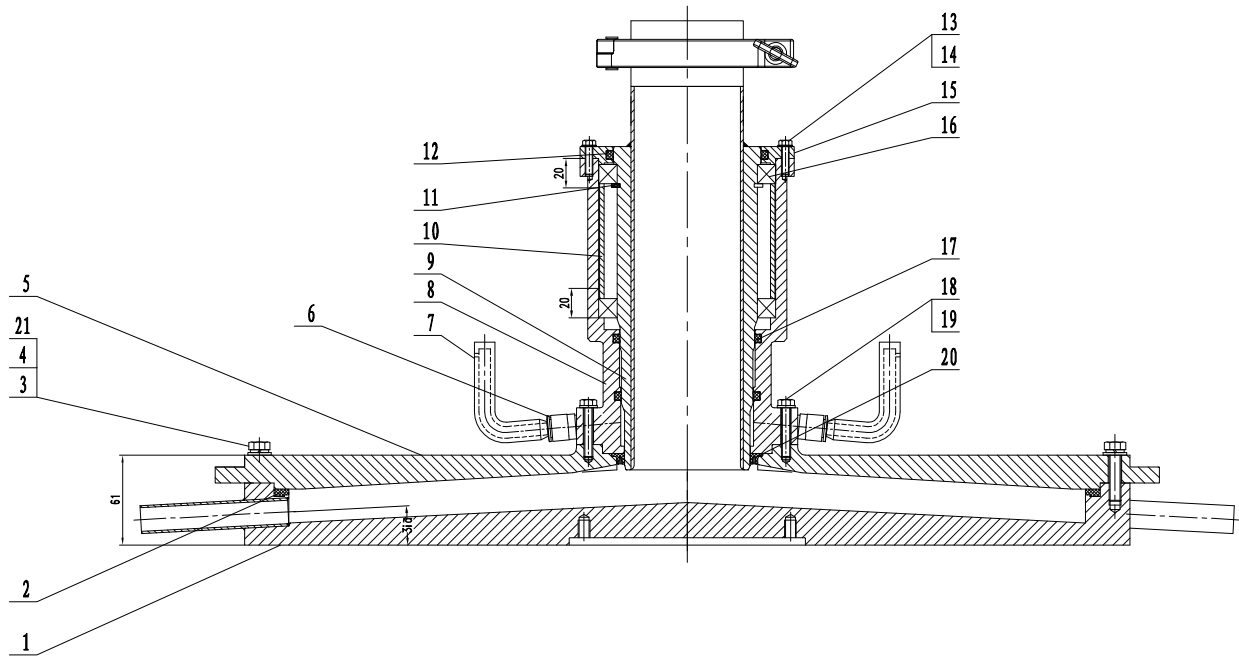


A-A Rotated
Scale



No.	Code	Description	名称	QTY.	Remark
1	GB/T5782	Bolt M10×60	螺栓M10×60	16	
2	GB/T97.1	Washer 10	垫圈10	24	
3	GB/T93	Washer 10	垫圈10	24	
4	TFC4016.64A.02.22-05	Spacer Plate	垫板	8	
5	TFC4016.64A.02.23-01	Supporting Plate	支撑板	8	
6	TFC4016.64A.02C.02.01	Outtake Tube	排气管	1	
7	TFC4016.64A.02.23.03	Intake Tube	进气管	1	
8	TFC4016.64A.02.23-04	Fixing Block	固定块	8	
9	GB/T70.1	Screw M10×16	螺钉M10×16	8	
10	GB/T5783	Bolt M10×25	螺栓M10×25	8	
11	TFC4016.64A.02.23.05	Bracket	支架	4	





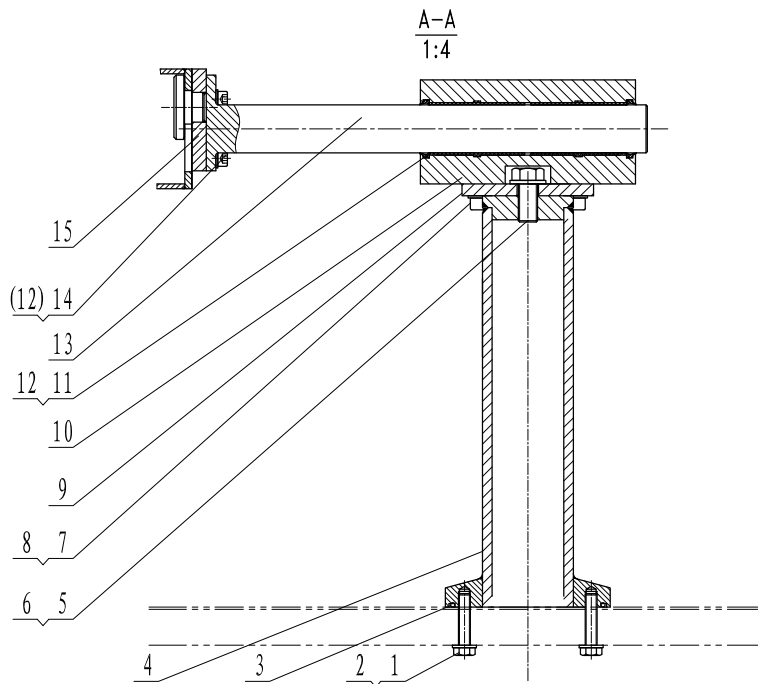
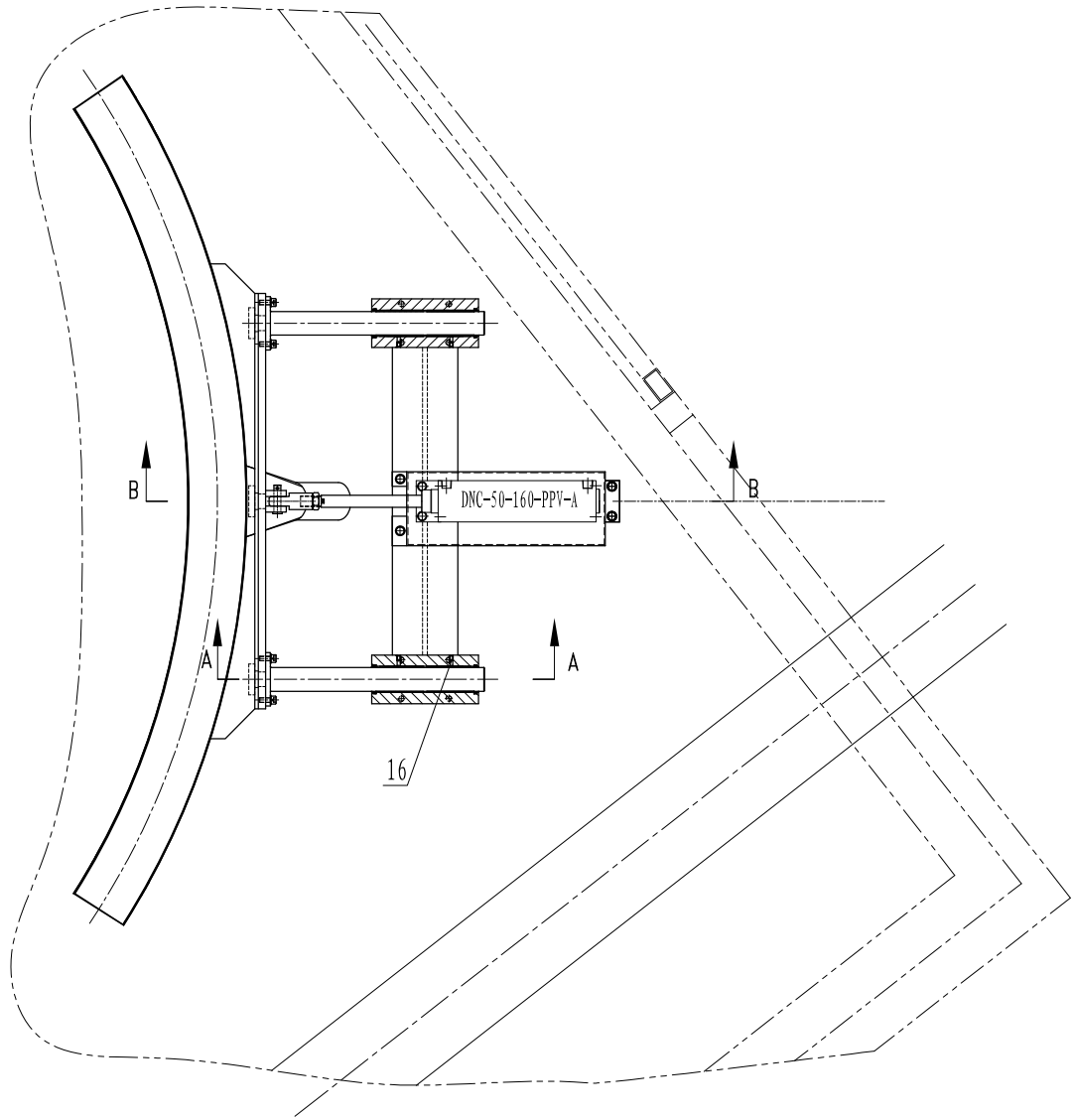
No.	Code	Description	名 称	QTY.	Remark
1	TFC4016. 64A. 02. 25A. 01	Base	底盘	1	
2	DG × B16. 02. 23-02	Seal	密封圈	1	
3	GB/T5783	Bolt M8 × 20	螺栓M8 × 20	16	
4	GB/T97.1	Washer 8	平垫圈8	16	
5	TFC4016. 64A. 02. 25A-02	Cover	顶盖	1	
6	KQGH10-02S	Joint R1/4-10	快插式螺纹接头R1/4-10	2	SMC
7	DG × B16. 02. 23-04	Tube	有机玻璃管	2	
8	DG × B16. 02. 23-05	Shell	外壳	1	
9	DG × B16. 02. 23. 06	Shaft	内轴	1	
10	DG × B16. 02. 23-07	Bushing	衬套	1	
11	GB/T894.2	Washer 95	轴用弹性挡圈95	1	
12	QRAR04345-V7002	Ring	星形圈	1	B+S
13	GB/T5782	Bolt M5 × 16	螺栓M5 × 16	4	
14	GB/T97.1	Washer 5	平垫圈5	4	
15	DG × B16. 02. 23-08	Side Plate	端盖	1	
16	GB/T276	Bearing 61819-2LS	轴承61819-2LS	2	95 × 120 × 13
17	QRAR04342-V7002	Ring	星形圈	2	B+S
18	GB/T5782	Bolt M6 × 40	螺栓M6 × 40	8	
19	GB/T97.1	Washer 6	平垫圈6	8	
20	TVYXK60014 (Fill PTFE)	Seal	特康旋转泛塞密封	1	B+S



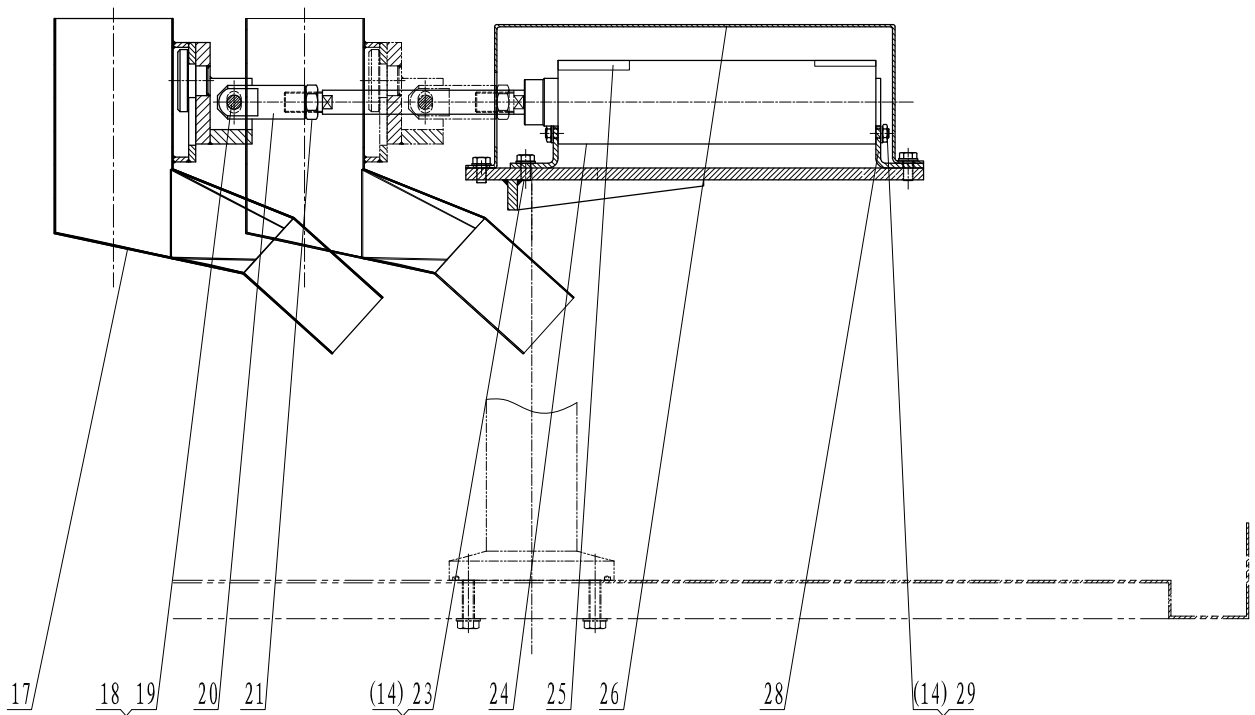
TECH-LONG
Runs for you!

TFC4016. 64A. 02. 25A

Upper Distributor



B-B
1:4

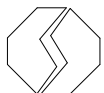
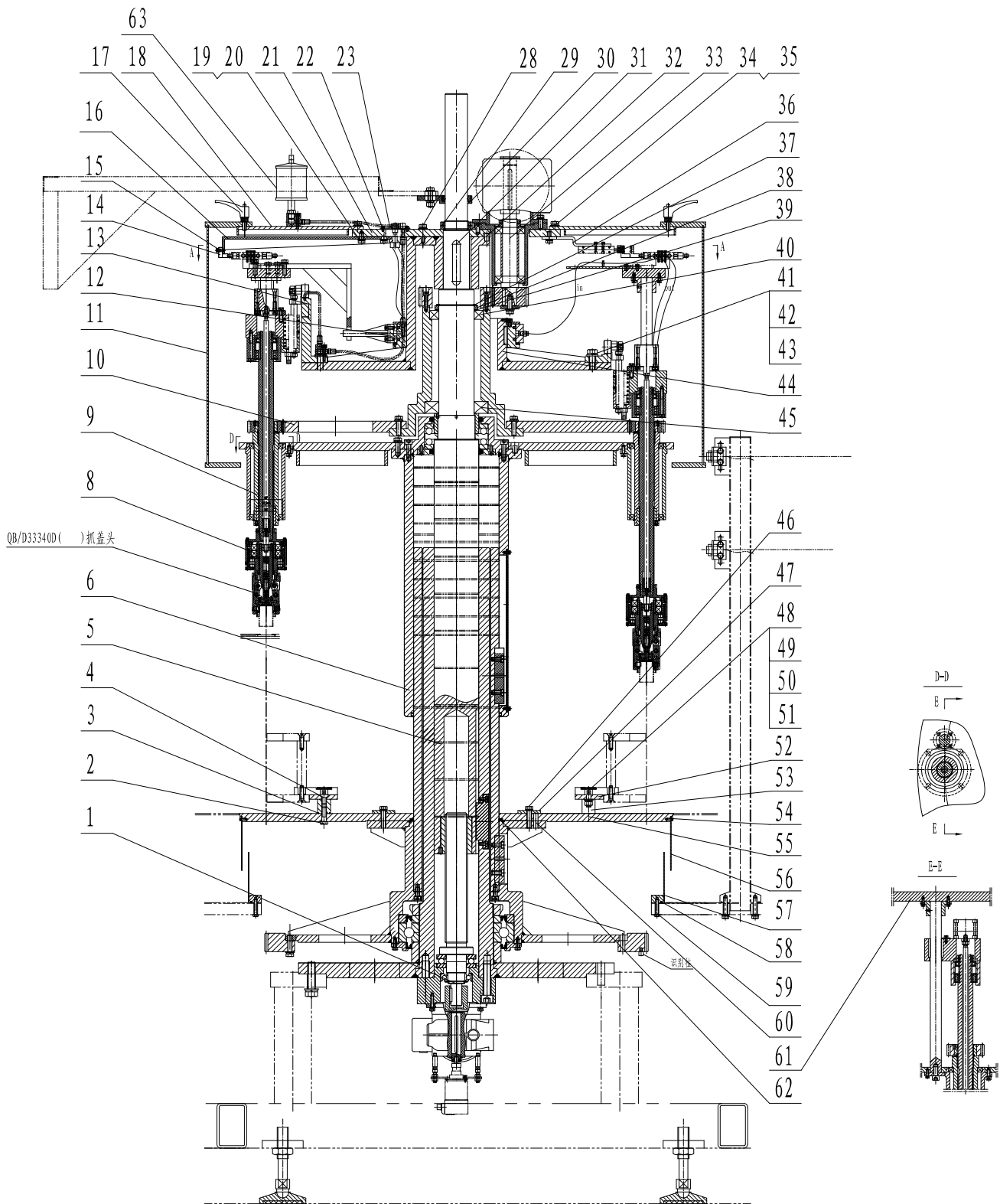


TECH-LONG
Runs for you!

TFC4016.64A.02.30A
CIP Assembly

No.	Code	Description	名称	QTY.	Remark
1	GB/T5782-2000	Bolt M10x45	螺栓M10x45	6	
2	GB/T97.1-1985	Flat Washer 10	平垫圈10	6	
3	GB/T3452.1-1992	O Seal 122x3.55	O型密封圈122x3.55	2	
4	TFC4016.64A.02.30.01	Column	支柱	2	
5	GB/T5783-2000	Bolt M16x35	螺栓M16x35	2	
6	GB/T97.1-1985	Flat Washer 16	平垫圈16	2	
7	GB/T70.1-2000	Screw M10x25	内六角螺钉M10x25	8	
8	GB/T97.1-1985	Flat Washer 10	平垫圈10	8	
9	TFC4016.64A.02.30.02A	Plate	横梁	1	
10	TFC4016.64A.02.30-03	Bearing Seat	轴承座	2	
11	JUM-01-40	Bearing	线性轴承	4	
12	89187	∅40 Gasket	∅40防尘圈	4	
13	DGXB16.02.25-04	Stem	导杆	2	
14	GB/T97.1-1985	Flat Washer 8	平垫圈8	18	
15	DGXB16.02.25.05	Plate	连接板	1	
16	GB/T77-2000	Screw M6x8	凹端紧定螺钉M6x8	4	
17	DGXB16.02.25.06	Tank	接液槽	1	
18	GB/T882-1986	Pin 12x45	销轴12x45	1	
19	GB/T91-2000	Pin 4x18	开口销4x18	1	
20	DGXB16.02.25-07A	Joint	肘节接头	1	
21	GB/T6173-2000	Nut M16x1.5	六角薄螺母细牙M16x1.5	1	
22					
23	GB/T5783-2000	Bolt M8x16	螺栓M8x16	6	
24	DNC-50-160-PPV-A	Cylinder	气缸	1	
25	SME-8-K-LED-24	Switch	行程开关	2	
26	TFC4016.64A.02.30A-01	Shield	防护罩	1	
27					
28	DGXB16.02.25-10A	Bracket	脚架	2	
29	GB/T6172.1-2000	Nut M8	薄螺母M8	4	



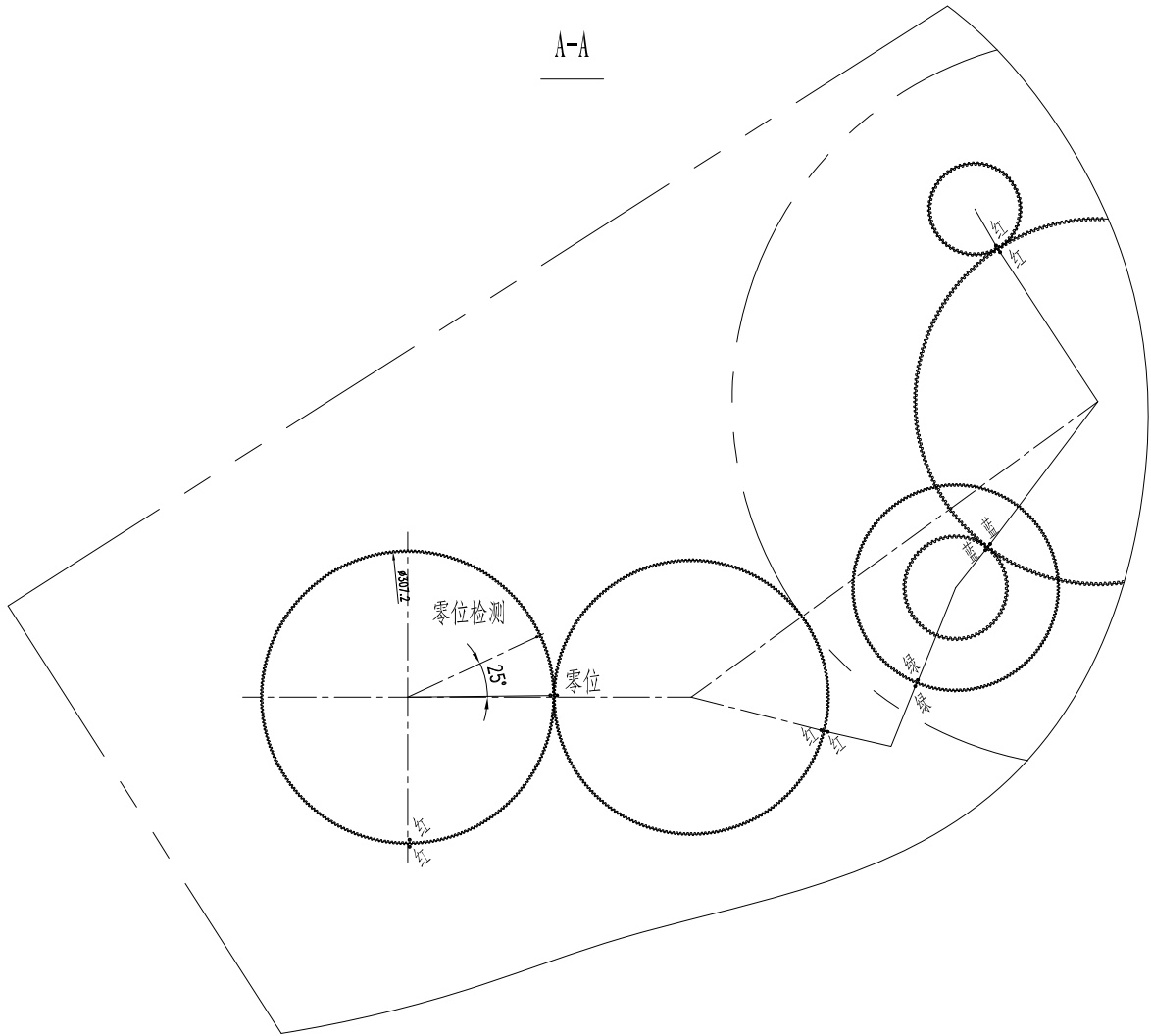


TECH-LONG
Runs for you!

TFC4016. 64A. 03E

Copper

A-A

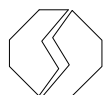


TECH-LONG
Runs for you!

TFC4016.64A.03E

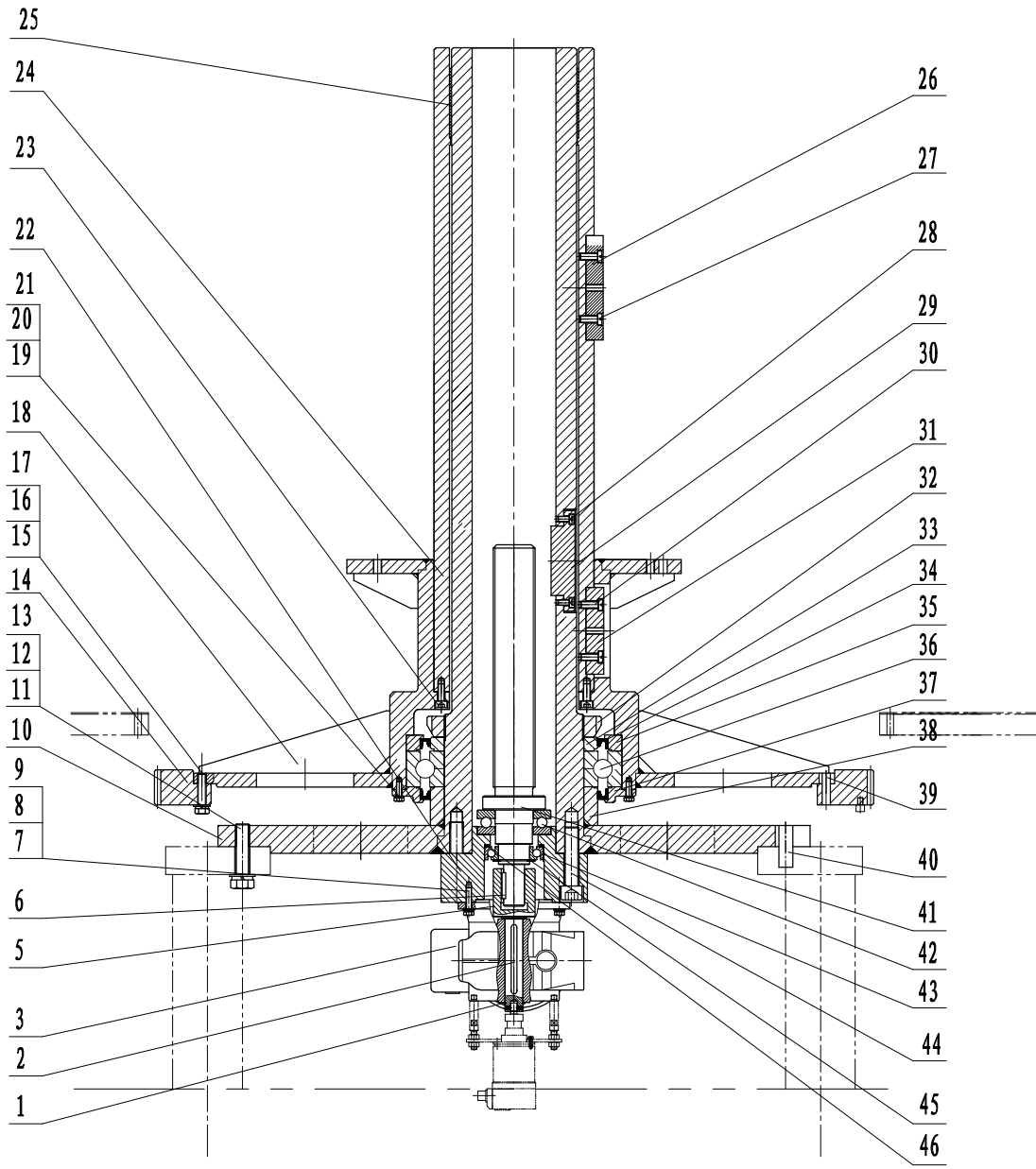
Capper

No.	Code	Description	名称	QTY.	Remark
1	TFC4016.64A.03C.01	Lifting Device	升降装置	1	
2	GB/T27	Bolt M12X40	六角头铰制孔用螺栓M12×40	6	
3	GB/T3452.1	O Seal 28X1.8	O形密封圈28×1.8	6	
4	GB/T70.3	Screw M12X16	内六角沉头螺钉M12×16	6	
5	TFC4016.64A.03C.02	Main Shaft	主轴	1	
6	TFC4016.64A.03.03	Rotary Assembly	旋转组件	1	
7					
8	QB/D33300C	Capping Clutch	旋盖头	16	
9	QB/D33400E	Capping Arm	旋盖臂	16	
10	TFC4016.64A.03.04	Gear	双联齿轮	1	
11	TFC4016.64A.03A.05	Frame	上围框	1	
12	TFC4016.64A.03B.02	Distributor	分配器	1	
13	TFC4016.64A.03A-07(项目编号)	Cam	凸轮	1	
14	TFC4016.64A.03E-01	Block	撞块	1	
15	GB/T70.1	Screw M6X16	螺钉M6×16	2	
16	TFC4016.64A.03B-03	Plate	固定板	1	
17	234521-C6 ERX.78 p-M10×25-C6	Hamdle	带红色按钮的可调节手柄	12	E+G
18	TFC4016.64A.03-11	Plate	围框固定板	1	
19	GB/T5783	Bolt M12X35	螺栓M12×35	4	
20	GB/T97.1	Washer 12	垫圈12	4	
21	TFC4016.64A.03A-12	Plate	顶板	1	
22	GB/T70.1	Screw M5X8	螺钉M5×8	6	
23	TFC4016.64A.03-13	Plate	盖板	2	
24					
25					
26					
27					
28	GB/T5783	Bolt M12X35	螺栓M12×35	5	
29	GB/T810	Not M64X2	小圆螺母M64×2	2	
30	TFC4016.64A.03C.03A	Anti-Vibration Device	防振装置	1	
31	GB/T1096	Key 20X12X120	键20×12×120	1	



No.	Code	Description	名称	QTY.	Remark
32	GB/T119.2	Pin 12X20	圆柱销12×20	1	
33	TFC4016.64A.03C.04	Motor Assembly	高速旋盖电机组件	1	
34	GB/T5783	Bolt M12X30	螺栓M12×30	8	
35	GB/T97.1	Washer 12	垫圈12	8	
36	TFC4016.64A.03B.04	Cylinder	无盖不抓盖气缸装置	1	
37	GB/T894.1	Retainer 95	挡圈95	1	
38	TFC4016.64A.03-17	Ring	压紧环	1	
39	D110	Spring	波形弹簧	1	上海核工
40	GB/T276	Bearing 6019-2LS	轴承 6019-2LS	1	
41	GB/T5783	Bolt M16X40	螺栓M16×40	8	
42	GB/T97.1	Washer 16	垫圈16	8	
43	GB/T93	Washer 16	垫圈16	8	
44	TFC4016.64A.03-18	Cam Seat	凸轮座	1	
45	GB/T276	Bearing 6219-2LS	轴承6219-2LS	1	
46	GB/T5783	Bolt M12X40	螺栓M12×40	8	
47	TFC4016.64A.03-19	Spacer	垫片	8	
48	TFC4016.64A.05A-02	Post	限位柱	12	
49	GB/T6170	Nut M12	螺母M12	12	
50	GB/T97.1	Washer 12	垫圈12	12	
51	GB/T93	Washer 12	垫圈12	12	
52	TFC4016.64A.03-20	Plate	星轮托板	1	
53	TFC4016.64A.03-21	Column	圆柱	6	
54	GB/T70.1	Screw M5X8	螺钉M5×8	12	
55	TFC4016.64A.03-22	Plate	托板	1	
56	TFC4016.64A.03-23	Frame Plate	上围板	1	
57	TFC4016.64A.03.24	Frame Plate	下围板	1	
58	JB/ZQ4609	Rubber 4X3600	圆橡胶4×3600	1	
59	GB/T5783	Bolt M8X40	螺栓M8×40	8	
60	GB/T119.2	Pin 12X40	圆柱销12×40	1	
61	TFC4016.64A.03E.02	Fixing Bracket	杠杆阀固定架	1	
62	GB/T3452.1	O Seal 230X7.0	O形密封圈230×7.0	1	
63	TFC4016.64A.03B.06	Cam Lubrication Device	凸轮给油装置	1	





No.	Code	Description	名称	QTY.	Remark
1	GB/T894.1	Washer 25	挡圈25	1	
2	GB/T1096	Key 8×10	键8×10	1	
3	SAF47DT80N4/BMG-M6A270°	Geared Motor 0.75kW, i=47.32	减速电机0.75kW, i=47.32	1	SEW(φ25空心轴输出)
4					
5	TFC4016.64A.03B.01-01	Shaft	轴	1	
6	GB/T1096	Key 8×40	键8×40	1	
7	GB/T5783	Bolt M8×35	螺栓M8×35	4	
8	GB/T97.1	Washer 8	垫圈8	4	
9	GB/T93	Washer 8	垫圈8	4	
10	TFC4016.64A.03C.01-01	Shaft	轴	1	
11	GB/T5783	Bolt M20×80	螺栓M20×80	8	
12	GB/T97.1	Washer 20	垫圈20	8	
13	GB/T93	Washer 20	垫圈20	8	
14	TFC4016.64A.03.01-03	Gear Wheel	齿轮	1	
15	GB/T5783	Bolt M12×50	螺栓M12×50	12	
16	GB/T97.1	Washer 12	垫圈12	12	
17	GB/T93	Washer 12	垫圈12	12	
18	TFC4016.64A.03.01-04	Mounting Seat	安装座	1	
19	GB/T5783	Bolt M8×20	螺栓M8×20	8	
20	GB/T97.1	Washer 8	垫圈8	8	
21	GB/T93	Washer 8	垫圈8	8	
22	TFC4016.64A.03B.01-02	Flange	法兰	1	
23	GB/T70.1	Screw M10×25	螺钉M10×25	6	
24	TFC4016.64A.03.01-06	Column	圆柱	1	
25	180100DU	DU Column Sleeve	DU 圆柱套	1	GGB
26	TFC4016.64A.03.01-07	Slip Key	滑键	1	
27	GB/T65	Screw M10×25	螺钉M10×25	2	
28	GB/T70.1	Screw M8×16	螺钉M8×16	2	
29	TFC4016.64A.03.01-08	Slip Key	滑键	1	
30	GB/T65	Screw M10×25	螺钉M10×25	2	
31	TFC4016.64A.03.01-09	Slip Key	滑键	1	
32	GB/T812	Nut M200×3	圆螺母M200×3	1	
33	TFC4016.64A.03.01-10	Ring	环	1	
34	GB/T13871	Seal B240×270×15	密封圈B240×270×15	2	



No.	Code	Description	名称	QTY.	Remark
35	TFC4016.64A.03.01-11	Ring	环	1	
36	GB/T294	Bearing QJ1040	四点接触轴承 QJ1040	1	200 × 310 × 51
37	TFC4016.64A.03.01-12	Ring	环	1	
38	TFC4016.64A.03.01-13	Ring	环	1	
39	GB/T119.2	Pin 12 × 45	销12 × 45	1	
40	GB/T119.2	Pin 10 × 60	销10 × 60	1	
41	TFC4016.64A.03.01-14	Screw	螺杆	1	
42	GB/T301	Bearing 51311	轴承51311	1	55 × 105 × 35
43	GB/T292	Bearing 7209AC	轴承7209AC	1	45 × 85 × 19
44	GB/T70.1	Screw M20 × 85	螺钉M20 × 85	4	
45	GB/T894.1	Washer 45	挡圈45	1	
46	D85	Spring	波形弹簧	1	



A

