



Industrial/Commercial Division
Fulton Boiler Works, Inc.

Fulton Horizontal and Vertical Condensate Return Systems and Blow-Down Separators

A complete line of condensate return systems for safe, trouble-free condensate return for boilers from 1 HP to 400 HP.

Fulton blow-down separators are designed for safe boiler blow-down. Fulton blow down separators are available for boilers from 1 HP to 400 HP.

Built/certified in accordance
to ASME Boiler and Pressure Vessel Code



Horizontal Condensate Return Systems

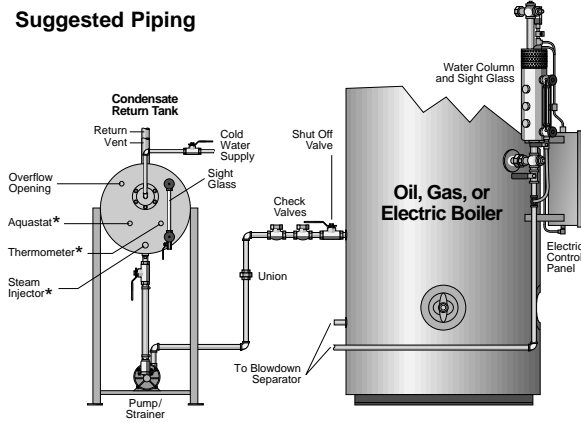
Designed For All Boilers From 1 HP Up to 400 HP

Fulton condensate return systems are completely assembled with tank, stand, high pressure pump, motor strainer, float valve, shut-off valve, gauge glass assembly, with overflow and drain openings.

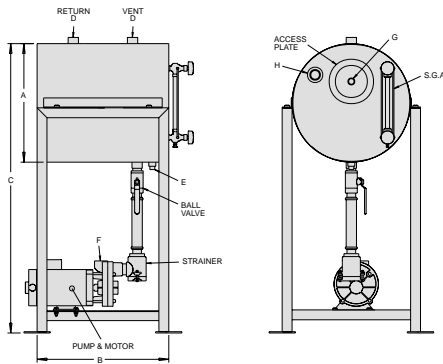
Features

- Heavy gauge properly sized tanks built for quick installation and removal or replacement.
- Heavy duty feed water pump.
- Rigid welded support frame.

Suggested Piping



*Supplied With Optional Preheat Kit Assembly



Specifications/Dimensions/Connections

Model HT	8	10	20	30	50	60	80	100	150	200	250	300	350	400
For Boiler Size	8	10	20	30	50	60	80	100	150	200	250	300	350	400
HP	1-7.5	8-12.5	13-21	22-30	31-50	51-60	61-80	81-100	101-150	151-200	201-250	251-300	301-350	351-400
Full Capacity	22	33	40	46	71	94	128	147	220	220	317	317	432	432
U.S. GALLONS														
LITERS	83	125	151	174	269	356	485	556	833	833	1200	1200	1635	1635
Weight	130	160	180	195	325	465	560	650	1190	1190	1430	1430	1670	1670
LBS														
KGS	59	73	82	89	148	211	254	295	540	540	649	649	757	757
DIMENSIONS														
(A) Tank Dia.	18	18	18	18	24	24	28	30	30	30	36	36	42	42
IN														
MM	457	457	457	457	610	610	711	762	762	762	914	914	1067	1067
(B) Tank Length	20	30	36	42	36	48	48	48	72	72	72	72	72	72
IN														
MM	610	762	914	1067	914	1219	1219	1219	1829	1829	1829	1829	1829	1829
(C) Overall Height	45	45	45	45	52	52	56	63	63	63	70	70	74	74
IN														
MM	143	1143	1143	1143	1321	1321	1422	1600	1600	1600	1778	1778	1880	1880
CONNECTIONS														
(D) Vent/Return	1.25	1.25	1.25	1.25	2	2	2	2	2	2	2	2	2.50	2.50
IN														
MM	25	32	32	32	51	51	51	51	51	51	51	51	64	64
(E) Drain	.50	.50	.50	.50	1	1	1	1	1	1	1.25	1.25	1.25	1.25
IN														
MM	13	13	13	13	25	25	25	25	25	25	32	32	32	32
(F) Pump Outlet	1	1	1	1	1	1	1	1	*	*	*	*	*	*
IN														
MM	25	25	25	25	25	25	25	25	*	*	*	*	*	*
(G) Cold Water Inlet	.50	.50	.50	.50	.75	.75	.75	.75	.75	.75	.75	.75	1	1
IN														
MM	13	13	13	13	19	19	19	19	19	19	19	19	25	25
†(H) Overflow Opening	1	1	1	1	1	1	1	1	1	1	1	1	1.25	1.25
IN														
MM	25	25	25	25	25	25	25	25	25	25	25	25	32	32
(I) Pump HP														
1 Ph. Motor	.50	.50	.75	1.50	NA	NA	NA	NA	*	*	*	*	*	*
3 Ph. Motor	.50	.50	.75	1.50	3	5	5	7.50	*	*	*	*	*	*
(J) Pump Motor: RPM														
	3450	3450	3450	3450	3450	3450	3450	1725	*	*	*	*	*	*

†Overflow Opening must be piped to drain.

*Consult Factory

Vertical Condensate Return Systems

Designed For Compact Space Saving Applications For Boilers From 1 HP Up to 100 HP

Both horizontal and vertical return systems can be ordered separately or skid mounted and pre-piped to your boiler

Standard pump is good for 180° F maximum water temperature. Pumps for higher temperature water are available upon request.

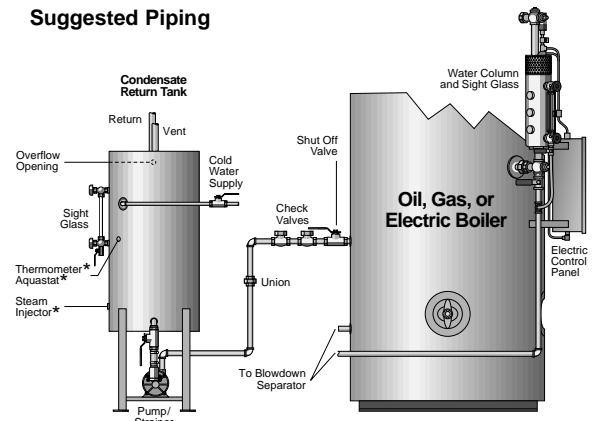


Both the horizontal and the vertical condensate return systems are available in heavy gauge "long lasting" steel only. Vertical tanks have all the same assembly components that the horizontal tanks do.

Features

- Increased pump life under normal operation because of higher head pressure.
- Easily serviced from the top.
- Complete float assembly can be removed without draining tank.

Suggested Piping

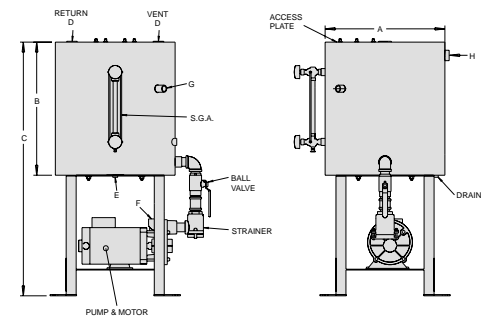


* Supplied With Optional Preheat Kit Assembly
(NOTE: Aquastat Opening Is The Same Dimension Off Centerline Of Sightglass But On Opposite Side)

Specifications/Dimensions/Connection

Model VT	8	10	20	30	50	60	80	100	
For Boiler Size	HP	1-7.5	8-12.5	13-21	22-30	31-50	51-60	61-80	81-130
Full Capacity	U.S. GALLONS	22	33	40	46	71	94	128	147
	LITERS	83	125	151	174	269	356	485	556
Weight	LBS	130	160	180	195	325	465	560	650
	KGS	59	73	82	89	148	211	250	295
DIMENSIONS									
(A) Tank Diameter	IN	18	18	18	18	24	24	28	30
	MM	457	457	457	457	610	610	711	762
(B) Tank Height	IN	20	30	36	42	36	48	48	48
	MM	508	762	914	1067	914	1219	1219	1219
(C) Overall Height	IN	41	51	57	63	59	71	71	73
Floor-Top Of Tank	MM	1041	1295	1448	1600	1499	1803	1803	1854
CONNECTIONS									
(D) Vent/Return	IN	1.25	1.25	1.25	1.25	2	2	2	2
	MM	32	32	32	32	51	51	51	51
(E) Drain	IN	.50	.50	.50	.50	1	1	1	1
	MM	13	13	13	13	25	25	25	25
(F) Pump Outlet	IN	1	1	1	1	1	1	1	1
	MM	25	25	25	25	25	25	25	25
(G) Cold Water Inlet	IN	.50	.50	.50	.50	.75	.75	.75	.75
	MM	13	13	13	13	19	19	19	19
†(H) Overflow Opening	IN	1	1	1	1	1	1	1	1
	MM	25	25	25	25	25	25	25	25
(I) Pump HP									
	1 Ph. Motor	.50	.50	.75	1.50	NA	NA	NA	NA
	3 Ph. Motor	.50	.50	.75	1.50	3	5	5	7.50
(J) Pump Motor:	RPM	3450	3450	3450	3450	3450	3450	3450	1725

†Overflow Opening must be piped to drain.



Optional preheat kits available. Preheat kits consist of sparge tube, ball valve, pressure reducing valve, solenoid valves, aquastat, well, thermometer, strainer, steam gauge assembly. Pressure reducing valve not required for low pressure units. On self-actuated preheat kits, the solenoid, aquastat and well are replaced by self-actuated valve. Not available for low pressure.

HT/VT 50-200 require two (2) sparge injector tubes.

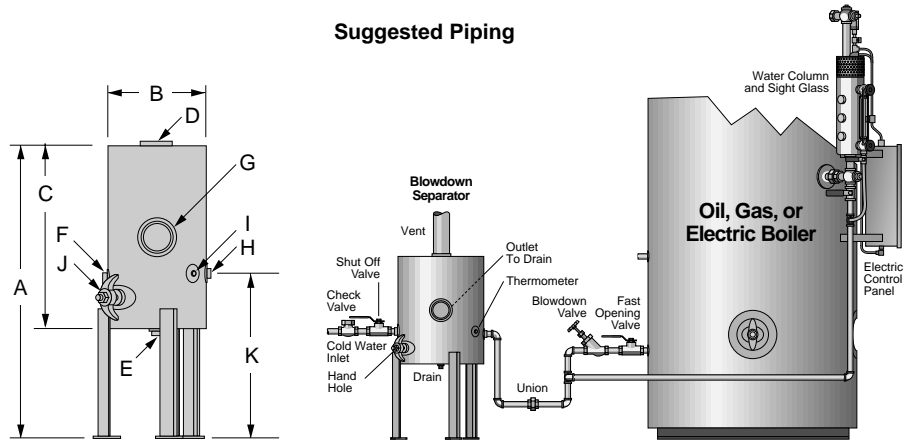
Blow-Down Separators

Constructed with the finest quality materials, all compact Fulton blow-down separators meet or exceed ASME Code and include special features to insure safe boiler blow-down. Fulton Blow-Down Separators also operate with minimum maintenance.

- Baffle plate absorbs steam flash and pressure.
- Steam is expelled safely through vent.
- Water and sludge pass through drain to sewer.
- 3" x 4" handhole for cleaning and inspection.
- Fully welded to ASME Pressure Vessel Code.
- Heavy gauge steel tanks.
- Fast, easy hook-up to boiler.



Suggested Piping



Specifications/Dimensions/Connections

Model F		10	20	30	50	75	100	150	200
For Boiler Size	HP	1-10	11-20	21-30	31-50	51-75	76-100	101-150	151-200
Max. Boiler Pressure		150	150	150	150	150	150	150	150
Capacity	U.S. Gallons	7.9	17.4	22	35.6	40.8	58.75	70.5	157
	LITERS	30	66	83	135	154	222	267	594
Weight	LBS	110	190	200	255	295	415	450	585
	KILOS	50	86	91	116	134	188	204	260
DIMENSIONS									
(A) Height	IN	32	34	34	40	44	44	50	63
	MM	813	864	864	1016	1118	1118	1270	1600
(B) Diameter	IN	10.75	16	18	20	20	24	24	32
	MM	254	406	457	508	508	610	610	813
(C) Tank Height	IN	20	20	20	26	30	30	36	48
	MM	508	508	508	660	762	762	914	1219
(D) Vent	IN	3	3	3	3	4	4	4	5
	MM	76	76	76	76	102	102	102	127
(E) Drain	IN	1.5	1.5	1.5	1.5	1.5	1.5	1.5	2
	MM	38	38	38	38	38	38	38	51
(F) Water Supply	IN	.75	1	1	1	1	1	1	1
	MM	19	25	25	25	25	25	25	25
(G) Outlet	IN	3	3	3	3	3	3	3	3
	MM	76	76	76	76	76	76	76	76
(H) Inlet	IN	1	1.25	1.25	1.50	2	2	2	2
	MM	25	32	32	38	51	51	51	51
(I) Thermometer	IN	.50	.50	.50	.50	.50	.50	.50	.50
	MM	13	13	13	13	13	13	13	13
(J) Hand Hole	IN	3x4	3x4	3x4	3x4	3x4	3x4	3x4	3x4
	MM	76x102	76x102	76x102	76x102	76x102	76x102	76x102	76x102
(K) Inlet Height	IN	16	18	18	18	18	18	18	26
	MM	406	457	457	457	457	457	457	660

Optional cooling kits available. Cooling kits consist of solenoid and ball valve, strainer, thermometer, aquastat, and well.

Larger blow-off separators are available, consult factory.

And don't forget the Fulton name when it comes to boilers; Fulton Oil-Fired, Gas-Fired, and Combination Oil/Gas-Fired Steam and Hot Water Boilers. Fulton Electric Steam and Hot Water Boilers, and Gas Pulse Combustion Steam and Hot Water Boilers for whatever your commercial or industrial system requires.

Industrial/Commercial Division
Fulton Boiler Works, Inc.



3981 Port St., Box 257
Pulaski, New York USA 13142
Call 315-298.5121
Fax 315-298.6390

email: info@fulton.com
web site: www.fulton.com

Fulton Boiler Works, Inc.
Fulton Thermal Corporation

Fulton Boiler Works, Inc. & Fulton Thermal Corporation are part of the Fulton Group of Companies, manufacturers of high grade industrial/commercial heat transfer products.

RS
08/03 2.5M
PP 44681D
Printed in USA